



US00D896195S

(12) **United States Design Patent** (10) **Patent No.:** **US D896,195 S**  
**Zhang et al.** (45) **Date of Patent:** **\*\* Sep. 15, 2020**

(54) **VIDEO NETWORK CONFERENCE  
TELEPHONE APPARATUS**

(71) Applicant: **YEALINK (XIAMEN) NETWORK  
TECHNOLOGY CO., LTD.**, Fujian  
(CN)

(72) Inventors: **Jian Cheng Zhang**, Fujian (CN); **Chun  
Sheng Su**, Fujian (CN); **Jing Feng Su**,  
Fujian (CN)

(73) Assignee: **YEALINK (XIAMEN) NETWORK  
TECHNOLOGY CO., LTD.**, Xiamen  
(CN)

(\*\*) Term: **15 Years**

(21) Appl. No.: **29/626,121**

(22) Filed: **Nov. 15, 2017**

(30) **Foreign Application Priority Data**

Sep. 20, 2017 (CN) ..... 2017 3 0446084

(51) **LOC (12) Cl.** ..... **14-03**

(52) **U.S. Cl.**  
USPC ..... **D14/130; D14/125; D14/129; D14/172;  
D16/202**

(58) **Field of Classification Search**

USPC ..... D14/125-130, 135, 140, 140.11, 142,  
D14/144, 147, 149, 150, 155, 168, 172,  
D14/185, 188, 203.1, 204, 206, 209.1,  
D14/212-217, 221, 226, 240, 242, 257,  
D14/299, 356, 357, 358, 432, 439, 454,  
D14/496; D13/110, 184; D16/202, 203,  
D16/208; D10/104.1, 106.1, 106.3, 106.5  
CPC ..... H04N 7/14; H04N 7/142; H04N 7/147;  
H04N 7/15; H04N 21/00; H04N 21/20;  
H04N 21/40; H04R 1/00; H04R 1/02;  
H04R 1/403; H04R 1/406; H04R 27/00

See application file for complete search history.

(56) **References Cited**

U.S. PATENT DOCUMENTS

D386,505 S \* 11/1997 Maeyama ..... D16/202  
D400,549 S \* 11/1998 Wakefield ..... D16/202  
D497,925 S \* 11/2004 Zhang ..... D16/202  
D551,207 S \* 9/2007 Yano ..... D14/172  
D551,208 S \* 9/2007 Yano ..... D14/172  
D583,356 S \* 12/2008 Schul ..... D14/168  
7,689,197 B2 \* 3/2010 Laude ..... G11B 17/0405  
181/198  
D633,474 S \* 3/2011 Ohashi ..... D14/168

(Continued)

OTHER PUBLICATIONS

Yealink VC200 Smart Video Conferencing Endpoint, online, no  
post date, URL: [https://www.voipon.co.uk/yealink-vc200-smart-  
video-conferencing-endpoint-p-8127.html](https://www.voipon.co.uk/yealink-vc200-smart-video-conferencing-endpoint-p-8127.html), retrieved Aug. 19, 2019.\*

*Primary Examiner* — Jeffrey D Asch

*Assistant Examiner* — Rebekah A Caruso

(57) **CLAIM**

The ornamental design for a video network conference  
telephone apparatus, as shown and described.

**DESCRIPTION**

FIG. 1 is a front, top, left perspective view of a video  
network conference telephone apparatus showing our new  
design;

FIG. 2 is a front elevational view thereof;

FIG. 3 is a rear elevational view thereof;

FIG. 4 is a bottom plan view thereof;

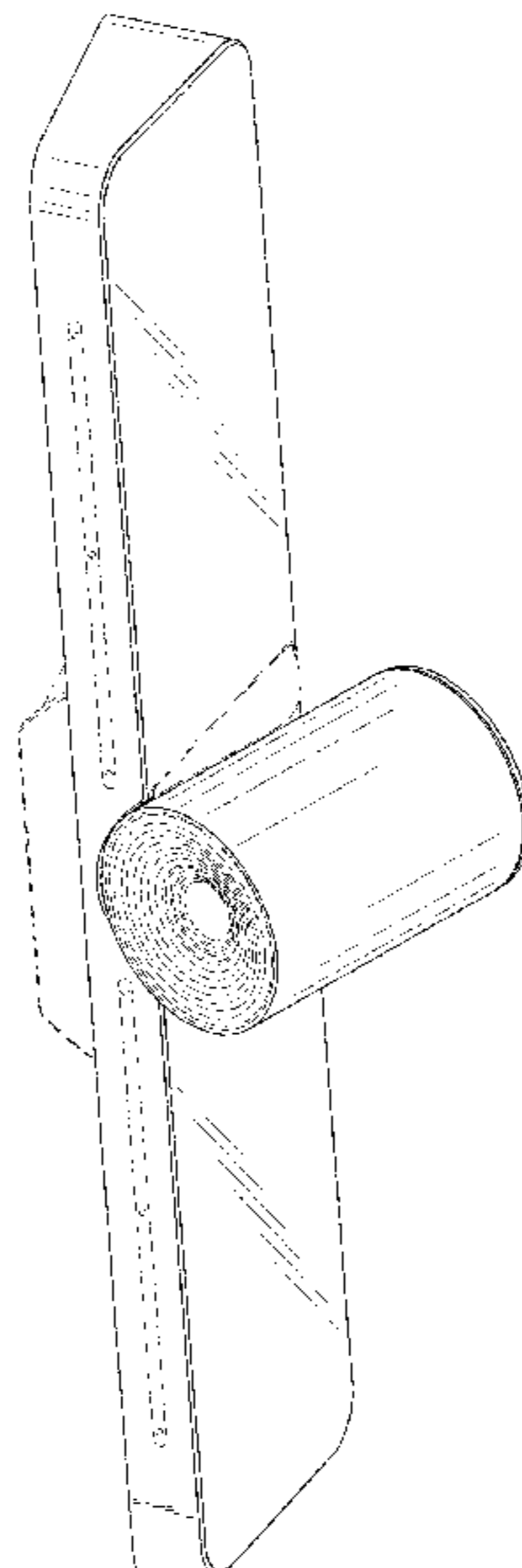
FIG. 5 is a top plan view thereof;

FIG. 6 is a right side elevational view thereof; and,

FIG. 7 is a left side elevational view thereof.

The broken lines illustrate portions of the video network  
conference telephone apparatus which form no part of the  
claimed design.

**1 Claim, 7 Drawing Sheets**



(56)

**References Cited**

U.S. PATENT DOCUMENTS

D645,891 S	*	9/2011	Kim .....	D16/202
D670,264 S	*	11/2012	Tsai .....	D14/172
D672,334 S	*	12/2012	Tzeng .....	D14/212
D718,730 S	*	12/2014	Andresen .....	D14/126
D739,364 S	*	9/2015	Mellingen .....	D14/126
D740,789 S	*	10/2015	Persson .....	D14/215
D803,174 S	*	11/2017	Coffey .....	D14/125
D803,805 S	*	11/2017	Coffey .....	D14/130
D827,596 S	*	9/2018	Hou .....	D14/125
D836,597 S	*	12/2018	Ahn .....	D14/204
D872,158 S	*	1/2020	Bytyqi .....	D16/202

\* cited by examiner

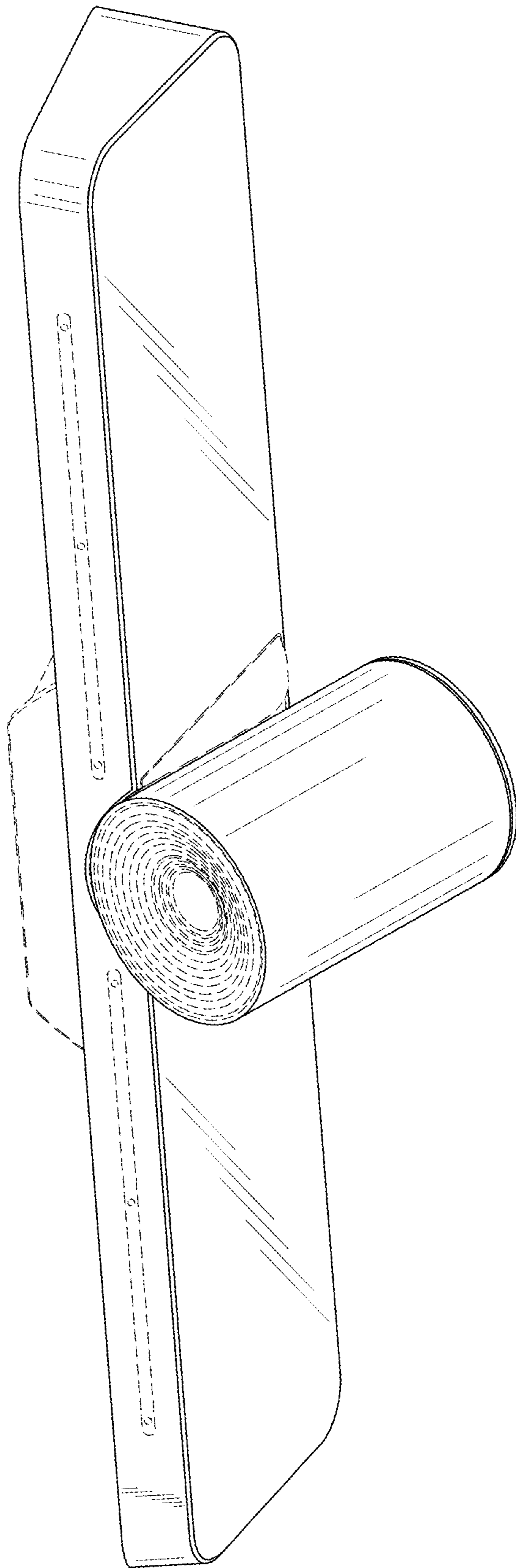


FIG. 1

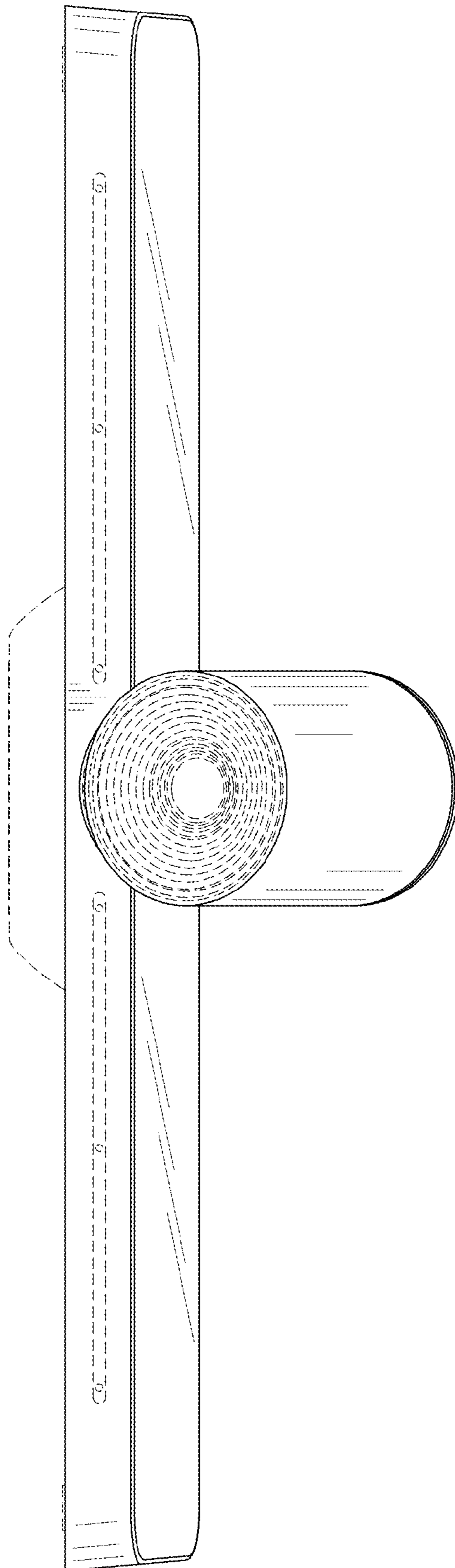


FIG. 2

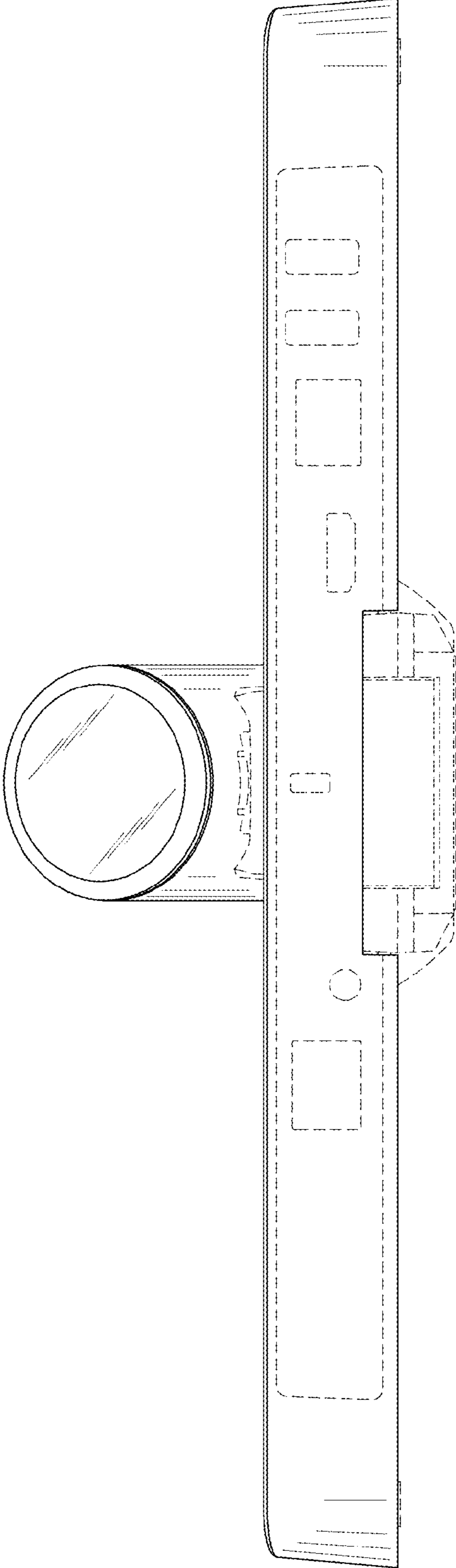


FIG. 3

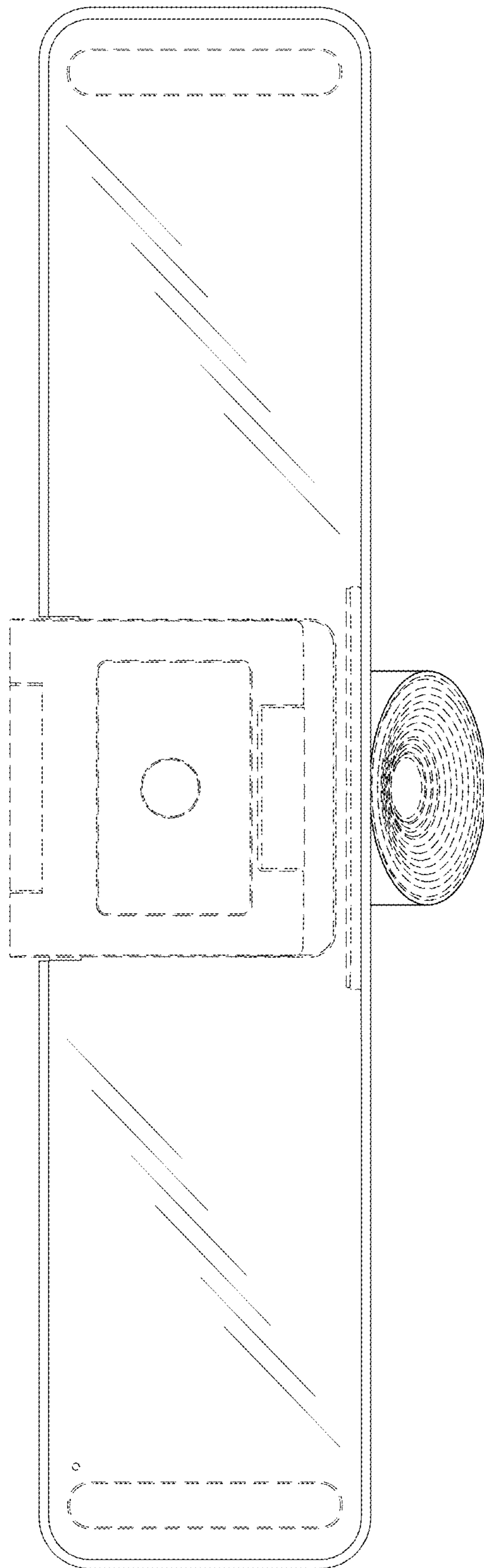


FIG. 4



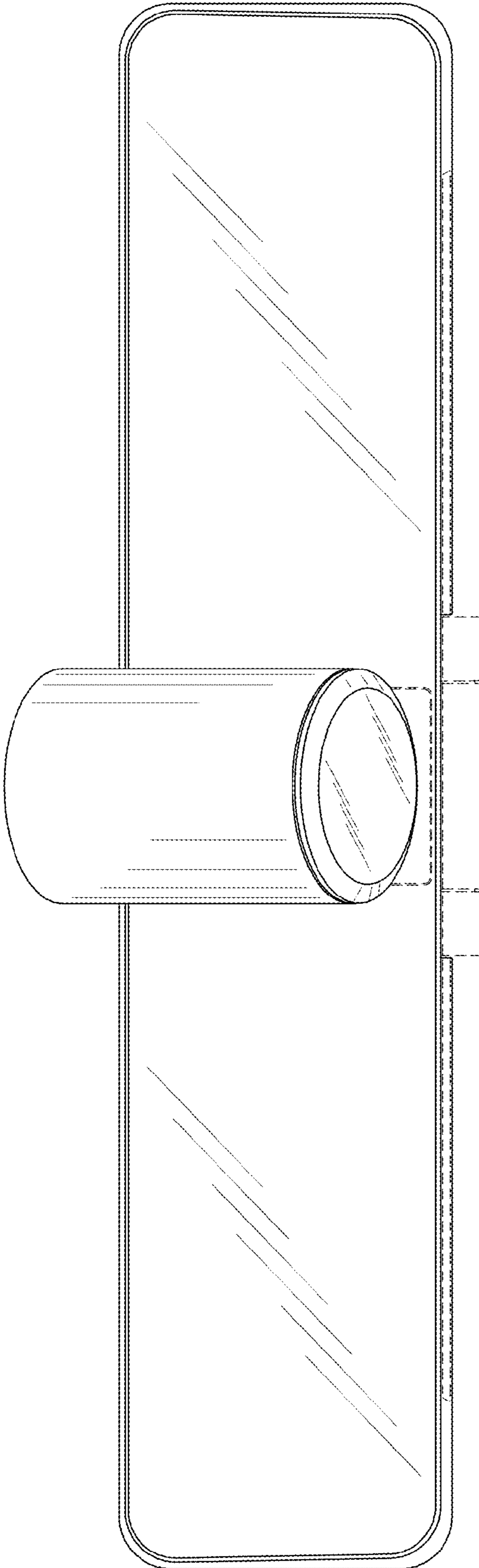


FIG. 5

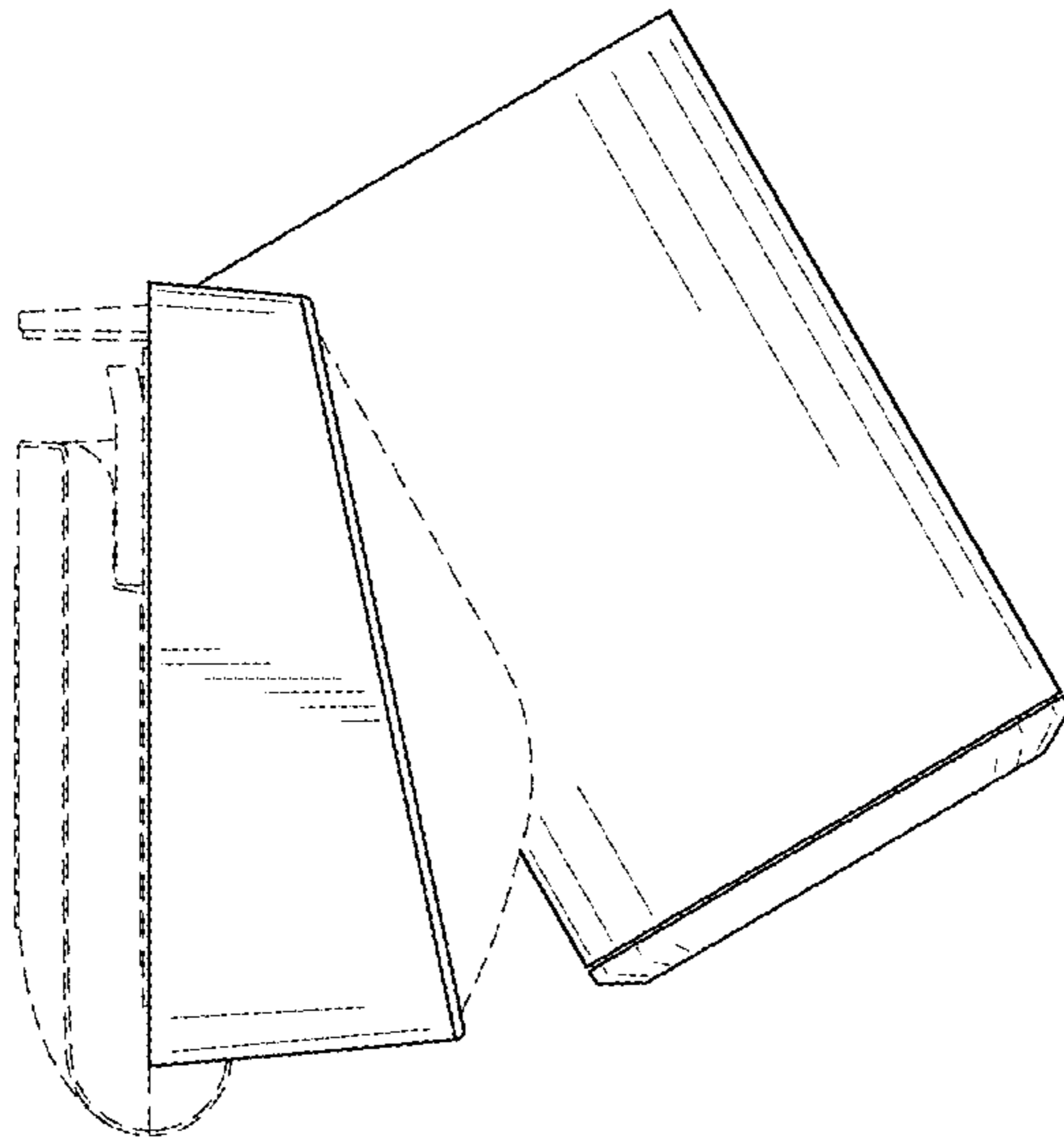


FIG. 6



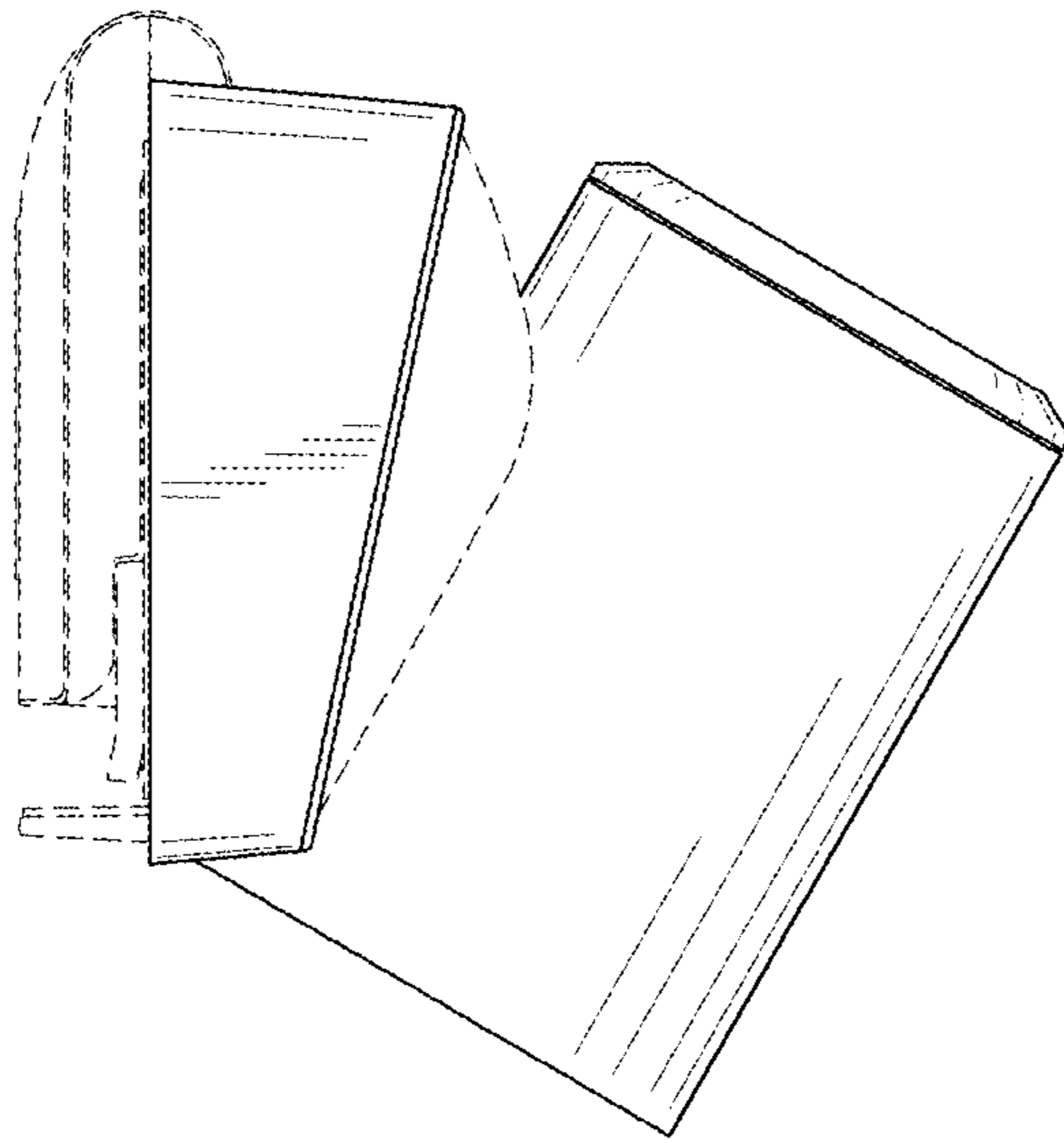


FIG. 7