

US00D896194S

(12) **United States Design Patent**
Kim et al.

(10) **Patent No.:** **US D896,194 S**

(45) **Date of Patent:** **** Sep. 15, 2020**

(54) **TELEVISION**

(71) Applicant: **LG ELECTRONICS INC.**, Seoul (KR)

(72) Inventors: **Yooseok Kim**, Seoul (KR);
Hyoungwon Kim, Seoul (KR);
Younghun Jang, Seoul (KR); **Younsoo Kim**, Seoul (KR)

(73) Assignee: **LG ELECTRONICS INC.**, Seoul (KR)

(**) Term: **15 Years**

(21) Appl. No.: **35/506,744**

(22) Filed: **Nov. 15, 2018**

(80) **Hague Agreement Data**

Int. Filing Date: **Nov. 15, 2018**

Int. Reg. No.: **DM/200244**

Int. Reg. Date: **Nov. 15, 2018**

Int. Reg. Pub. Date: **May 17, 2019**

(30) **Foreign Application Priority Data**

May 25, 2018 (KR) 30-2018-0024305

(51) **LOC (12) Cl.** **14-03**

(52) **U.S. Cl.**
USPC **D14/126**

(58) **Field of Classification Search**

USPC D14/125, 126, 127-137, 239, 314-316,
D14/322, 326, 334-336, 339, 340, 341,

(Continued)

(56) **References Cited**

U.S. PATENT DOCUMENTS

D609,705 S * 2/2010 Andre D14/374

D659,660 S * 5/2012 Kumano D14/126

(Continued)

OTHER PUBLICATIONS

LG Electronics 65SK9500, first public review available Apr. 9, 2018 [online], [retrieved Mar. 15, 2020]. Available from Internet, URL: <<https://www.amazon.com/LG-Electronics-65SK9500-65-Inch-Ultra/dp/B079MTNCH6>> (Year: 2018).*

(Continued)

Primary Examiner — Dana K Weiland

(74) *Attorney, Agent, or Firm* — Birch, Stewart, Kolasch & Birch, LLP

(57) **CLAIM**

The ornamental design for a television, as shown and described.

DESCRIPTION

1. Television

1.1 is a front perspective view of a television showing the new design;

1.2 is a rear perspective view thereof;

1.3 is a front view thereof;

1.4 is a rear view thereof;

1.5 is a left side view thereof;

1.6 is a right side view thereof;

1.7 is a top view thereof;

1.8 is a bottom view thereof;

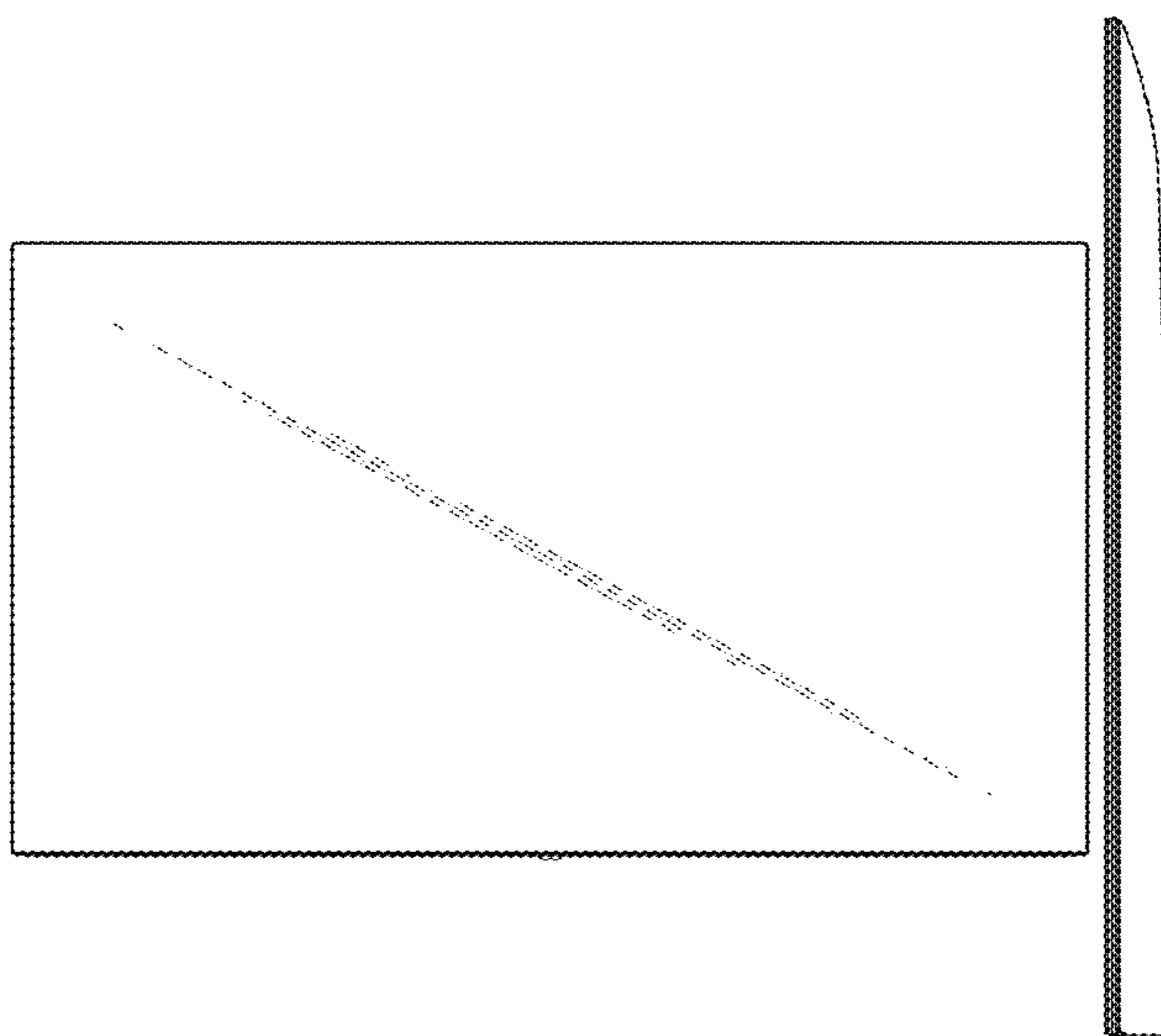
1.9 is an enlarged view of the portion of the television shown within the area designated as **1.9** in reproduction **1.1**; and

1.10 is an enlarged view of the portion of the television shown within the area designated as **1.10** in reproduction

1.5.

The broken lines depict portions of the television that form no part of the claimed design; the dot-dashed lines indicate portions of the claimed design that are shown in the enlarged views, and form no part thereof.

1 Claim, 10 Drawing Sheets



(58) **Field of Classification Search**

USPC ... D14/371, 373-374, 448, 450, 138 G, 248;
D6/300, 310, 314, 320, 332, 553, 657;
D21/329, 332, 515, 324
CPC G06F 1/16; G06F 1/1601; G06F 1/1637;
H04N 5/64; H05K 5/0204; H05K 5/0017;
H05K 5/0217

See application file for complete search history.

D818,450 S * 5/2018 Lee D14/126
D819,027 S * 5/2018 Lee D14/374
D826,791 S * 8/2018 Kim D12/126
D830,984 S * 10/2018 Kim D14/126
D835,593 S * 12/2018 Shin D14/126
D841,609 S * 2/2019 Kim D14/126
D848,970 S * 5/2019 Lim D14/126
D849,703 S * 5/2019 Kim D14/126
D859,338 S * 9/2019 Lim D14/126
D860,961 S * 9/2019 Kim D14/126
D860,962 S * 9/2019 Lee D14/126

(56) **References Cited**

U.S. PATENT DOCUMENTS

D691,605 S * 10/2013 Won D14/374
D782,433 S * 3/2017 Lee D14/126
D796,463 S * 9/2017 So D14/126
D796,464 S * 9/2017 Kim D14/126
D817,901 S * 5/2018 Lee D14/126
D817,957 S * 5/2018 Jung D14/374

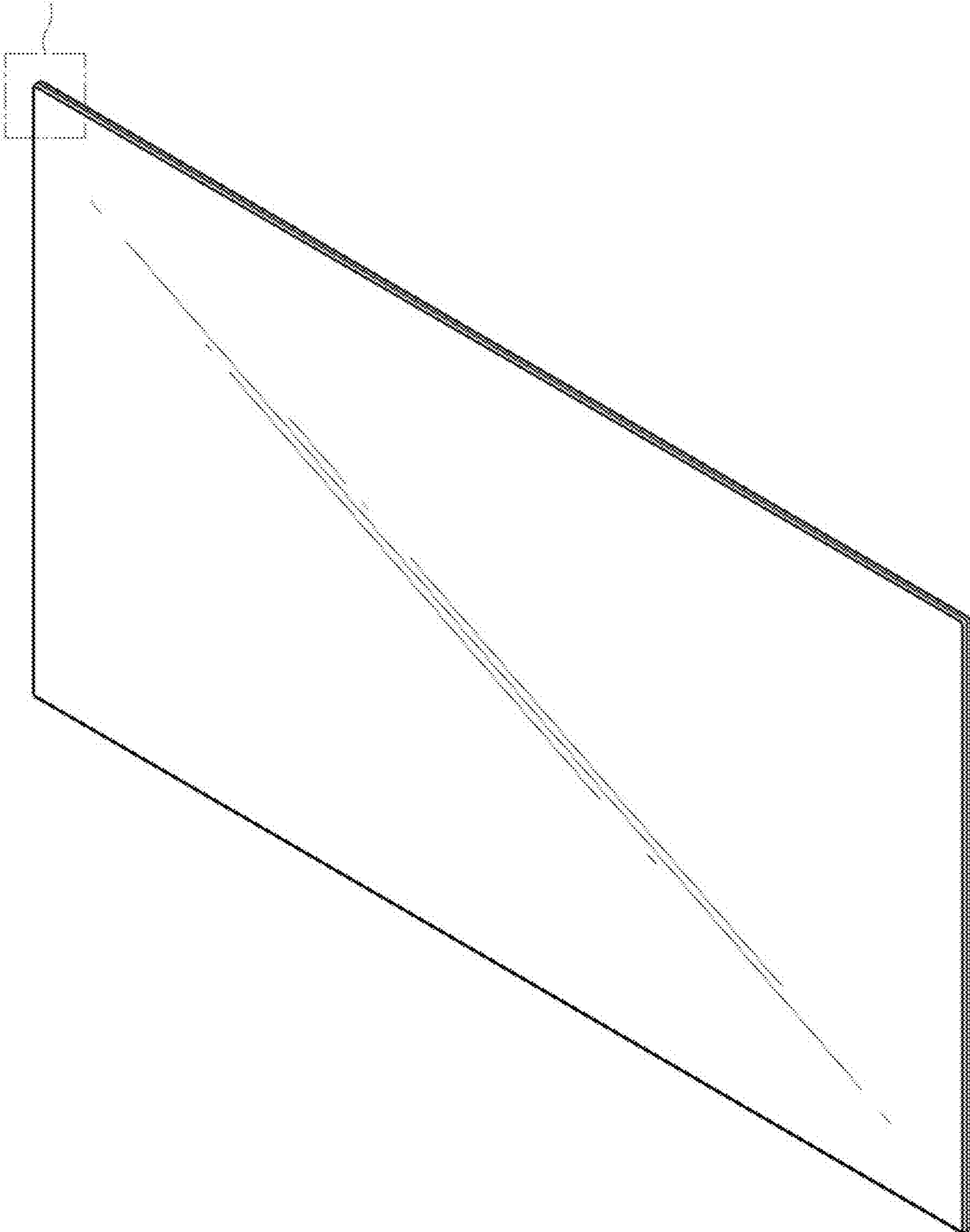
OTHER PUBLICATIONS

LG Electronics 65SK9500, first public review available May 7, 2018 [online], [retrieved Mar. 15, 2020]. Available from Internet, URL: <<https://www.amazon.com/LG-Electronics-65SK9000-65-Inch-Ultra/dp/B079TP88ZC>> (Year: 2018).*

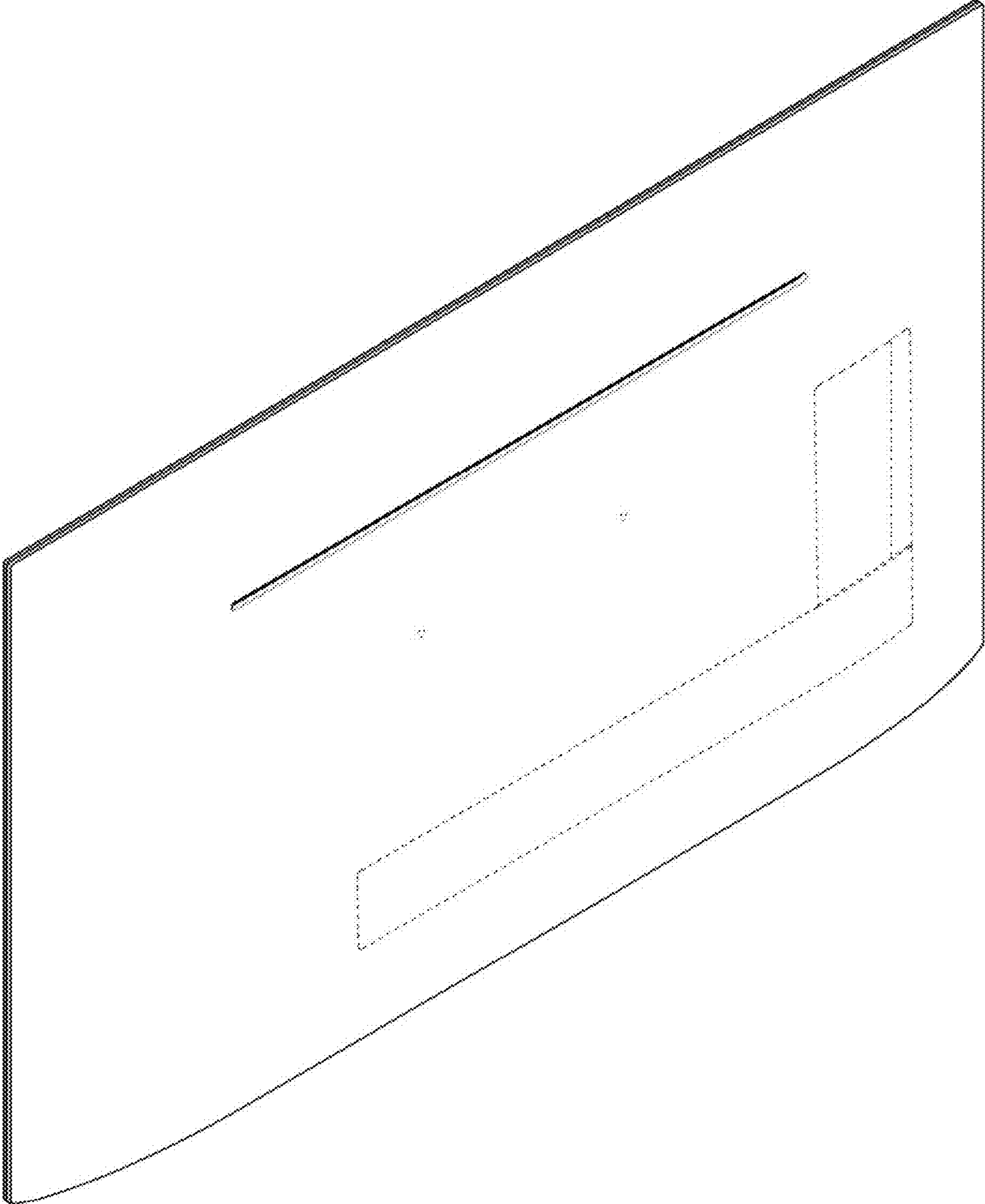
* cited by examiner

1.1

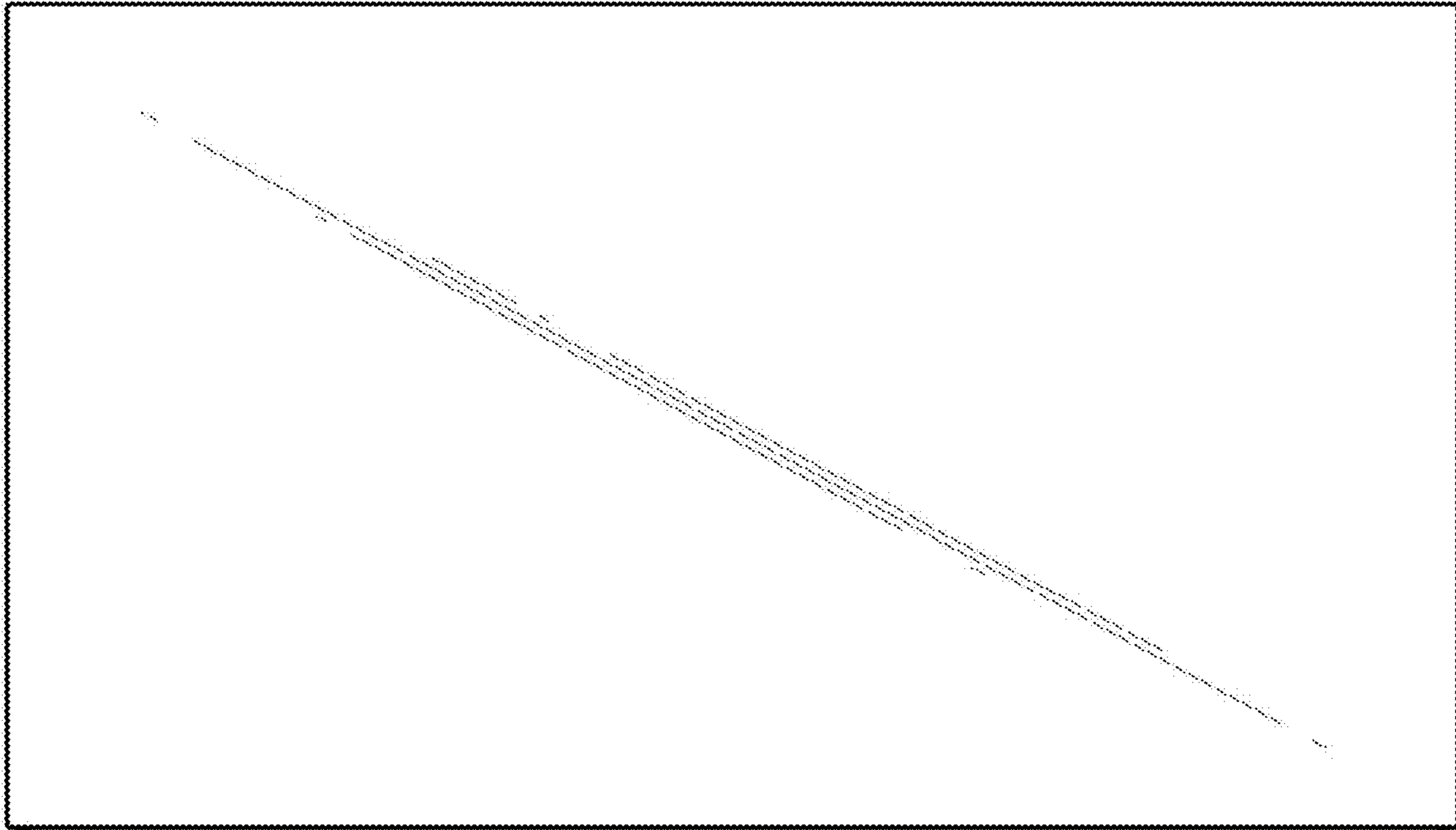
19



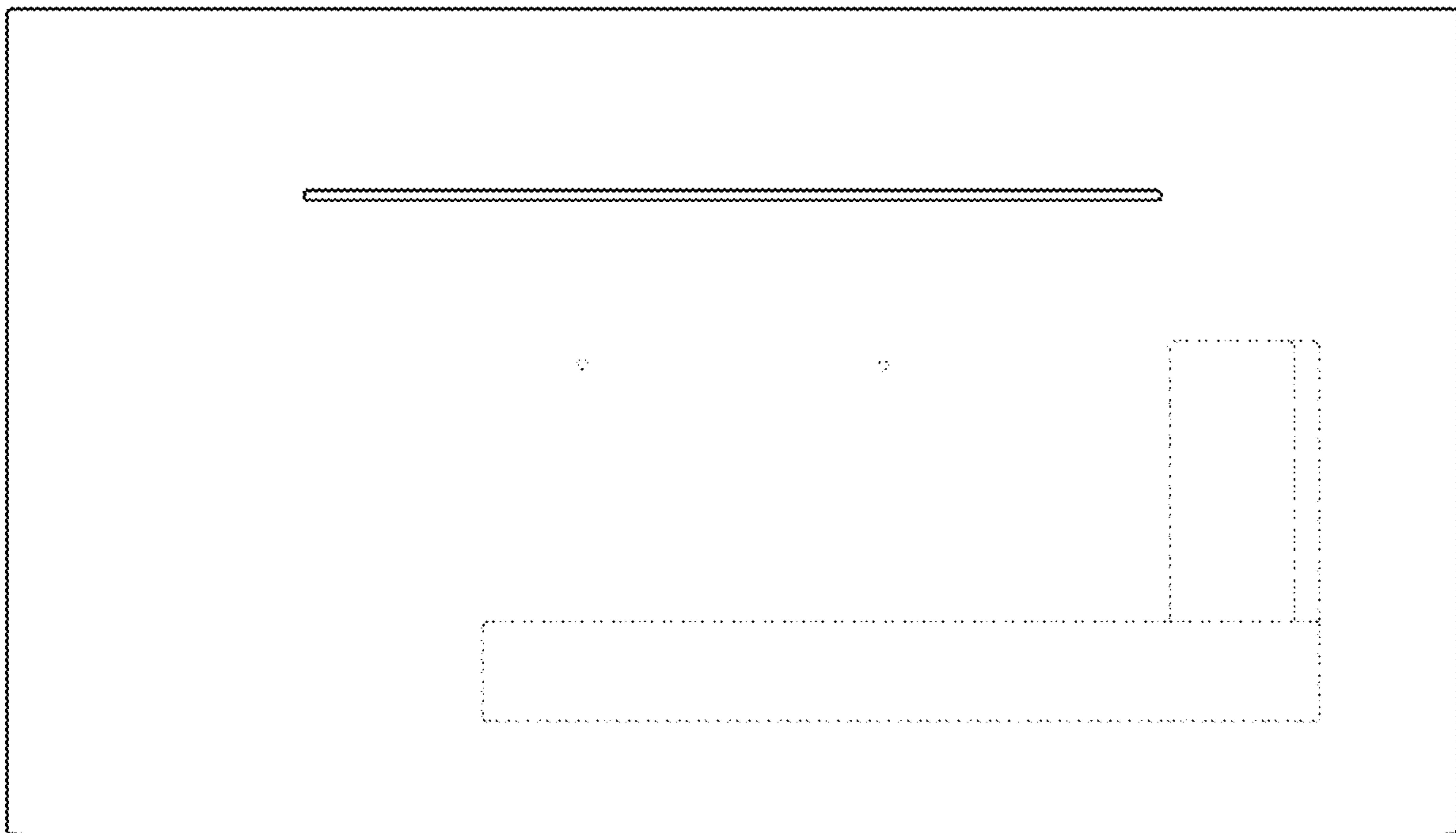
1.2



1.3

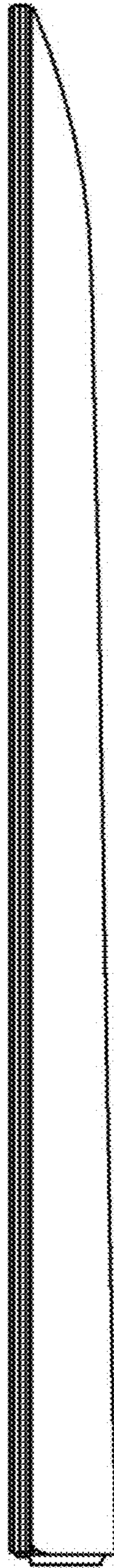


1.4





1.6



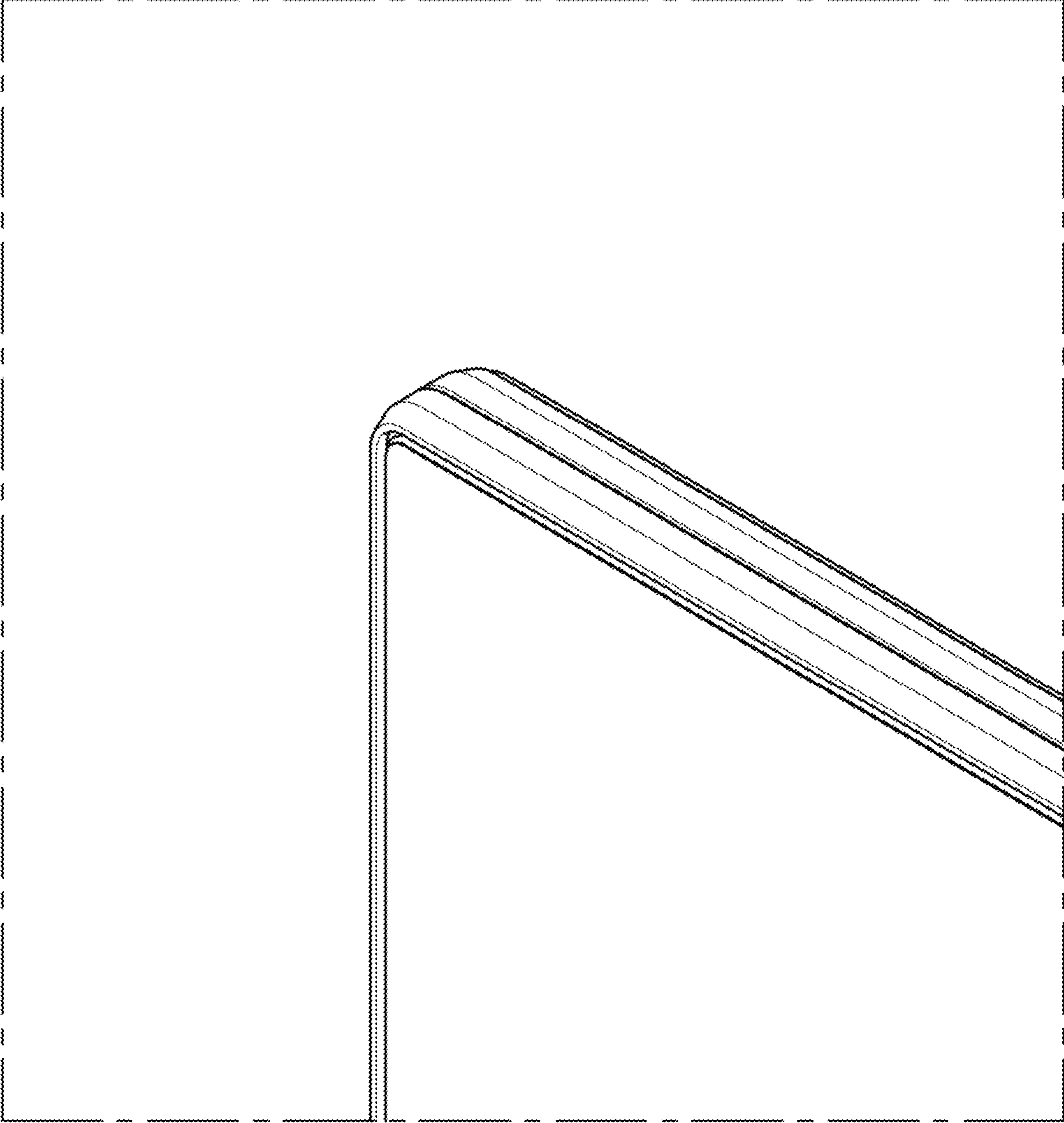
1.7



1.8



1.9



1.10

