



US00D896193S

(12) **United States Design Patent**  
**Cha et al.**

(10) **Patent No.:** **US D896,193 S**  
(45) **Date of Patent:** **\*\* Sep. 15, 2020**

(54) **TELEVISION RECEIVER**

- (71) Applicant: **LG Electronics Inc.**, Seoul (KR)
- (72) Inventors: **Hyunbyung Cha**, Seoul (KR); **Minjae Lee**, Seoul (KR); **Cheolwoong Shin**, Seoul (KR); **Seonkyu Kim**, Seoul (KR); **Yunjoo Kim**, Seoul (KR); **Youngkyoung Kim**, Seoul (KR)
- (73) Assignee: **LG Electronics Inc.**, Seoul (KR)
- (\*\*) Term: **15 Years**
- (21) Appl. No.: **35/506,650**
- (22) Filed: **Oct. 18, 2018**

(80) **Hague Agreement Data**

- Int. Filing Date: **Oct. 18, 2018**
- Int. Reg. No.: **DM/200118**
- Int. Reg. Date: **Oct. 18, 2018**
- Int. Reg. Pub. Date: **Apr. 19, 2019**

(30) **Foreign Application Priority Data**

- Apr. 27, 2018 (KR) ..... 30-2018-0020039
- (51) **LOC (12) Cl.** ..... **14-03**
- (52) **U.S. Cl.**  
USPC ..... **D14/126**
- (58) **Field of Classification Search**  
USPC ..... D14/125, 126, 128, 133, 239, 336, 371,  
D14/374-377, 448, 450, 168, 172, 204,

(Continued)

(56) **References Cited**

**U.S. PATENT DOCUMENTS**

- D721,057 S \* 1/2015 Ryu ..... H01L 51/524  
D14/214
- D725,639 S \* 3/2015 Kim ..... D14/239

(Continued)

**OTHER PUBLICATIONS**

CNet.com; Katzmaier, David; "LG's roll-up OLED TV comes out of hiding only when TV time rolls around"; [online] <https://www.cnet.com/news/lg-oled-tv-roll-up-comes-out-hiding-when-tv-time-rolls-around/>; dated Jan. 10, 2020; accessed Feb. 2, 2020; 3pgs. (Year: 2020).\*

(Continued)

*Primary Examiner* — Keli L Hill

(74) *Attorney, Agent, or Firm* — Birch, Stewart, Kolasch & Birch, LLP

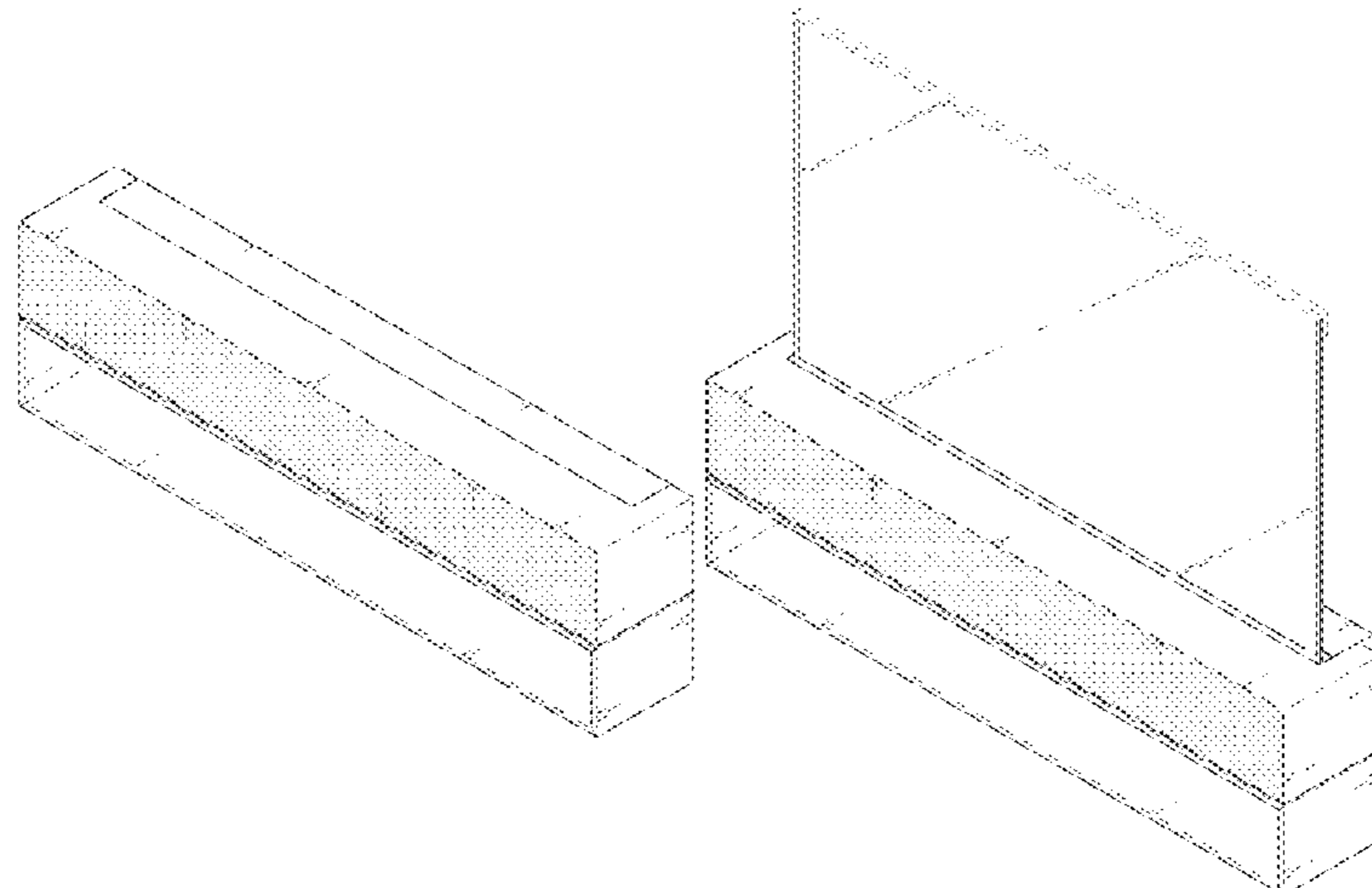
(57) **CLAIM**

The ornamental design for a television receiver, as shown and described.

**DESCRIPTION**

- 1. Television receiver
- 1.1 is a front perspective view shown with display in fully retracted position.
- 1.2 is a front elevation view.
- 1.3 is a rear elevation view.
- 1.4 is a left side elevation view, the right side being a mirror image thereto.
- 1.5 is a top plan view.
- 1.6 is a bottom plan view.
- 1.7 is a rear perspective view.
- 1.8 is an alternate rear perspective view shown with display in partially extended position.
- 1.9 is an enlarged view of the bottom rear shown in an alternate state of use.
- 1.10 is a front perspective view shown with display in fully extended position.
- 1.11 is a front elevation view.
- 1.12 is a rear elevation view.
- 1.13 is a left side elevation view, the right side being a mirror image thereto.
- 1.14 is a top plan view.
- 1.15 is a bottom plan view.
- 1.16 is a rear perspective view.

(Continued)



The broken lines depict portions of the television receiver that form no part of the claimed design.

**1 Claim, 16 Drawing Sheets**

(58) **Field of Classification Search**

USPC ..... D14/210, 214; D20/10, 19, 39;  
D21/329, 515; D16/241  
CPC ..... G06F 1/1601; G06F 1/1643; H04N 5/64;  
H04N 5/66; H04N 5/655; H04N 7/00;  
H04N 9/3141; H04N 13/0459; H04N  
17/04; H04N 17/004; H04N 21/43637;  
G02B 6/0068; H05K 5/02; H05K 5/0004;  
H05K 5/0017; H05K 5/0217

See application file for complete search history.

(56) **References Cited**

U.S. PATENT DOCUMENTS

D753,627 S \* 4/2016 Kim ..... D14/214  
D761,221 S \* 7/2016 Kim ..... D14/126  
D763,811 S \* 8/2016 Park ..... D14/125

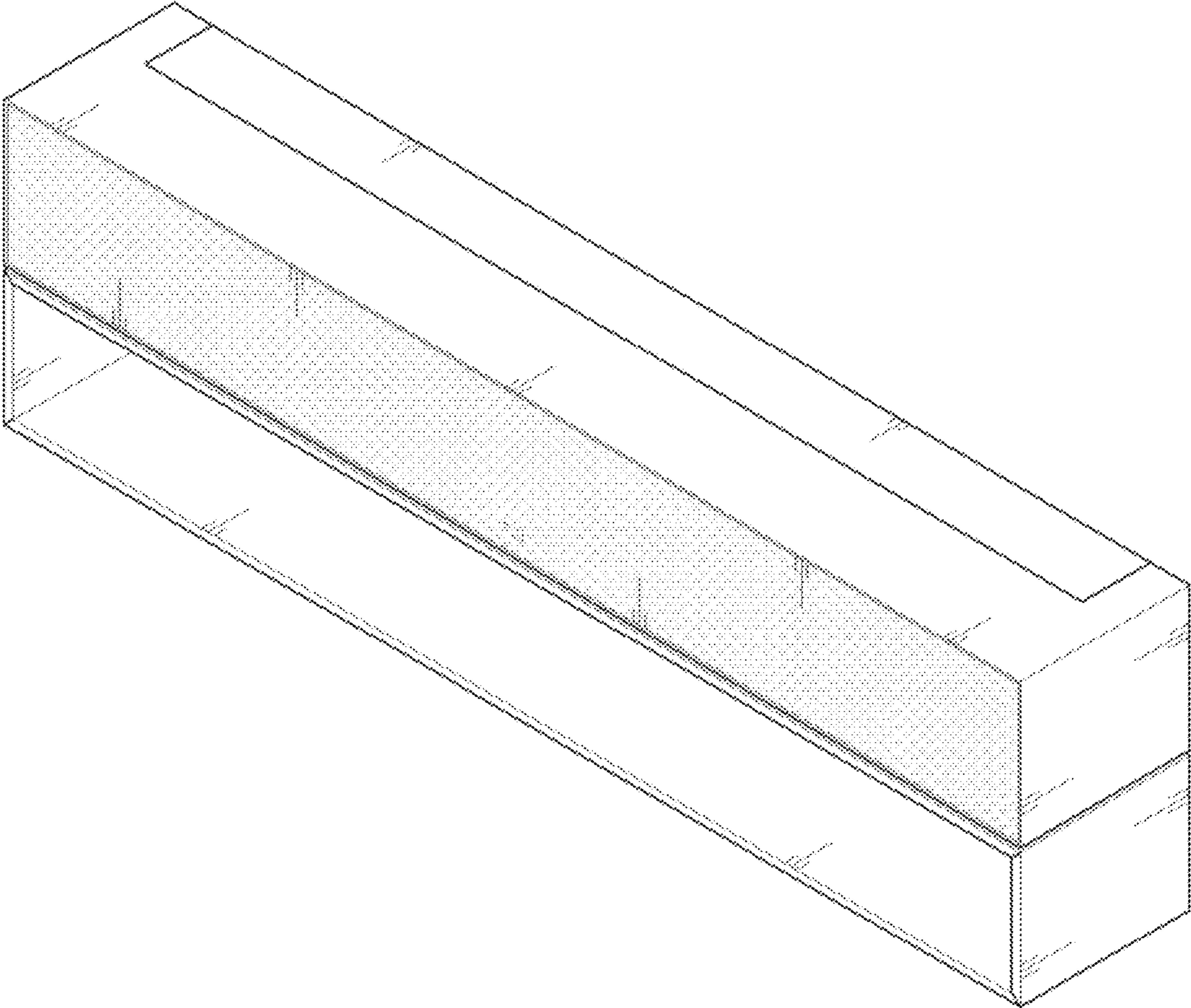
D773,417 S \* 12/2016 Kim ..... D14/126  
D776,072 S \* 1/2017 Kim ..... D14/126  
D807,844 S \* 1/2018 Kim ..... H05K 1/028  
D14/126  
D813,832 S \* 3/2018 Kim ..... B65H 18/10  
D14/126  
10,534,402 B1 \* 1/2020 Kim ..... G09F 11/02  
D875,698 S \* 2/2020 Kang ..... D14/126  
D883,243 S \* 5/2020 Kim ..... D14/126  
D883,244 S \* 5/2020 Kim ..... D14/129  
2015/0009636 A1 \* 1/2015 Jeong ..... B65H 18/10  
361/749  
2016/0029474 A1 \* 1/2016 Cho ..... H05K 1/028  
361/749  
2017/0027067 A1 \* 1/2017 Choi ..... G06F 1/1652  
2017/0079149 A1 \* 3/2017 Lee ..... H01L 51/524  
2017/0103735 A1 \* 4/2017 Oh ..... G09G 5/391  
2017/0196102 A1 \* 7/2017 Shin ..... G09F 9/301

OTHER PUBLICATIONS

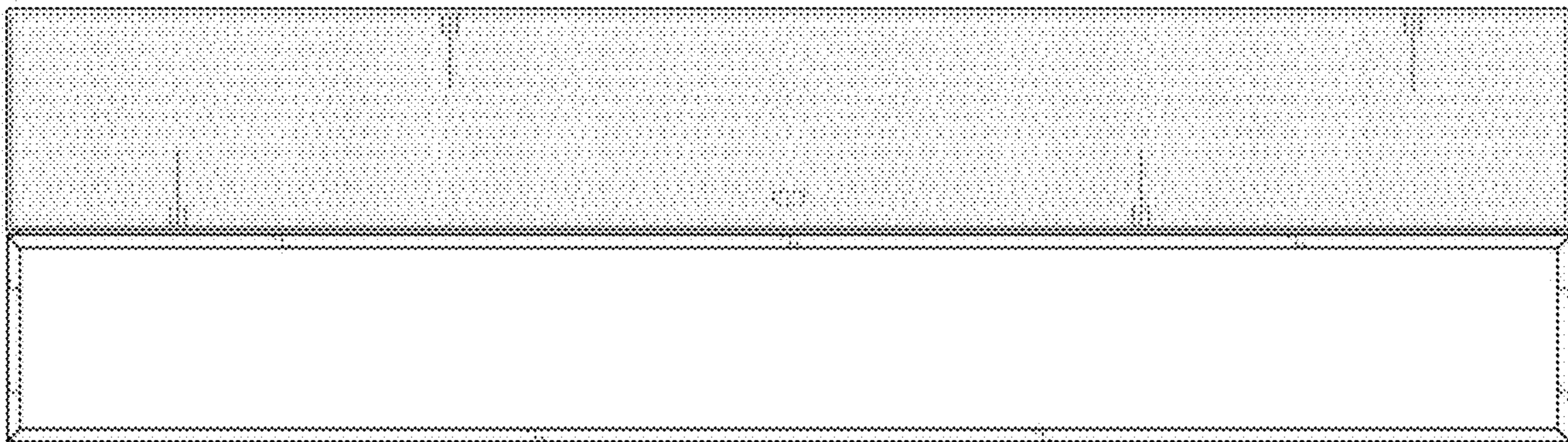
Twitter.com; User: @dkatzmaier; “5 roll-up OLED TV’s at LG’s #CES2019 booth. Mesmerizing.”; [online] <https://twitter.com/dkatzmaier>; dated Jan. 8, 2019; accessed Feb. 20, 2020; 1pg. (Year: 2019).\*

\* cited by examiner

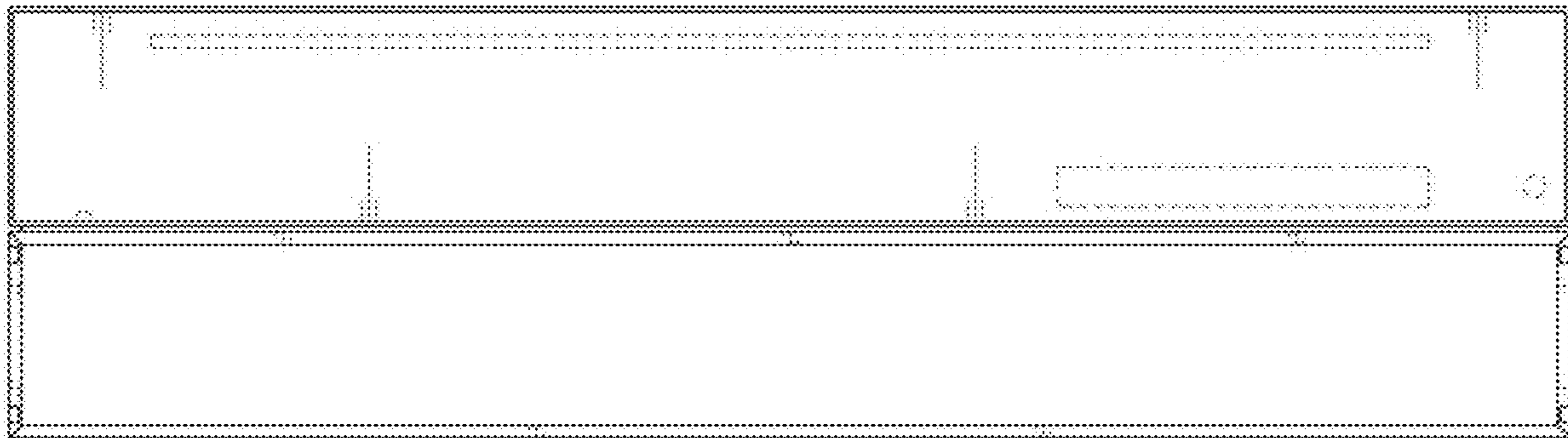
1.1



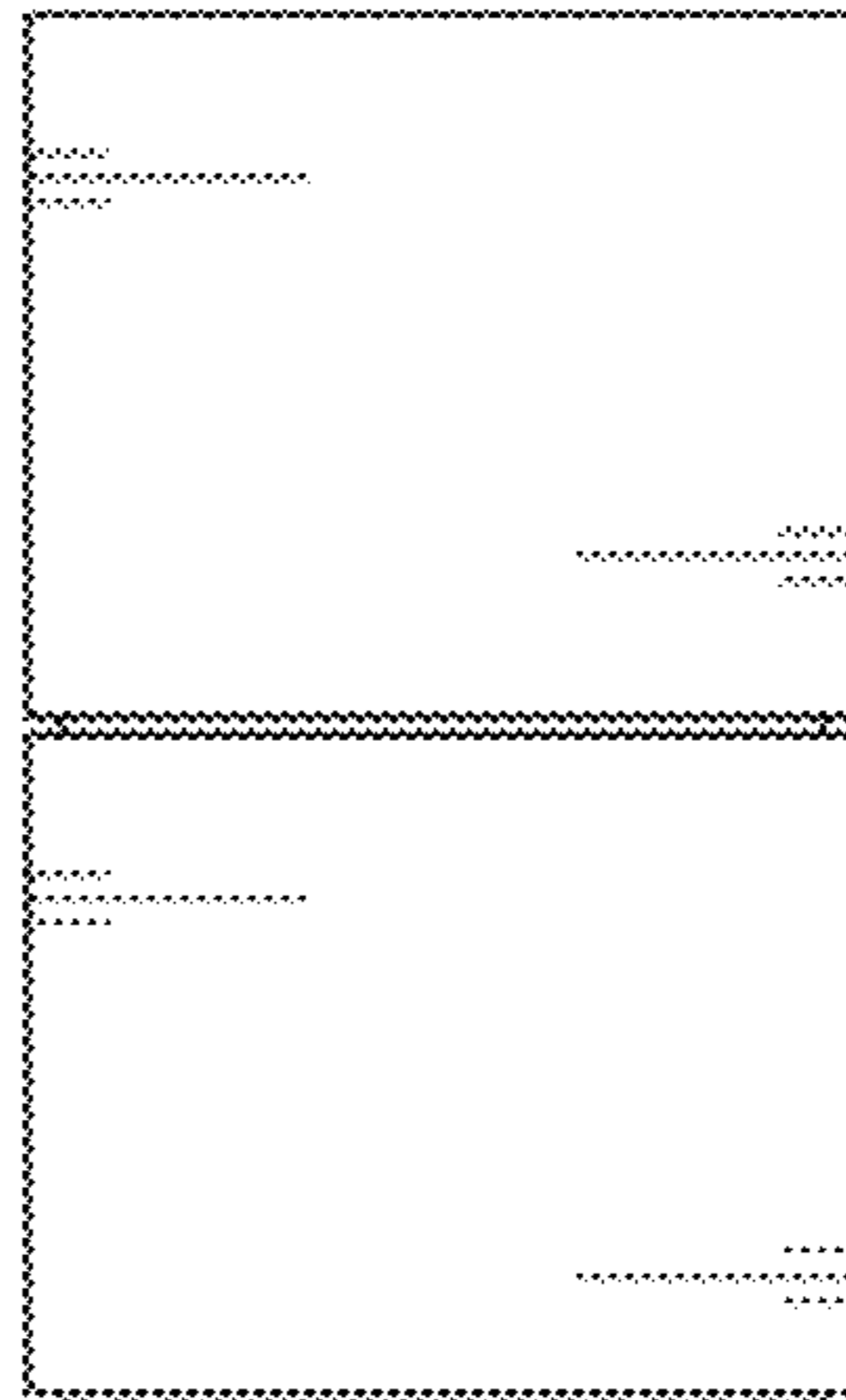
1.2



1.3



1.4



1.5

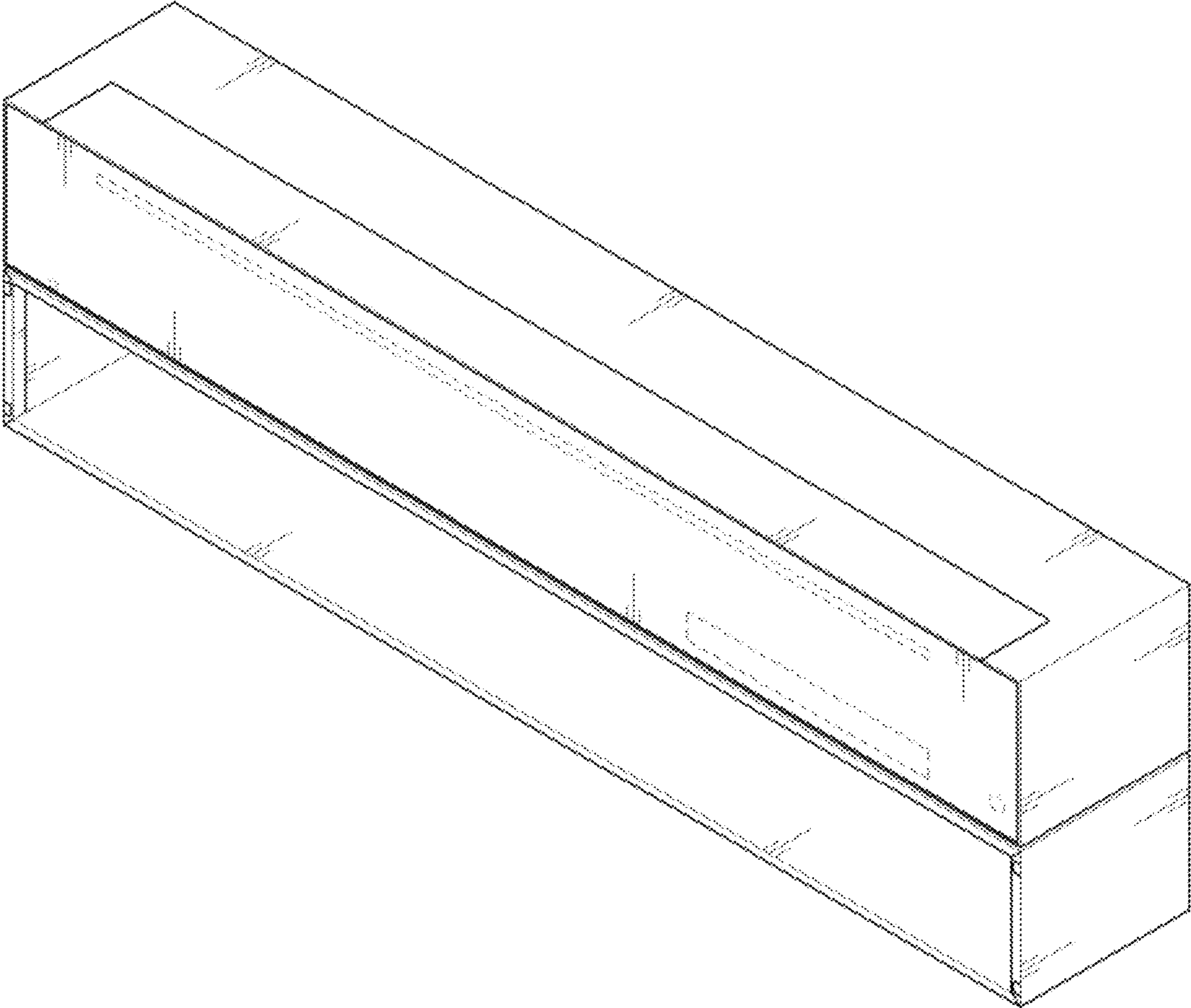


**1.6**

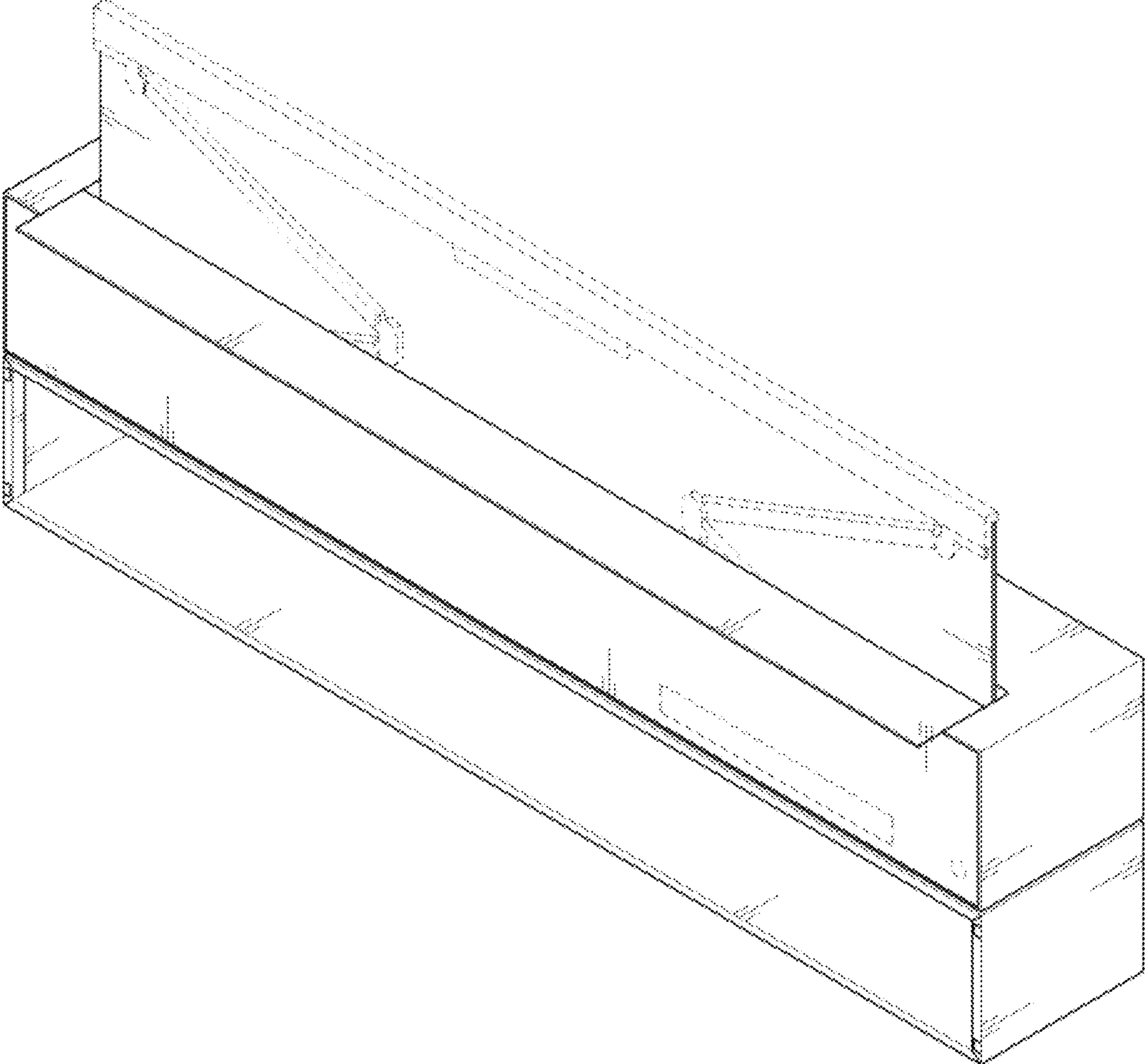




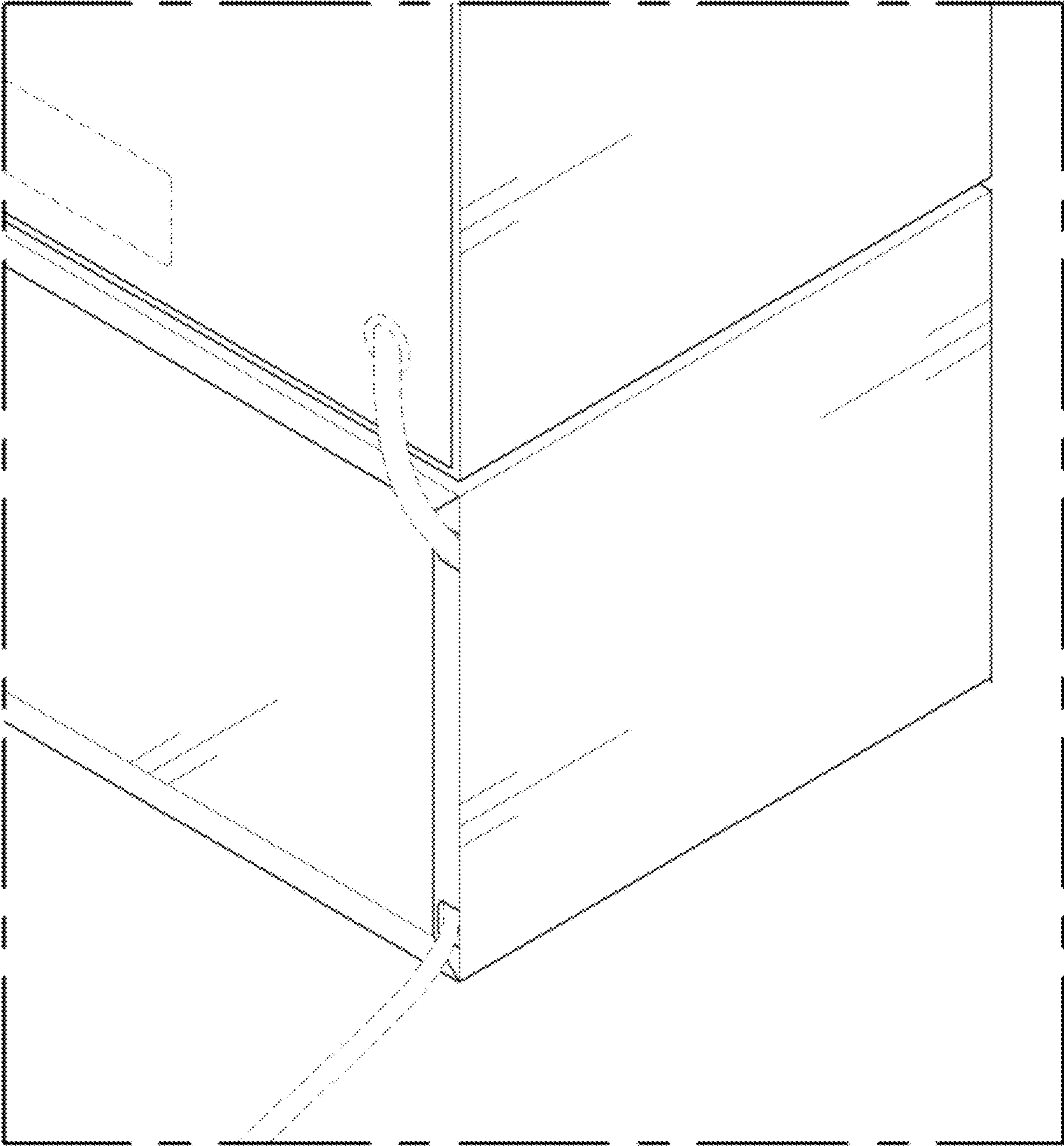
1.7



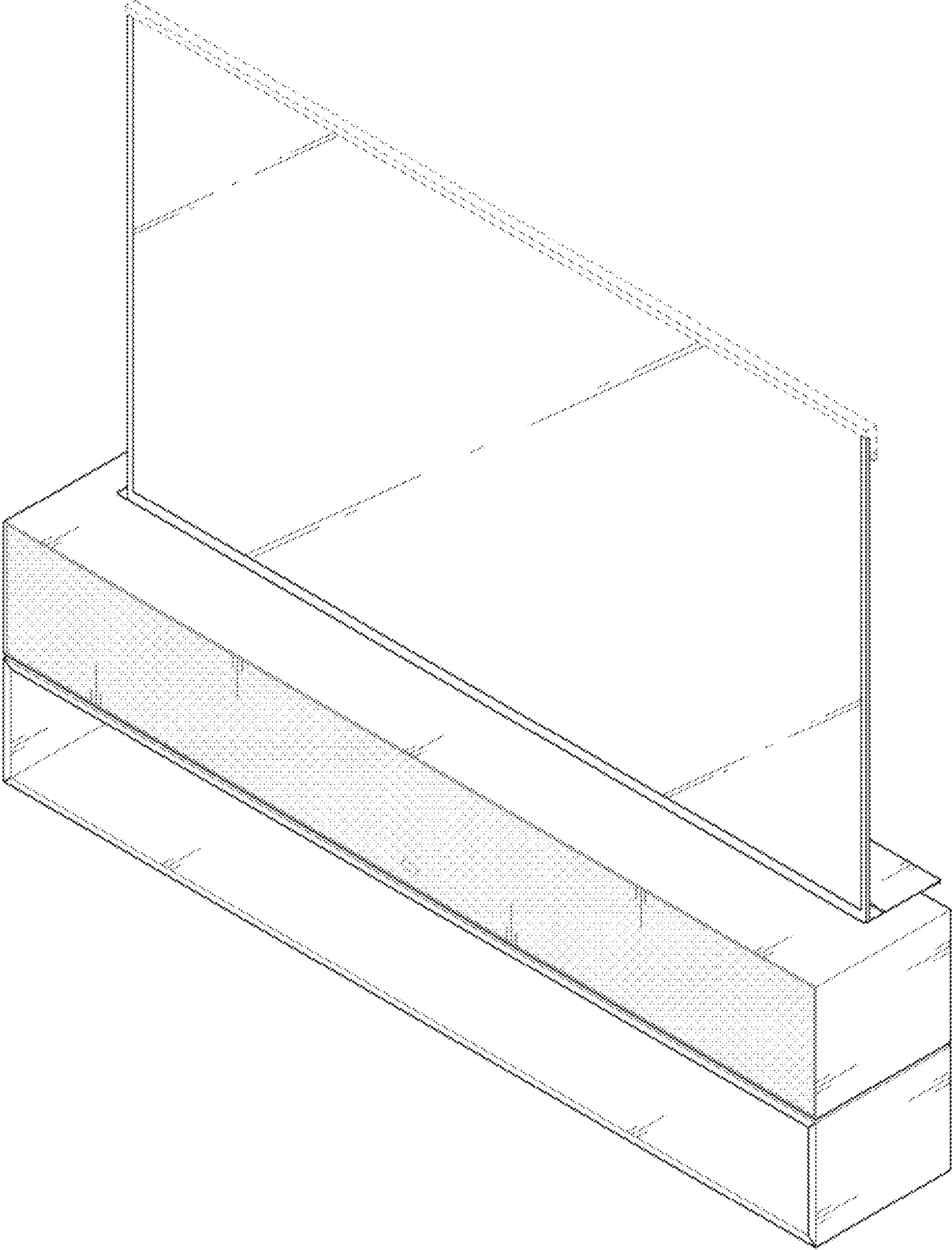
1.8



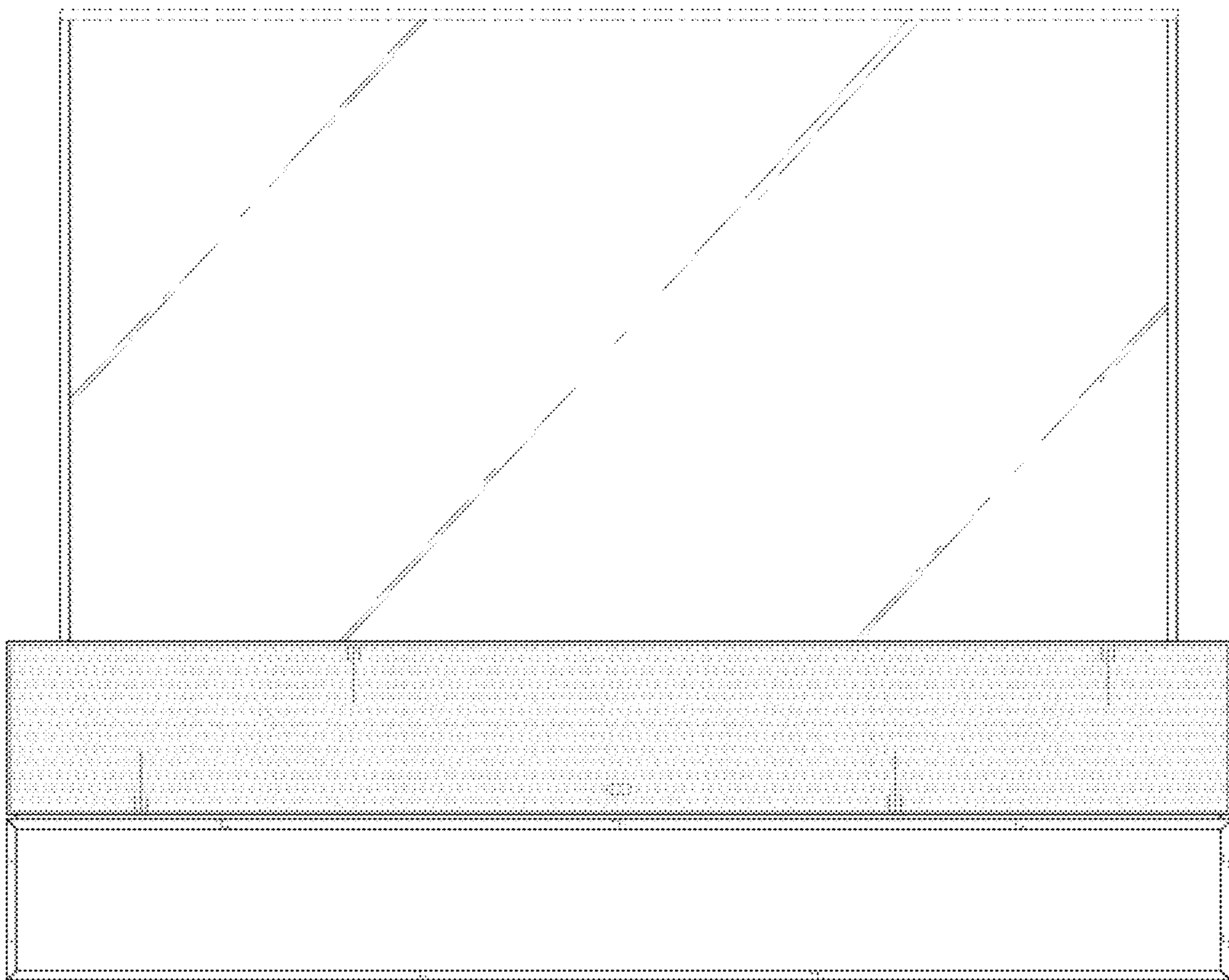
1.9



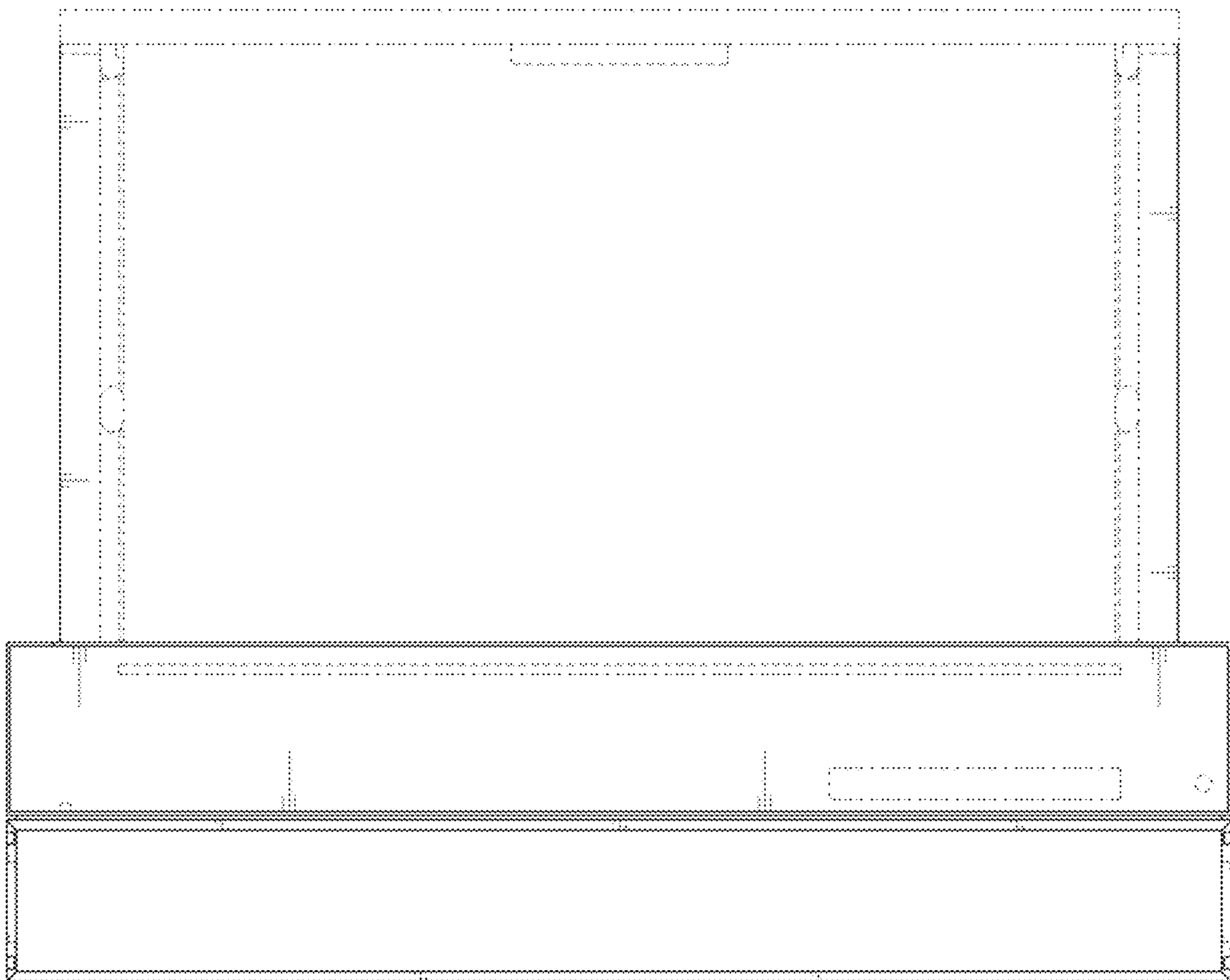
1.10



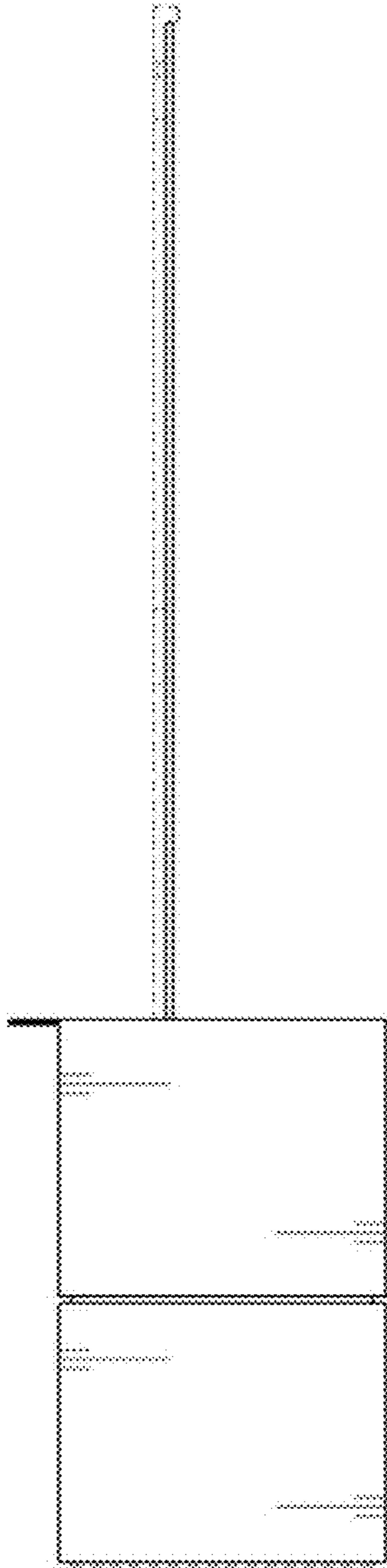
1.11



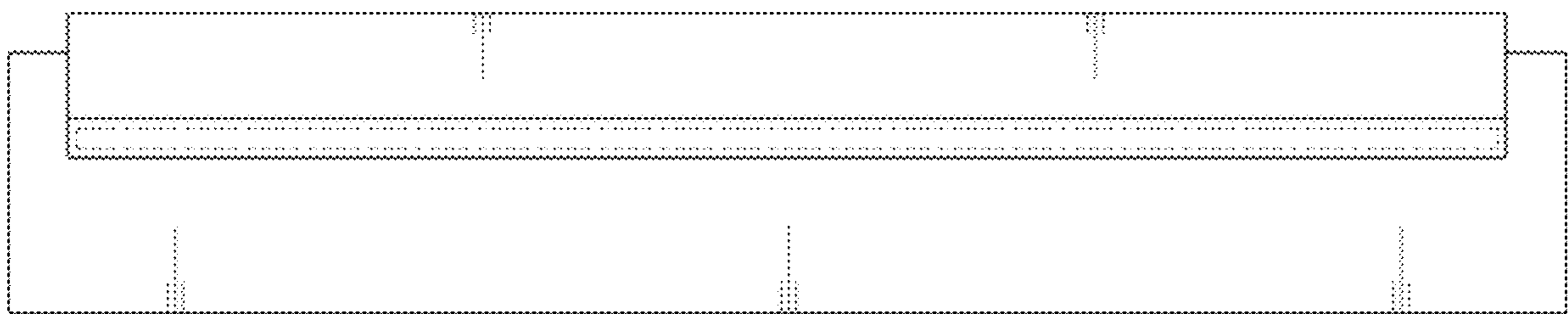
1.12



1.13

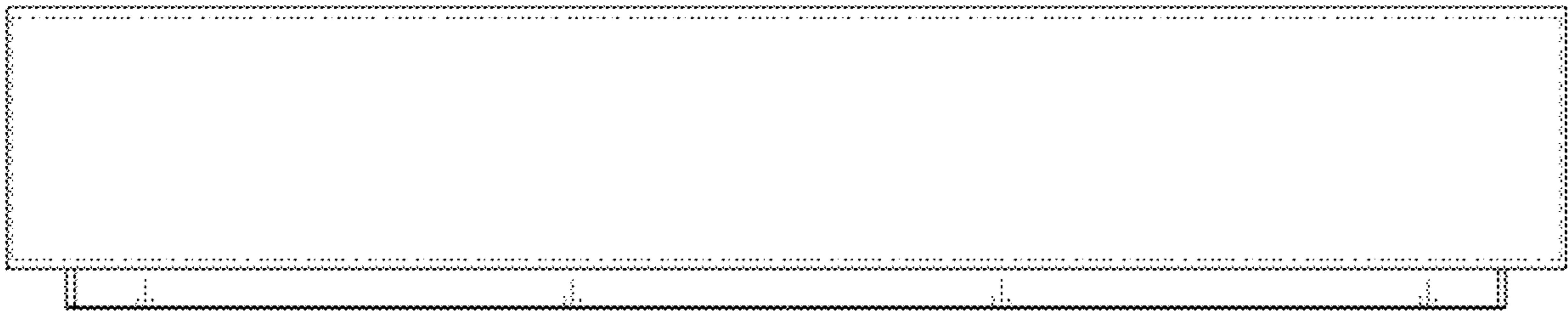


1.14





1.15



1.16

