



US00D896192S

(12) **United States Design Patent**
Ren et al.

(10) **Patent No.:** **US D896,192 S**
(45) **Date of Patent:** **** Sep. 15, 2020**

(54) **ELECTRONIC CART**

(71) Applicant: **ZHUHAI RUNXINGTAI ELECTRICAL CO., LTD.**, Zhuhai (CN)

(72) Inventors: **Huaide Ren**, Zhuhai (CN); **Ying Zhang**, Zhuhai (CN); **Yuan Huo**, Zhuhai (CN); **Cheng Liu**, Zhuhai (CN)

(73) Assignee: **ZHUHAI RUNXINGTAI ELECTRICAL CO., LTD.**, Zhuhai (CN)

(**) Term: **15 Years**

(21) Appl. No.: **29/656,702**

(22) Filed: **Jul. 16, 2018**

(30) **Foreign Application Priority Data**

May 22, 2018 (CN) 2018 3 0238817

(51) **LOC (12) Cl.** **13-03**

(52) **U.S. Cl.**
USPC **D13/184**; D14/126; D14/129; D19/114

(58) **Field of Classification Search**
USPC D13/184; D19/113, 114; D20/10, 19, D20/27, 29, 42, 43; D14/341, 342, 371, D14/373, 374, 448, 450, 126, 129
CPC A47G 1/06; A47G 1/0616; A47G 1/0638; A47G 2001/0694; B43L 1/00; B43L 1/06; B43L 5/00; G09F 15/00; G09F 15/02; G09F 15/0012

See application file for complete search history.

(56) **References Cited**

U.S. PATENT DOCUMENTS

D300,150 S * 3/1989 Ishii D18/36
D369,833 S * 5/1996 Egan D20/10
5,529,501 A * 6/1996 Maruyama B43K 8/22
345/179

D401,625 S * 11/1998 Verbeek D19/114
D626,599 S * 11/2010 Ogawa D19/113
D637,568 S * 5/2011 Desai D14/126
D671,170 S * 11/2012 Udagawa D19/114
D791,232 S * 7/2017 Terada D19/114
D821,388 S * 6/2018 Henderson D14/341
D822,108 S * 7/2018 Avallon D19/114
D822,109 S * 7/2018 Avallon D19/114
D836,500 S * 12/2018 Julian D12/133
D846,555 S * 4/2019 Park D14/451
D847,127 S * 4/2019 Ostensen D14/239
D861,786 S * 10/2019 Won D20/10
D864,296 S * 10/2019 Park D19/113
D877,104 S * 3/2020 Khan D14/126

* cited by examiner

Primary Examiner — Keli L Hill

Assistant Examiner — Harold E Blackwell, II

(74) *Attorney, Agent, or Firm* — Anova Law Group, PLLC

(57) **CLAIM**

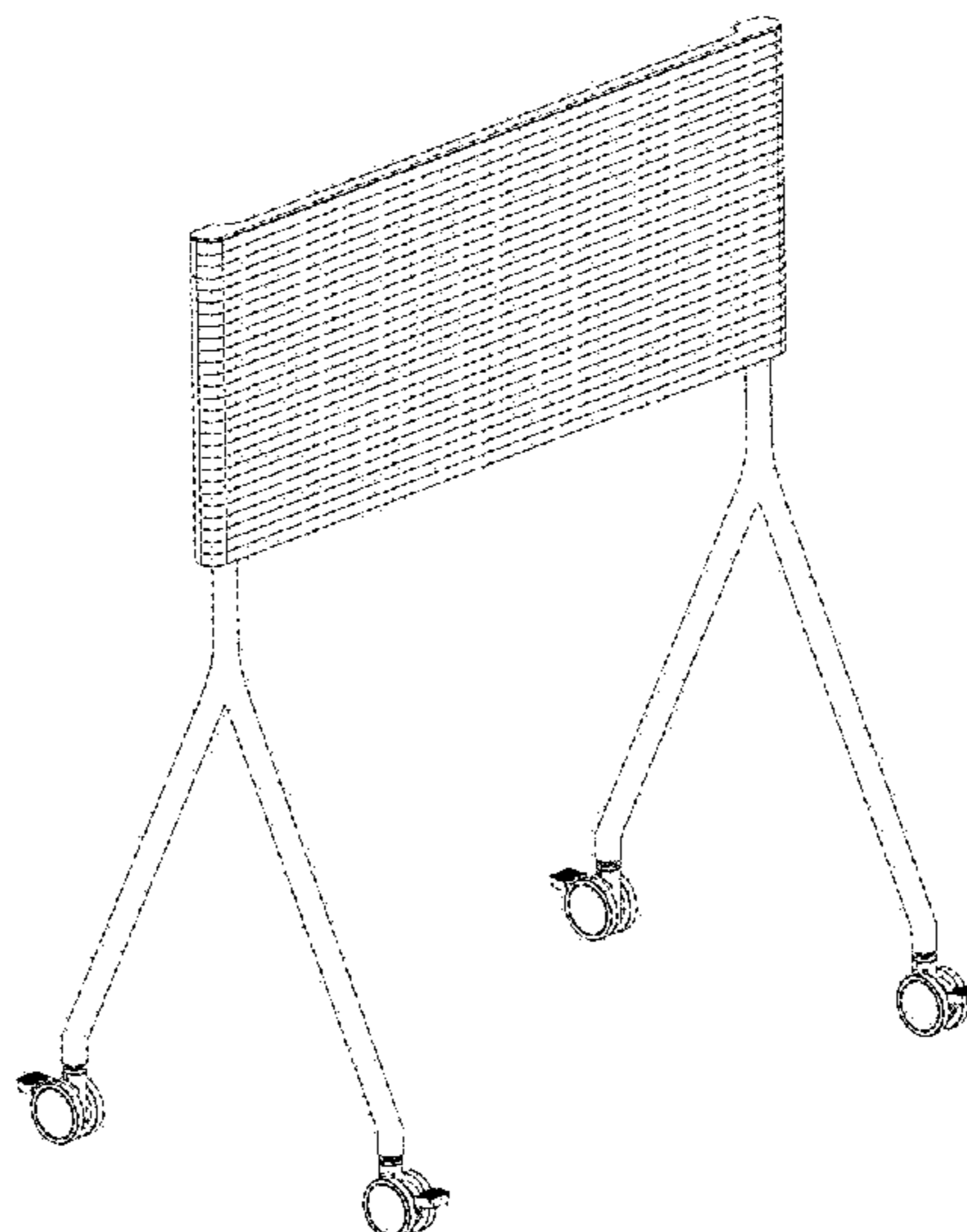
The ornamental design for an electronic cart, as shown and described.

DESCRIPTION

FIG. 1 is a perspective view of an electronic cart in accordance with the present disclosure;
FIG. 2 is a front view of the electronic cart shown in FIG. 1;
FIG. 3 is a back view of the electronic cart shown in FIG. 1;
FIG. 4 is a left side view of the electronic cart shown in FIG. 1, the right side view is a mirror image of the left side;
FIG. 5 is a top view of the electronic cart shown in FIG. 1; and,
FIG. 6 is a bottom view of the electronic cart shown in FIG. 1.

The broken lines depict portions of the electronic cart which form no part of the claimed design.

1 Claim, 6 Drawing Sheets



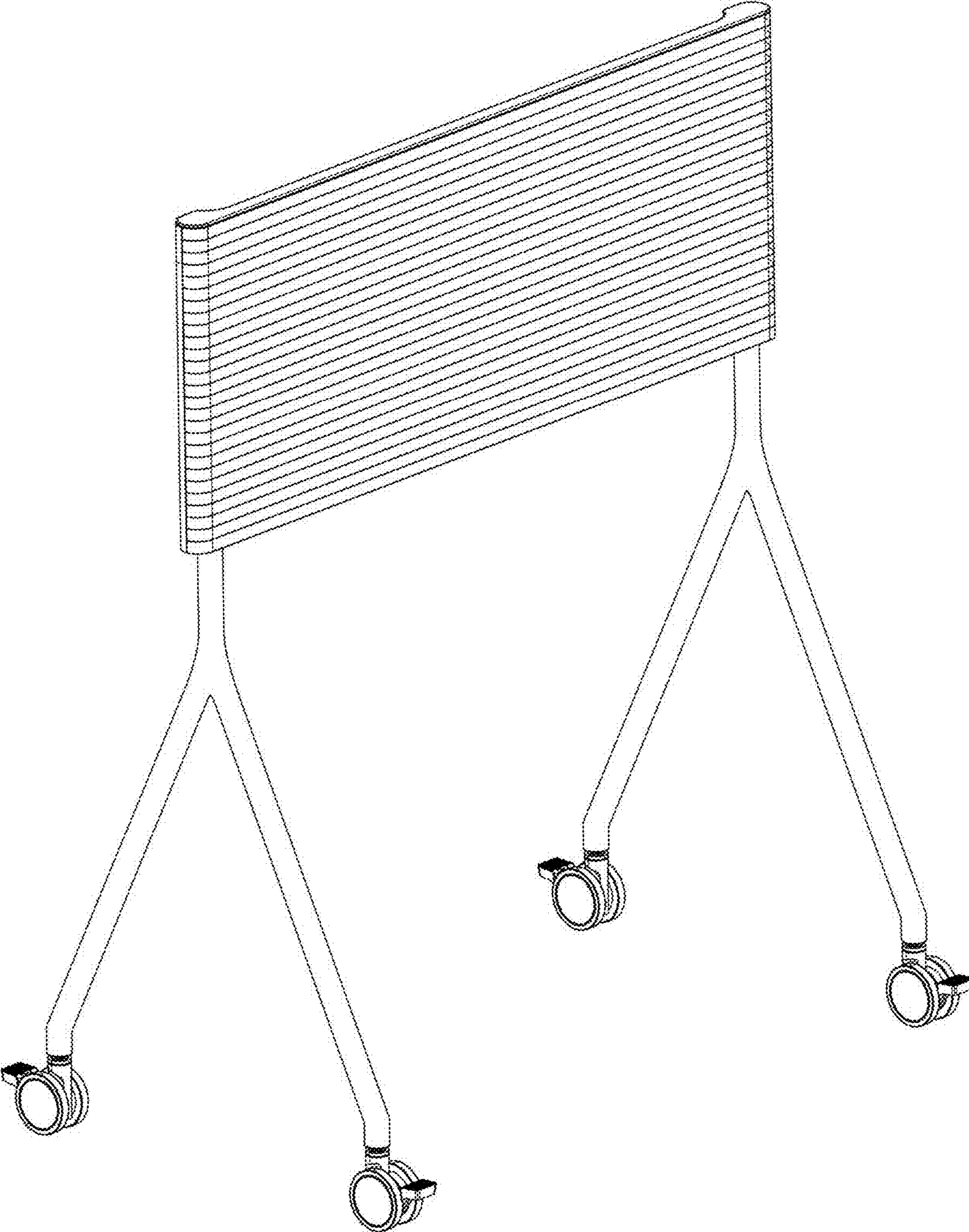


FIG. 1

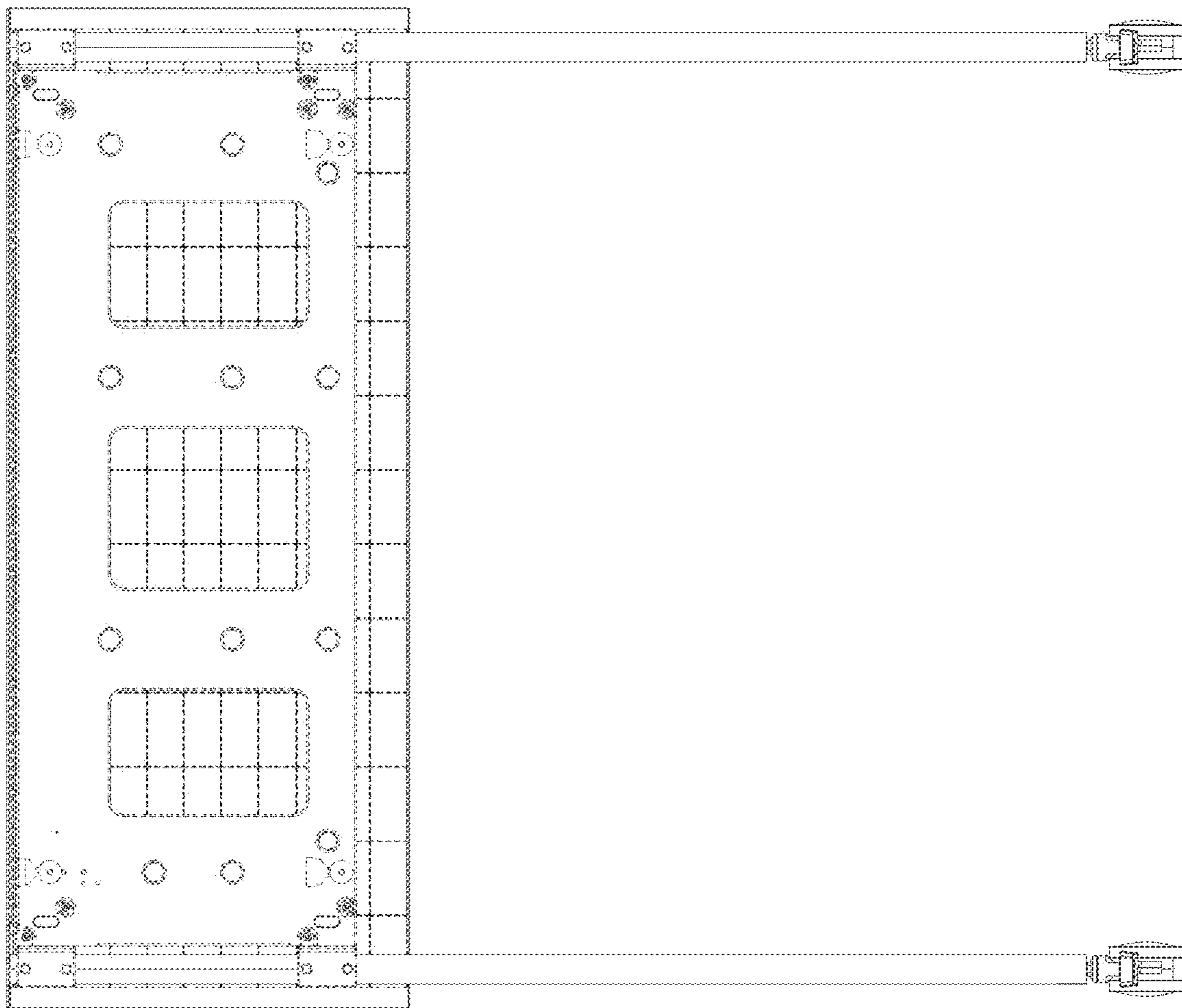


FIG. 2

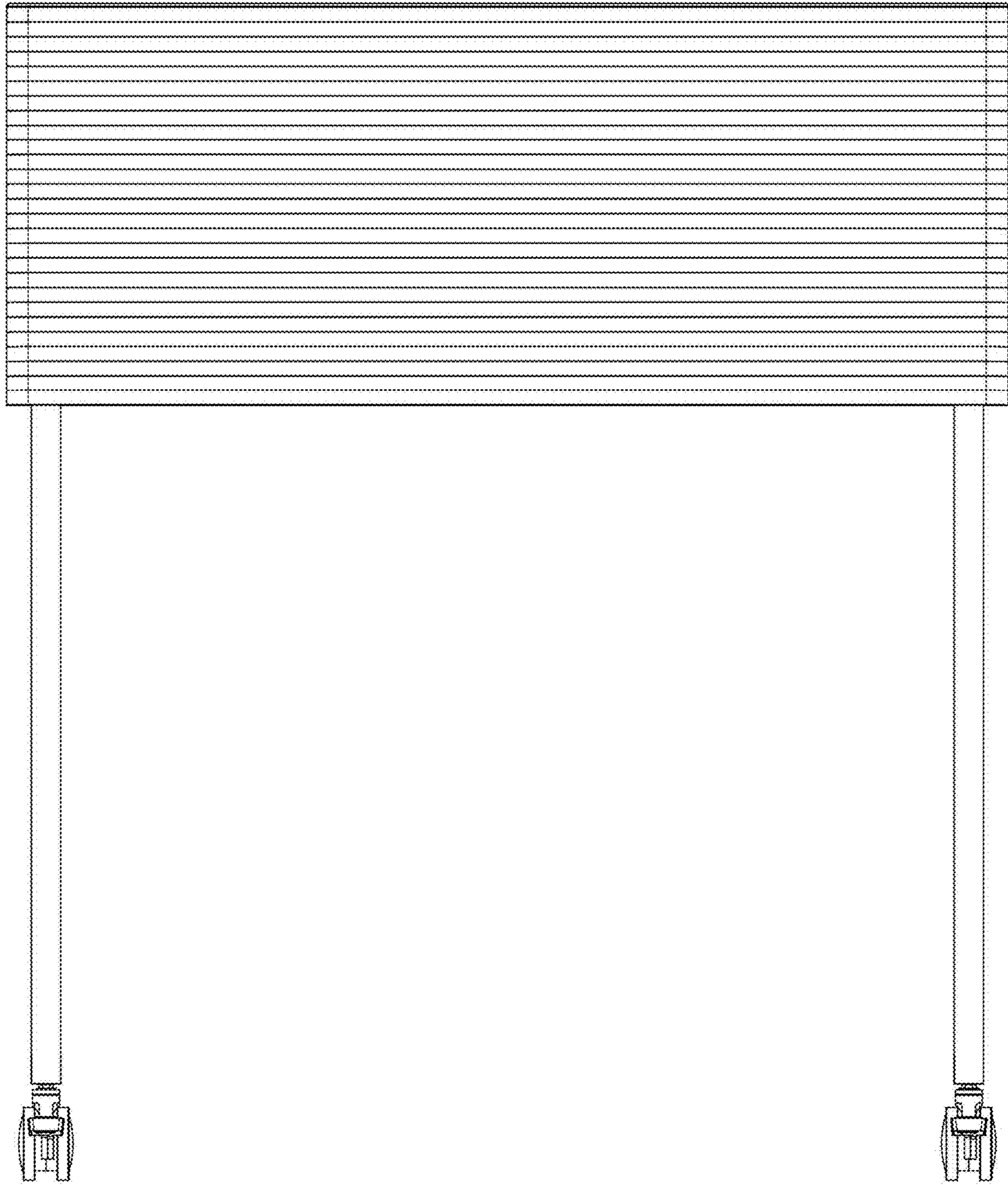


FIG. 3

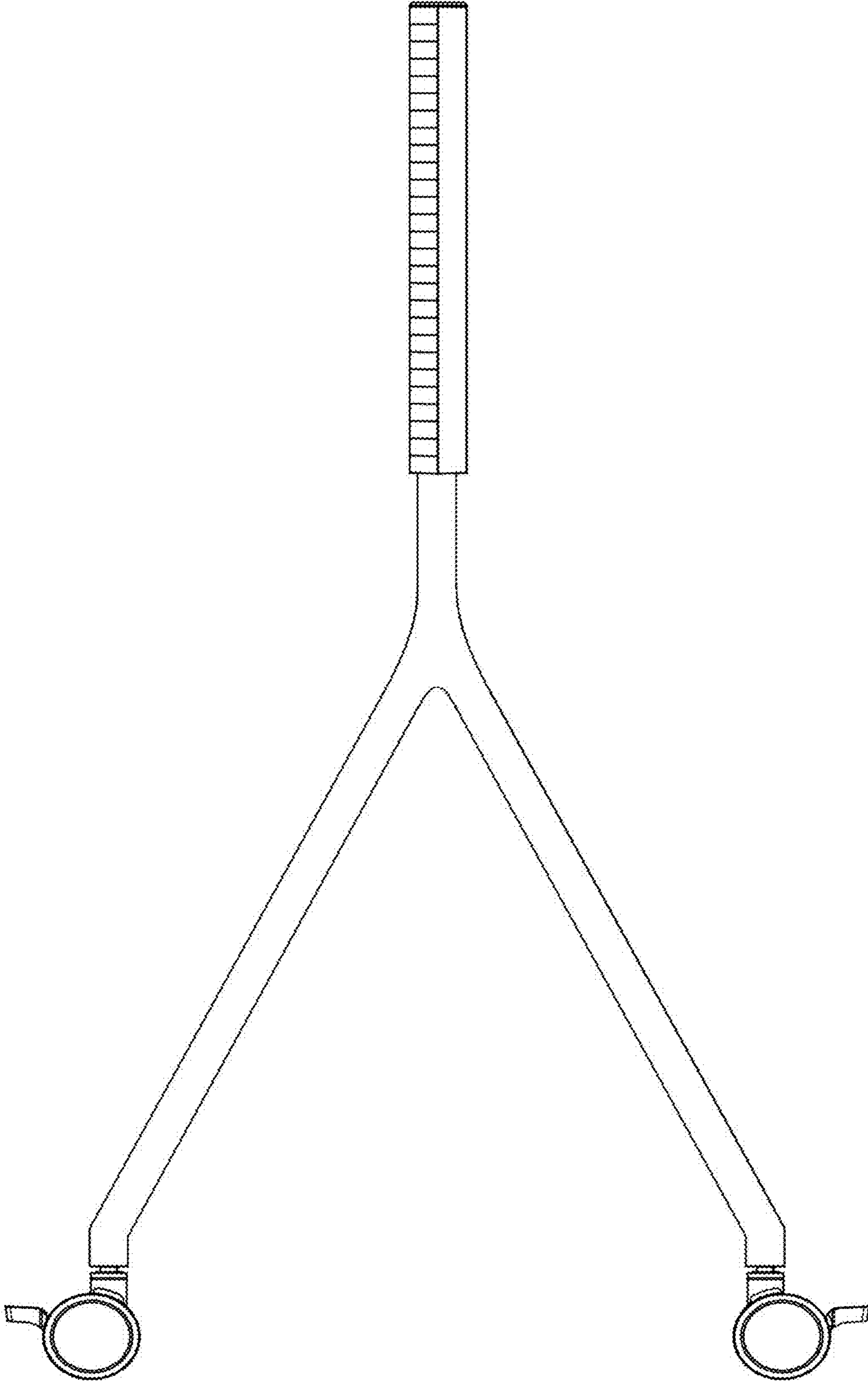


FIG. 4



FIG. 5



FIG. 6