



US00D896190S

(12) **United States Design Patent**
Fan et al.

(10) **Patent No.:** **US D896,190 S**
(45) **Date of Patent:** **** Sep. 15, 2020**

(54) **WATER COOLING DEVICE**

(71) Applicant: **AURAS Technology Co., Ltd.**, New Taipei (TW)

(72) Inventors: **Mu-Shu Fan**, New Taipei (TW);
Che-Chia Chang, New Taipei (TW);
Yu-Ting Chang, New Taipei (TW)

(73) Assignee: **AURAS TECHNOLOGY CO., LTD.**, New Taipei (TW)

(**) Term: **15 Years**

(21) Appl. No.: **29/675,514**

(22) Filed: **Jan. 3, 2019**

(30) **Foreign Application Priority Data**

Sep. 27, 2018 (TW) 107305752

(51) **LOC (12) Cl.** **13-03**

(52) **U.S. Cl.**
USPC **D13/179**

(58) **Field of Classification Search**
USPC D13/101, 118, 122, 123, 179, 182;
D15/199; D14/435, 436, 437; D23/314,
D23/330; D26/138, 141, 142, 143
CPC .. H01L 23/467; H01L 23/473; H05K 7/20272
See application file for complete search history.

(56) **References Cited**

U.S. PATENT DOCUMENTS

D639,411 S * 6/2011 Monteix D23/314
10,111,362 B2 * 10/2018 Tsai H01L 23/473
D834,161 S * 11/2018 Szolony D23/330
2005/0189096 A1 * 9/2005 Wilson F28D 1/05366
165/152
2011/0272120 A1 * 11/2011 Joshi F28D 1/0426
165/104.13
2014/0008039 A1 * 1/2014 Liu F28D 15/00
165/104.13

2017/0257979 A1 * 9/2017 Wu H05K 7/20272
2018/0269131 A1 * 9/2018 Na H01L 23/473
2019/0104641 A1 * 4/2019 Fan H01L 23/473
(Continued)

FOREIGN PATENT DOCUMENTS

WO WO-2007041738 A2 * 4/2007 H05K 7/20454

OTHER PUBLICATIONS

“Fractal Design Water Cooler”. Found online Mar. 12, 2020 at newegg.com. Reference dated Apr. 24, 2017. Retrieved from <https://www.newegg.com/fractal-design-liquid-cooling-system/p/N82E16835352030>. (Year: 2017).*

(Continued)

Primary Examiner — Kendra Leslie Hamilton
Assistant Examiner — Amanda Christensen
(74) *Attorney, Agent, or Firm* — WPAT, PC

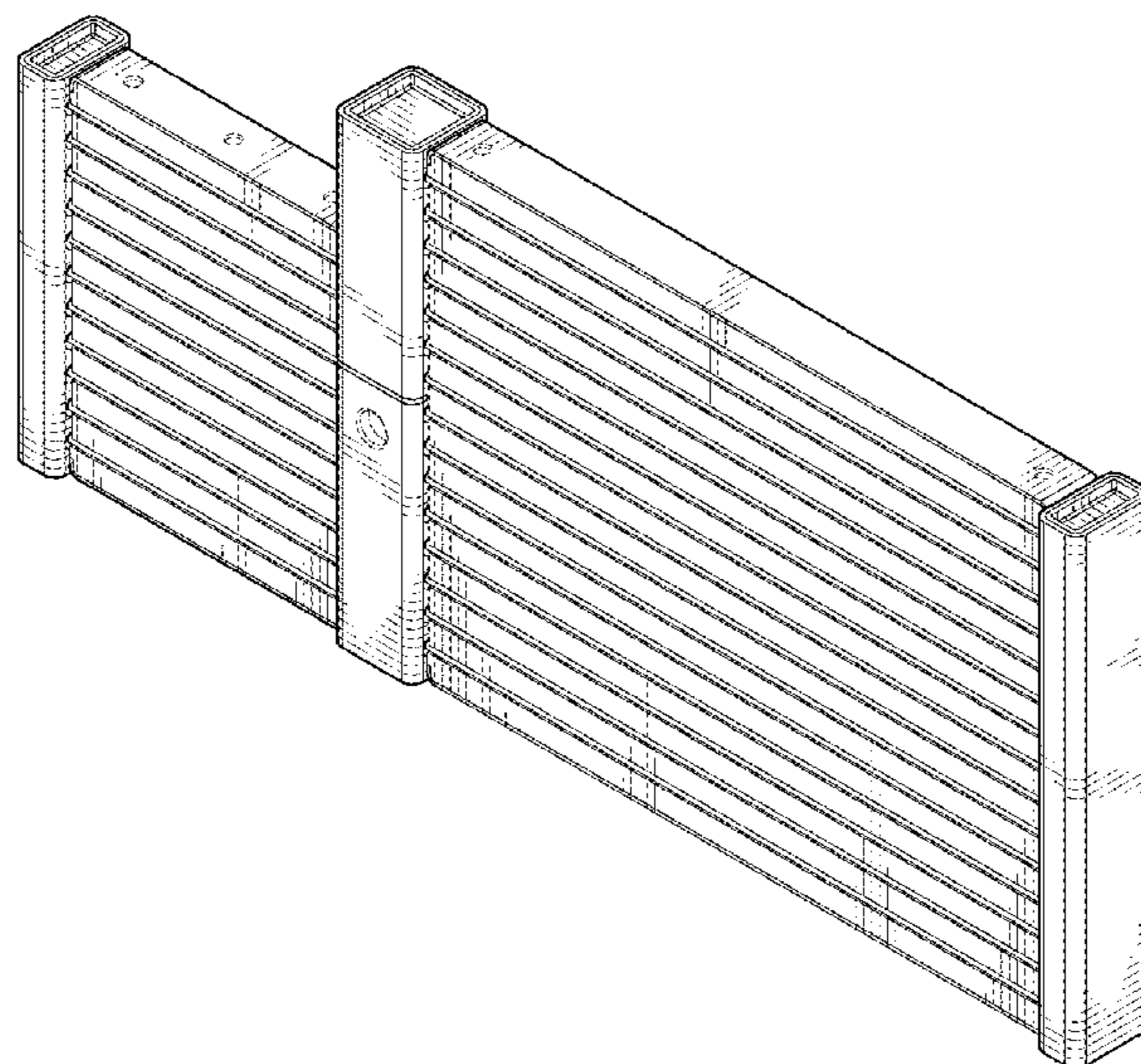
(57) **CLAIM**

The ornamental design for a water cooling device, as shown and described.

DESCRIPTION

FIG. 1 is a front, top, right perspective view of a water cooling device, showing our new design;
FIG. 2 is a front, top, left perspective view thereof;
FIG. 3 is a back, top, left perspective view thereof;
FIG. 4 is a back, bottom, left perspective view thereof;
FIG. 5 is a front view thereof;
FIG. 6 is a back view thereof;
FIG. 7 is a left view thereof;
FIG. 8 is a right view thereof;
FIG. 9 is a top view thereof; and,
FIG. 10 is a bottom view thereof.
The broken lines in the drawings depict portions of the water cooling device that form no part of the claimed design.

1 Claim, 8 Drawing Sheets



(56)

References Cited

U.S. PATENT DOCUMENTS

2019/0215987 A1* 7/2019 Lan H01L 23/467
2019/0254193 A1* 8/2019 Li H01L 23/473

OTHER PUBLICATIONS

“Liquid Cooling”. Found online Mar. 12, 2020 at pugetsystems.com. Reference dated Mar. 29, 2011. Retrieved from <https://www.pugetsystems.com/blog/2011/03/29/liquid-cooling/>. (Year: 2011).*
“NZXT Cooling System”. Found online Mar. 17, 2020 at amazon.com. Reference dated Jun. 16, 2014. Retrieved from <https://www.amazon.com/NZXT-Kraken-Liquid-Cooling-RL-KRX61-01/dp/B00L0YLJG>. (Year: 2014).*

* cited by examiner

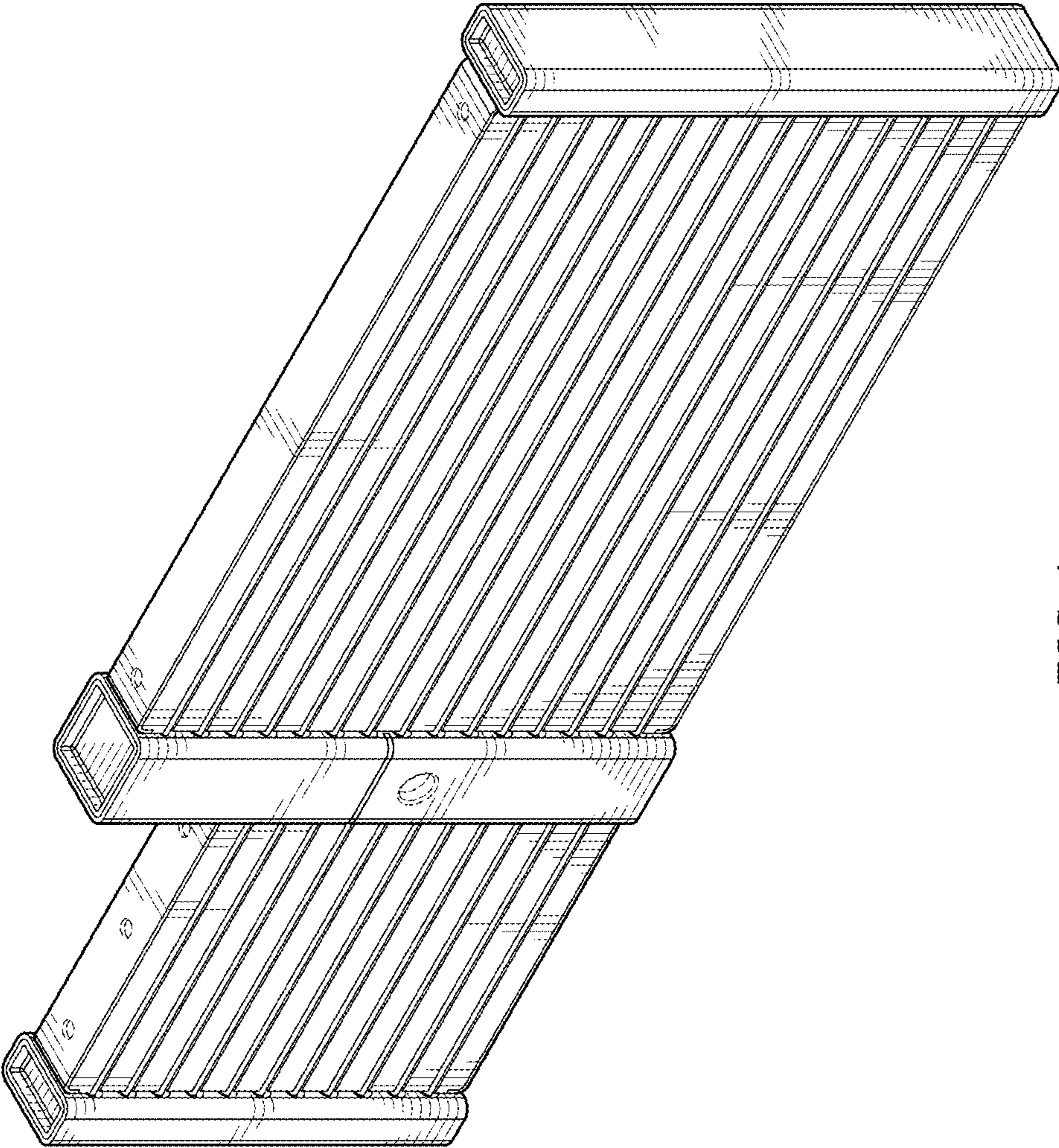


FIG. 1

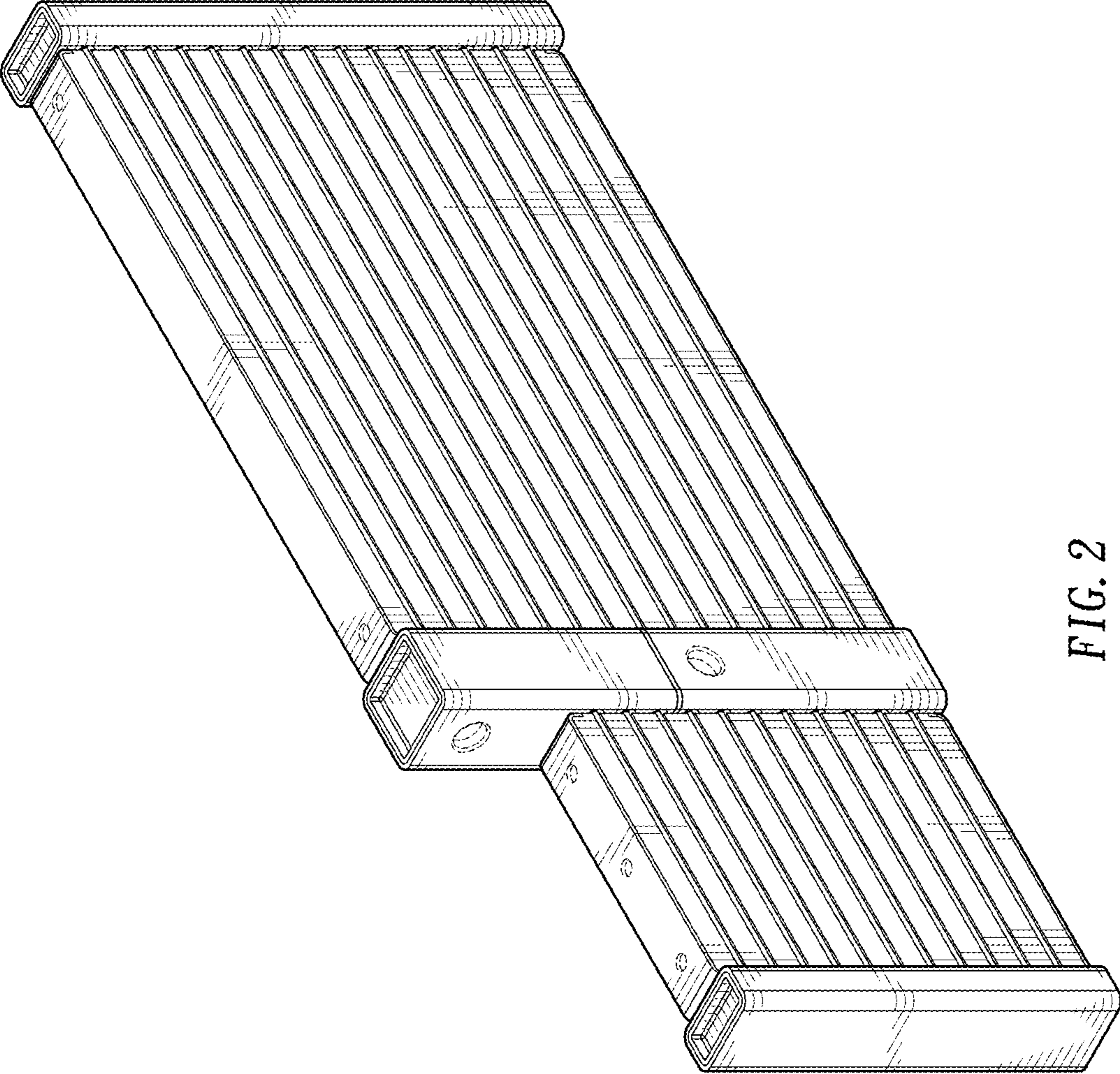


FIG. 2

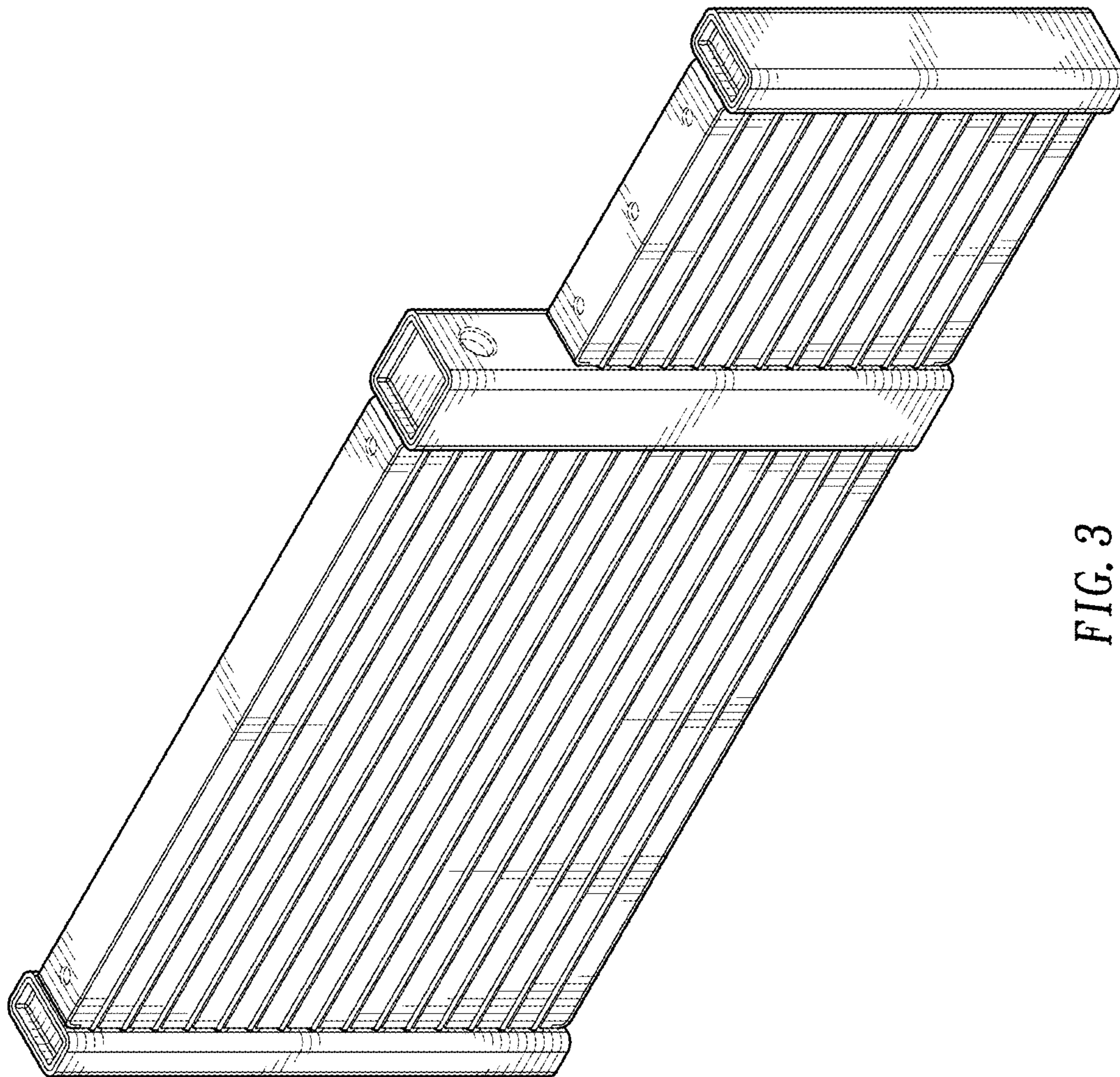


FIG. 3

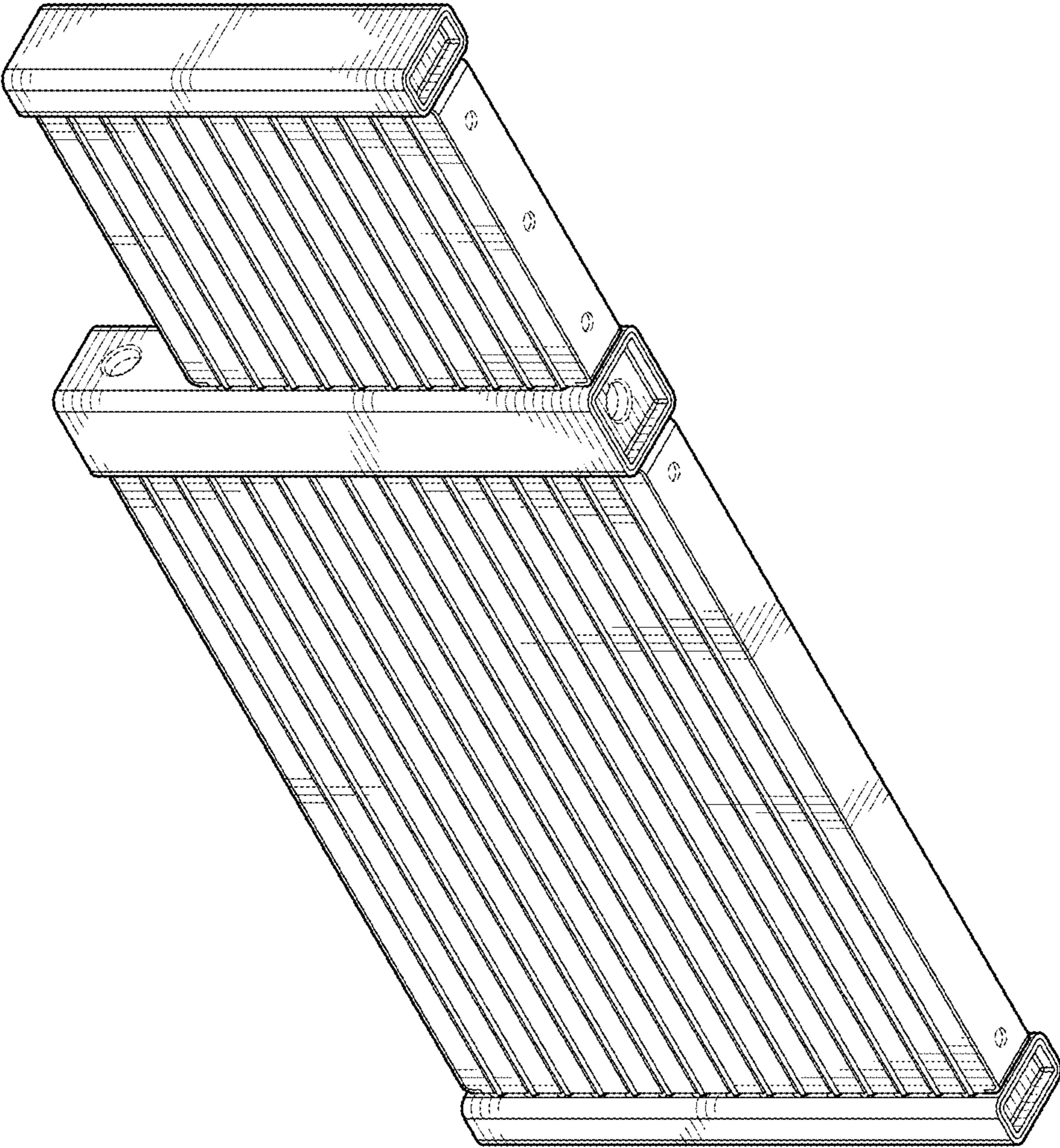


FIG. 4

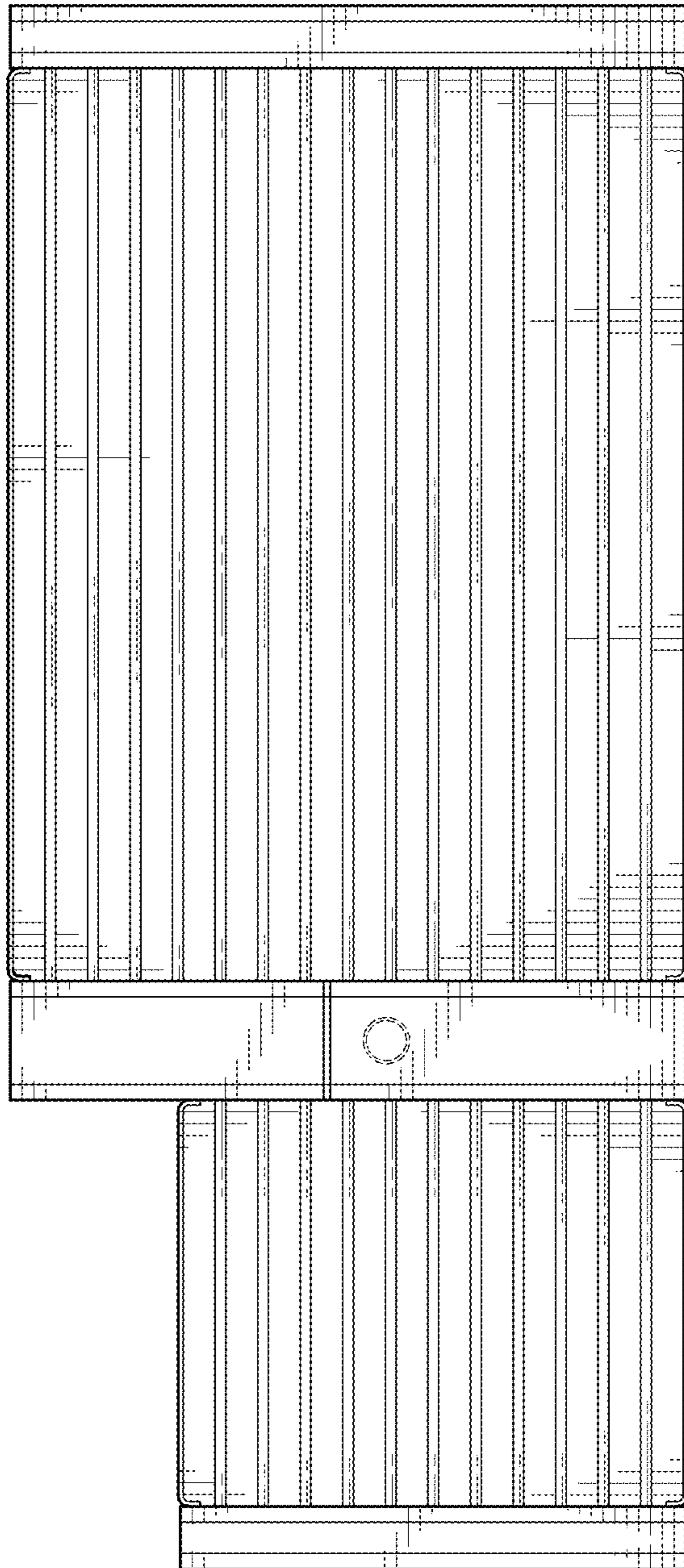


FIG. 5

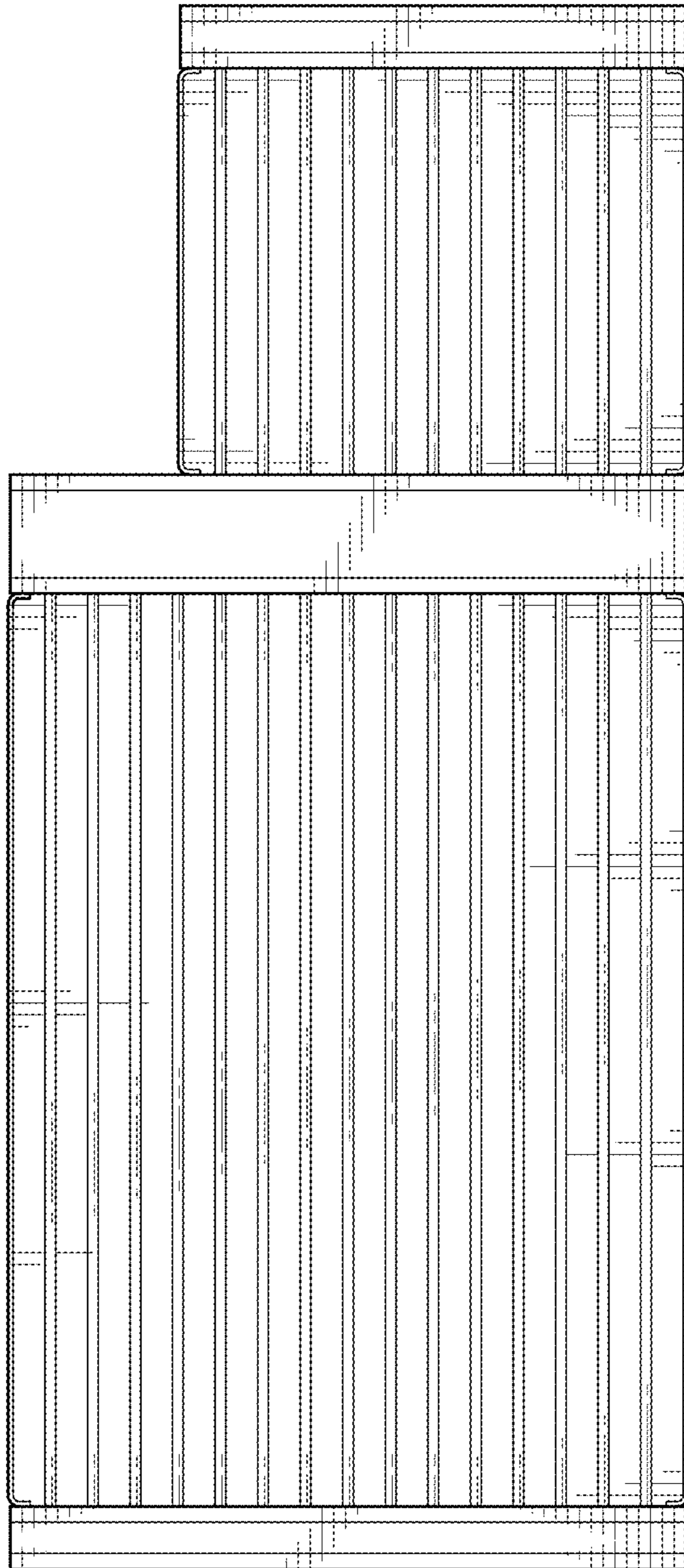


FIG. 6

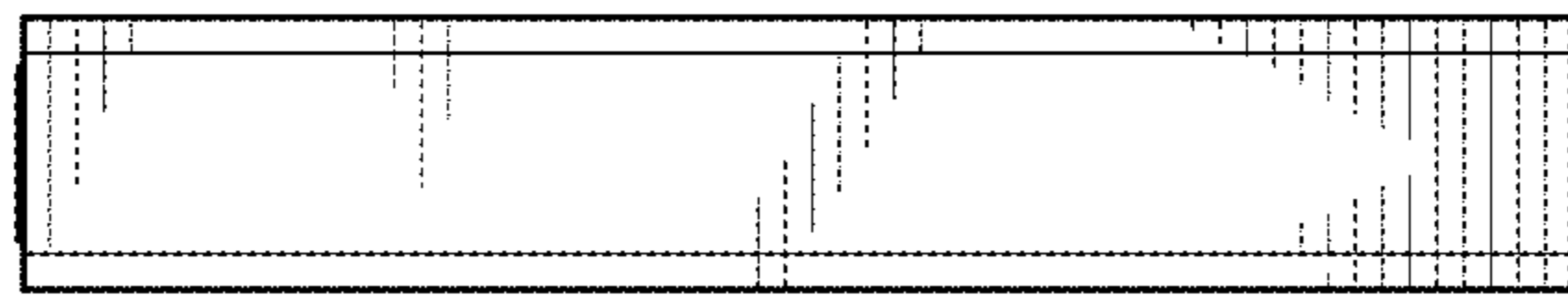


FIG. 8

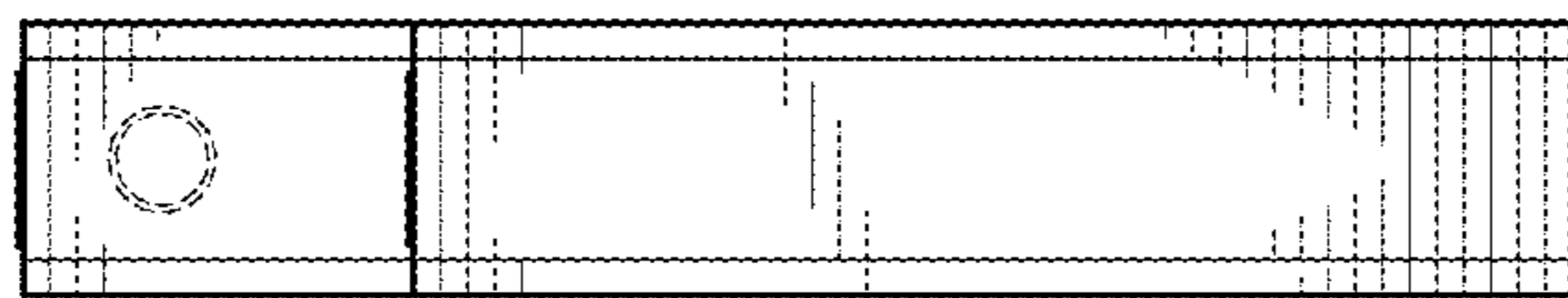


FIG. 7

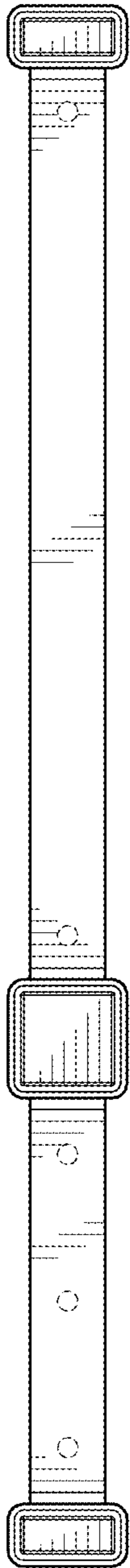


FIG. 9

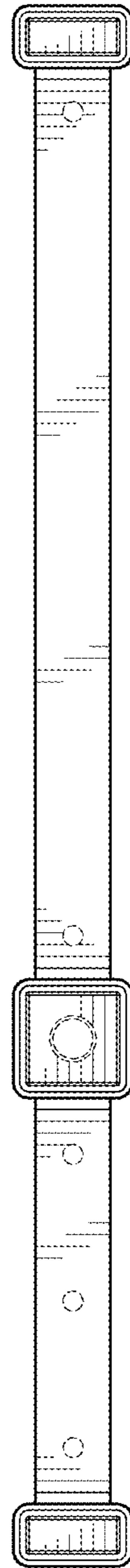


FIG. 10