



US00D896186S

(12) **United States Design Patent**  
**Fawcett et al.**

(10) **Patent No.:** **US D896,186 S**  
(45) **Date of Patent:** **\*\* Sep. 15, 2020**

(54) **COMBINED FLEXIBLE DOCKING CABLE AND SUPPORT FOR MOBILE DEVICE**

(71) Applicant: **FUSE CHICKEN, LLC**, Cuyahoga Falls, OH (US)

(72) Inventors: **Jonathan Eric Fawcett**, Stow, OH (US); **Aaron Daniel Marshall**, Uniontown, OH (US)

(73) Assignee: **FUSE CHICKEN, LLC**, Cuyahoga Falls, OH (US)

(\*\*) Term: **15 Years**

(21) Appl. No.: **29/661,403**

(22) Filed: **Aug. 27, 2018**

**Related U.S. Application Data**

(62) Division of application No. 29/591,675, filed on Jan. 23, 2017, now Pat. No. Des. 826,866.

(51) **LOC (12) Cl.** ..... **13-03**

(52) **U.S. Cl.**  
USPC ..... **D13/153**

(58) **Field of Classification Search**  
USPC ..... D13/102-110, 118-119, 184, 199, 154, D13/147, 133, 153, 146; D14/251, 253, D14/356, 432  
CPC ..... Y02E 60/12; Y02T 90/14; Y02T 90/122; Y02T 90/128; Y02T 90/163; H02J 7/025; H02J 7/0042; H02J 7/0044; H02J 7/0045; H02J 7/0003; H01F 38/14; H01R 13/6675; H01M 2/1022; H01M 2/1055; H01M 10/44; H01M 10/46; H01M 10/425; B60L 11/182  
See application file for complete search history.

(56) **References Cited**

**U.S. PATENT DOCUMENTS**

D620,482 S \* 7/2010 Chen ..... D14/225  
D636,337 S \* 4/2011 Smith ..... D13/147

D699,188 S \* 2/2014 Akana ..... D13/147  
D716,235 S \* 10/2014 Tien ..... D13/147  
D793,344 S \* 8/2017 Wang ..... D13/153  
D804,291 S \* 12/2017 Fawcett ..... D8/356  
D819,576 S \* 6/2018 Hahn ..... D13/153  
D820,786 S \* 6/2018 Fawcett ..... D13/133  
D824,388 S \* 7/2018 Fawcett ..... D14/433

(Continued)

**OTHER PUBLICATIONS**

Fuse Chicken Bobine Flex Flexible Dock with Lightning Port for iPhone, first available on Mar. 28, 2018 on amazon.com, retrieved on May 28, 2020, retrieved from the Internet URL: [https://www.amazon.com/Fuse-Chicken-Bobine-Flex-Compatible/dp/B07CD32HH3/ref=sr\\_1\\_8?dchild=1&qid=1590687064&sr=8-8&srs=8467834011](https://www.amazon.com/Fuse-Chicken-Bobine-Flex-Compatible/dp/B07CD32HH3/ref=sr_1_8?dchild=1&qid=1590687064&sr=8-8&srs=8467834011).\*

*Primary Examiner* — Catherine S Posthauer

*Assistant Examiner* — Alison M Ofstun

(74) *Attorney, Agent, or Firm* — Christopher C. Dremann, P.C.; Christopher D. Dremann

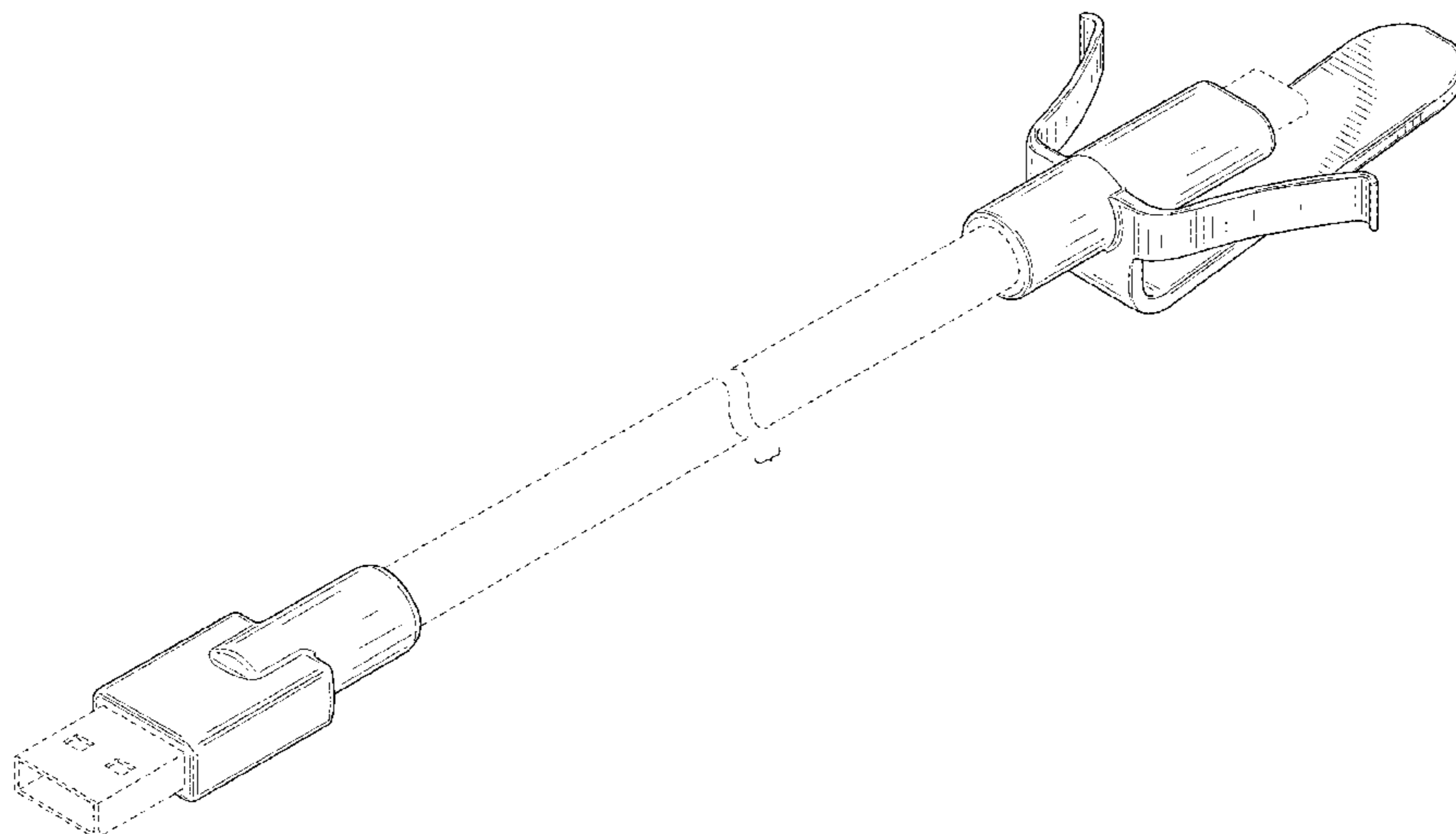
(57) **CLAIM**

The ornamental design for a combined flexible docking cable and support for mobile device, as shown and described.

**DESCRIPTION**

FIG. 1 is a perspective view of a combined flexible docking cable and support for mobile device;  
FIG. 2 is a front view thereof;  
FIG. 3 is a rear view thereof;  
FIG. 4 is a right side view thereof;  
FIG. 5 is a left side view thereof;  
FIG. 6 is a top view thereof; and,  
FIG. 7 is a bottom view thereof.  
In the drawings, the broken lines represent portions of the article which form no part of the claimed design. The broken away symbols indicate that the appearance of any portion of the article between the break lines forms no part of the claimed design.

**1 Claim, 4 Drawing Sheets**



(56)

**References Cited**

U.S. PATENT DOCUMENTS

D826,173 S \* 8/2018 Chen ..... D13/147  
D826,866 S \* 8/2018 Fawcett ..... D13/153  
D864,121 S \* 10/2019 Liu ..... D13/153  
2013/0270002 A1 \* 10/2013 Fawcett ..... H01R 11/01  
174/845  
2016/0149353 A1 \* 5/2016 Chen ..... H01R 13/6675  
439/490  
2020/0021123 A1 \* 1/2020 Abdul ..... H02J 50/10  
2020/0119500 A1 \* 4/2020 Elagha ..... H02J 7/0042

\* cited by examiner

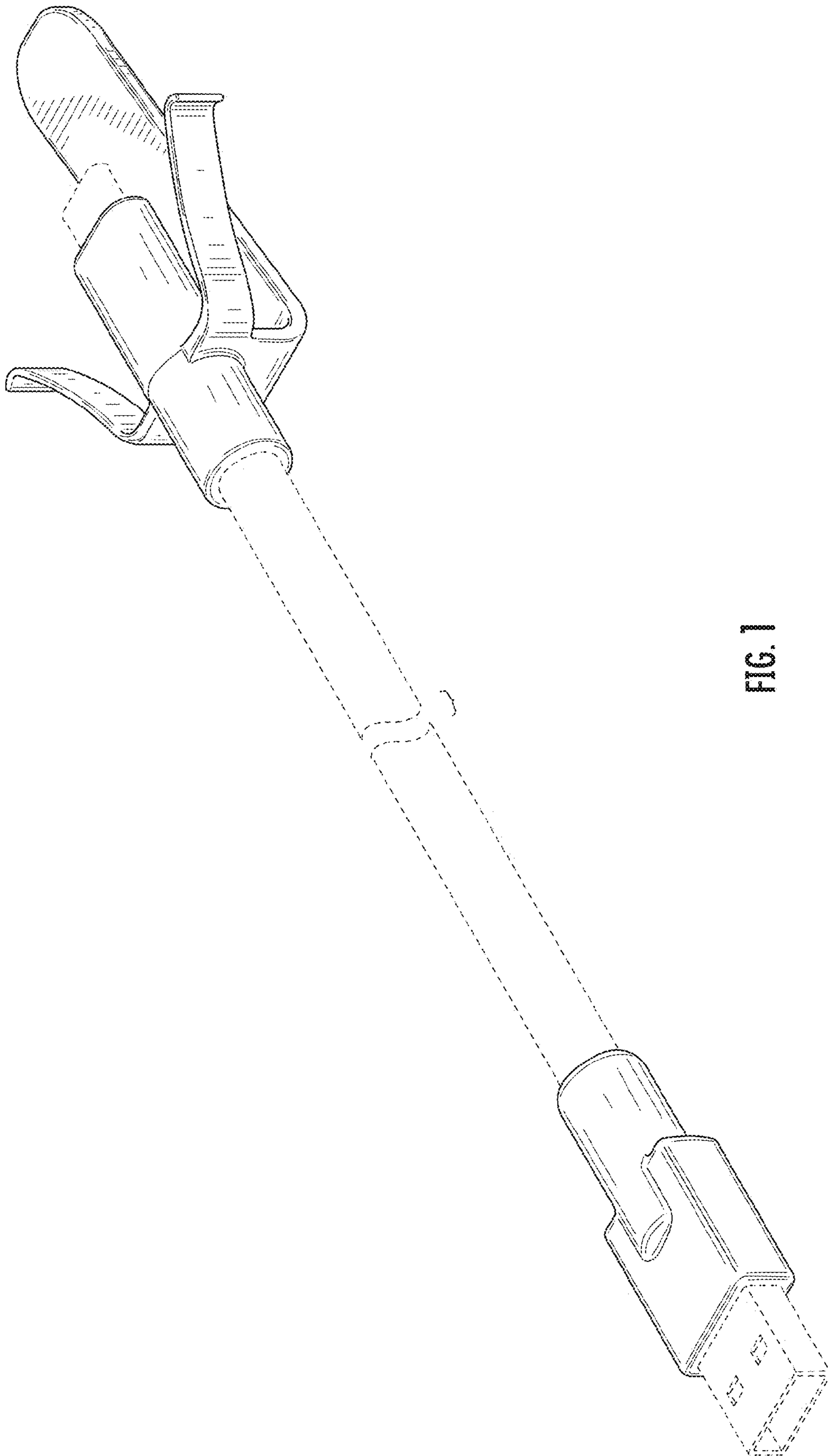


FIG. 1

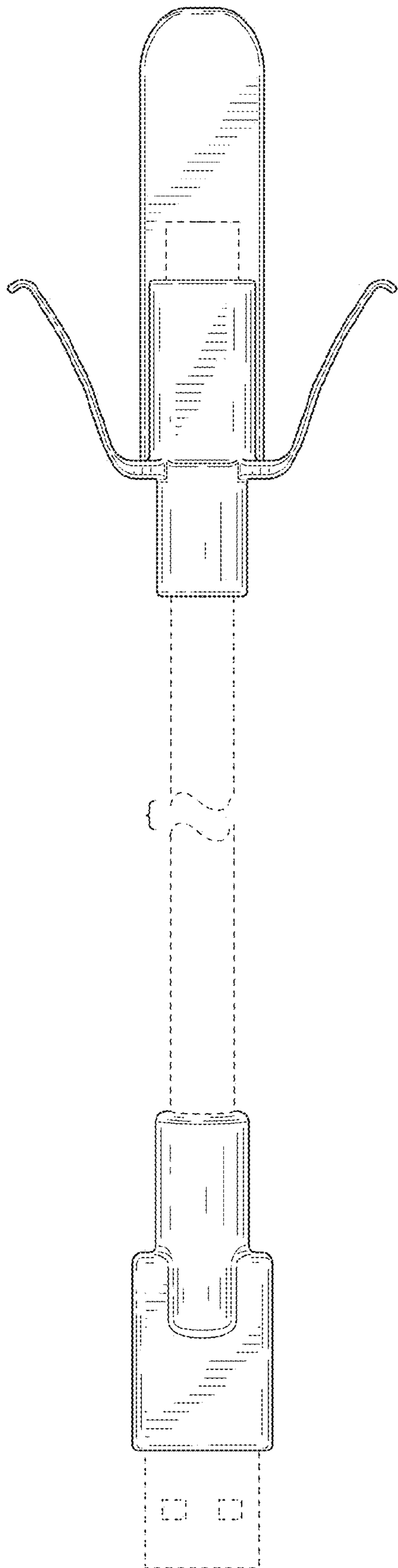


FIG. 2

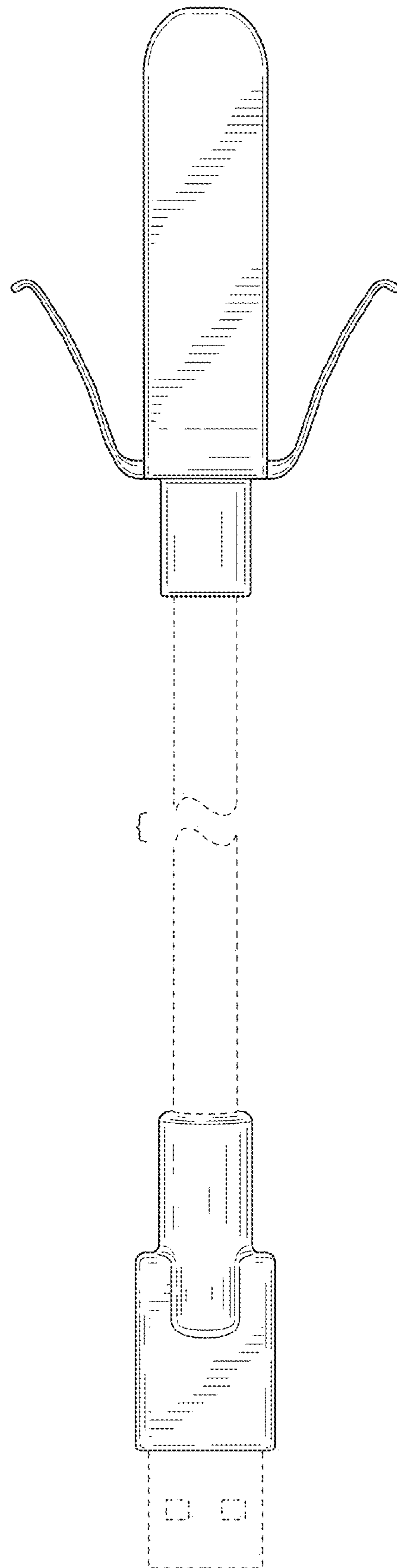


FIG. 3

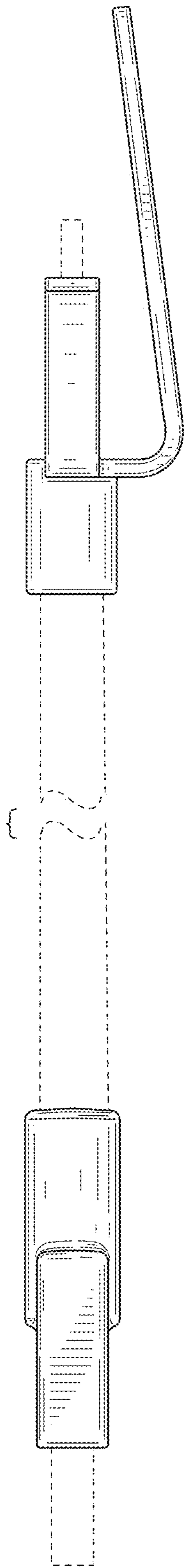


FIG. 4

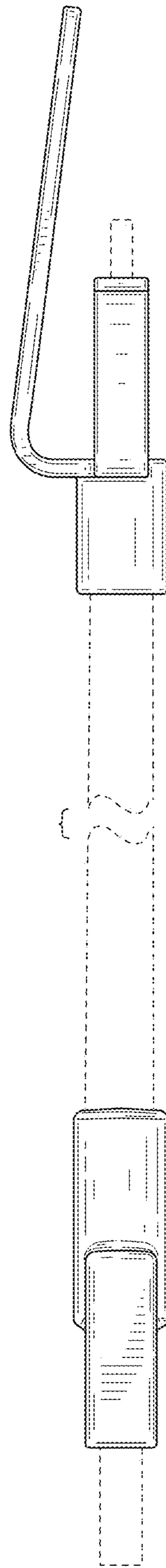


FIG. 5

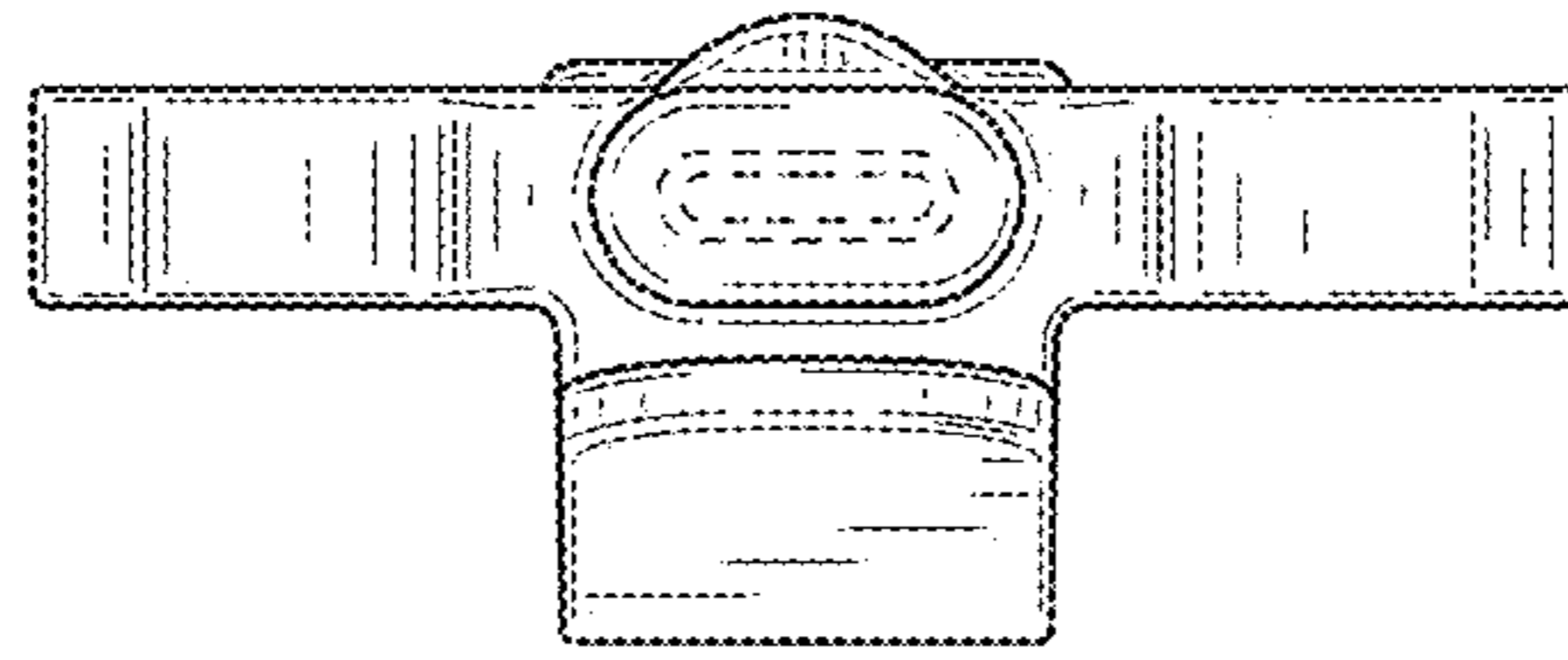


FIG. 6

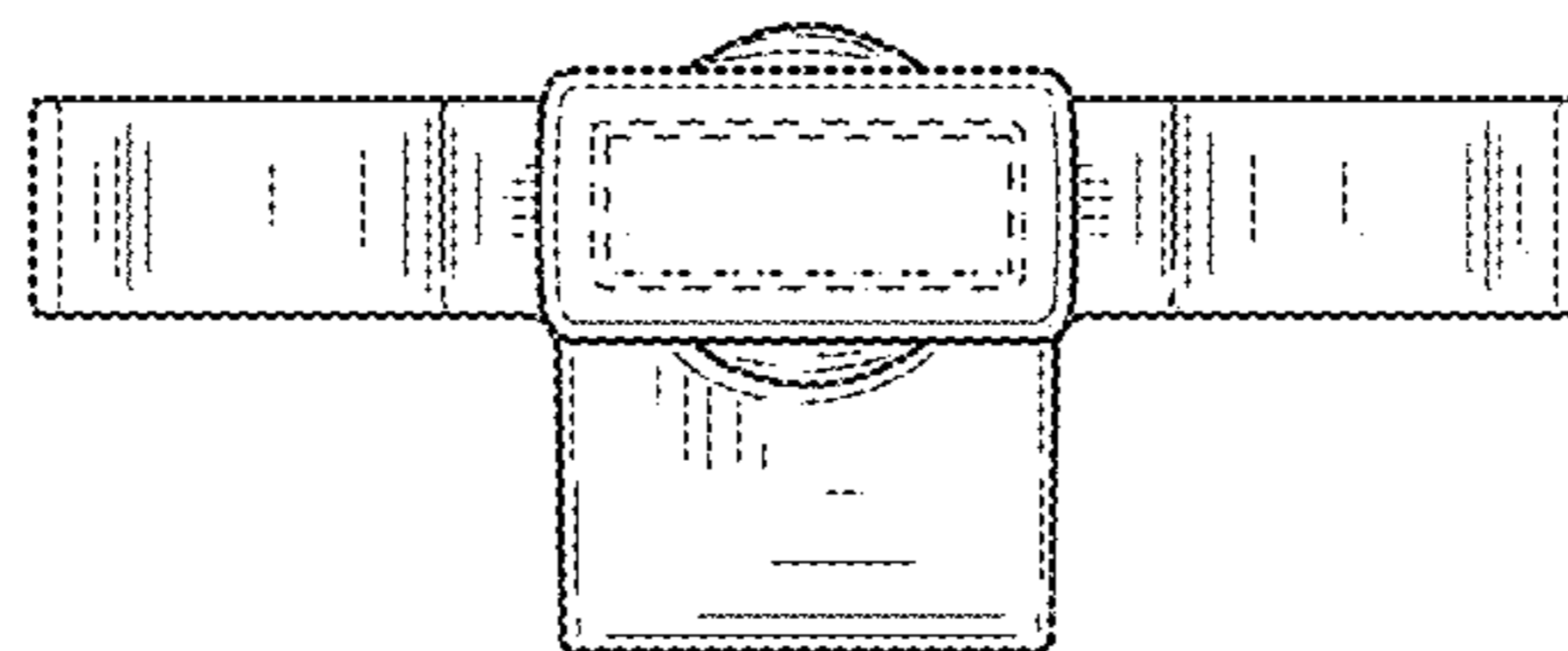


FIG. 7