



US00D896185S

(12) **United States Design Patent**  
**Turksu et al.**

(10) **Patent No.:** **US D896,185 S**  
(45) **Date of Patent:** **\*\* Sep. 15, 2020**

(54) **TWO IN ONE CONNECTOR**  
(71) Applicant: **SARIANA, LLC**, San Diego, CA (US)  
(72) Inventors: **Alan Turksu**, San Diego, CA (US);  
**Mustafa Burak Guclu**, San Diego, CA (US)  
(73) Assignee: **SARIANA, LLC**, San Diego, CA (US)  
(\*\*) Term: **15 Years**

1,550,588 A 8/1925 Soldani  
1,646,562 A 10/1927 Snow  
1,671,862 A 5/1928 Heinz  
D137,618 S 4/1944 Rolfes  
D147,151 S 7/1947 Schinske  
2,436,292 A 2/1948 De Mott  
2,629,023 A 2/1953 La Fitte  
D182,462 S 4/1958 Gallion  
2,878,324 A 3/1959 Guerrero  
(Continued)

(21) Appl. No.: **29/699,817**  
(22) Filed: **Jul. 29, 2019**

**Related U.S. Application Data**

(63) Continuation of application No. 29/668,268, filed on Oct. 29, 2018.  
(51) **LOC (12) Cl.** ..... **13-03**  
(52) **U.S. Cl.**  
USPC ..... **D13/147**; D14/433  
(58) **Field of Classification Search**  
USPC ..... D13/110, 118, 120, 123, 133,  
D13/137.1–137.4, 139.1–139.8, 146, 147,  
D13/153, 154, 184, 107, 108; D14/432,  
D14/433, 435.1, 438, 439, 137, 205–206,  
D14/217, 218, 223, 225, 248, 256, 240,  
D14/242, 356, 357, 358, 383, 384, 385,  
D14/386, 434, 435, 480.1, 480.3, 480.4,  
D14/480.5, 480.6, 480.7  
CPC ..... H01R 25/00; H01R 25/003; H01R 27/00;  
H01R 27/02; H01R 31/005; H01R 24/28;  
H01R 13/46  
See application file for complete search history.

(56) **References Cited**

**U.S. PATENT DOCUMENTS**

1,165,840 A 12/1915 Brutus  
1,359,347 A 11/1920 Fleisher  
1,475,605 A 11/1923 Smith

**OTHER PUBLICATIONS**

“Satechi Launches Dual-Connector Type-C Multimedia Adapter, Supporting Two 4K Displays,” Type-C Dual Multimedia Adapter pictured therein, online, post date Aug. 22, 2019, URL: <https://www.macrumors.com/2019/08/22/satechi-dual-type-c-adapted>, retrieved May 4, 2020.\*

(Continued)

*Primary Examiner* — Jeffrey D Asch  
*Assistant Examiner* — Rebekah A Caruso  
(74) *Attorney, Agent, or Firm* — Wagenknecht IP Law Group, PC

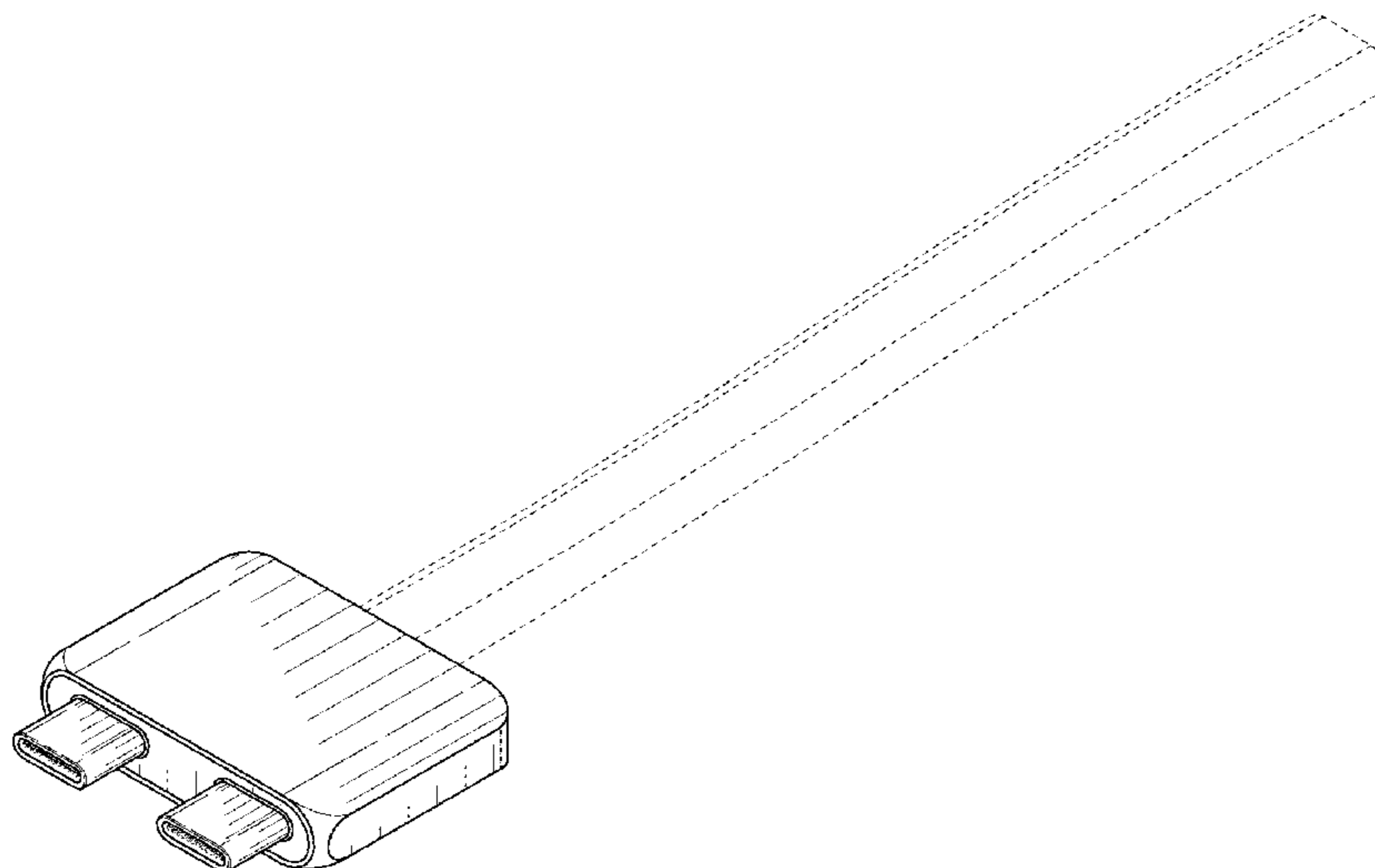
(57) **CLAIM**

What is claimed is the ornamental design for a two in one connector, as shown and described.

**DESCRIPTION**

FIG. 1 is a front, top, left perspective view of a two in one connector showing our new design;  
FIG. 2 is a front elevational view thereof;  
FIG. 3 is a rear elevational view thereof;  
FIG. 4 is a right side elevational view thereof;  
FIG. 5 is a left side elevational view thereof;  
FIG. 6 is a top plan view thereof; and,  
FIG. 7 is a bottom plan view thereof; wherein the broken lines are for illustrative purposes only and form no part of the claimed design.

**1 Claim, 3 Drawing Sheets**



(56)

References Cited

U.S. PATENT DOCUMENTS

2,987,585 A	6/1961	Abysalh	D588,545 S	3/2009	Andre et al.	
3,224,644 A	12/1965	Davis	7,499,271 B2	3/2009	Wagatsuma et al.	
3,693,923 A	9/1972	Ayoub et al.	D591,270 S	4/2009	Jakobson et al.	
3,695,568 A	10/1972	Hogrebe	D593,103 S	5/2009	Richter	
D227,117 S	6/1973	Breger	D593,998 S	6/2009	Bentley et al.	
D230,014 S	1/1974	Edgell, Sr.	D595,697 S	7/2009	Mao et al.	
4,060,697 A	11/1977	Neal	D599,331 S	9/2009	Bentley et al.	
D254,594 S	4/1980	Picard	D600,925 S	9/2009	Guffey	
D273,840 S	5/1984	Morita	D601,564 S	10/2009	Maeno	
4,527,018 A	7/1985	Offredi	D602,008 S	10/2009	Bentley et al.	
D285,772 S	9/1986	Oliver	D602,911 S	10/2009	Wang et al.	
D286,636 S	11/1986	Cooke et al.	D602,917 S	10/2009	Bentley	
4,856,746 A	8/1989	Wrobel et al.	D602,940 S	10/2009	McLean	
D308,870 S	6/1990	Rioux, Jr.	D604,725 S	11/2009	Chen	
D320,992 S	10/1991	Jondelius	D606,549 S	12/2009	He	
5,095,382 A	3/1992	Abe	D610,156 S	2/2010	Mudrick	
D325,578 S	4/1992	Daido et al.	D613,249 S	4/2010	Nagata et al.	
D329,370 S	9/1992	Manning	D627,306 S	11/2010	Charleux	
5,144,290 A	9/1992	Honda et al.	7,841,876 B2	11/2010	Lin et al.	
5,367,570 A	11/1994	Figueroa	D628,537 S	12/2010	Nagata et al.	
D353,532 S	12/1994	Miller	D635,978 S	4/2011	Chen	
D355,913 S	2/1995	Chong	D636,342 S	* 4/2011	Sasaki .....	D13/147
D357,016 S	4/1995	Li et al.	D636,731 S	* 4/2011	Sasaki .....	D13/147
D357,248 S	4/1995	Cheng	D636,732 S	* 4/2011	Sasaki .....	D13/147
D361,987 S	9/1995	Yamazaki	D636,734 S	* 4/2011	Hsieh .....	D13/147
D369,149 S	4/1996	Chang et al.	D641,753 S	7/2011	Obata	
D371,793 S	7/1996	Patton	D642,585 S	8/2011	Lan et al.	
D387,784 S	12/1997	Nakamura	D645,027 S	9/2011	Gougherty et al.	
D395,280 S	6/1998	Phelps	D646,682 S	10/2011	Lim et al.	
D400,429 S	11/1998	Morita	D658,640 S	5/2012	Ivaskevicius	
D405,064 S	2/1999	Iino	D659,094 S	5/2012	Brand et al.	
D407,985 S	4/1999	Pimentel	D661,249 S	6/2012	Smith et al.	
D413,574 S	9/1999	Goto	D662,089 S	6/2012	Gougherty et al.	
D422,560 S	4/2000	Lok	D664,146 S	7/2012	Hoehn et al.	
D426,491 S	6/2000	Chan	D665,734 S	8/2012	Fitch et al.	
D430,882 S	9/2000	Tsai	D669,473 S	10/2012	Gronau et al.	
D432,496 S	10/2000	Collins	D669,888 S	10/2012	Gougherty et al.	
D433,005 S	10/2000	McGugan	D670,291 S	11/2012	Dalton	
D435,835 S	1/2001	Steck	D670,297 S	11/2012	Huang	
D438,451 S	3/2001	Reiter	D671,096 S	11/2012	Song et al.	
D441,639 S	5/2001	Reiter	D671,491 S	* 11/2012	Zaslavsky .....	D13/110
6,321,340 B1	11/2001	Shin et al.	D671,528 S	11/2012	Fathollahi	
D451,886 S	12/2001	Goto	D675,991 S	* 2/2013	Sasada .....	D13/147
D461,400 S	8/2002	Aoki	D677,259 S	3/2013	van der Lande	
D461,794 S	8/2002	Polito et al.	D678,286 S	3/2013	Cheng	
D464,482 S	10/2002	Shiu	D683,251 S	5/2013	Dumas et al.	
D464,562 S	10/2002	Reiter	D683,703 S	* 6/2013	Akana .....	D13/147
D464,972 S	10/2002	Carrasco, Jr.	D684,145 S	6/2013	Rath	
D478,086 S	8/2003	Chuang	D684,976 S	* 6/2013	Akana .....	D14/433
D478,087 S	8/2003	Aldridge	D685,806 S	7/2013	Kim et al.	
6,612,534 B2	9/2003	Hennessey	D687,009 S	7/2013	Song et al.	
D482,674 S	11/2003	Rath et al.	D688,198 S	8/2013	Takeshita et al.	
D484,128 S	12/2003	Chung	D688,248 S	8/2013	Tsuda et al.	
D488,783 S	4/2004	Goto	D688,255 S	8/2013	Daniel	
D492,307 S	6/2004	Aqqad et al.	8,512,079 B2	8/2013	Vroom et al.	
D496,029 S	9/2004	Skulley et al.	D689,858 S	9/2013	Lo et al.	
D500,986 S	1/2005	Li	D690,707 S	10/2013	Minn et al.	
D511,985 S	11/2005	Kelly, Jr.	D691,879 S	10/2013	Bernard	
D512,417 S	12/2005	Hirakawa et al.	D691,947 S	10/2013	Cole et al.	
D515,040 S	2/2006	Jones et al.	D692,024 S	10/2013	Seong et al.	
D518,030 S	3/2006	Lin	D693,768 S	11/2013	Alesi et al.	
D522,531 S	6/2006	Solomon et al.	D696,673 S	12/2013	Vogel	
D526,973 S	8/2006	Gates et al.	D700,904 S	3/2014	Miller et al.	
D530,525 S	10/2006	Greene, II	D701,838 S	4/2014	Esses	
D548,700 S	8/2007	Ledbetter et al.	D702,146 S	4/2014	Giovanni	
D553,106 S	10/2007	Griffin	D702,242 S	4/2014	Tsuda et al.	
D554,115 S	10/2007	Liu et al.	D703,676 S	4/2014	Smith et al.	
D558,145 S	12/2007	Stavoe et al.	D704,177 S	5/2014	Chun et al.	
D559,848 S	1/2008	Siu	D705,189 S	5/2014	Chovin et al.	
D559,849 S	1/2008	Siu	D705,748 S	5/2014	He	
D559,850 S	1/2008	Lye	D706,248 S	6/2014	Myung et al.	
D560,165 S	1/2008	Matityahu et al.	D706,249 S	6/2014	Holzer	
D561,345 S	2/2008	Flick	D707,681 S	* 6/2014	Akana .....	D14/433
D564,501 S	3/2008	Rath	8,758,032 B2	6/2014	Liang et al.	
D580,436 S	11/2008	Kiyomiya et al.	D709,066 S	7/2014	Byun	
			D709,892 S	7/2014	Lui	
			8,777,656 B2	7/2014	Kuo et al.	
			D711,884 S	8/2014	Turksu et al.	
			8,838,029 B2	9/2014	Goldman et al.	

(56)

References Cited

U.S. PATENT DOCUMENTS

D714,729 S \* 10/2014 Akana ..... D13/147  
 D715,132 S 10/2014 McSweyn et al.  
 D715,797 S 10/2014 Hiraga  
 D716,235 S 10/2014 Tien  
 D717,803 S 11/2014 Takano et al.  
 D718,612 S 12/2014 McSweyn et al.  
 D720,691 S 1/2015 Lo et al.  
 D720,755 S 1/2015 Nokuo  
 D724,080 S 3/2015 Lin et al.  
 D725,088 S 3/2015 Kwak et al.  
 D726,161 S 4/2015 Howard et al.  
 D727,906 S 4/2015 Neumann  
 D728,467 S 5/2015 Hasbrook  
 D729,277 S 5/2015 Uchida  
 D729,773 S 5/2015 Salojarvi et al.  
 D733,043 S 6/2015 Hasbrook et al.  
 D733,144 S 6/2015 Kostrzewski et al.  
 D733,773 S 7/2015 Lee et al.  
 D736,150 S 8/2015 Liu  
 D737,201 S 8/2015 Liu  
 D739,708 S 9/2015 McSweyn et al.  
 D740,291 S 10/2015 Turksu et al.  
 D741,809 S \* 10/2015 Yoon ..... D13/147  
 D742,320 S \* 11/2015 Akana ..... D13/147  
 D743,382 S 11/2015 Katori  
 D743,924 S 11/2015 Hillenmayer et al.  
 D743,954 S 11/2015 Chuang et al.  
 D746,165 S 12/2015 Li  
 D746,166 S 12/2015 Li  
 D746,780 S \* 1/2016 Akana ..... D13/147  
 D747,229 S 1/2016 Perez  
 D747,984 S 1/2016 Zhao et al.  
 D750,083 S 2/2016 Chow  
 D750,612 S 3/2016 Chen  
 D750,633 S 3/2016 Minn et al.  
 D751,527 S 3/2016 Hinokio et al.  
 D751,560 S \* 3/2016 Akana ..... D14/433  
 D751,564 S 3/2016 Hahn et al.  
 D751,985 S \* 3/2016 Curry ..... D13/103  
 D753,090 S 4/2016 Langhammer et al.  
 D754,131 S 4/2016 Shim  
 D756,367 S 5/2016 Kim  
 D760,720 S \* 7/2016 Laffon de Mazieres .... D14/433  
 D765,623 S 9/2016 Yang et al.  
 D765,651 S 9/2016 Liu et al.  
 D766,844 S 9/2016 Turksu et al.  
 D767,486 S 9/2016 Yu  
 9,441,659 B2 9/2016 Ortwein  
 D769,860 S 10/2016 Xiao  
 D769,877 S \* 10/2016 Akana ..... D14/433  
 D772,216 S 11/2016 Lau  
 D772,878 S \* 11/2016 Chiang ..... D14/433  
 D772,879 S 11/2016 Eliyahu  
 D774,514 S 12/2016 Turksu et al.  
 D775,534 S 1/2017 Turksu et al.  
 D776,659 S 1/2017 Hou  
 D778,714 S 2/2017 McSweyn et al.  
 D779,478 S 2/2017 Justiss et al.  
 D779,493 S 2/2017 Eliyahu  
 D780,168 S 2/2017 Du  
 D780,186 S 2/2017 Lee  
 D780,901 S 3/2017 Huang  
 D781,297 S 3/2017 Liao  
 D781,785 S \* 3/2017 Akana ..... D13/147  
 D781,786 S \* 3/2017 Akana ..... D13/147  
 D782,476 S 3/2017 Yamazaki  
 D782,485 S 3/2017 Cai  
 D783,541 S \* 4/2017 Minn ..... D13/153  
 D783,592 S 4/2017 Ju  
 D786,874 S 5/2017 Eliyahu  
 D786,885 S 5/2017 Eliyahu  
 D788,080 S 5/2017 Turksu et al.  
 D788,112 S 5/2017 Liao  
 D789,348 S 6/2017 Kim  
 9,690,743 B2 6/2017 Eliyahu

D793,344 S 8/2017 Wang  
 D793,397 S 8/2017 Eliyahu  
 D794,028 S 8/2017 Lin  
 D795,876 S 8/2017 Fletcher et al.  
 D797,747 S \* 9/2017 Xu ..... D14/433  
 D798,301 S 9/2017 Kujawski et al.  
 D798,811 S 10/2017 Liao  
 D799,423 S 10/2017 Eliyahu  
 D799,463 S 10/2017 Deng  
 D799,464 S 10/2017 Zaihui  
 D800,730 S 10/2017 Liao  
 D812,577 S 3/2018 Turksu et al.  
 D813,803 S \* 3/2018 Massar ..... D13/108  
 D813,805 S 3/2018 Zhong  
 D813,875 S 3/2018 Liao  
 D814,413 S 4/2018 Zhong  
 D814,423 S \* 4/2018 Akana ..... D13/147  
 D815,639 S 4/2018 Lau  
 D816,027 S 4/2018 Chen  
 D816,030 S 4/2018 Sumida  
 D820,264 S \* 6/2018 Lai ..... D14/433  
 D826,942 S 8/2018 Lu  
 D828,839 S 9/2018 Zhang  
 D828,840 S 9/2018 Zhang  
 D828,841 S 9/2018 Zhang  
 D829,215 S 9/2018 Magargee et al.  
 D829,216 S 9/2018 Belitz et al.  
 D829,725 S 10/2018 Luo  
 D836,640 S 12/2018 Hou  
 D839,869 S 2/2019 Wang  
 D839,876 S 2/2019 Turksu et al.  
 D841,652 S \* 2/2019 Akana ..... D14/433  
 D861,618 S \* 10/2019 Zhu ..... D13/153  
 D864,208 S \* 10/2019 Duan ..... D14/433  
 D867,302 S \* 11/2019 Zhu ..... D13/147  
 D872,090 S 1/2020 Widiaman et al.  
 D876,439 S \* 2/2020 Turksu ..... D14/433  
 D878,292 S \* 3/2020 Wu ..... D13/110  
 D878,375 S \* 3/2020 Turksu ..... D14/433  
 D881,890 S \* 4/2020 Wen ..... D14/433  
 2002/0003875 A1 1/2002 Stewart et al.  
 2005/0245254 A1 11/2005 Hall  
 2008/0071153 A1 \* 3/2008 Al-Ali ..... A61B 5/1455  
 600/310  
 2009/0286419 A1 \* 11/2009 Koyama ..... H01R 27/02  
 439/358  
 2010/0315041 A1 12/2010 Tan  
 2012/0255505 A1 10/2012 Gauthier  
 2013/0072042 A1 3/2013 Liao  
 2013/0130524 A1 5/2013 Wang  
 2013/0224976 A1 8/2013 Yu et al.  
 2013/0272775 A1 10/2013 Ortwein  
 2013/0292481 A1 11/2013 Filson et al.  
 2014/0138419 A1 5/2014 Minn et al.  
 2014/0332268 A1 \* 11/2014 Wu ..... H01B 7/0225  
 174/74 R  
 2017/0035172 A1 2/2017 Kim  
 2017/0170858 A1 6/2017 Tiller et al.  
 2017/0223862 A1 8/2017 Justiss et al.  
 2017/0273202 A1 9/2017 Joo et al.  
 2018/0165053 A1 6/2018 Kuo et al.

OTHER PUBLICATIONS

Aceluxe Arm R1 Hinge Holder Stand For Table Device And Any Smartphone, amazon online, no post date, [URL: <https://uedata.amazon.com/Aceluxe-Holder-Tablet-Device-Smartphone/dp/B014I15SYY>] [Retrieved from internet on Feb. 12, 2019].  
 PECHAM Multi-Angle Stand for Cell Phone, amazon online, first review with picture posted Jun. 28, 2017 [URL: <https://www.amazon.com/PECHAM-Multi-Angle-Nintendo-Smartphones-Universal/dp/B072JCY5XY>] [Retrieved from Internet on Feb. 12, 2019].  
 Sariana, LLC, U.S. Registration No. 5,134,820, Jan. 31, 2017.  
 Satechi R1 Arm Series Review, YouTube online, post date Mar. 27, 2012, [URL: <https://www.youtube.com/watch?v=edjrfherELk>].  
 Turksu et al. "Certificate of Registration for European Community Design Registration No. 003618826-0001," Registration Date: Jan. 11, 2017. EUIPO.

(56)

**References Cited**

OTHER PUBLICATIONS

Turksu et al. "Certificate of Registration for European Community Design Registration No. 003618834-0001," Registration Date: Jan. 11, 2017. EUIPO.

UGREEN USB C Hub VGA Type C Multiport Adapter, UGREEN, first available on amazon.com on Apr. 7, 2018, retrieved on Dec. 3, 2018, [retrieve from the Internet], URL: [https://www.amazon.com/UGREEN-Multiport-Delivery-Charging-Chromebook/dp/B076WX1VKZ/ref=sr\\_1\\_1\\_sspa?ie=UTF8&qid=1543851422&sr=8-1spons&keywords=ugreen+adapte](https://www.amazon.com/UGREEN-Multiport-Delivery-Charging-Chromebook/dp/B076WX1VKZ/ref=sr_1_1_sspa?ie=UTF8&qid=1543851422&sr=8-1spons&keywords=ugreen+adapte).

Wong, Thomas. "Quick Look: Satechi Premium 4 Port Aluminum," [retrieved from Internet] <http://iSource.com/2012/07/04/quick-look-satechi-premium-4-port-aluminum-usb-hub/>, Jul. 4, 2012 [retrieved from Internet on Nov. 1, 2017] 13 pgs.

Dual USB-C Male to USB Type A and USB-C Male Cable for Macbook Pro 13.0, online, post date Jun. 23, 2017, URL: [http://m.allputer.com/mobile.php?main\\_page=product\\_info&products\\_id=3031](http://m.allputer.com/mobile.php?main_page=product_info&products_id=3031), retrieved May 8, 2020.

Platinum Dual USB-C to 8-PORT HUB, online, no post date, URL: <https://thetechnugget.com/2019/11/14/platinum-dual-usb-c-to-8-port-hub/>, retrieved May 8, 2020.

\* cited by examiner

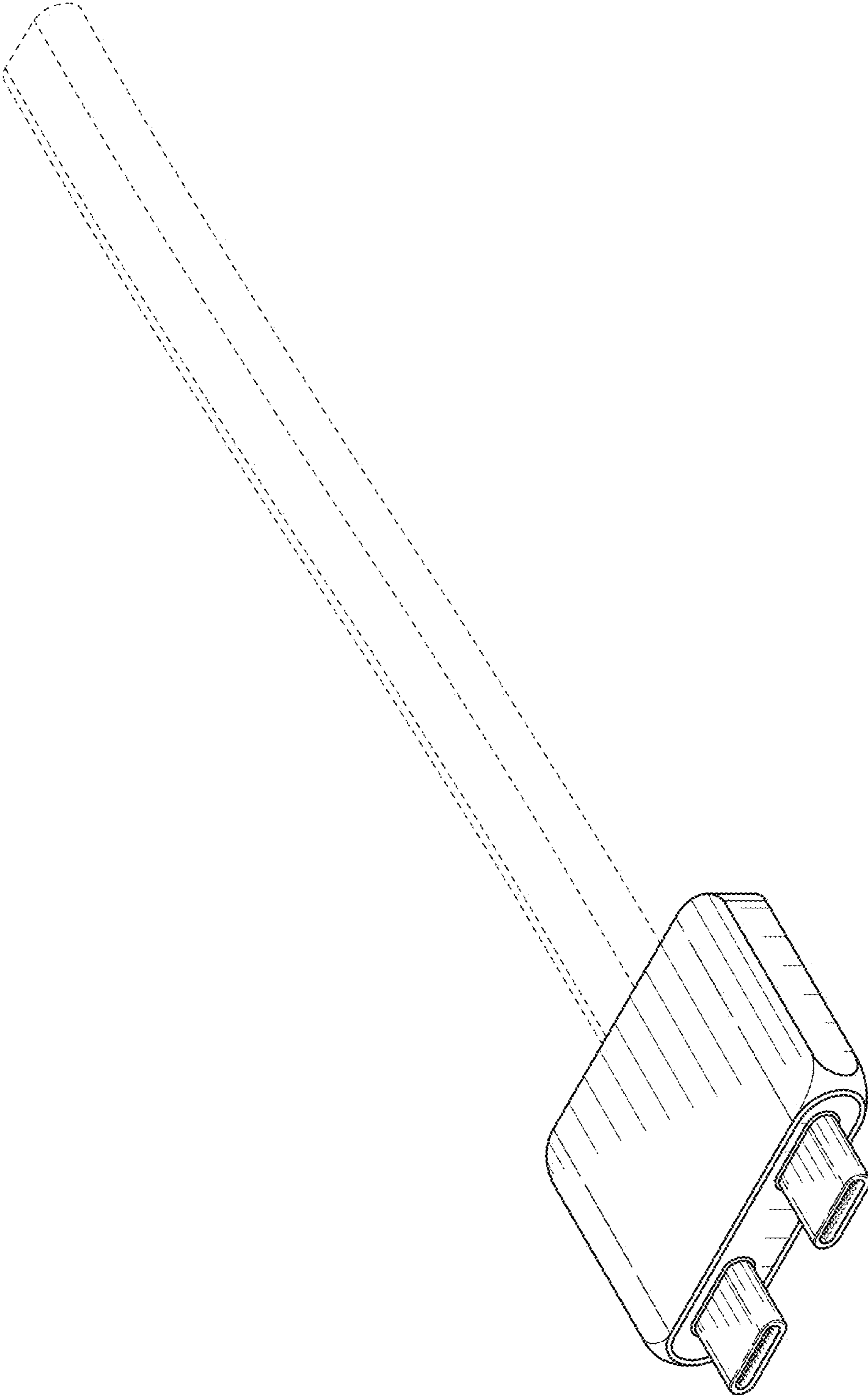


FIG. 1

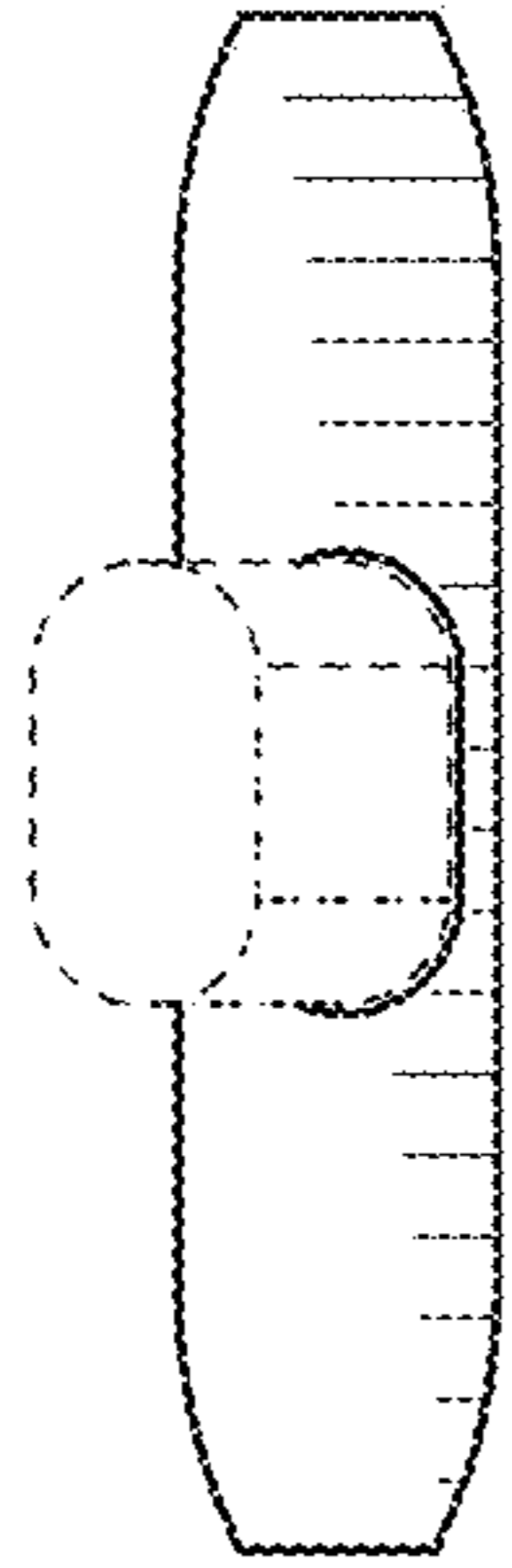


FIG. 2

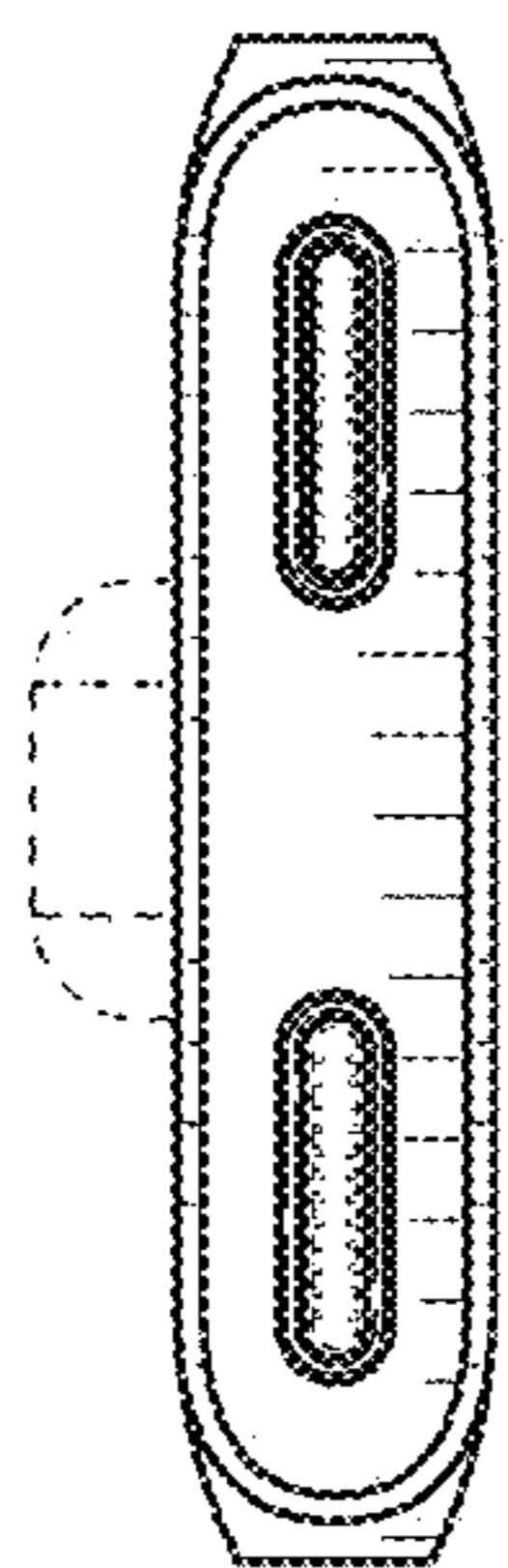


FIG. 3

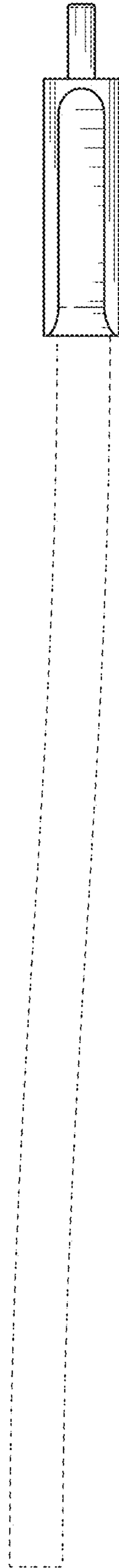


FIG. 4

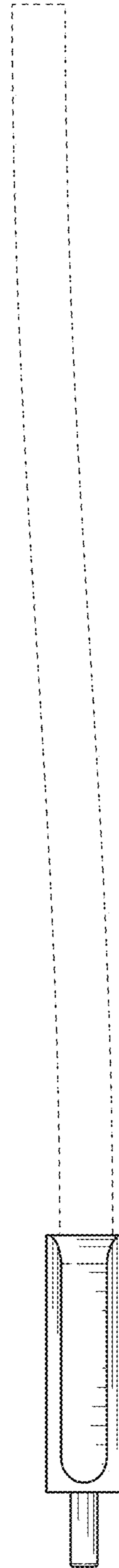
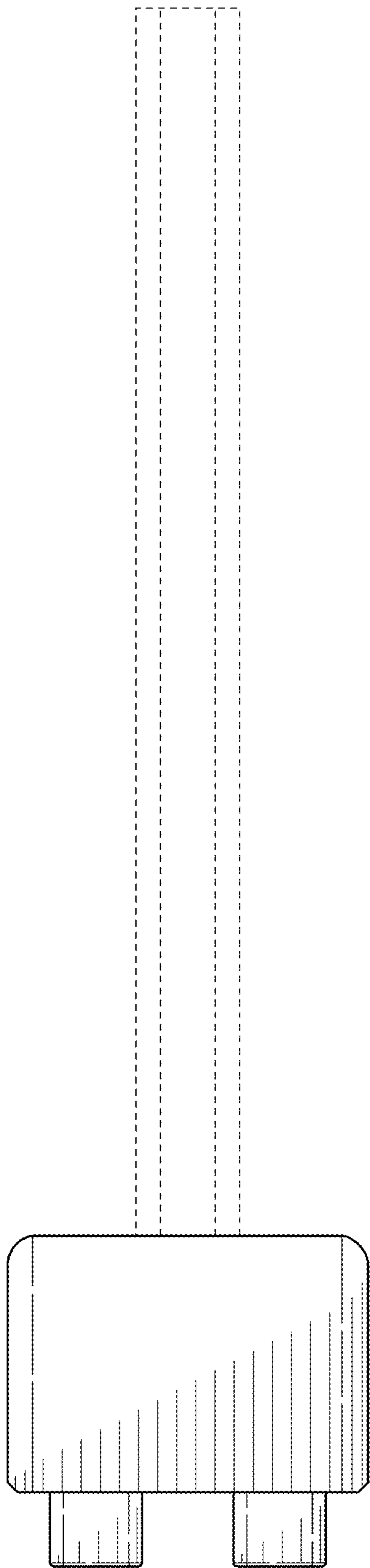
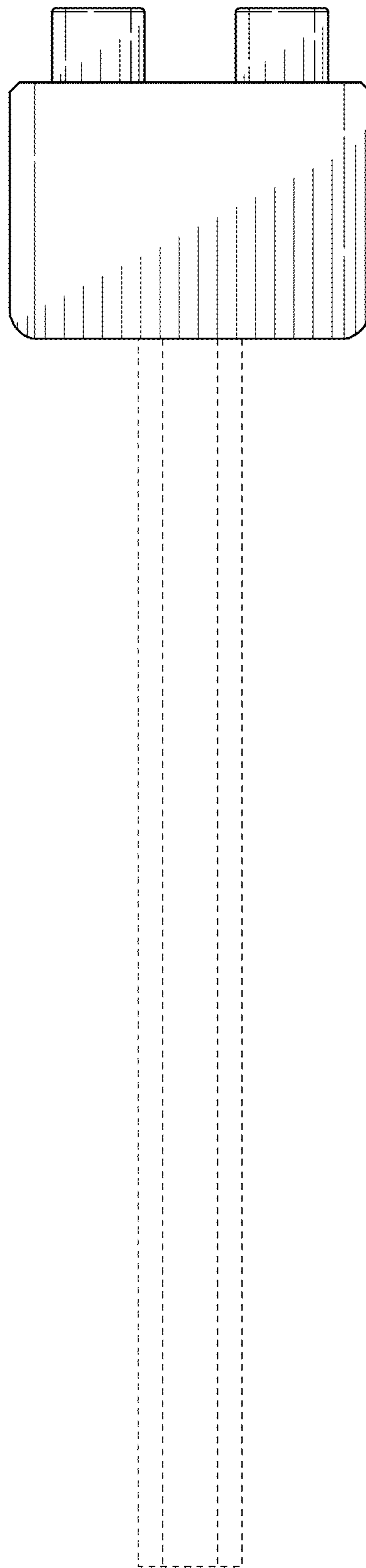


FIG. 5



**FIG. 6**



**FIG. 7**