



US00D896182S

(12) **United States Design Patent**
Corona

(10) **Patent No.:** **US D896,182 S**

(45) **Date of Patent:** **** Sep. 15, 2020**

(54) **FEMALE ELECTRICAL CONNECTOR WITH LOCKING ARM**

(71) Applicant: **DSM&T Company, Inc.**, Fontana, CA (US)

(72) Inventor: **Sergio Corona**, Upland, CA (US)

(73) Assignee: **DSM&T Company, Inc.**, Fontana, CA (US)

(**) Term: **15 Years**

(21) Appl. No.: **29/638,145**

(22) Filed: **Feb. 24, 2018**

(51) **LOC (12) Cl.** **13-03**

(52) **U.S. Cl.**
USPC **D13/146; D13/133**

(58) **Field of Classification Search**
USPC D13/133, 146, 147, 154, 184, 199
CPC H01R 13/64; H01R 13/506; H01R 13/516;
H01R 13/627; H01R 13/641; H01R 13/642; H01R 13/659; H01R 13/4534;
H01R 13/5816; G02B 6/3807; G02B 6/3816; G02B 6/3825; G02B 6/3831;
G02B 6/3869; G02B 6/3873; G02B 6/3885; G02B 6/3887; G02B 6/4428

See application file for complete search history.

(56) **References Cited**

U.S. PATENT DOCUMENTS

123,275 A	1/1872	McCurry	
D86,515 S	3/1932	Cox	
2,046,221 A	6/1936	Thomas	
D188,419 S	7/1960	Danesi	
3,008,116 A	11/1961	Blanchenot	
3,560,908 A	2/1971	Dell et al.	
4,258,970 A	3/1981	Bourdon et al.	
D265,189 S *	6/1982	Eriksson D10/114.1

4,606,596 A	8/1986	Whiting et al.
D286,397 S	10/1986	Challans
4,704,091 A	11/1987	Owens et al.
D328,281 S	7/1992	Nociar
D329,840 S	9/1992	Nociar
5,201,669 A	4/1993	Lin
D336,070 S	6/1993	Clark
D344,490 S	2/1994	Nociar
5,285,163 A	2/1994	Liotta
5,401,181 A	3/1995	Wilson
D360,187 S	7/1995	Starec et al.
D360,871 S	8/1995	Wilson
D360,872 S	8/1995	Wilson
5,460,545 A	10/1995	Siemon et al.
D366,646 S	1/1996	Carr
D367,644 S	3/1996	Fukao et al.
D371,112 S	6/1996	Anthony
5,641,310 A	6/1997	Tiberio, Jr.
D393,831 S	4/1998	Siemon et al.

(Continued)

Primary Examiner — Derrick E Holland

(74) *Attorney, Agent, or Firm* — Keusey & Associates, P.C.

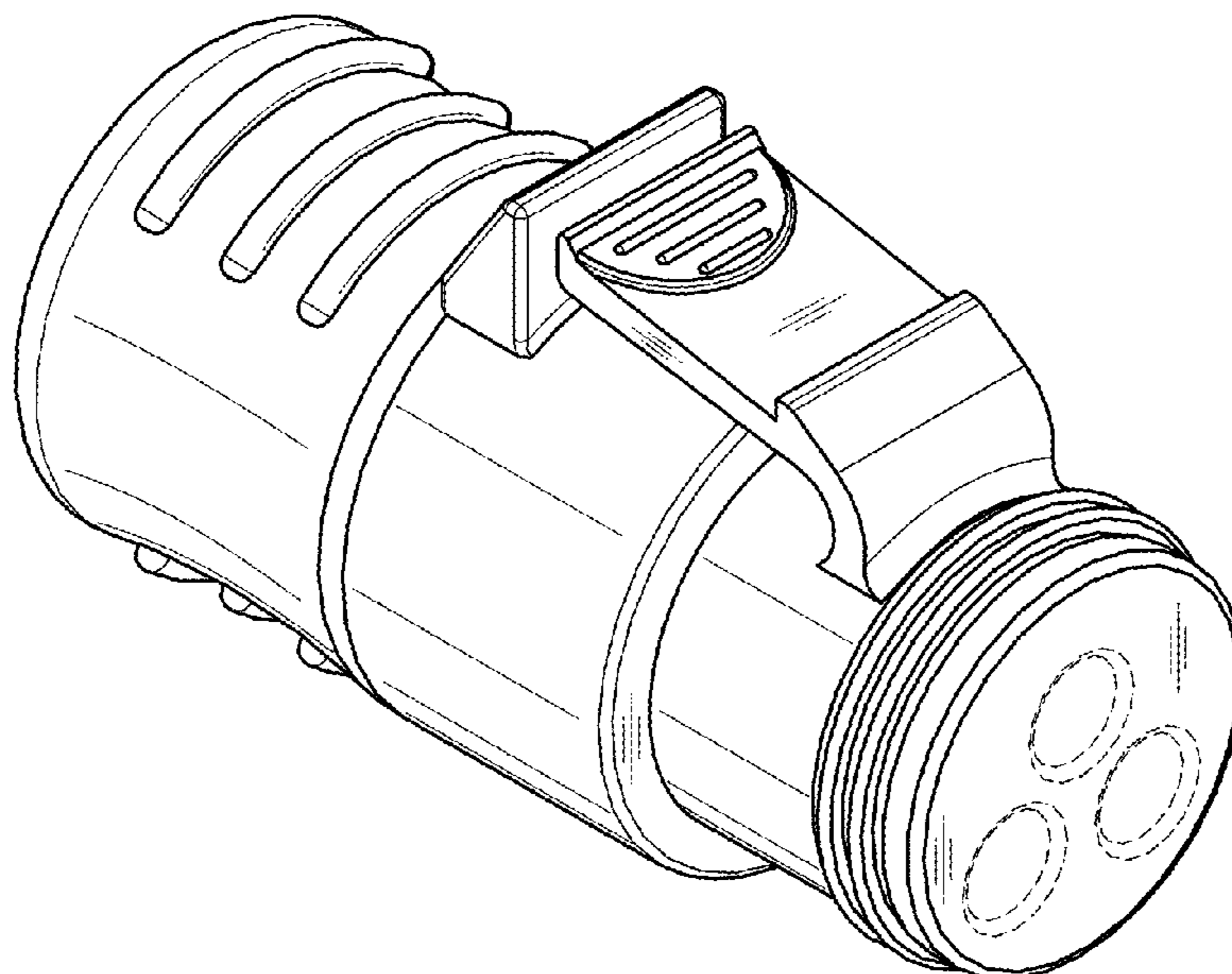
(57) **CLAIM**

The ornamental design for a female electrical connector with locking arm, as shown and described.

DESCRIPTION

FIG. 1 is a top, front, left side perspective view of my new design of a female electrical connector with locking arm. FIG. 2 is a front side elevational view thereof. FIG. 3 is a top plan view thereof. FIG. 4 is a bottom plan view thereof. FIG. 5 is a left side elevational view thereof, the right side elevational view being a mirror image thereof; and, FIG. 6 is a rear side elevational view thereof. The broken lines in FIGS. 1, 2 and 6 represent environment only, and form no part of the claimed design.

1 Claim, 3 Drawing Sheets



(56)

References Cited

U.S. PATENT DOCUMENTS

D413,100 S *	8/1999	Nakazawa	D13/146	D639,250 S	6/2011	Svelnis et al.
D416,230 S	11/1999	Narumo et al.		D639,743 S	6/2011	Smith et al.
D425,028 S	5/2000	Lee		D643,815 S	8/2011	Mark et al.
D434,377 S	11/2000	Bussett et al.		D651,171 S	12/2011	Yamauchi et al.
D437,828 S	2/2001	Corona		D651,172 S	12/2011	Yamauchi et al.
D439,221 S	3/2001	Corona		D670,650 S	11/2012	Ebihara
D444,128 S	6/2001	Tan et al.		D673,118 S	12/2012	Giefers et al.
D445,763 S	7/2001	Corona		D677,629 S	3/2013	Corona
D446,186 S	8/2001	Corona		D678,200 S	3/2013	Corona
D454,115 S	3/2002	Zemba		D678,201 S	3/2013	Corona
6,379,169 B1	4/2002	Corona		D678,202 S	3/2013	Corona
6,383,003 B1	5/2002	Corona		D678,203 S	3/2013	Corona
D472,523 S	4/2003	Hansen		D678,204 S	3/2013	Corona
D473,844 S	4/2003	Bender et al.		D679,662 S	4/2013	Svelnis et al.
D502,919 S	3/2005	Studnicky		D682,209 S	5/2013	Henrick et al.
D503,150 S	3/2005	Yamawaki et al.		D682,793 S	5/2013	Igelmund
D514,070 S	1/2006	Bachmann		D692,829 S	11/2013	Dobler
D516,028 S	2/2006	Deng		D694,189 S	11/2013	Ledinger et al.
D521,933 S	5/2006	Wade et al.		D697,030 S	1/2014	Ledinger et al.
D524,736 S	7/2006	Morita et al.		D698,730 S	2/2014	Hori et al.
D524,737 S	7/2006	Lai et al.		D703,142 S	4/2014	Hoshino et al.
D527,346 S *	8/2006	Brodin	D13/146	D704,645 S	5/2014	Nomura et al.
D529,441 S	10/2006	LaPere		D705,738 S	5/2014	Schmidt et al.
D529,865 S	10/2006	LaPere		D707,179 S	6/2014	Smith
D533,502 S	12/2006	Wakefield et al.		D708,142 S	7/2014	Luther et al.
D535,618 S	1/2007	Hu et al.		D712,840 S	9/2014	Sykes et al.
D555,594 S	11/2007	So		D715,227 S	10/2014	Leem
7,300,318 B2	11/2007	Deja		D716,233 S	10/2014	Lai
D559,785 S	1/2008	Tosetti		D716,732 S	11/2014	Neumann
D560,168 S	1/2008	McCoy		D729,169 S	5/2015	Corona
D560,610 S	1/2008	McCoy		D733,655 S	7/2015	Sato et al.
D569,955 S	5/2008	Chen		D735,671 S	8/2015	Kuhnert
D571,727 S	6/2008	Yang et al.		D737,771 S	9/2015	Hofmann
7,390,210 B2	6/2008	Corona		D743,893 S	11/2015	Kuribayashi
D573,536 S	7/2008	Hariharsan et al.		D748,058 S	1/2016	Corona
7,395,166 B2	7/2008	Plishner		D753,065 S	4/2016	Corona
D577,671 S	9/2008	Schnitzler		D753,600 S	4/2016	Svelnis
D586,750 S	2/2009	Li		D762,178 S	7/2016	Liu et al.
D596,125 S	7/2009	Norin et al.		D766,183 S	9/2016	Corona
D601,090 S	9/2009	Vigorito et al.		D766,184 S	9/2016	Corona
D604,697 S	11/2009	Sogo et al.		D768,082 S	10/2016	Chuang
D605,599 S	12/2009	Wong		D770,386 S	11/2016	Corona
D606,944 S	12/2009	Mehnert et al.		D770,981 S	11/2016	Corona
D611,904 S	3/2010	Mehnert et al.		D774,465 S	12/2016	Corona
D613,246 S	4/2010	Muecke et al.		D774,466 S	12/2016	Corona
D615,042 S	5/2010	Morgan et al.		D780,123 S	2/2017	Zetterqvist et al.
D615,496 S	5/2010	Mennekes		D781,787 S	3/2017	Spiel
7,722,397 B2	5/2010	Schleith		D787,446 S	5/2017	Cockerill
D616,821 S	6/2010	The		D793,340 S	8/2017	Wang
7,785,123 B2	8/2010	Corona		D797,052 S	9/2017	Moseke et al.
D626,506 S	11/2010	Giefers et al.		D801,933 S	11/2017	Sasaki
RE42,230 E	3/2011	Norin et al.		2002/0123275 A1	9/2002	Zhao
D637,159 S	5/2011	Hu		2003/0139094 A1	7/2003	Venditti et al.
D639,243 S	6/2011	Gharib et al.		2004/0147170 A1	7/2004	Greenwood et al.
				2011/0003512 A1	1/2011	Bower et al.

* cited by examiner

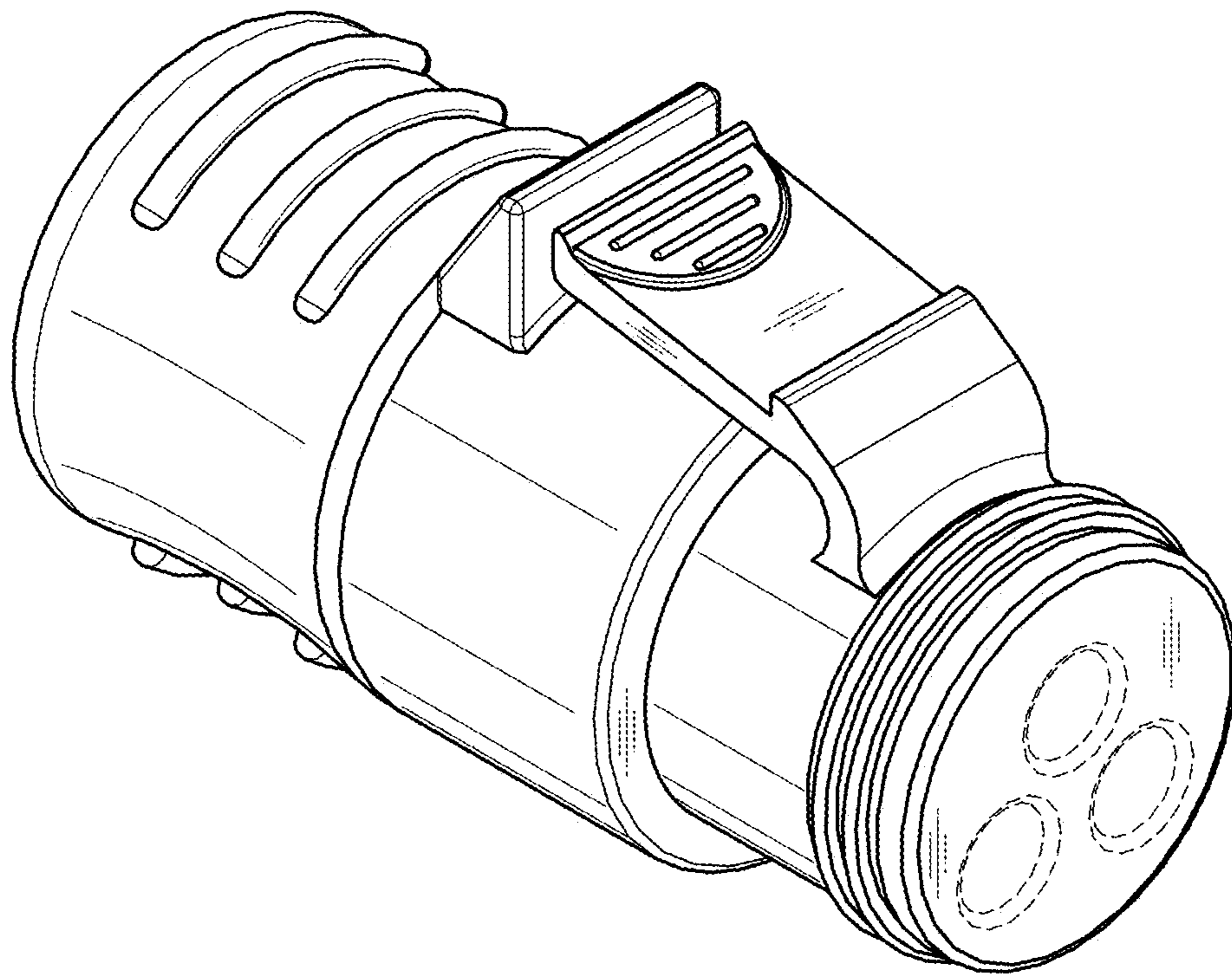


FIG. 1

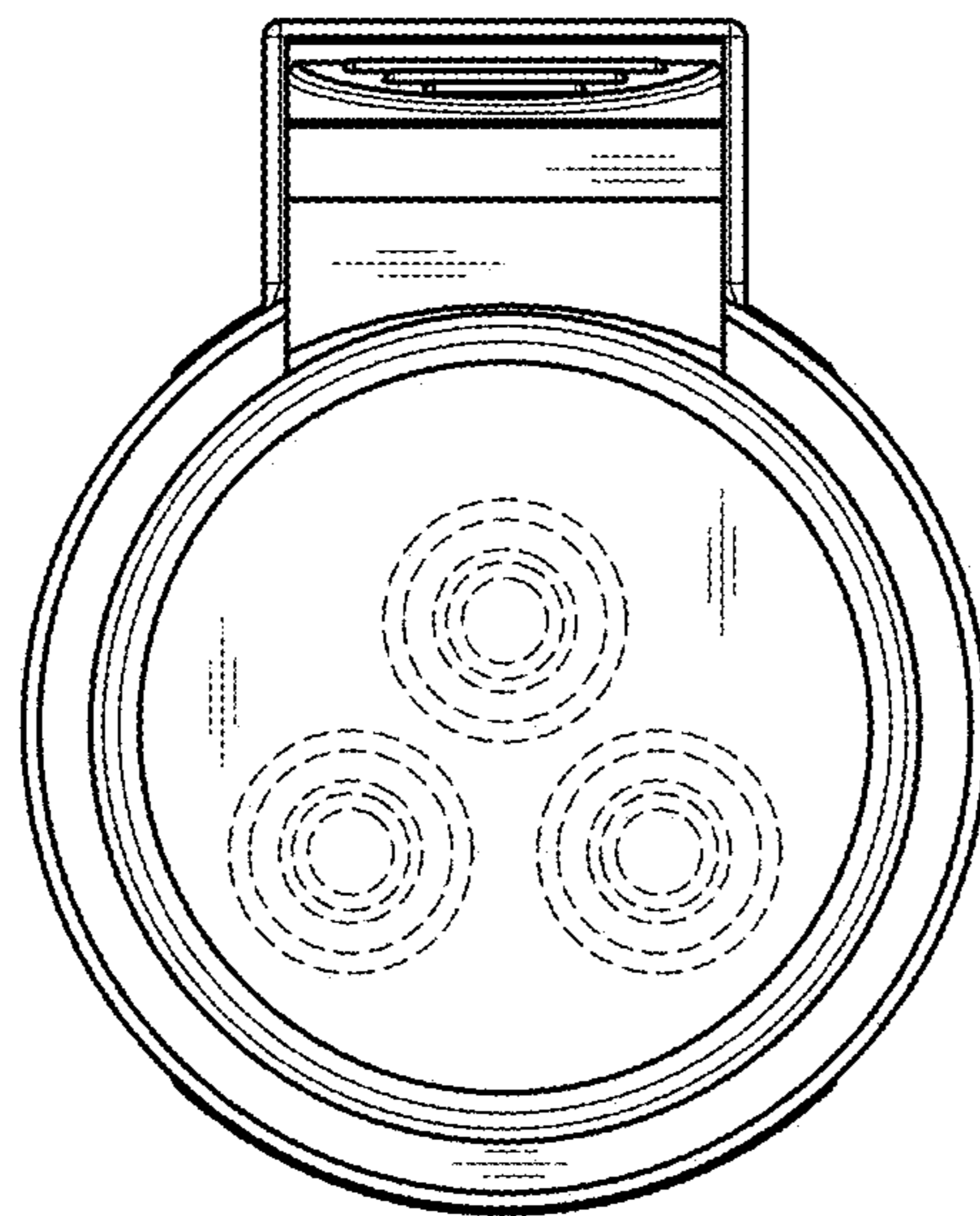


FIG. 2

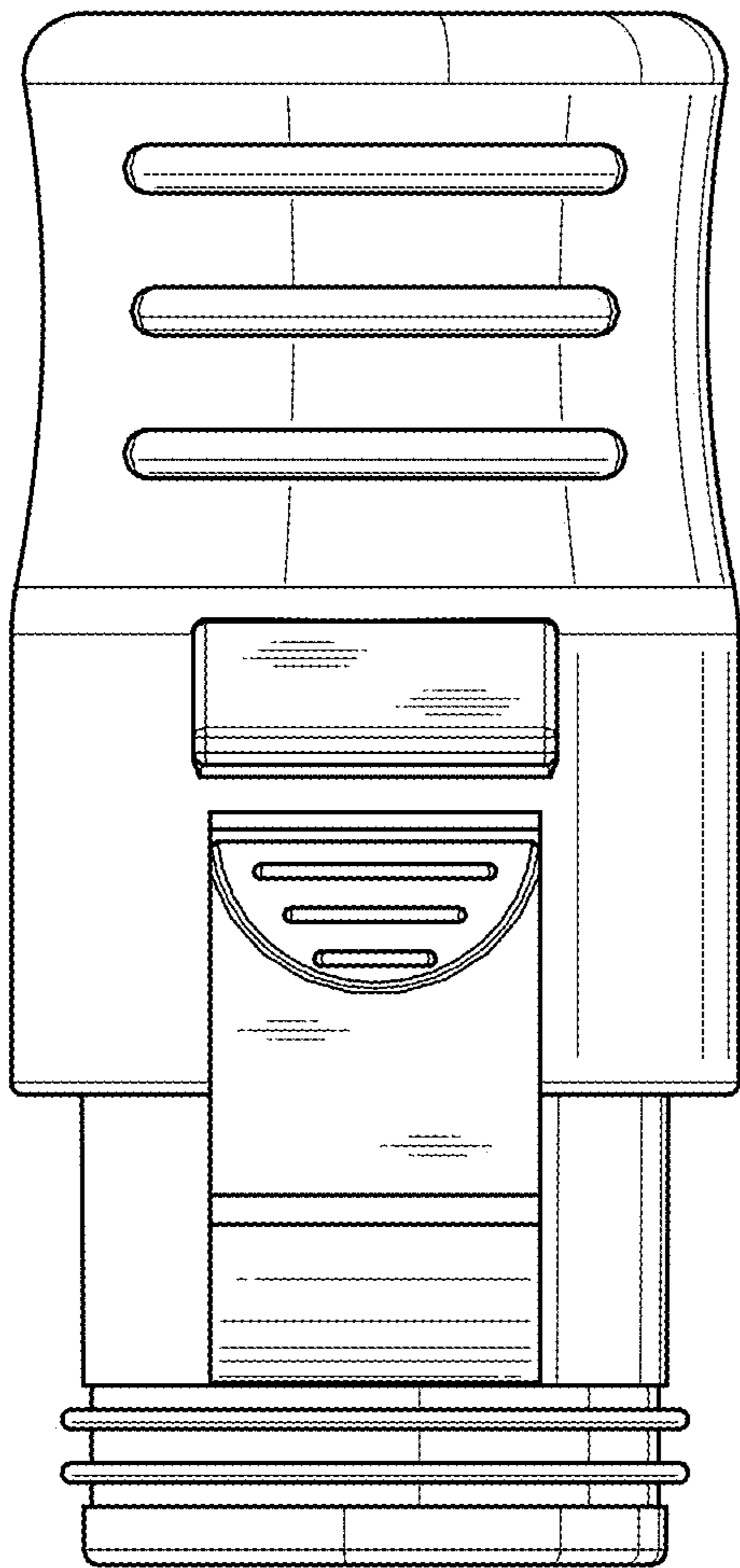


FIG. 3

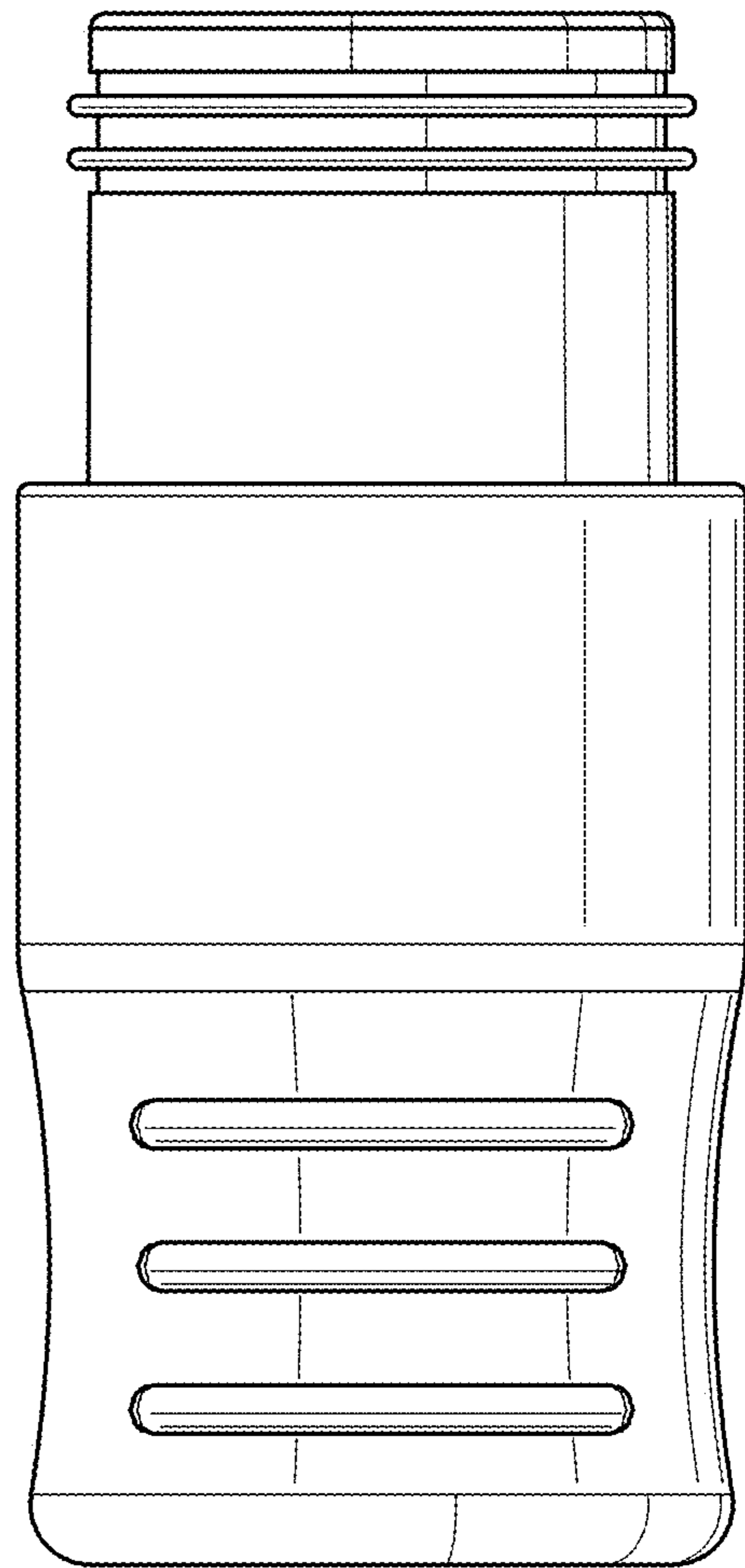


FIG. 4

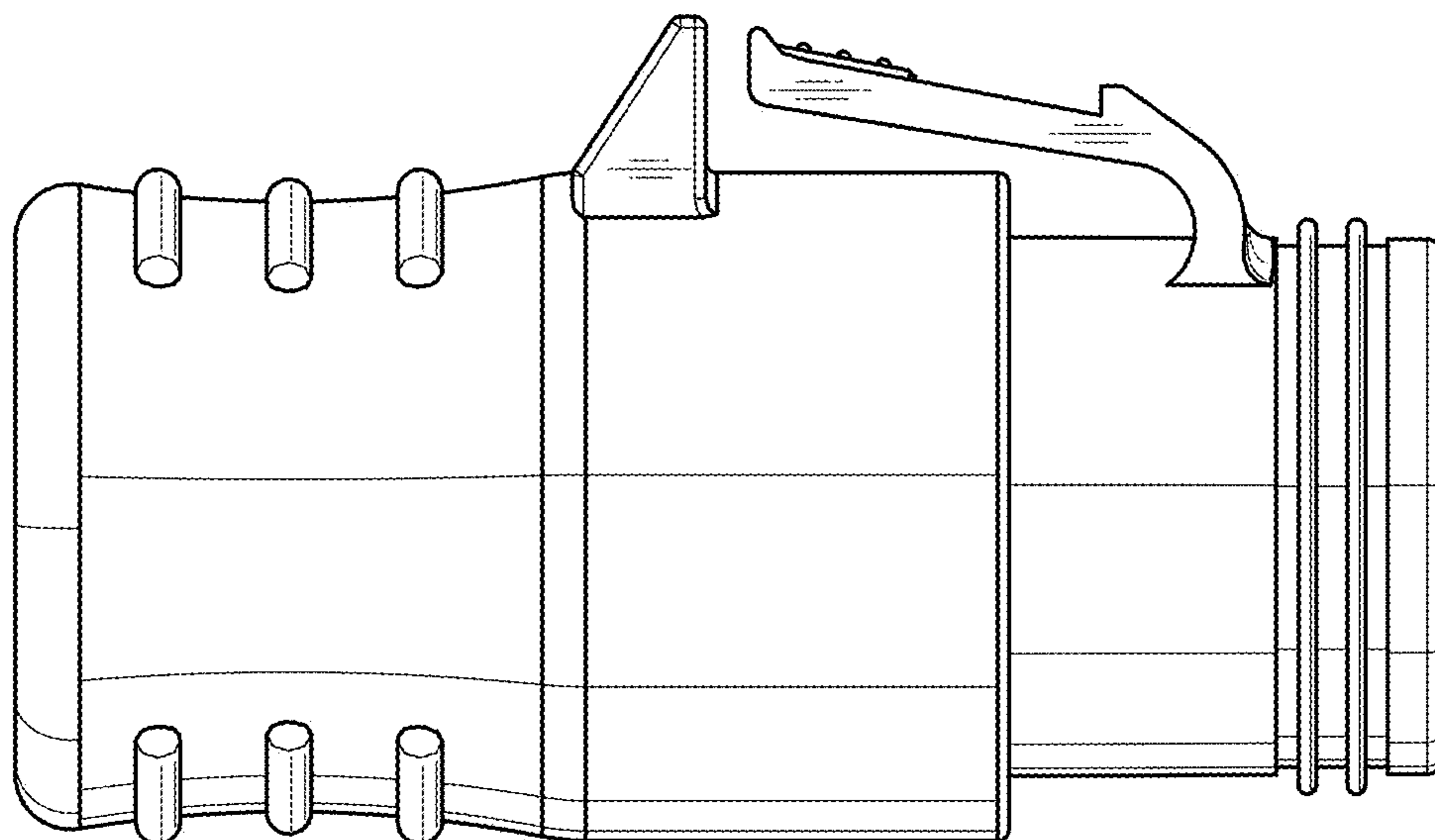


FIG. 5

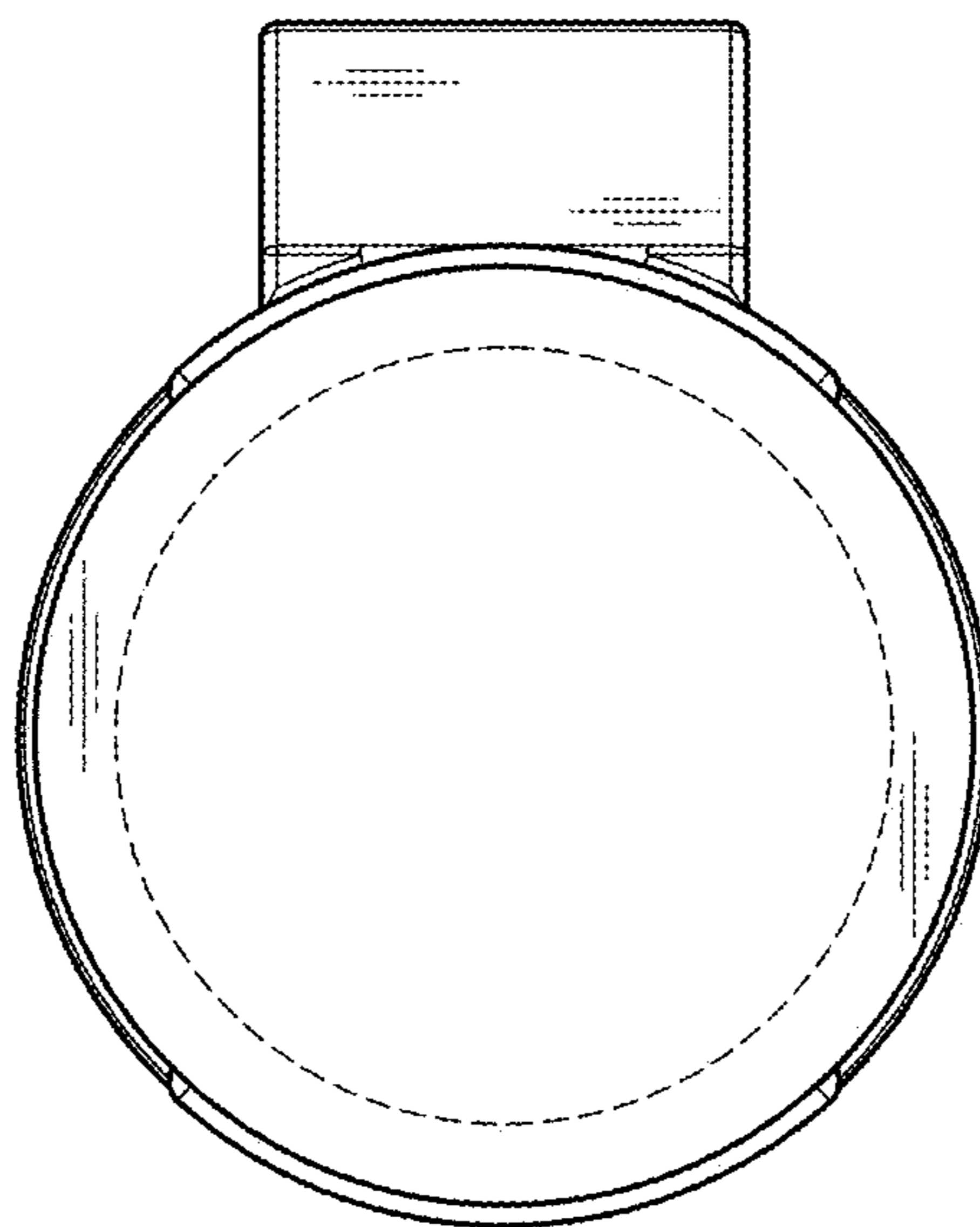


FIG. 6