



US00D896180S

(12) **United States Design Patent** (10) **Patent No.:** **US D896,180 S**  
**Lin** (45) **Date of Patent:** **\*\* Sep. 15, 2020**

(54) **CONNECTOR**  
(71) Applicant: **ASUSTeK COMPUTER INC.**, Taipei (TW)

D621,788 S \* 8/2010 Kondo ..... D13/147  
D626,078 S \* 10/2010 Kondo ..... D13/147  
D635,927 S \* 4/2011 Nagata ..... D13/147  
D635,928 S \* 4/2011 Nagata ..... D13/147  
(Continued)

(72) Inventor: **Po-Han Lin**, Taipei (TW)  
(73) Assignee: **ASUSTEK COMPUTER INC.**, Taipei (TW)

**FOREIGN PATENT DOCUMENTS**

TW D139814 S1 4/2011  
TW D140969 S1 6/2011  
(Continued)

(\*\*) Term: **15 Years**

**OTHER PUBLICATIONS**

(21) Appl. No.: **29/655,399**

USB 3.0 A to Micro B Female Adapter, dated Dec. 4, 2014, [online], [site visited Mar. 11, 2020]. Available from Internet, URL: <https://www.showmecables.com/usb-3-0-a-to-micro-b-female-adapter> (Year: 2014).\*

(22) Filed: **Jul. 3, 2018**

(51) **LOC (12) Cl.** ..... **13-03**  
(52) **U.S. Cl.**  
USPC ..... **D13/133**

(Continued)

(58) **Field of Classification Search**  
USPC ..... D13/107, 110, 118, 123, 133, 146, 147, D13/154, 156, 173, 184, 199  
CPC ..... H01R 12/59; H01R 13/00; H01R 13/53; H01R 13/62; H01R 13/627; H01R 13/64; H01R 13/648; H01R 13/658; H01R 13/659; H01R 24/00; H01R 25/00; H05K 7/10; H05K 9/00

*Primary Examiner* — Angela J Lee  
*Assistant Examiner* — Shawn T Gingrich  
(74) *Attorney, Agent, or Firm* — McClure, Qualey & Rodack, LLP

See application file for complete search history.

(57) **CLAIM**

The ornamental design for a connector, as shown and described.

(56) **References Cited**

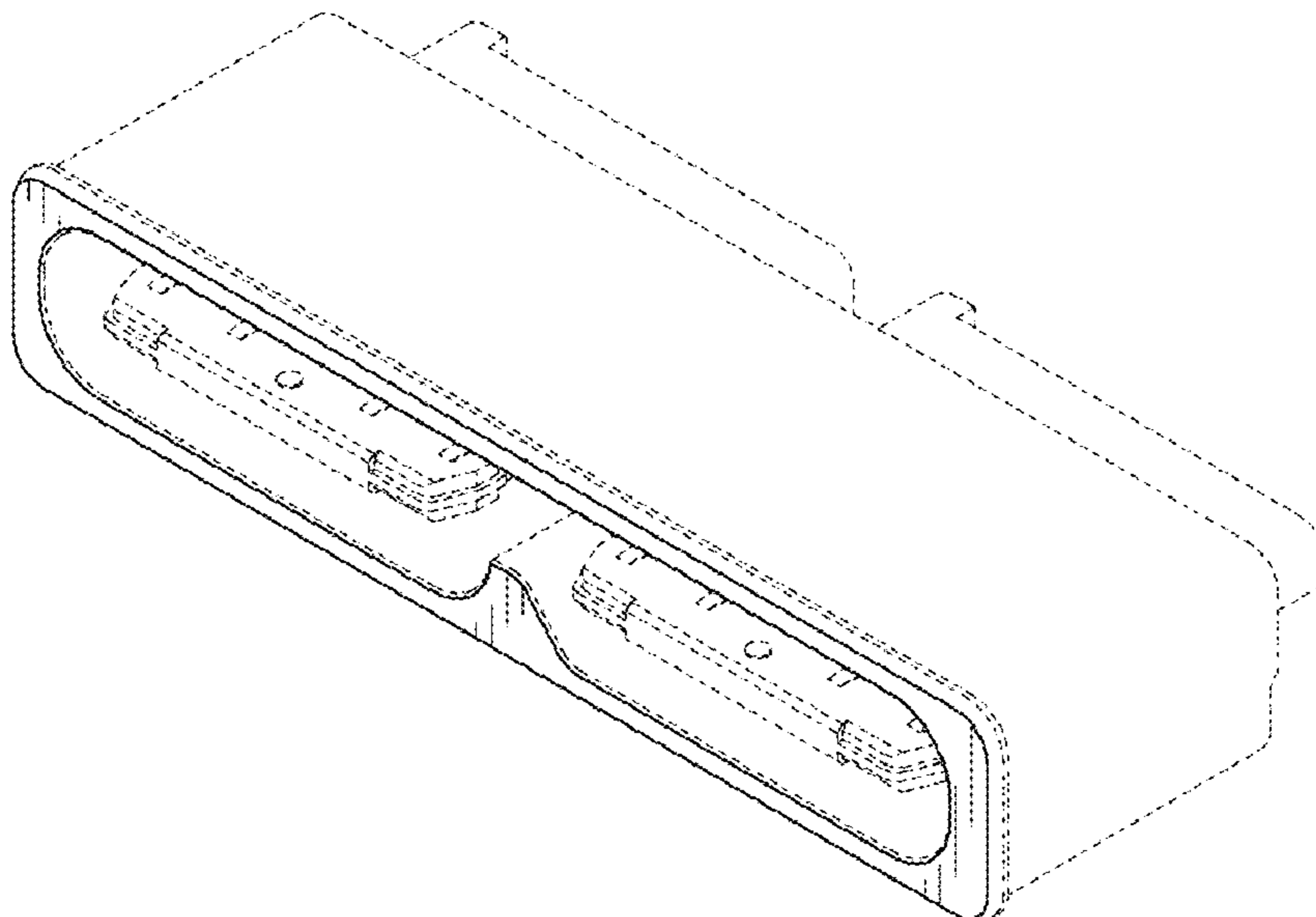
**DESCRIPTION**

**U.S. PATENT DOCUMENTS**

3,824,524 A \* 7/1974 Glover ..... H01R 13/53 439/282  
D422,558 S \* 4/2000 Reiss ..... D13/133  
D434,377 S \* 11/2000 Bussett ..... D13/133  
D523,815 S \* 6/2006 Lai ..... D13/133  
D563,887 S \* 3/2008 Dever ..... D13/147  
D563,890 S \* 3/2008 Dever ..... D13/147  
D566,656 S \* 4/2008 Dever ..... D13/147  
D618,622 S \* 6/2010 Chiang ..... D13/147  
D621,365 S \* 8/2010 Kondo ..... D13/147  
D621,787 S \* 8/2010 Kondo ..... D13/147

FIG. 1 is a top, front, right side perspective view of a connector showing our new design;  
FIG. 2 is a front elevational view thereof;  
FIG. 3 is a rear elevational view thereof;  
FIG. 4 is a left side elevational view thereof;  
FIG. 5 is a right side elevational view thereof;  
FIG. 6 is a top plan view thereof; and,  
FIG. 7 is a bottom plan view thereof.  
The broken lines in the drawings illustrate portions of the connector that form no part of the claimed design.

**1 Claim, 4 Drawing Sheets**



(56)

**References Cited**

U.S. PATENT DOCUMENTS

D642,985 S \* 8/2011 Luo ..... D13/147  
 D650,757 S \* 12/2011 Su ..... D13/147  
 8,491,332 B1 \* 7/2013 Mo ..... H01R 13/64  
 439/568  
 2010/0062653 A1 \* 3/2010 Mao ..... H01R 12/712  
 439/660  
 2011/0097931 A1 \* 4/2011 Kondo ..... H01R 13/6461  
 439/607.01  
 2011/0237107 A1 \* 9/2011 Nagata ..... H01R 12/724  
 439/345  
 2013/0323975 A1 \* 12/2013 Yu ..... H01R 13/659  
 439/620.21  
 2015/0064956 A1 \* 3/2015 Kim ..... H01R 27/00  
 439/345  
 2016/0190741 A1 \* 6/2016 Bulmer ..... H01R 12/771  
 439/329  
 2019/0013633 A1 \* 1/2019 Chen ..... H01R 33/94

FOREIGN PATENT DOCUMENTS

TW D142639 S1 9/2011  
 TW D143368 S1 10/2011

TW D144146 S1 12/2011  
 TW D147907 S1 7/2012  
 TW D151160 S1 1/2013

OTHER PUBLICATIONS

Twitter @markjaquith, dated Oct. 2, 2012, [online], [site visited Mar. 11, 2020]. Available from Internet, URL: <https://twitter.com/markjaquith/status/253302420430524417> (Year: 2012).\*

Futureshop.co.uk AudioQuest Carbon USB 3.0 Type A to Type Micro B Data Cable , dated Mar. 26, 2016, [online], [site visited Mar. 11, 2020]. Available from Internet, URL:<https://www.futureshop.co.uk/audioquest-carbon-usb-30-type-a-to-micro-b-cable#reviews> (Year: 2016).\*

Amazon.com USB 3.0 Micro B Cable, dated Aug. 17, 2016, [online], [site visited Mar. 11, 2020]. Available from Internet, URL:<https://www.amazon.com/Besgoods-Braided-Charger-Compatible-Samsung/dp/B071WPHR1G/> (Year: 2016).\*

\* cited by examiner

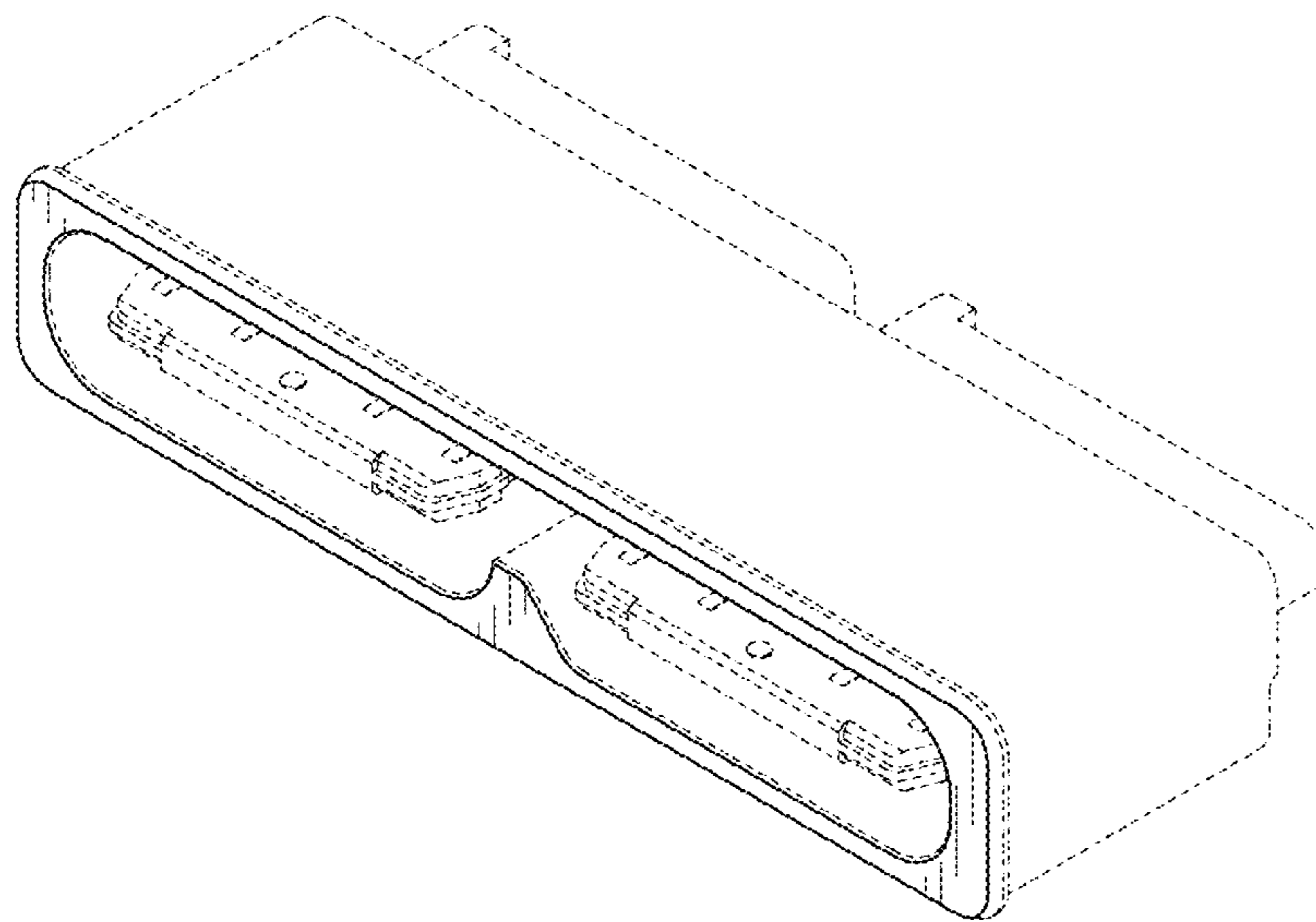


FIG.1

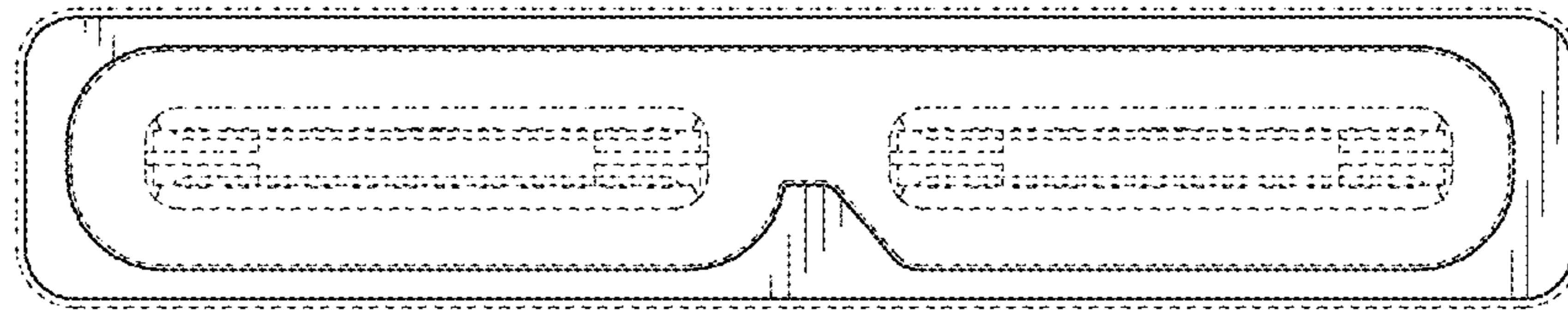


FIG. 2

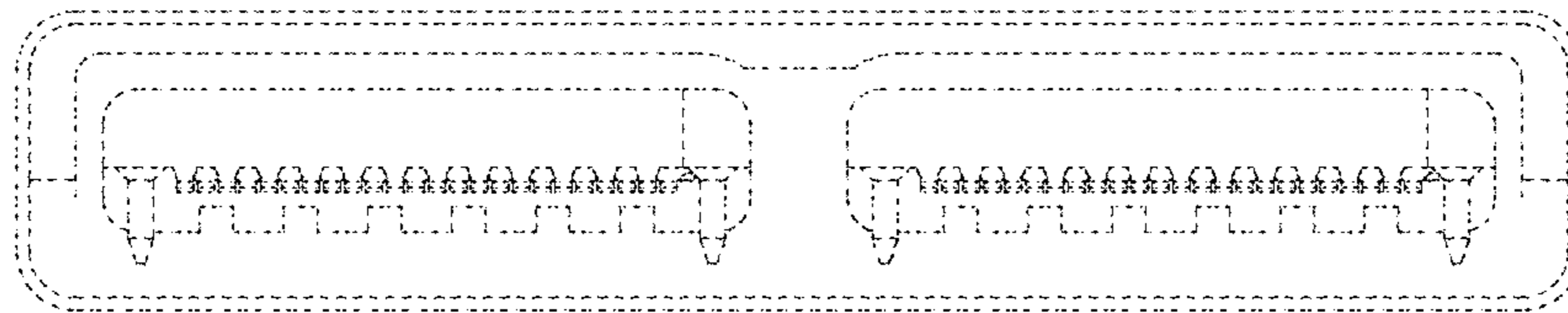


FIG. 3

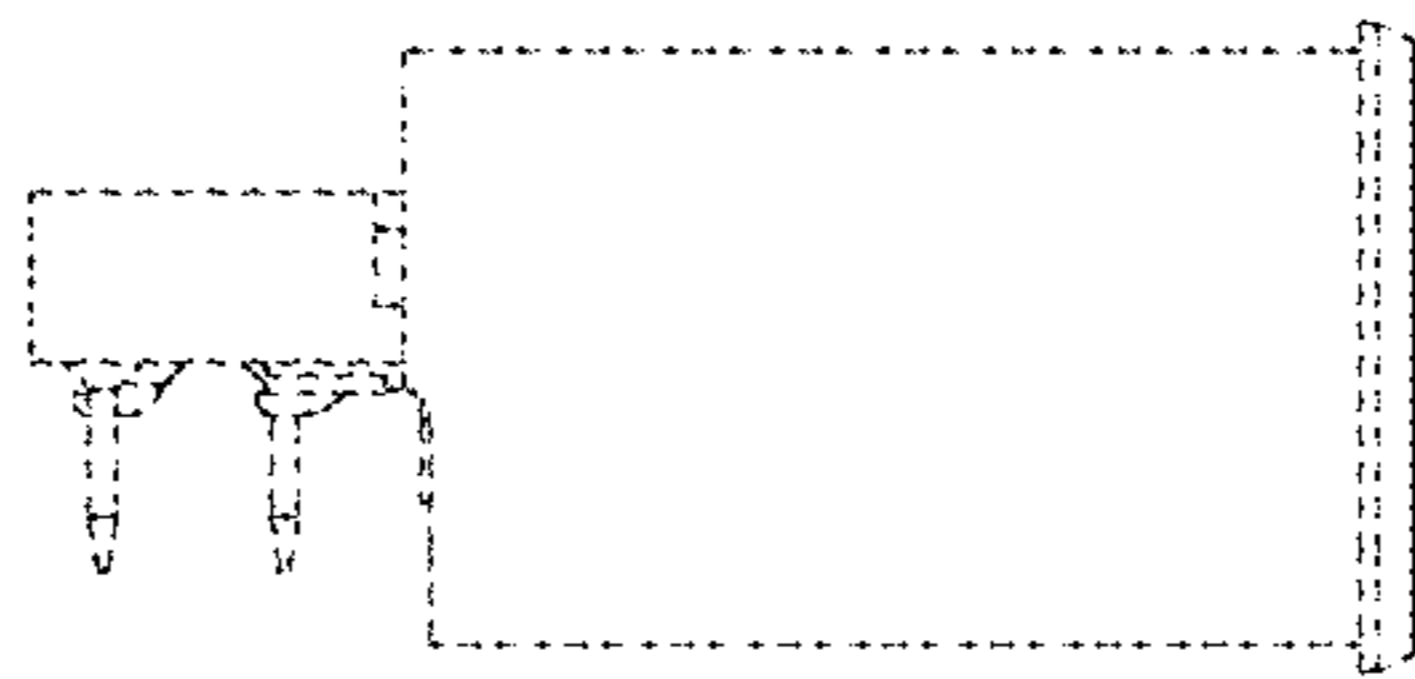


FIG.4

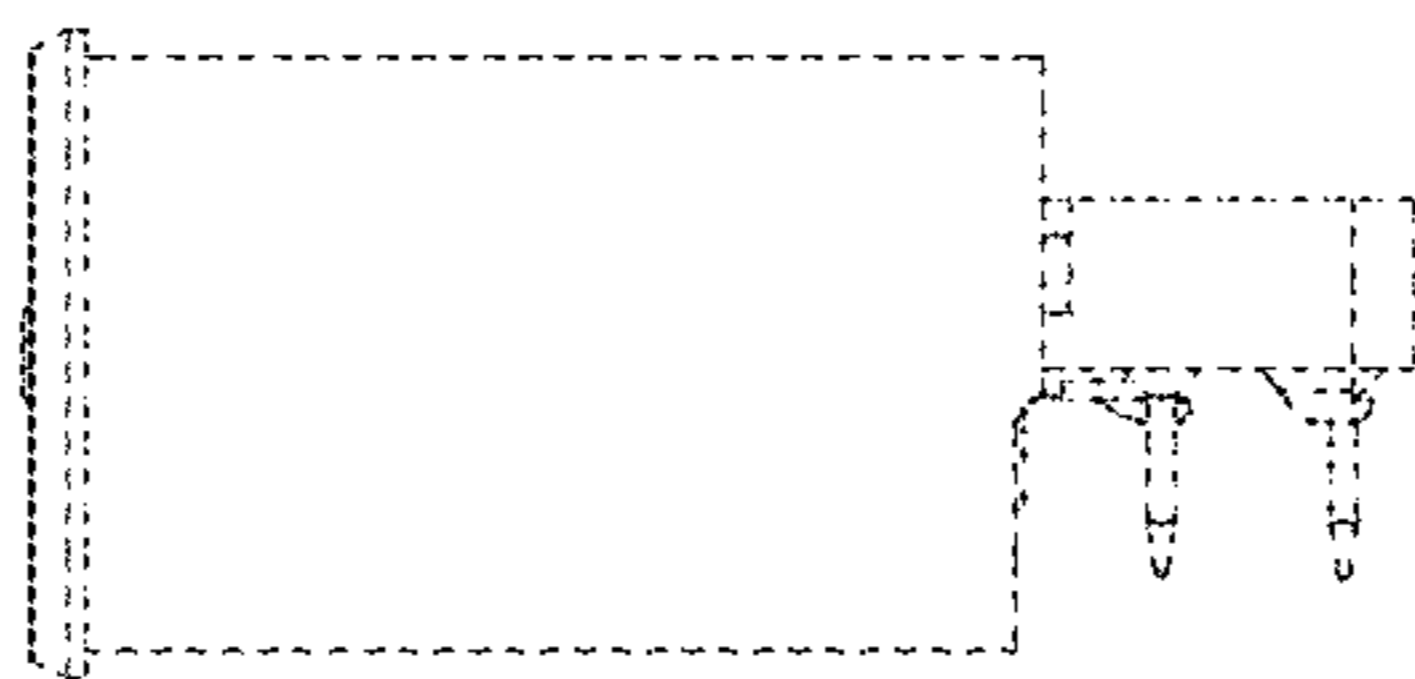


FIG.5

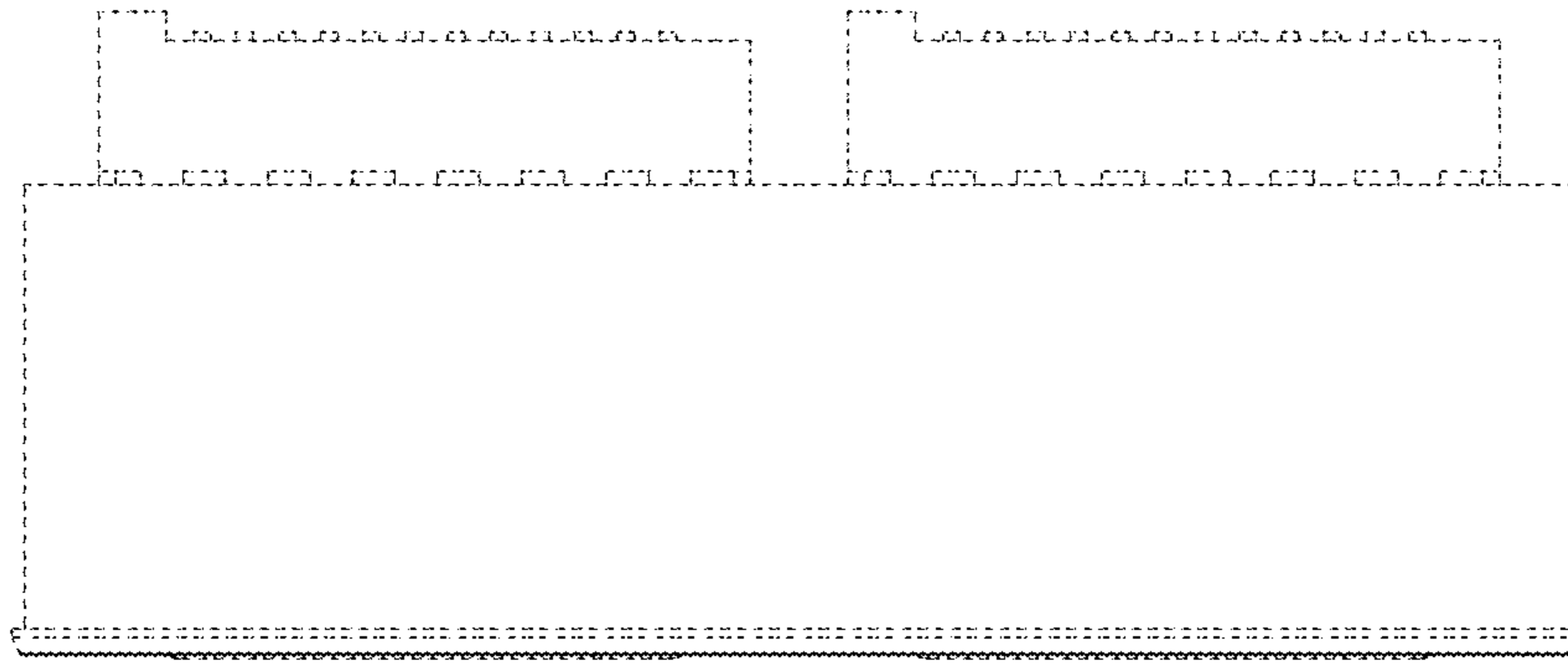


FIG. 6

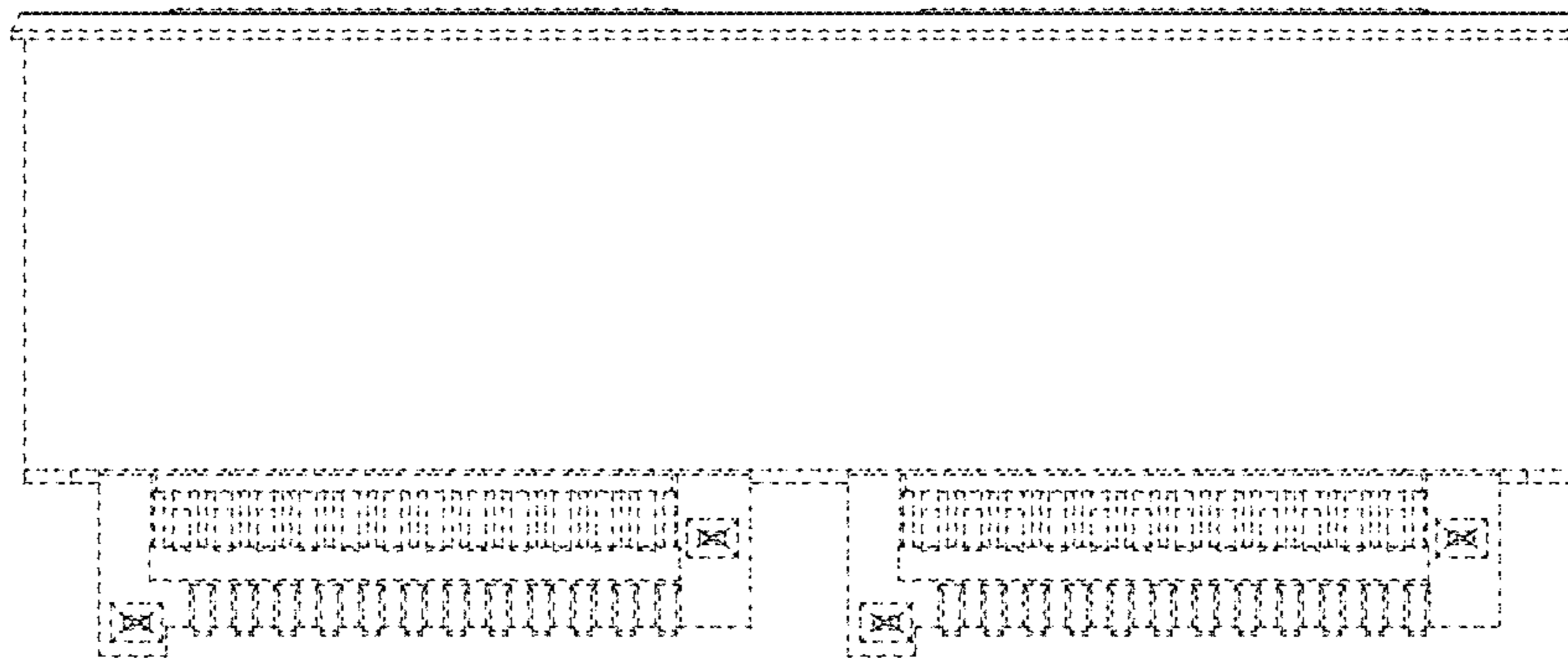


FIG. 7