



US00D896178S

(12) **United States Design Patent** (10) **Patent No.:** **US D896,178 S**  
**Tsao et al.** (45) **Date of Patent:** **\*\* Sep. 15, 2020**

(54) **BASE OF MAGNETIC COMPONENT**

(56) **References Cited**

(71) Applicant: **DELTA ELECTRONICS, INC.**,  
Taoyuan (TW)

U.S. PATENT DOCUMENTS

(72) Inventors: **Yue Tsao**, Taoyuan (TW); **Chun-Ching Yen**, Taoyuan (TW); **Kun-Te Chen**, Taoyuan (TW); **Mingqiang Zhu**, Taoyuan (TW); **Jian Xu**, Taoyuan (TW); **Hsien-Chun Peng**, Taoyuan (TW); **Zhi-Liang Zhang**, Taoyuan (TW)

D411,509 S \* 6/1999 Schlegel ..... D13/118  
D435,953 S \* 1/2001 Lux, Jr. .... D13/118  
6,186,468 B1 \* 2/2001 Schlegel ..... F16M 5/00  
248/346.01  
D750,031 S \* 2/2016 Lord ..... D13/147  
D830,972 S \* 10/2018 Numajiri ..... D13/117

(73) Assignee: **DELTA ELECTRONICS, INC.**,  
Taoyuan (TW)

\* cited by examiner

(\*\*) Term: **15 Years**

*Primary Examiner* — Derrick E Holland

(74) *Attorney, Agent, or Firm* — Kirton McConkie; Evan R. Witt

(21) Appl. No.: **29/635,738**

(57) **CLAIM**

The ornamental design for a base of magnetic component, as shown and described.

(22) Filed: **Feb. 2, 2018**

**DESCRIPTION**

(51) **LOC (12) Cl.** ..... **13-02**

(52) **U.S. Cl.**  
USPC ..... **D13/118**

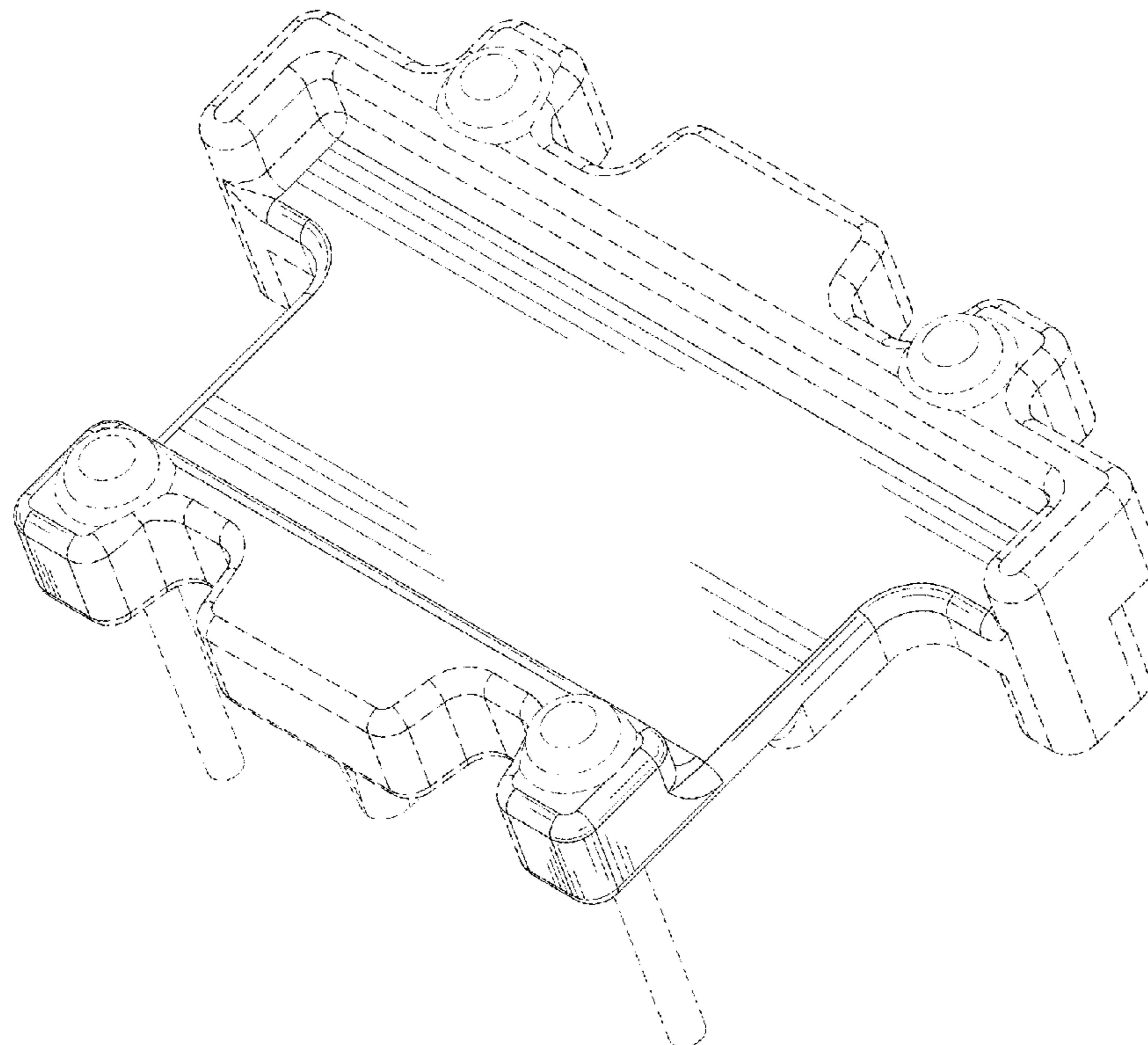
(58) **Field of Classification Search**  
USPC ..... D13/183, 101, 118, 119, 120, 121, 133,  
D13/147, 154, 165, 179, 180, 182, 199;  
200/11 B, 11 D, 12; 204/155, 157.22;  
307/401, 406, 415, 416  
CPC ..... H05K 7/00; H05K 9/0007; H05K 9/0075;  
H01F 5/02

FIG. 1 is a perspective view of a base of magnetic component showing our new design;  
FIG. 2 is another perspective view thereof;  
FIG. 3 is a front elevational view thereof;  
FIG. 4 is a rear elevational view thereof;  
FIG. 5 is a left side elevational view thereof;  
FIG. 6 is a right side elevational view thereof;  
FIG. 7 is a top plan view thereof; and,  
FIG. 8 is a bottom plan view thereof.

The broken lines represent the portions of the base of magnetic component that forms no part of the claimed design.

See application file for complete search history.

**1 Claim, 8 Drawing Sheets**



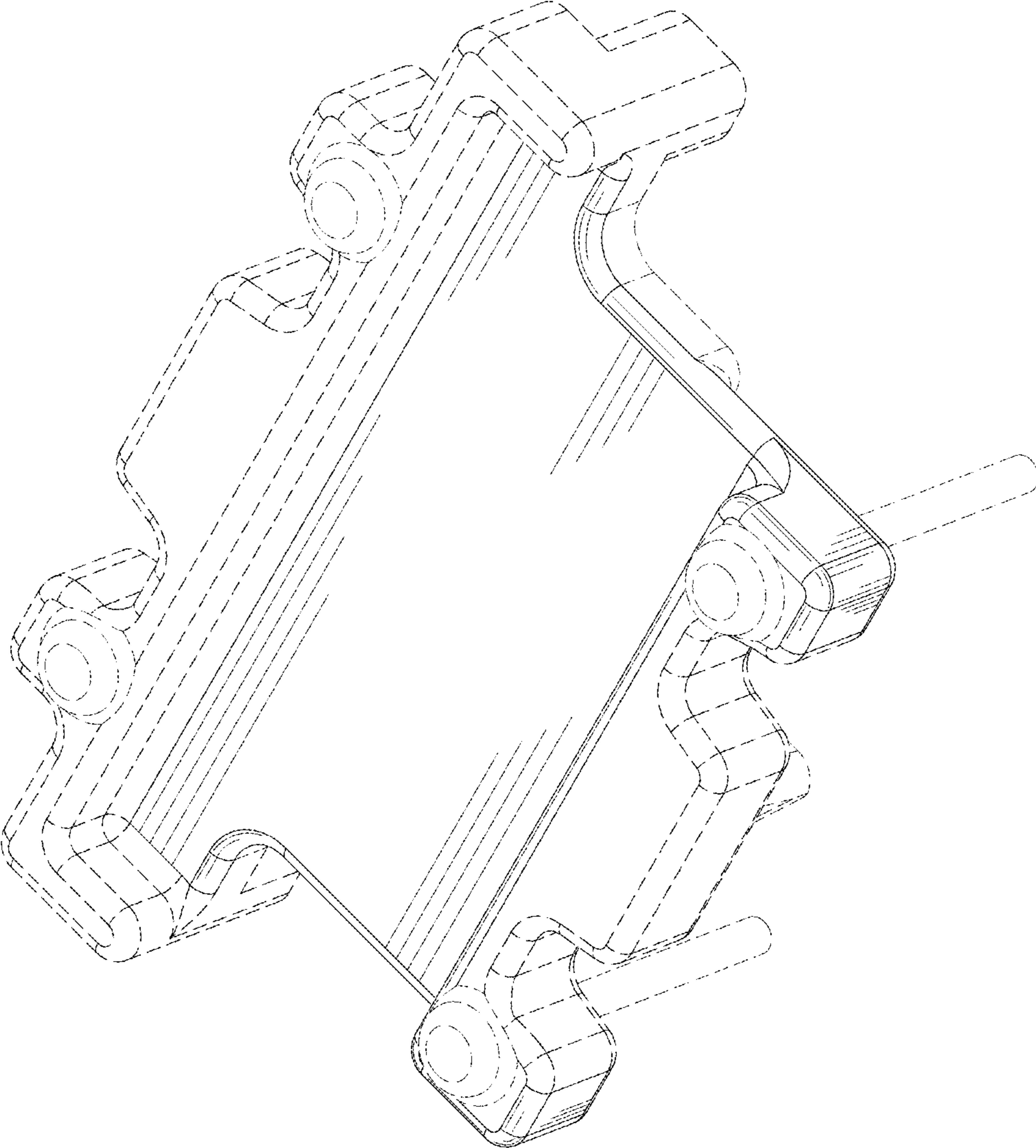


FIG. 1

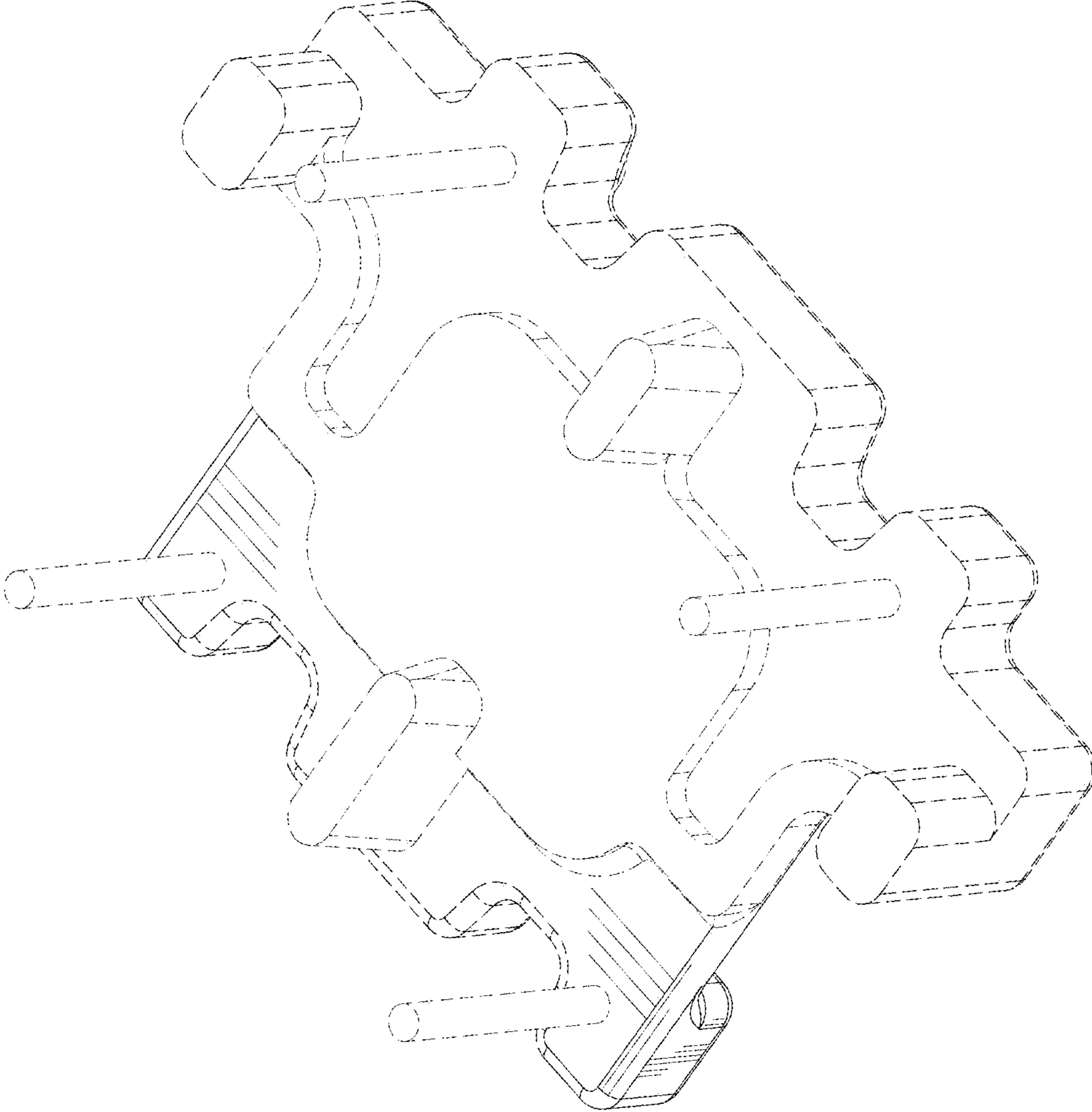


FIG. 2

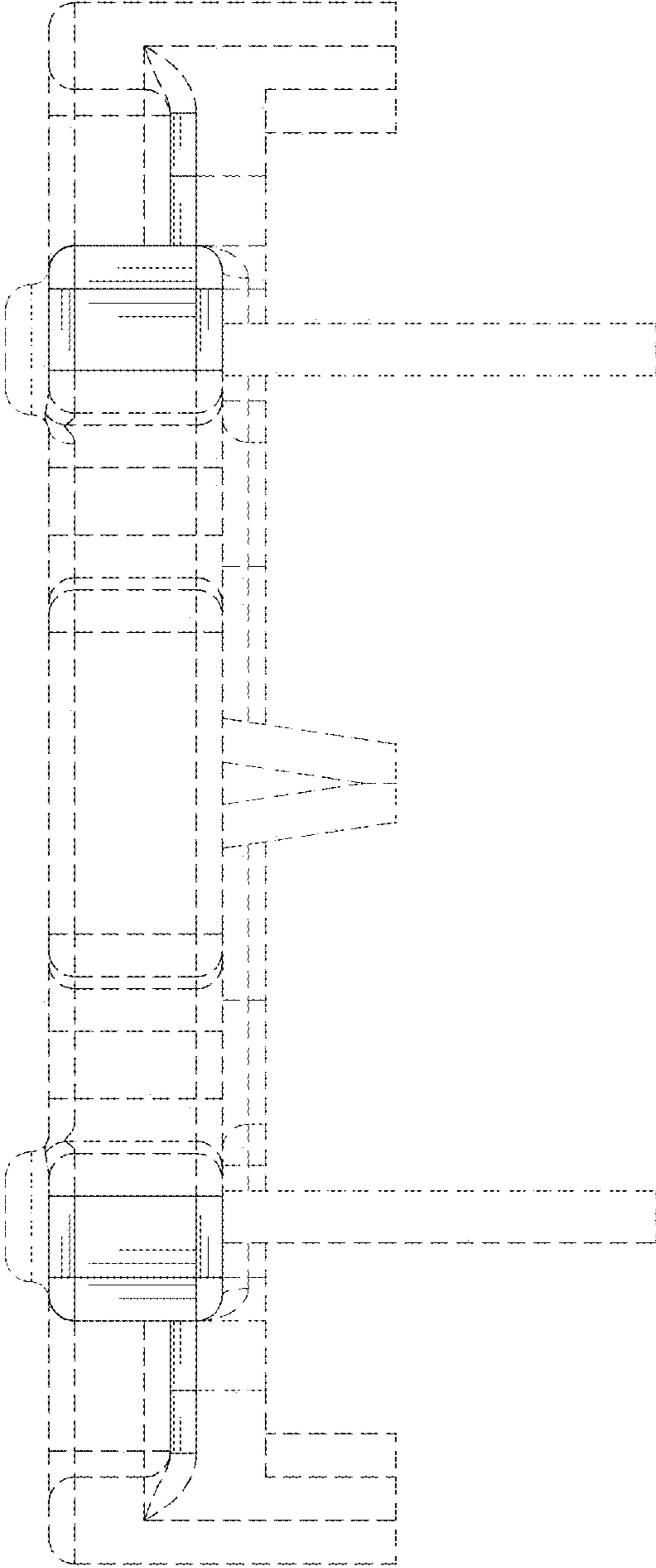


FIG. 3

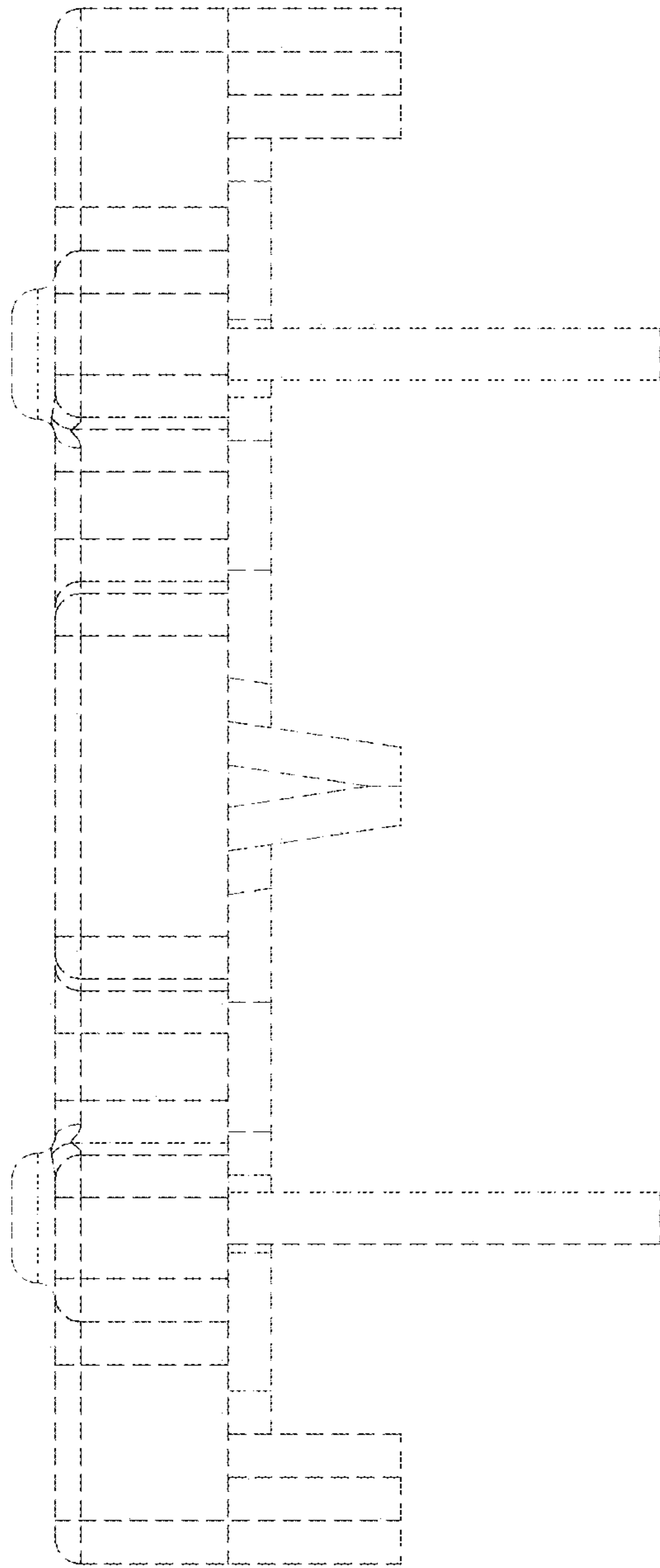


FIG. 4

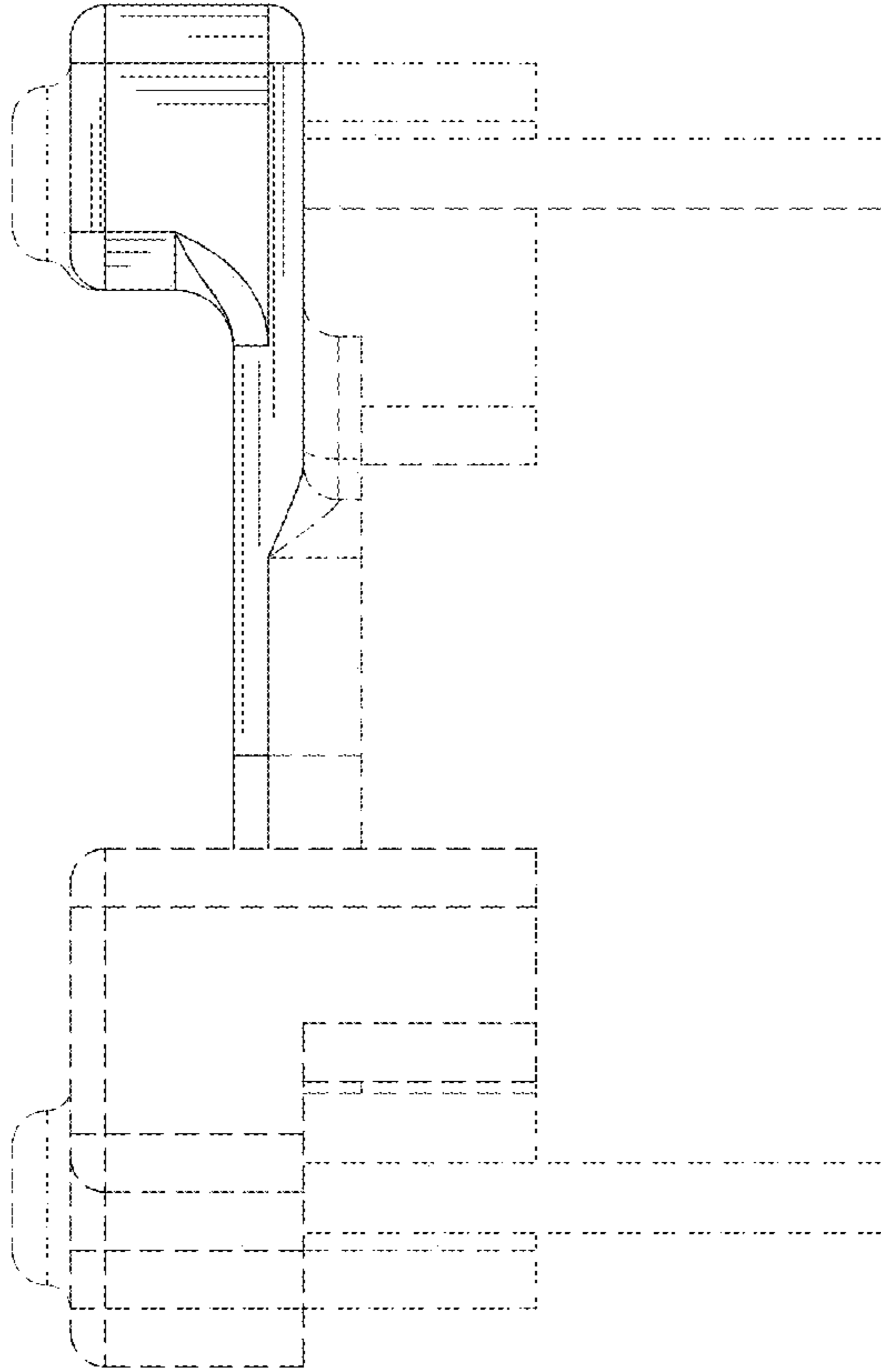


FIG. 5

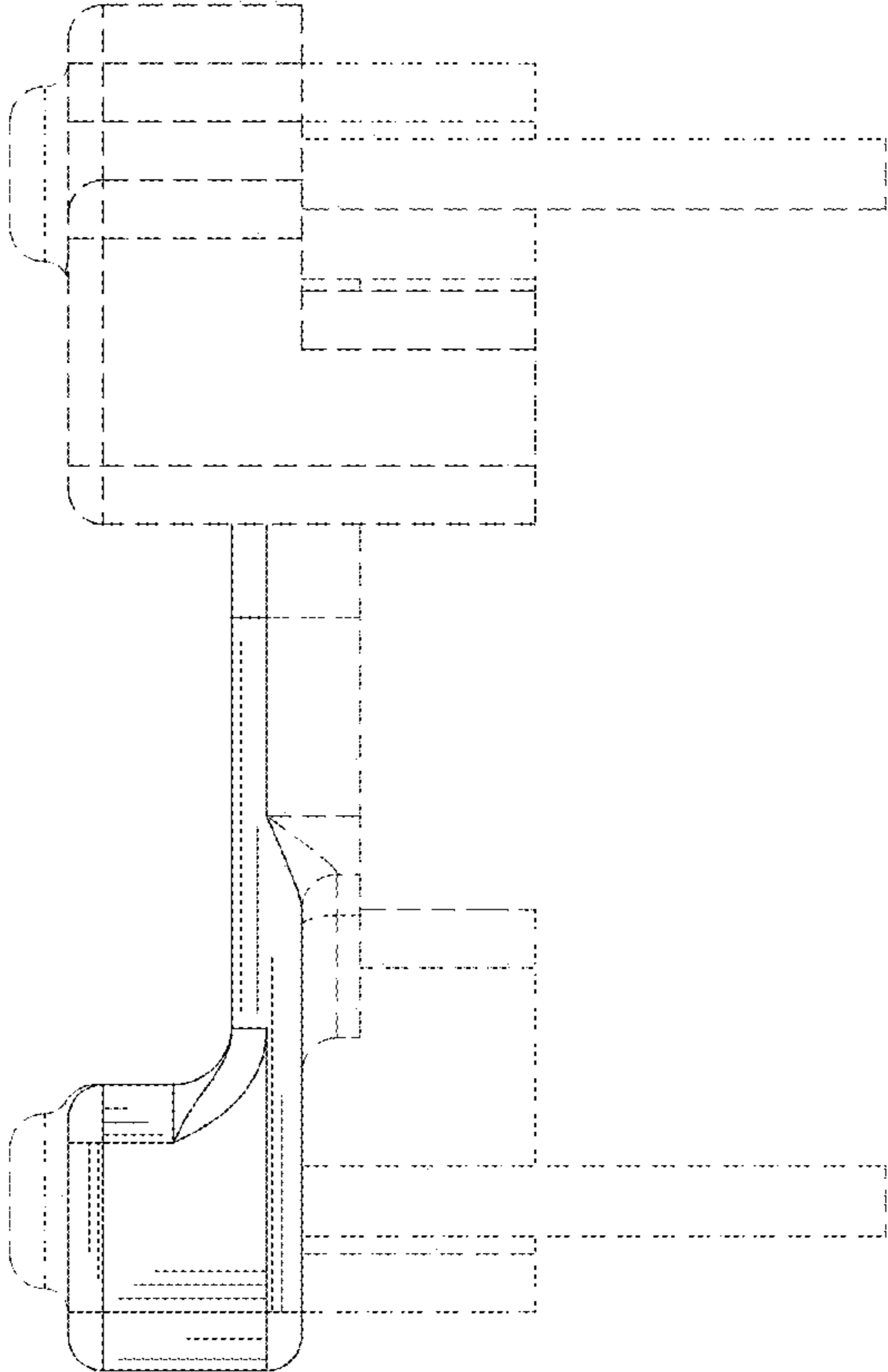


FIG. 6

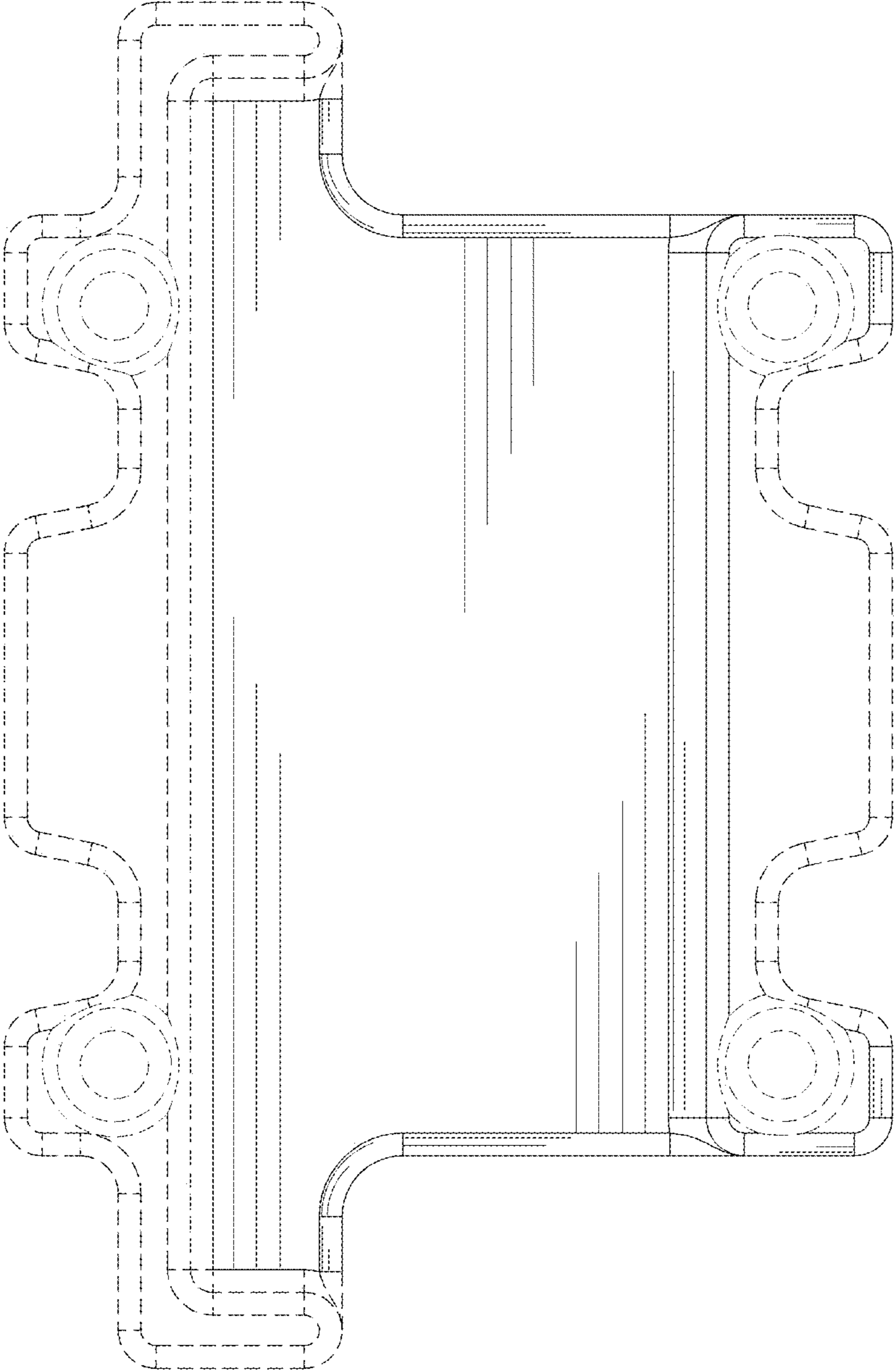


FIG. 7



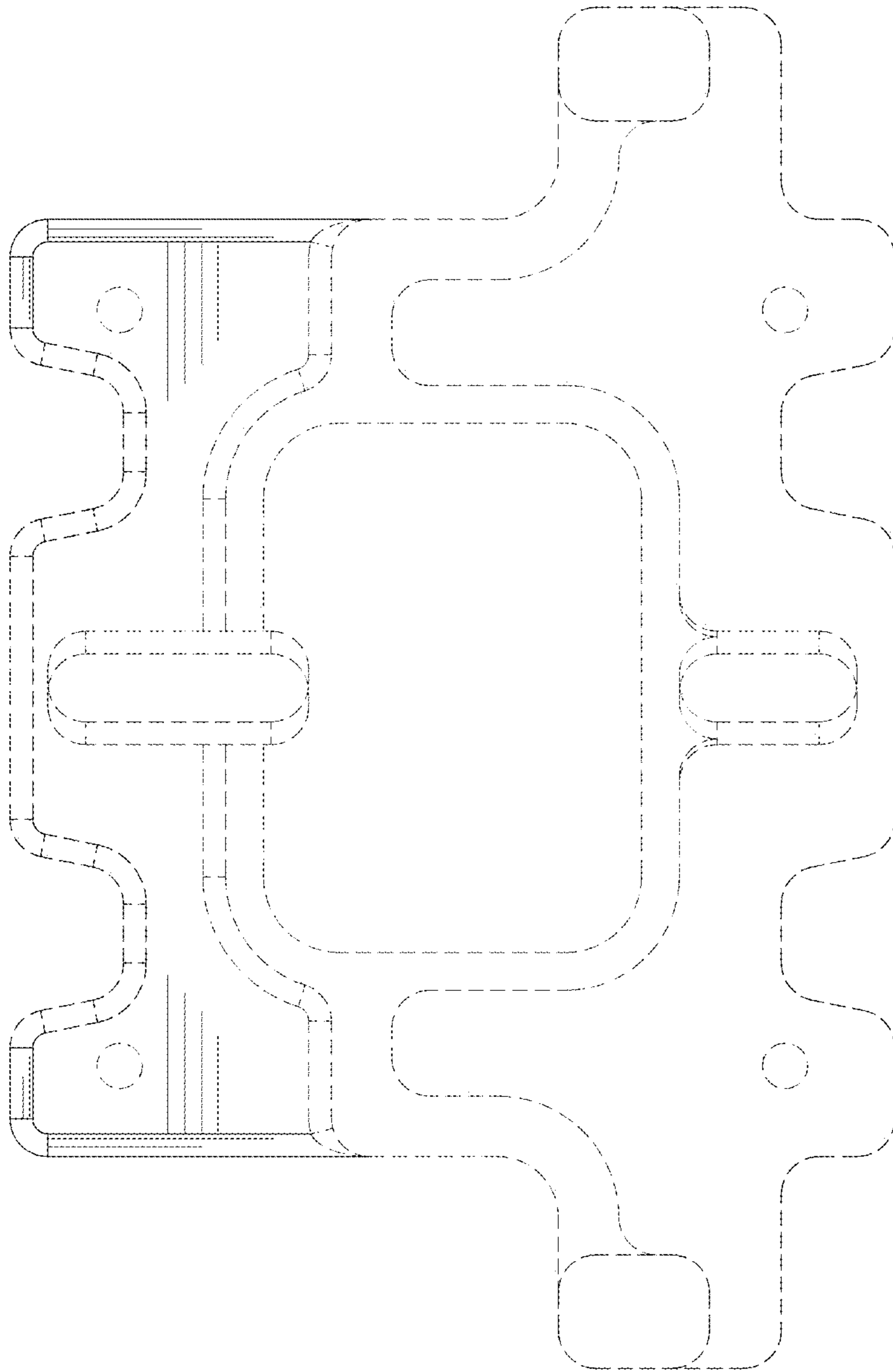


FIG. 8