



US00D896177S

(12) **United States Design Patent** (10) **Patent No.:** **US D896,177 S**
Zheng (45) **Date of Patent:** **** Sep. 15, 2020**

(54) **WIRELESS CHARGING MOUNT**
(71) Applicant: **Wensheng Zheng**, Hunan (CN)
(72) Inventor: **Wensheng Zheng**, Hunan (CN)
(**) Term: **15 Years**
(21) Appl. No.: **29/707,564**

D832,248 S * 10/2018 Sukphist D14/253
D837,131 S * 1/2019 Robillard
D839,869 S * 2/2019 Wang
D840,930 S * 2/2019 Lu
D853,377 S * 7/2019 Crandon et al.
D858,509 S * 9/2019 Yao D14/253
D859,393 S * 9/2019 Dang D14/253
D861,670 S * 10/2019 Li D14/253
D862,454 S * 10/2019 Chun D14/253

(Continued)

(22) Filed: **Sep. 29, 2019**
(51) **LOC (12) Cl.** **13-02**
(52) **U.S. Cl.**
USPC **D13/108**
(58) **Field of Classification Search**
USPC D13/107-108, 110, 118, 184; D14/251,
D14/253, 432, 434
CPC .. H02J 50/00; H02J 50/10; H02J 50/12; H02J
50/50; H02J 50/80; H02J 7/025; H02J
5/00; H02J 5/005
See application file for complete search history.

OTHER PUBLICATIONS

Amazon.com: ZeeHoo Wireless Car Charger,10W Qi Fast Charging Auto-Clamping Car Mount,Windshield Dash Air Vent Phone Holder. Date first available: Jan. 17, 2019. Retrieved from the internet on Jan. 17, 2020 at <<https://www.amazon.com/Wireless-Charging-Auto-Clamping-Windshield-Compatible/dp/B07RRNBG5N?th=1>>. (Year: 2019).*

(Continued)

Primary Examiner — Rosemary K Tarcza

(56) **References Cited**

U.S. PATENT DOCUMENTS

D456,024 S * 4/2002 Richter D14/434
D517,557 S * 3/2006 Brassard D14/434
D606,065 S * 12/2009 Rihu D14/253
D654,119 S * 2/2012 Lin D14/434
D654,120 S * 2/2012 Lin D14/434
D685,379 S * 7/2013 Richter D14/253
D685,380 S * 7/2013 Richter D14/253
D685,804 S * 7/2013 Richter D14/253
8,520,838 B1 8/2013 Madden
D693,296 S * 11/2013 Lin D13/108
D730,888 S * 6/2015 Malsan
D750,612 S * 3/2016 Chen D14/253
D771,616 S * 11/2016 Bo
D772,218 S * 11/2016 Alesi D14/253
D779,478 S * 2/2017 Justiss
D784,923 S * 4/2017 Song D13/108
D813,241 S * 3/2018 Wengreen
D828,865 S * 9/2018 Zeng D16/242

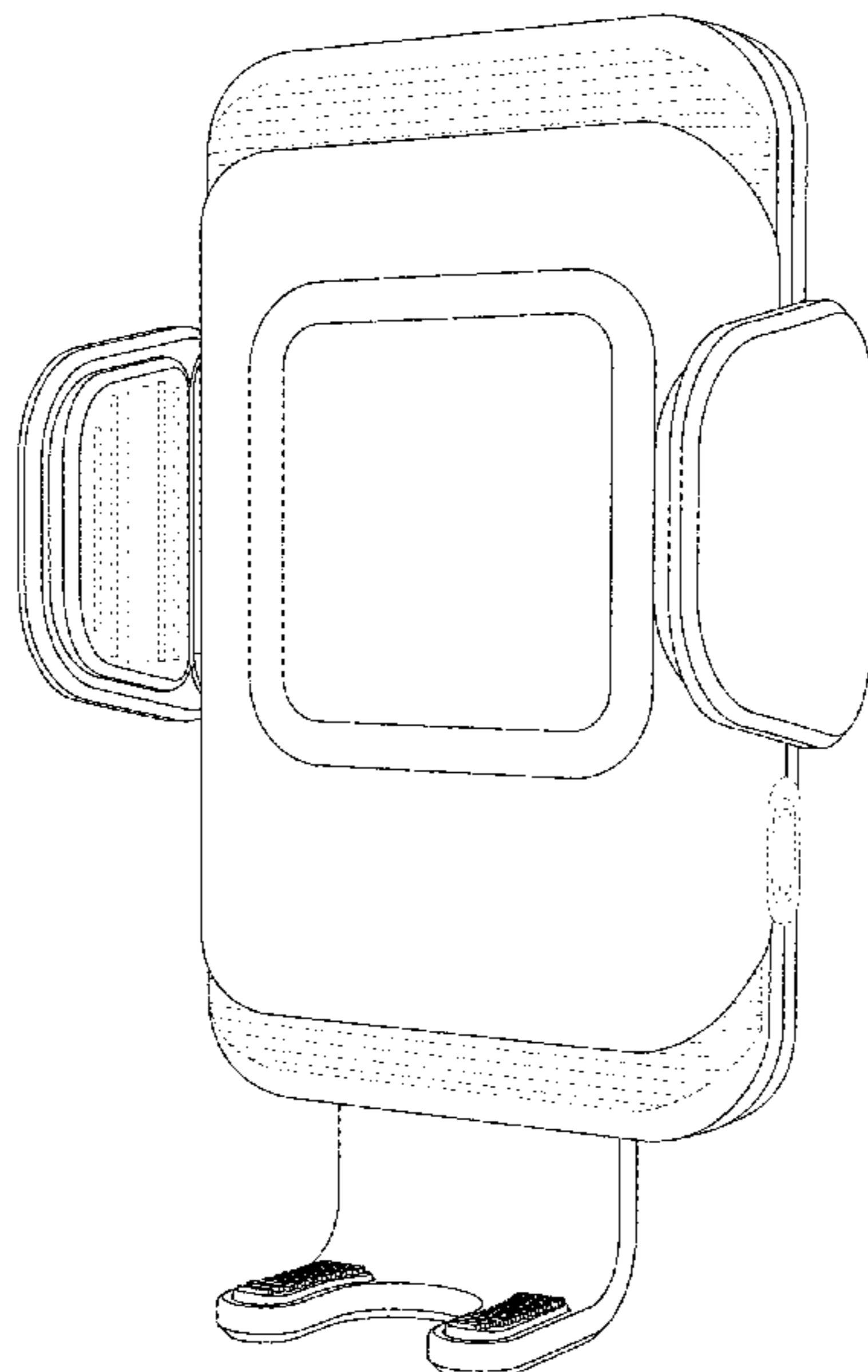
(57) **CLAIM**

The ornamental design for a wireless charging mount, as shown and described.

DESCRIPTION

FIG. 1 is a perspective view of a wireless charging mount showing my new design;
FIG. 2 is a front elevational view thereof;
FIG. 3 is a rear elevational view thereof;
FIG. 4 is a left side elevational view thereof;
FIG. 5 is a right side elevational view thereof;
FIG. 6 is a top plan view thereof; and,
FIG. 7 is a bottom plan view thereof.
The broken lines shown in the drawings are included for the purpose of illustrating portions of the wireless charging mount that form no part of the claimed design.

1 Claim, 7 Drawing Sheets



(56)

References Cited

U.S. PATENT DOCUMENTS

2017/0110902 A1* 4/2017 Miller H02J 7/025

OTHER PUBLICATIONS

ZeeHoo Wireless Car Charger,10W Qi Fast Charging Auto-Clamping Car Mount,Windshield Dash Air Vent Phone Holder Compatible iPhone 11/11 Pro/11 Pro Max/Xs MAX/XS/XR/X/8/8+,Samsung S10/S10+/S9/S9+/S8/S8+, https://www.amazon.com/Wireless-Auto-Clamping-Windshield-Dashboard-Compatible/dp/B07MX1YXNS/ref=zg_bs_2407770011_18?_encoding=UTF8&psc=1&refRID=FXNDB2DSFF876Y6P1RKF.

* cited by examiner

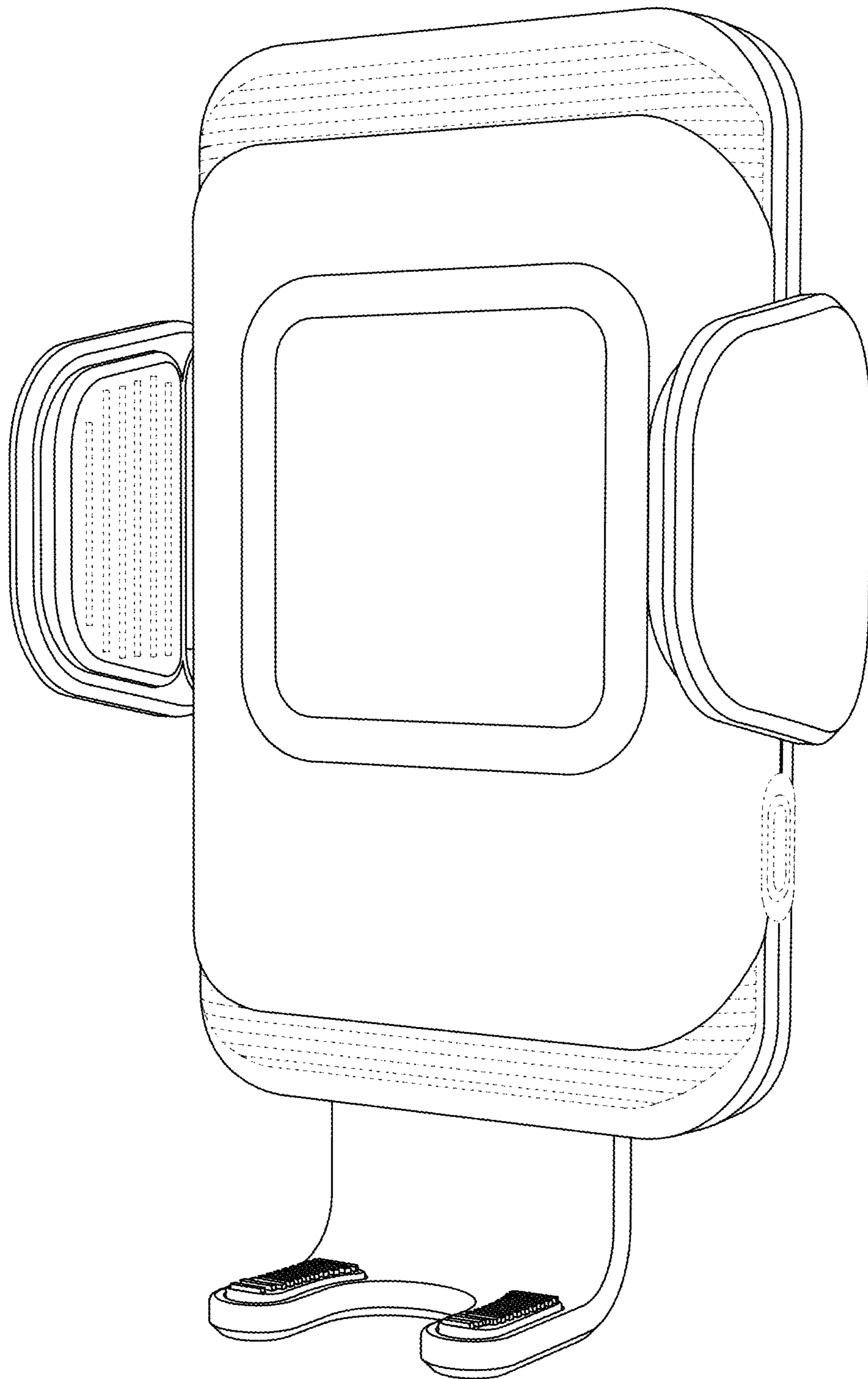


FIG. 1

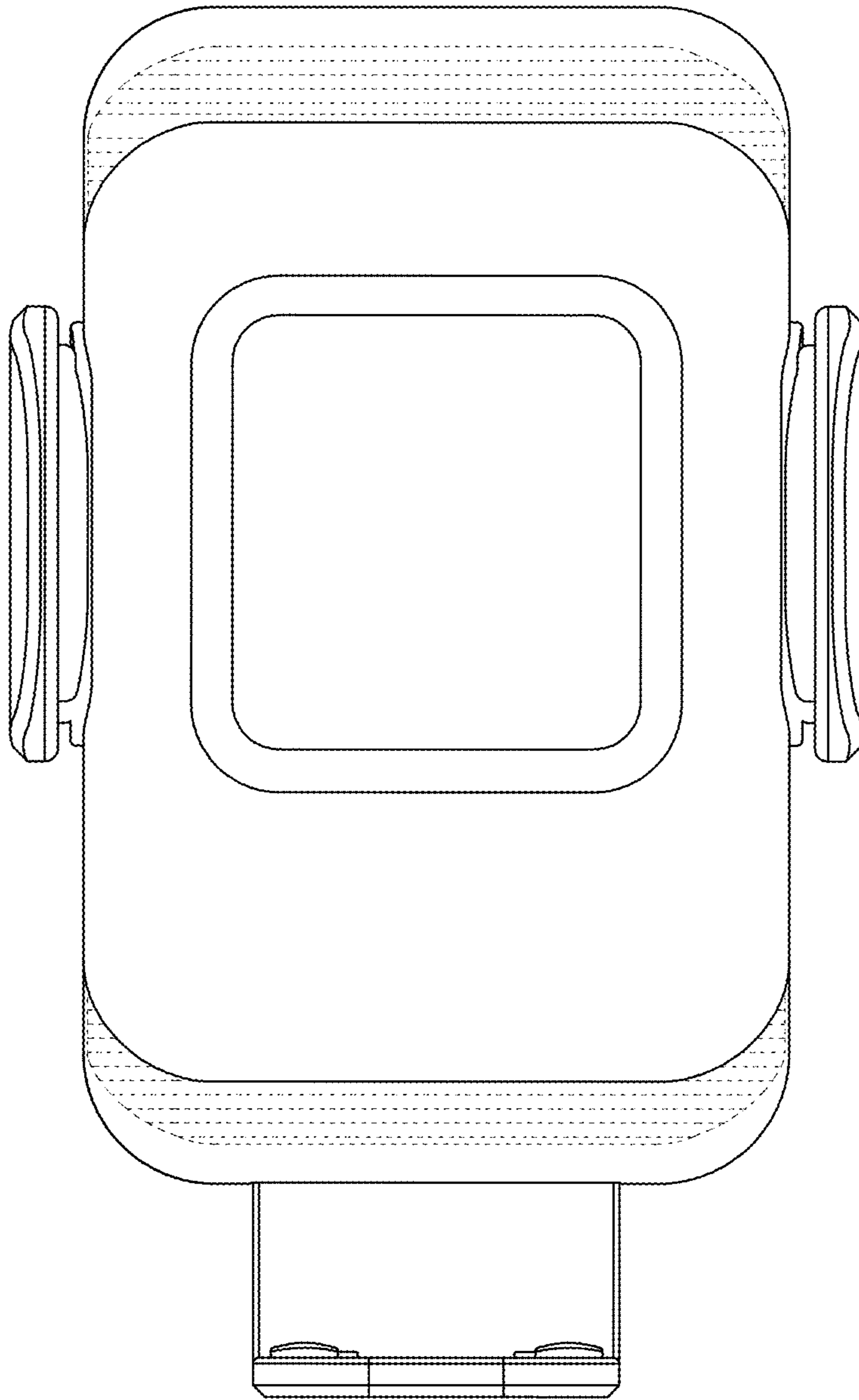


FIG. 2

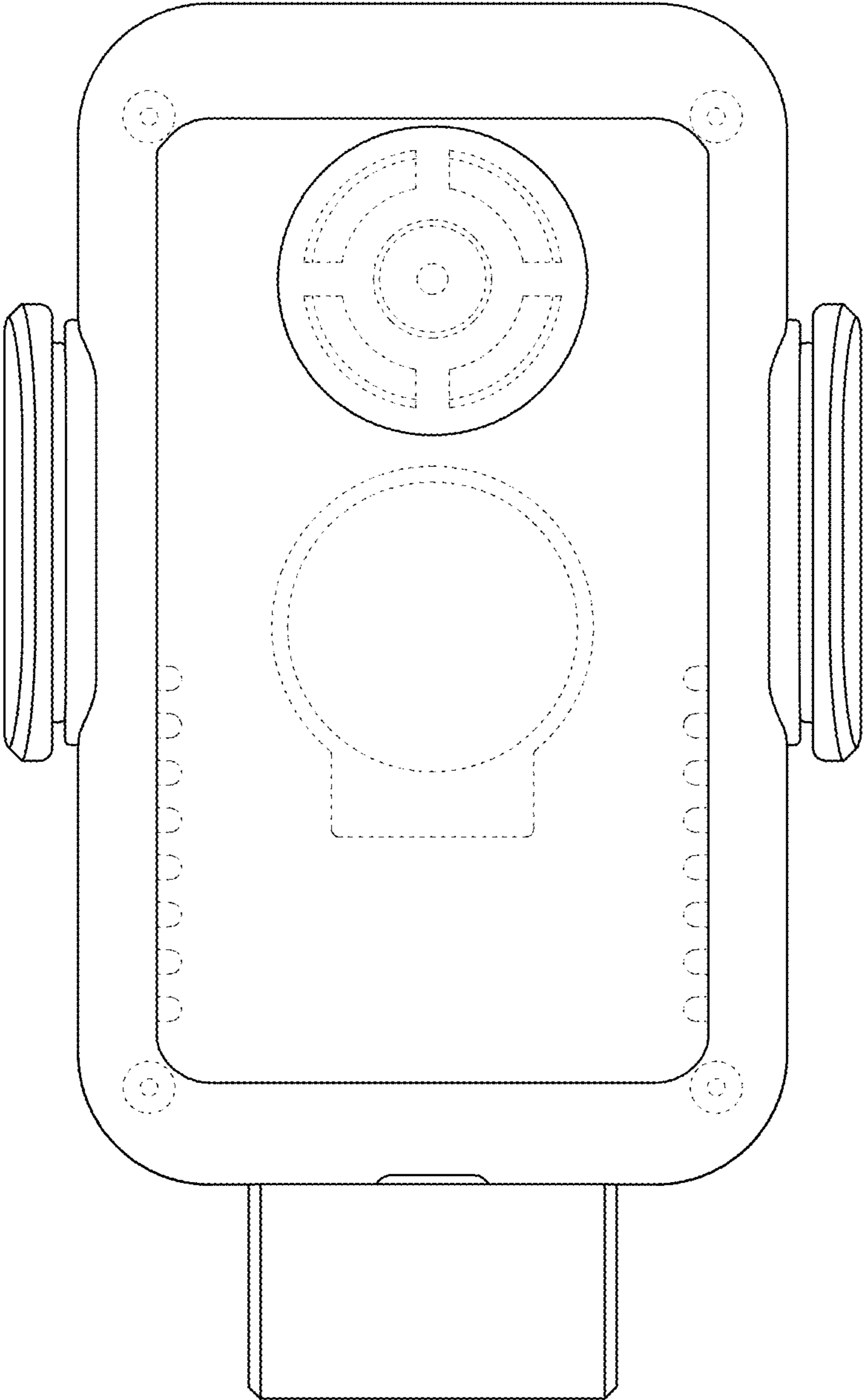


FIG. 3

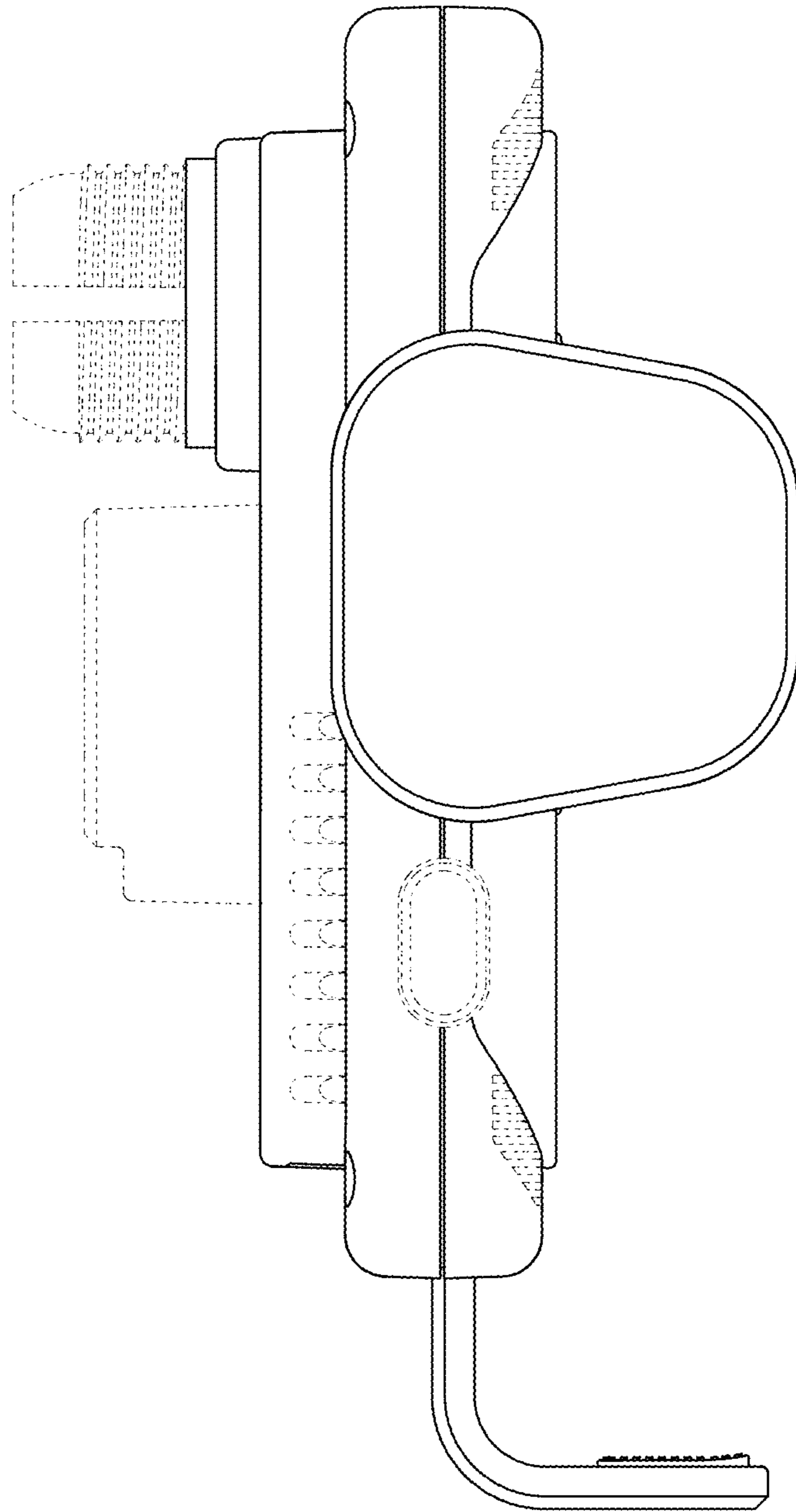


FIG. 4

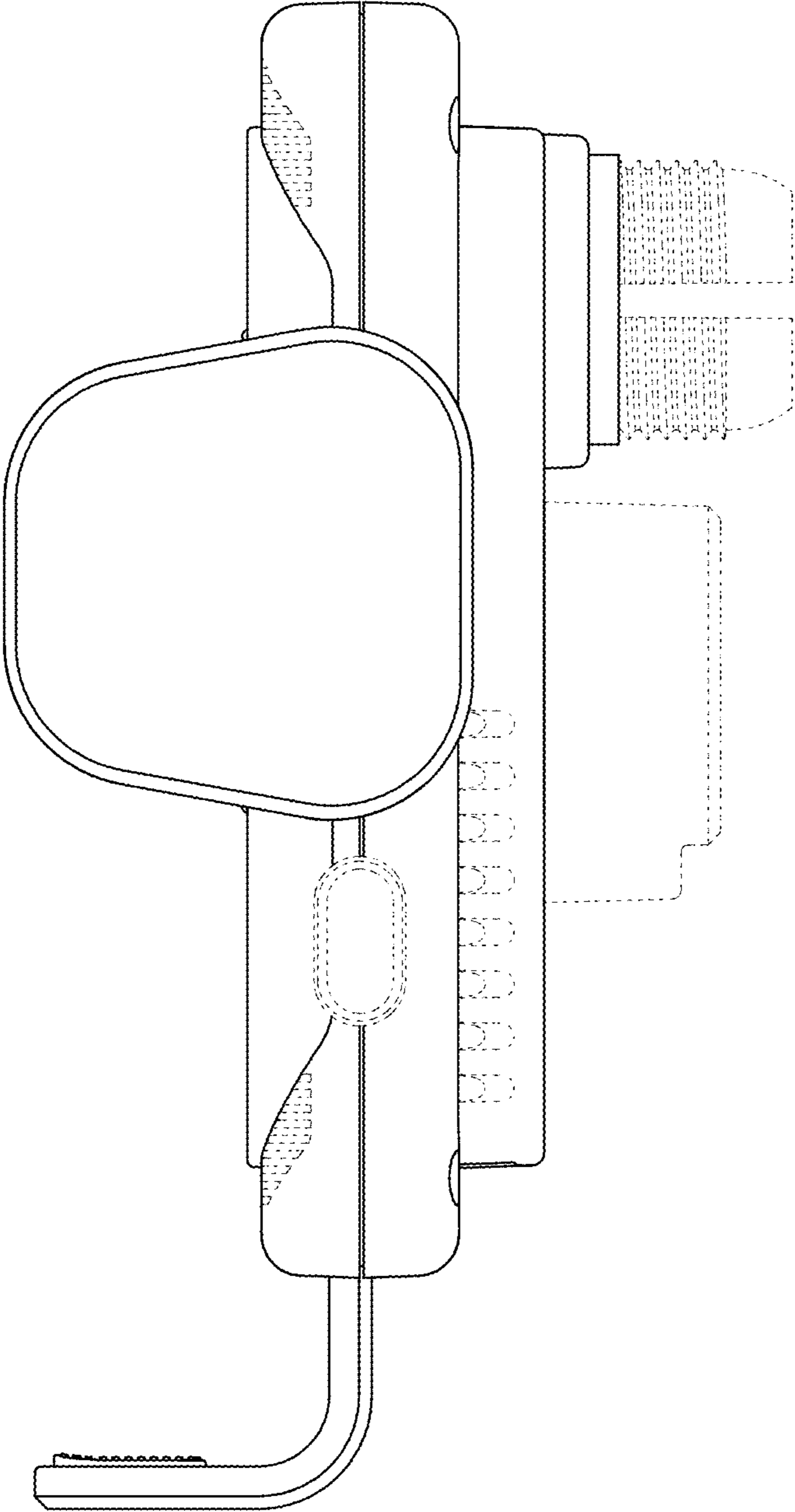


FIG. 5

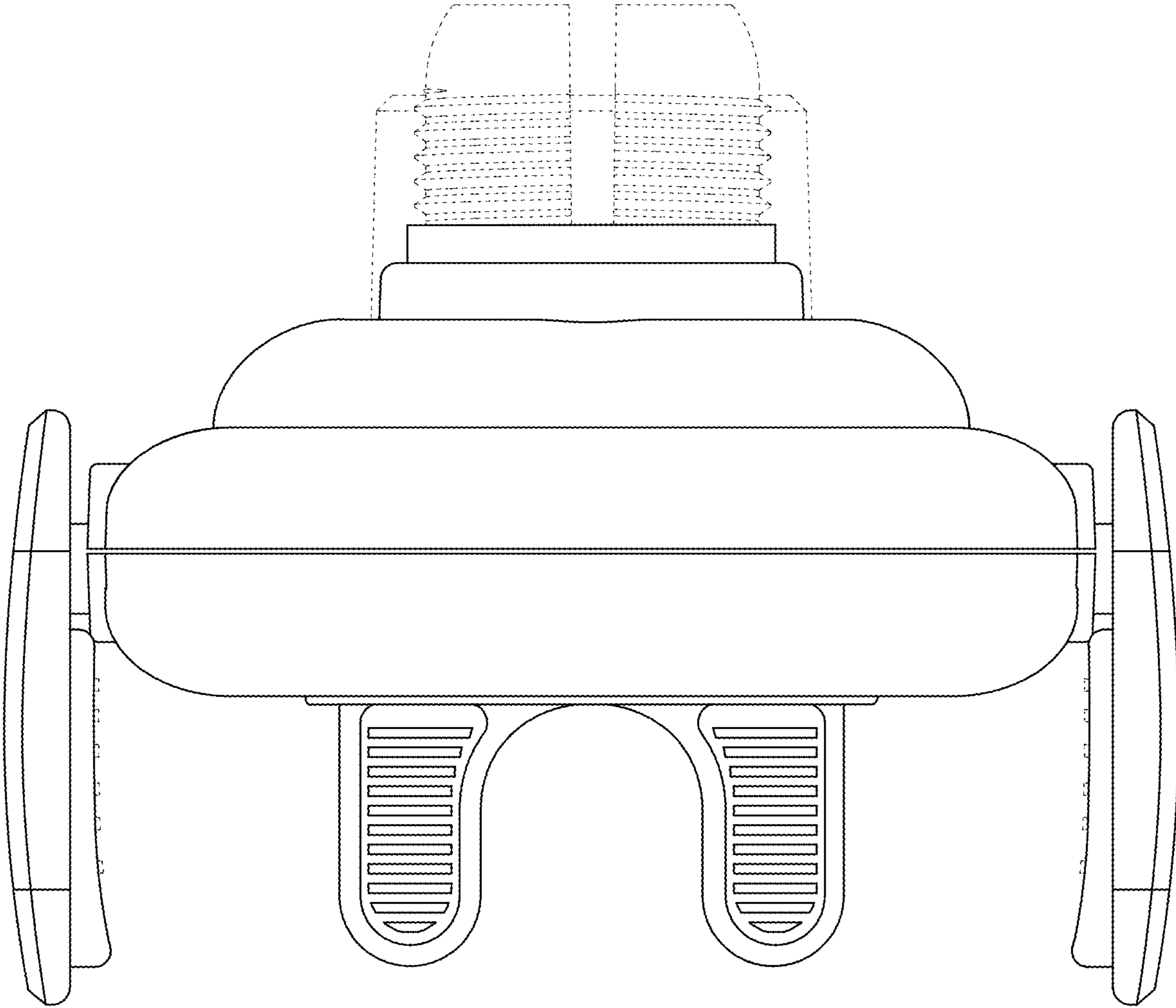


FIG. 6

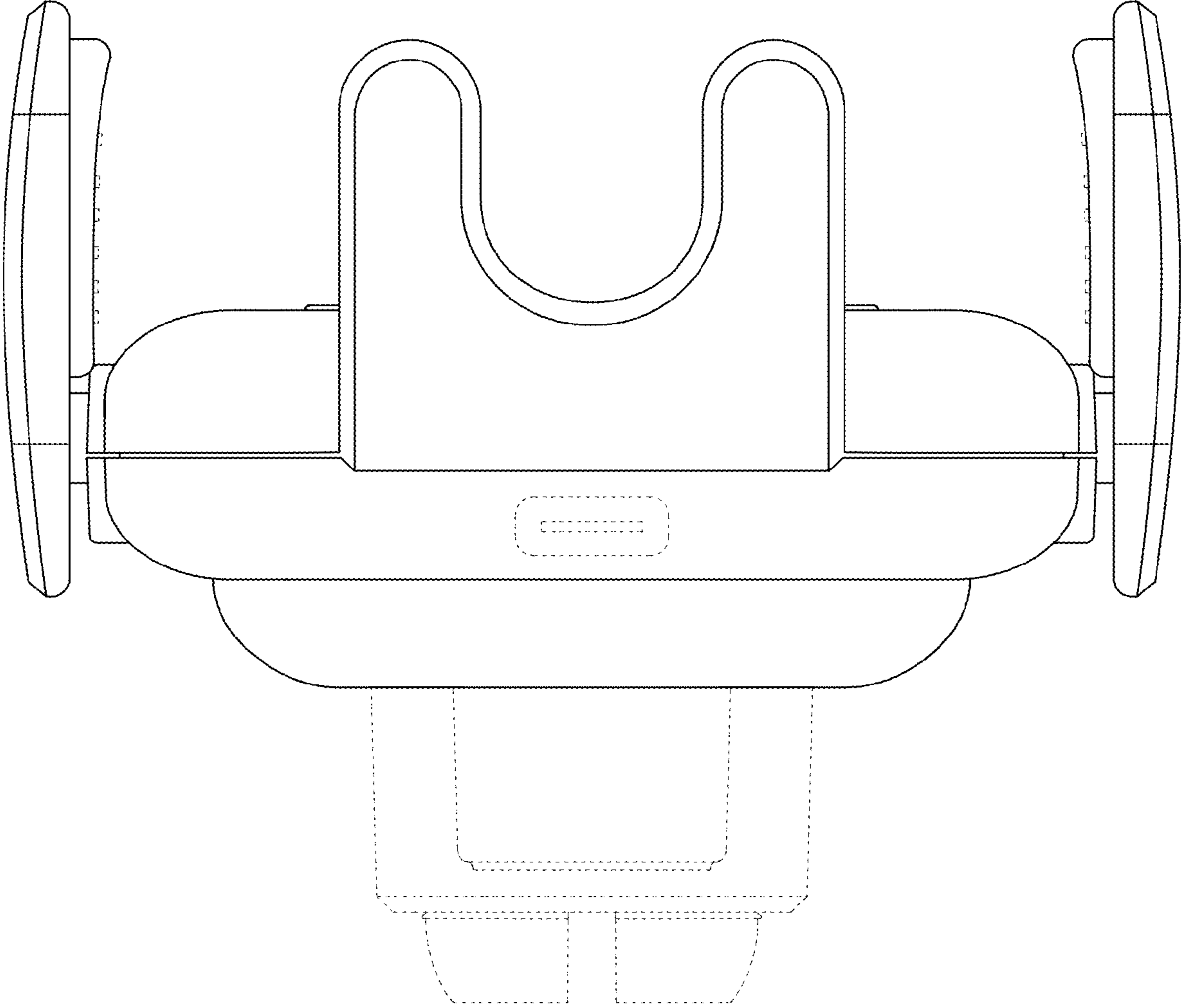


FIG. 7