



US00D896173S

(12) **United States Design Patent**
Zhang et al.

(10) **Patent No.:** **US D896,173 S**

(45) **Date of Patent:** **** Sep. 15, 2020**

(54) **CHARGING BASE FOR ELECTRONIC DEVICES**

(71) Applicant: **YEALINK (XIAMEN) NETWORK TECHNOLOGY CO., LTD.**, Xiamen, Fujian (CN)

(72) Inventors: **Jiancheng Zhang**, Fujian (CN);
Jingfeng Su, Fujian (CN)

(73) Assignee: **YEALINK (XIAMEN) NETWORK TECHNOLOGY CO., LTD.**, Xiamen (CN)

(**) Term: **15 Years**

(21) Appl. No.: **29/679,171**

(22) Filed: **Feb. 2, 2019**

(30) **Foreign Application Priority Data**

Oct. 19, 2018 (CN) 2018 3 0585436

(51) **LOC (12) Cl.** **13-02**

(52) **U.S. Cl.**
USPC **D13/108**

(58) **Field of Classification Search**
USPC D13/107-110, 118-119, 184; D14/251, D14/253, 432, 434
CPC Y02E 60/12; Y02T 90/14; Y02T 90/122; Y02T 90/128; Y02T 90/163; H02J 7/025; H02J 7/0042; H02J 7/0044; H02J 7/0045; H02J 7/0013; H02J 7/0003; H01F 38/14; H01R 13/6675; H01M 2/1022; H01M 2/1055; H01M 10/44; H01M 10/46; H01M 10/425; B60L 11/182

See application file for complete search history.

(56) **References Cited**

U.S. PATENT DOCUMENTS

| | | | | |
|-------------------|---------|-------------|-------|----------------------|
| D316,768 S * | 5/1991 | Komar | | D32/73 |
| D361,069 S * | 8/1995 | Hellier | | D13/108 |
| D431,021 S * | 9/2000 | Collins | | D13/108 |
| D488,440 S * | 4/2004 | Senda | | D13/108 |
| D509,790 S * | 9/2005 | Sakai | | D13/108 |
| D523,809 S * | 6/2006 | Roth | | D13/108 |
| D577,667 S * | 9/2008 | Beedham | | D13/108 |
| D631,006 S * | 1/2011 | Fahrendorff | | D13/108 |
| D634,304 S * | 3/2011 | Andre | | D14/217 |
| D702,665 S * | 4/2014 | Kim | | D14/217 |
| D721,649 S * | 1/2015 | Tsai | | D13/108 |
| D853,470 S * | 7/2019 | Ridinger | | D17/20 |
| 2008/0303481 A1 * | 12/2008 | Silverbrook | | H04M 1/04 320/115 |

* cited by examiner

Primary Examiner — Nathaniel D. Buckner

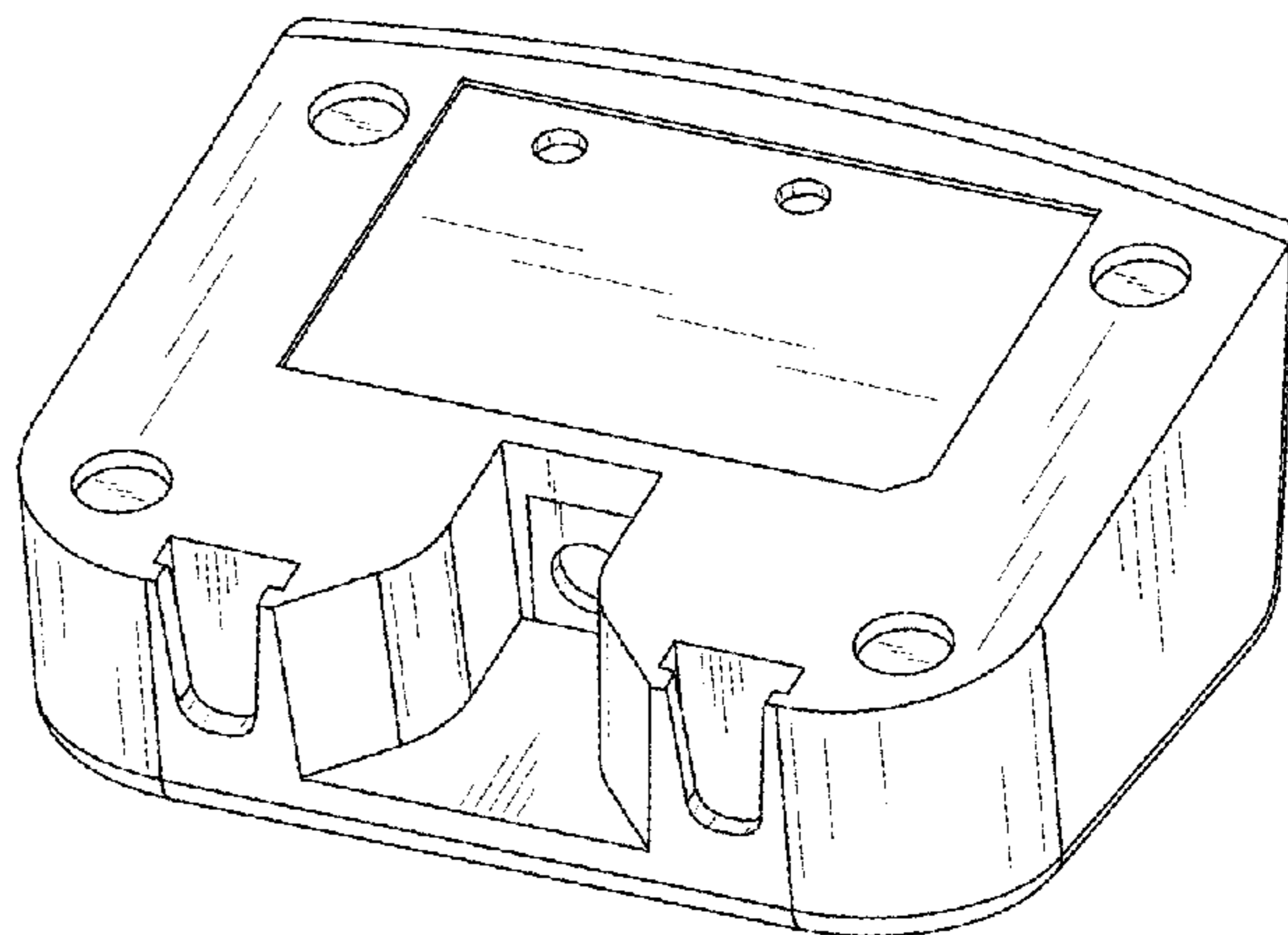
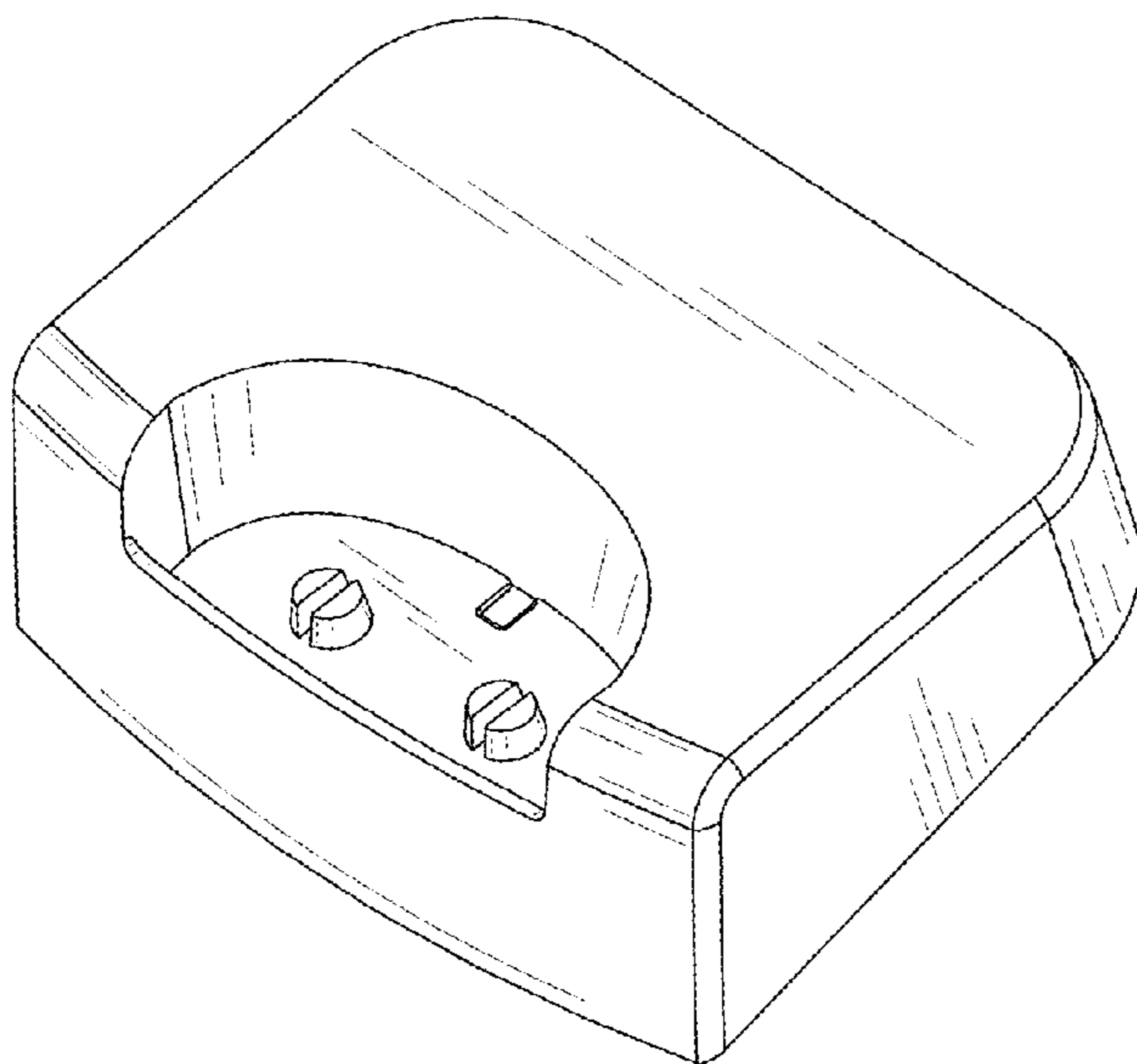
(57) **CLAIM**

The ornamental design for a charging base for electronic devices, as shown and described.

DESCRIPTION

FIG. 1 is a front elevational view of a charging base for electronic devices showing our new design;
FIG. 2 is a rear elevational view thereof;
FIG. 3 is a left side view thereof;
FIG. 4 is a right side view thereof;
FIG. 5 is a top plan view thereof;
FIG. 6 is a bottom plan view thereof;
FIG. 7 is a top, front and right side perspective view thereof;
and,
FIG. 8 is a bottom, rear and right side perspective view thereof.

1 Claim, 4 Drawing Sheets



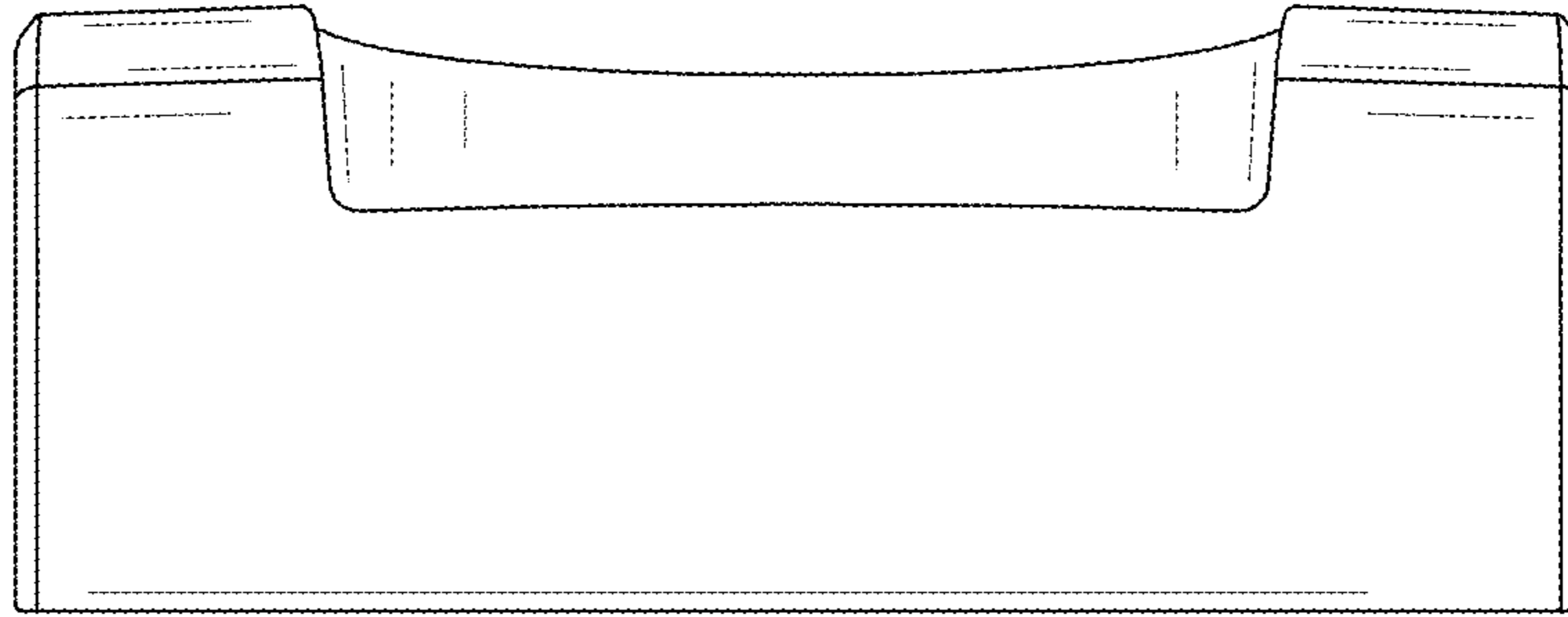


FIG. 1

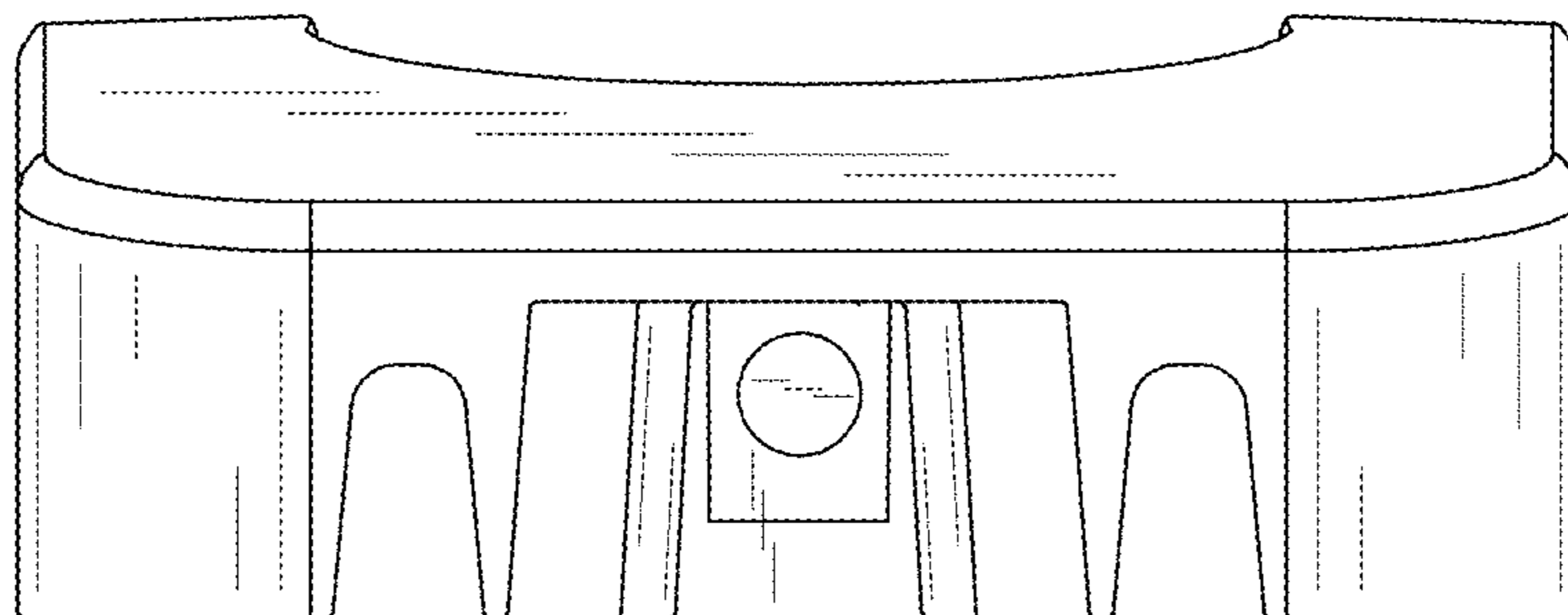


FIG. 2

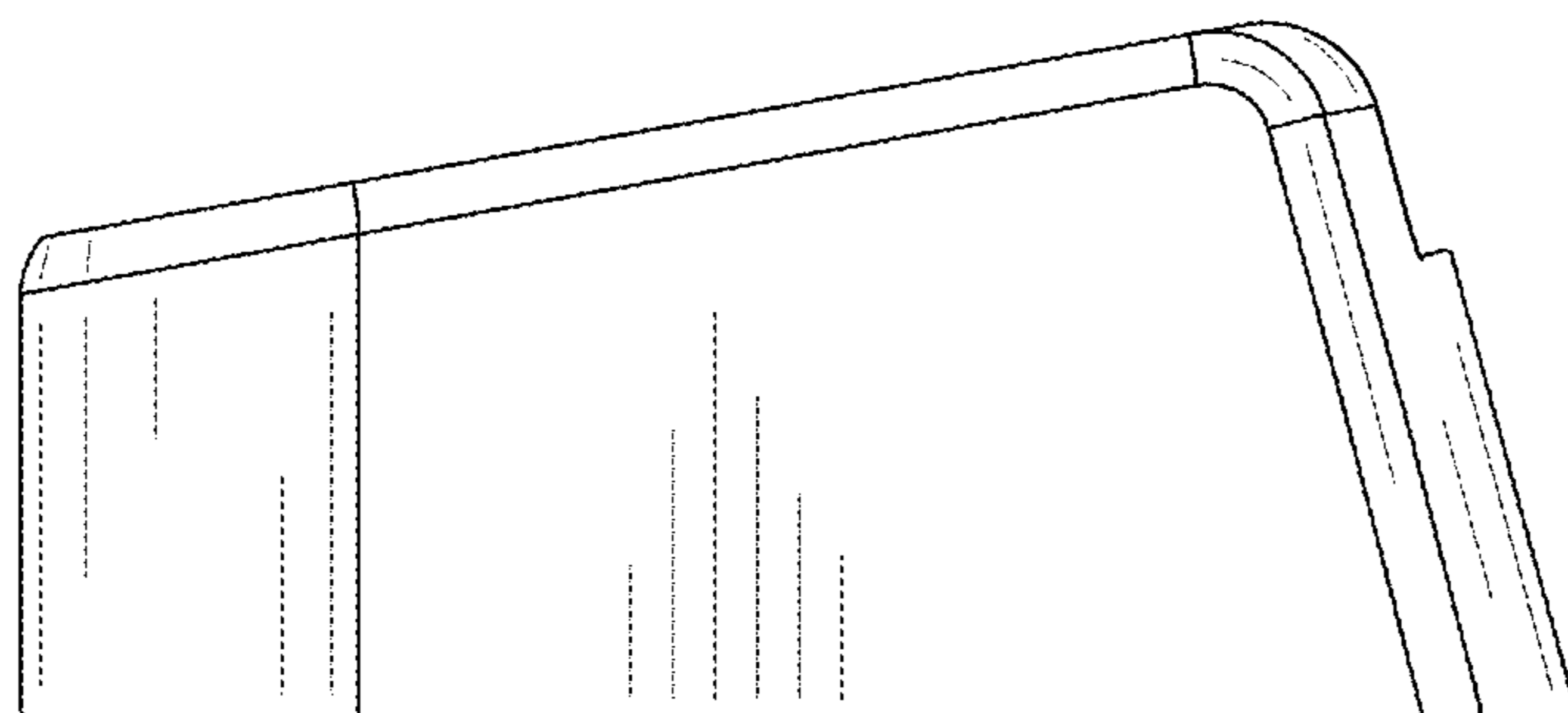


FIG.3

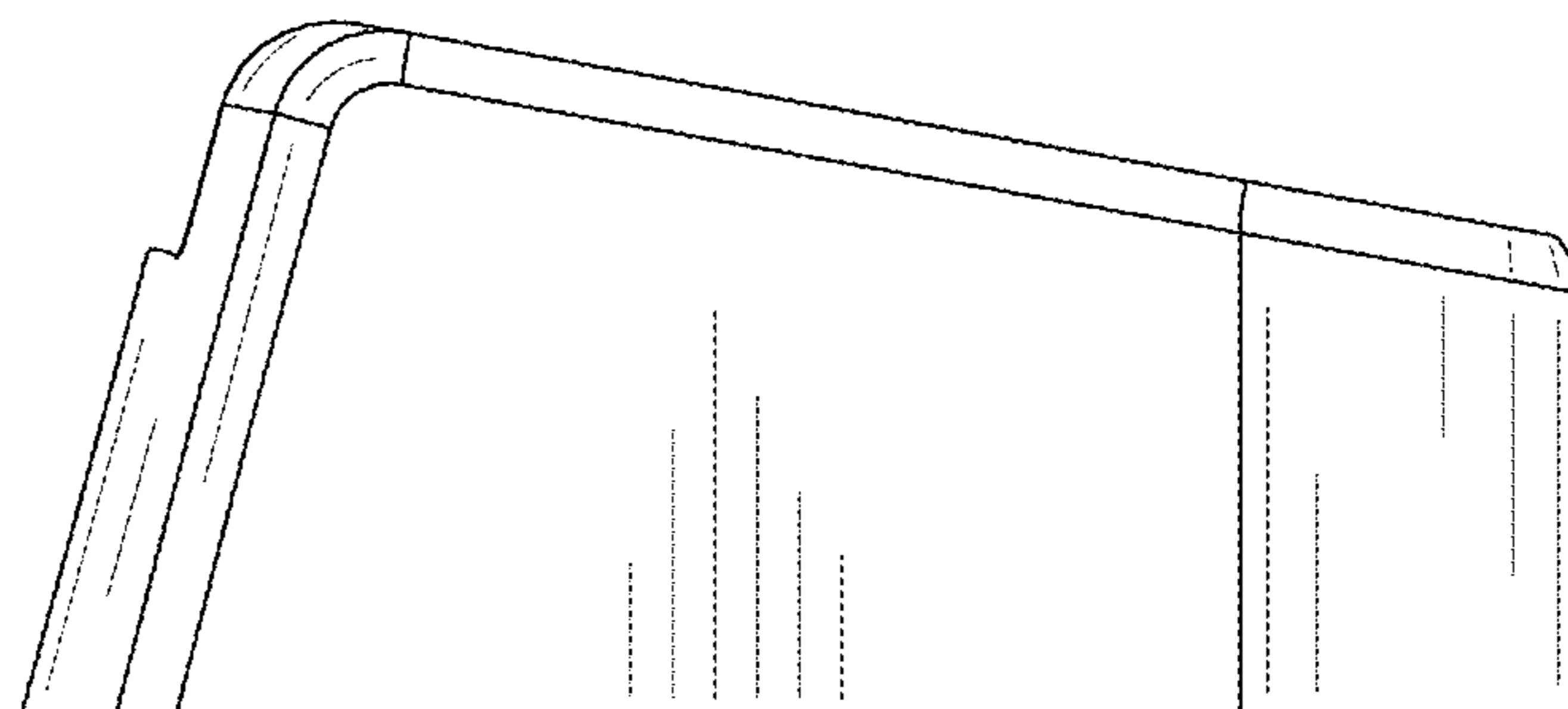


FIG.4

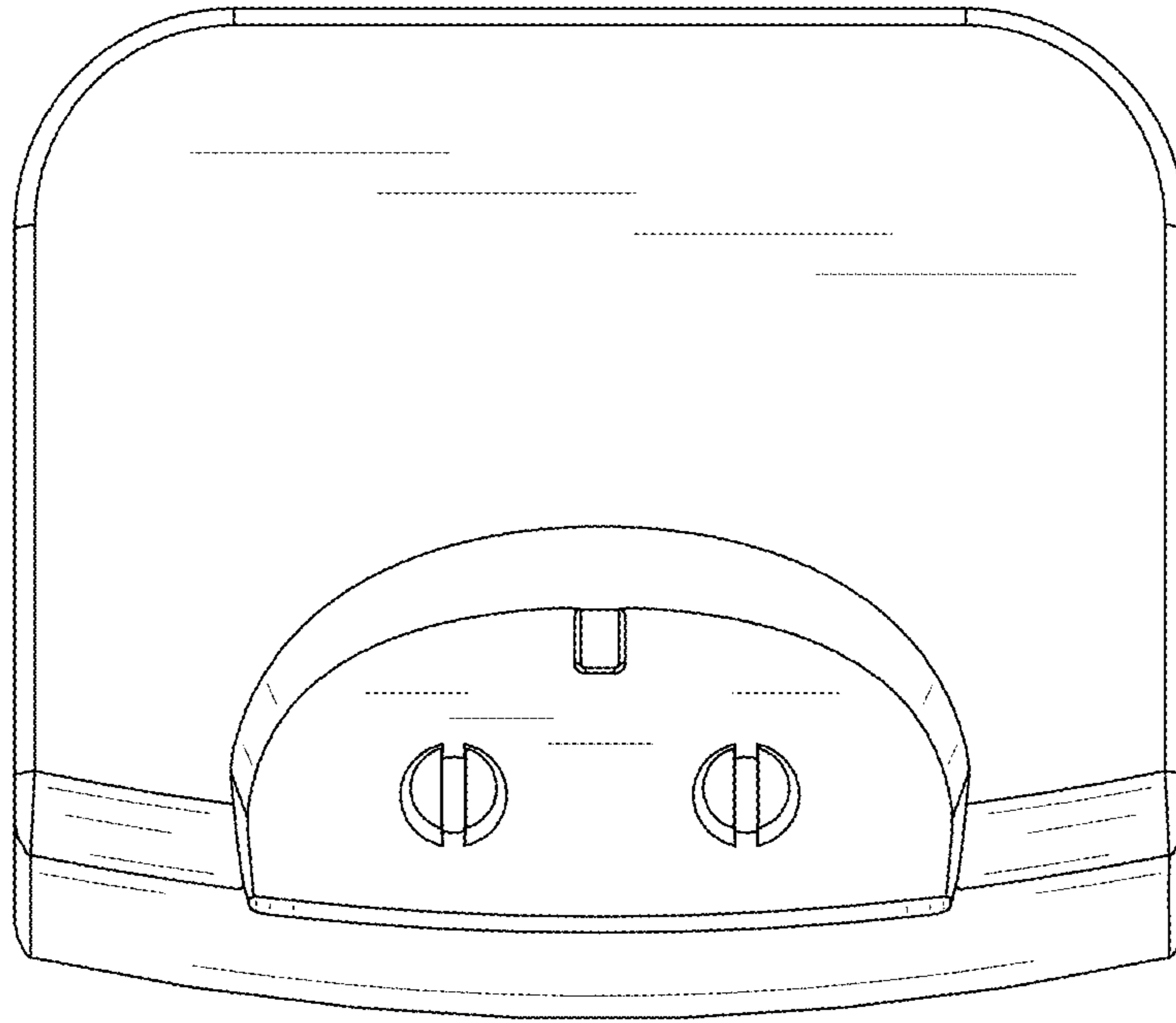


FIG. 5

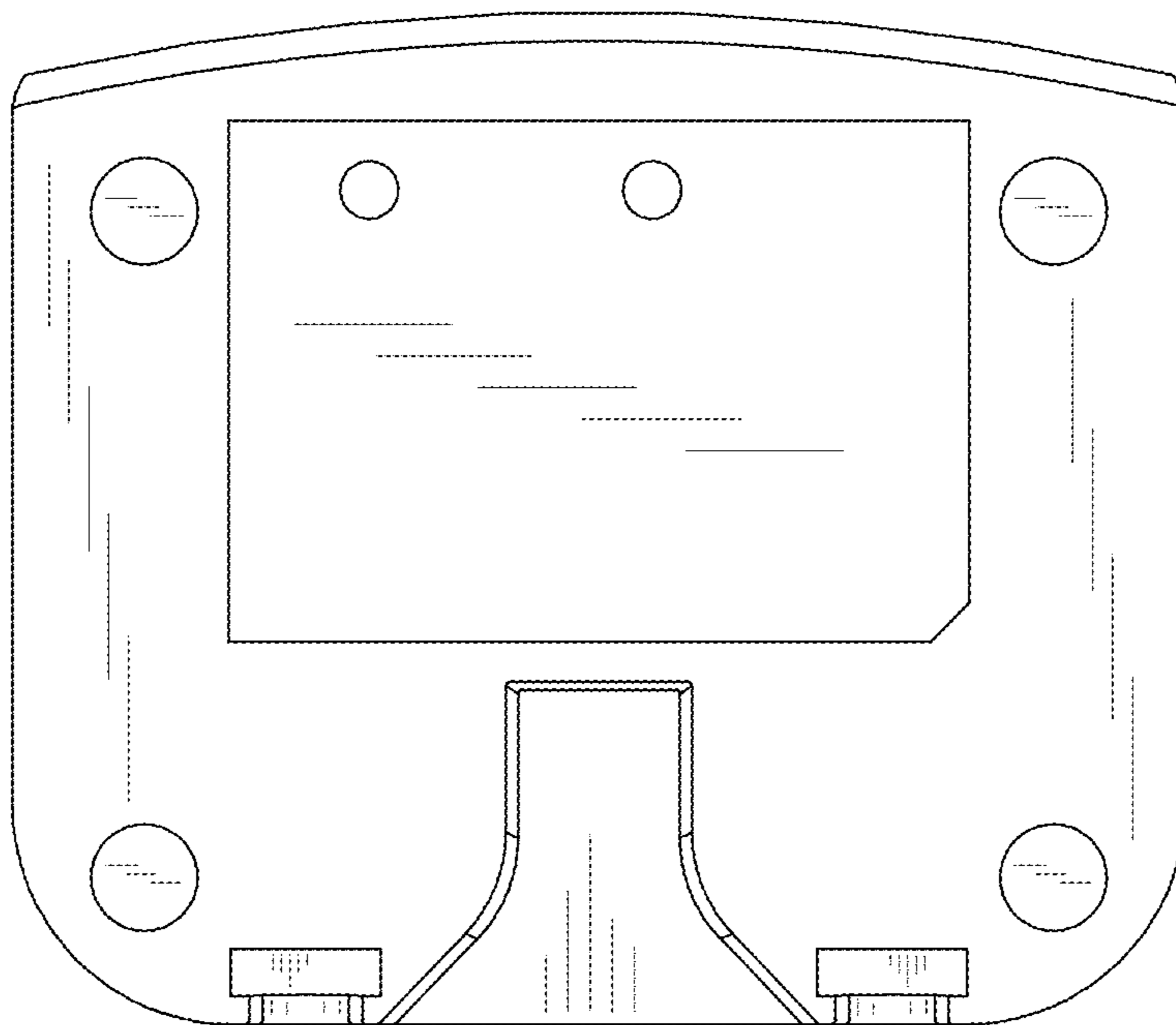


FIG. 6

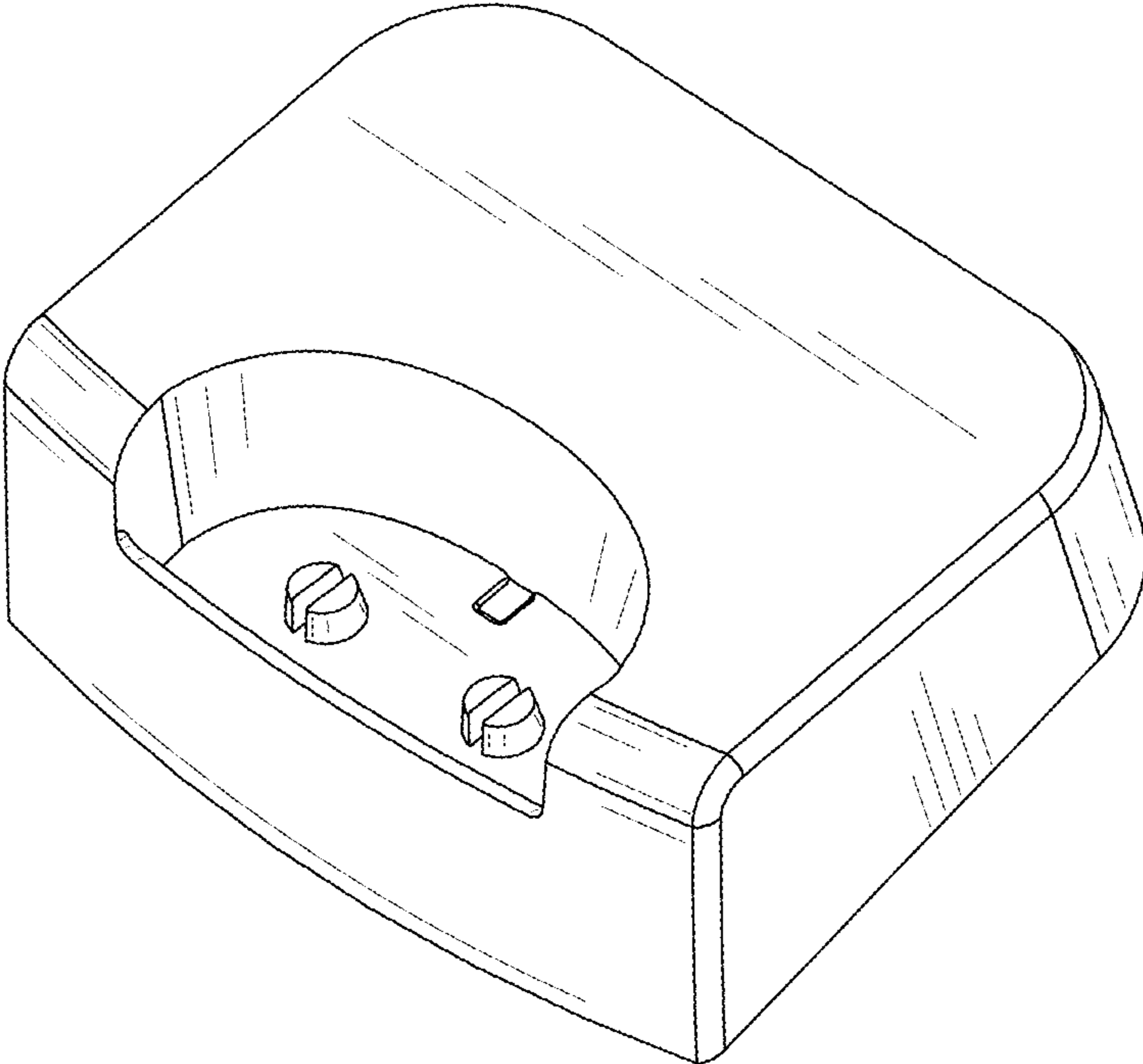


FIG. 7

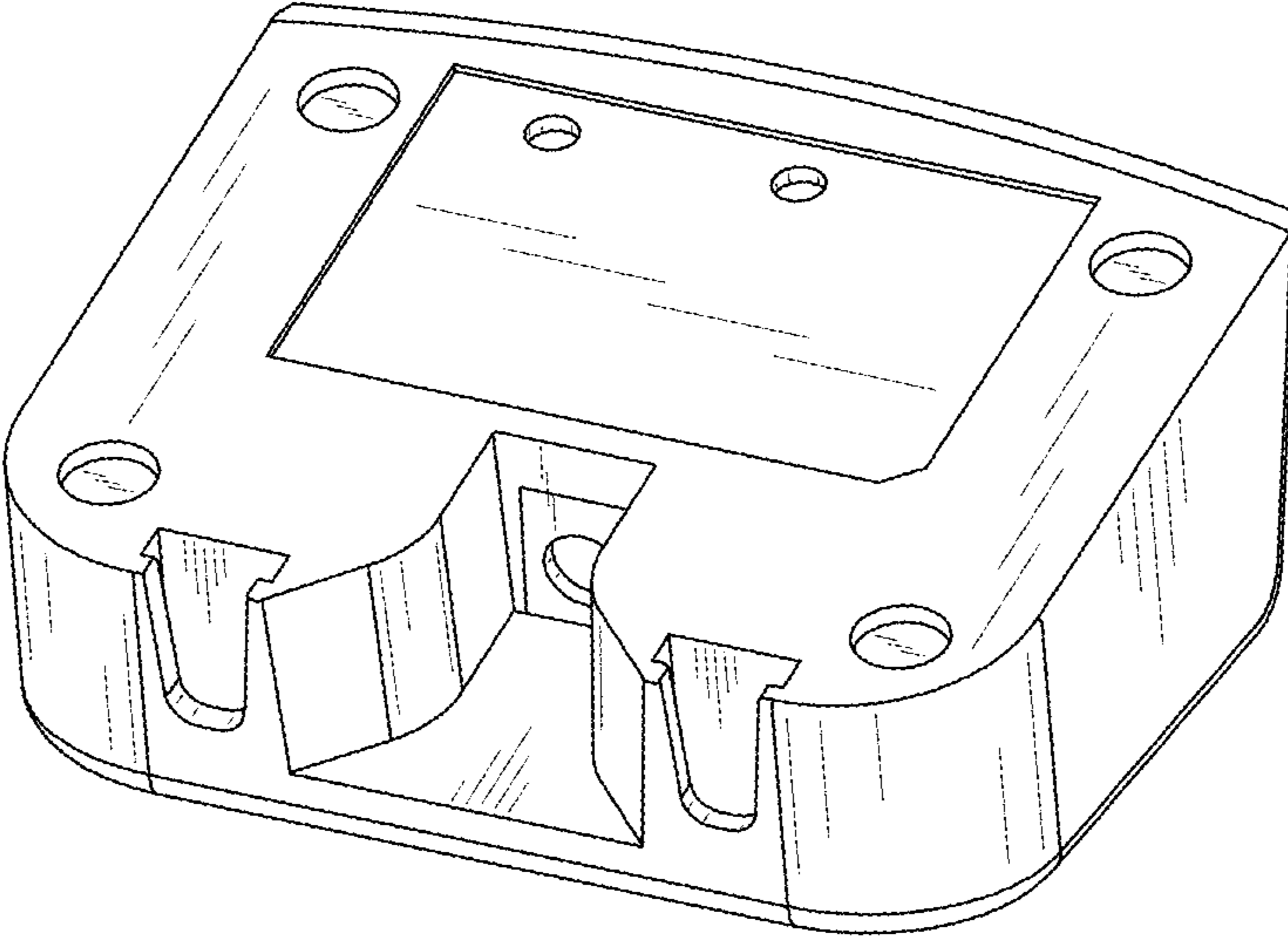


FIG. 8