



US00D896171S

(12) **United States Design Patent**
Huang

(10) **Patent No.:** **US D896,171 S**

(45) **Date of Patent:** **** Sep. 15, 2020**

(54) **CHARGER**

(71) Applicant: **Gaojie Huang**, Guangdong (CN)

(72) Inventor: **Gaojie Huang**, Guangdong (CN)

(73) Assignee: **Shenzhen Gaodexin Electronic Technology Co. Ltd**, Shenzhen, Guangdong (CN)

(**) Term: **15 Years**

(21) Appl. No.: **29/663,187**

(22) Filed: **Sep. 12, 2018**

(51) **LOC (12) Cl.** **13-02**

(52) **U.S. Cl.**
USPC **D13/108**

(58) **Field of Classification Search**
USPC D13/102–110, 118–119, 184, 199, 154,
D13/147, 133, 153, 146; D14/251, 253,
D14/356, 432

CPC Y02E 60/12; Y02T 90/14; Y02T 90/122;
Y02T 90/128; Y02T 90/163; H02J 7/025;
H02J 7/0042; H02J 7/0044; H02J 7/0045;
H02J 7/0003; H01F 38/14; H01R
13/6675; H01R 13/639; H01M 2/1022;
H01M 2/1055; H01M 10/44; H01M
10/46; H01M 10/425; B60L 11/182

See application file for complete search history.

(56) **References Cited**

U.S. PATENT DOCUMENTS

D155,472 S * 10/1949 Bec Var D13/137.2
D657,743 S * 4/2012 Andre D13/110
D661,649 S * 6/2012 Andre D13/110

D663,687 S * 7/2012 Liu D13/108
D715,734 S * 10/2014 Levy D13/110
D736,154 S * 8/2015 Levy D13/108
D741,796 S * 10/2015 Robinson D13/103
D756,916 S * 5/2016 Yang D13/108
D772,160 S * 11/2016 Roberts D13/110
D784,921 S * 4/2017 Huang D13/107
D790,464 S * 6/2017 He D13/110
D796,432 S * 9/2017 Liu D13/107
D797,665 S * 9/2017 Champaign D13/108
D850,366 S * 6/2019 Zou D13/108
D879,710 S * 3/2020 Yang D13/108
D883,198 S * 5/2020 Zhang D13/107

* cited by examiner

Primary Examiner — Catherine S Posthauer

Assistant Examiner — Alison M Ofstun

(57) **CLAIM**

The ornamental design for a charger, as shown and described.

DESCRIPTION

FIG. 1 is a perspective view of a charger showing my new design;

FIG. 2 is a front elevation view thereof;

FIG. 3 is a rear elevation view thereof;

FIG. 4 is a left side elevation view thereof;

FIG. 5 is a right side elevation view thereof;

FIG. 6 is a top plan view thereof;

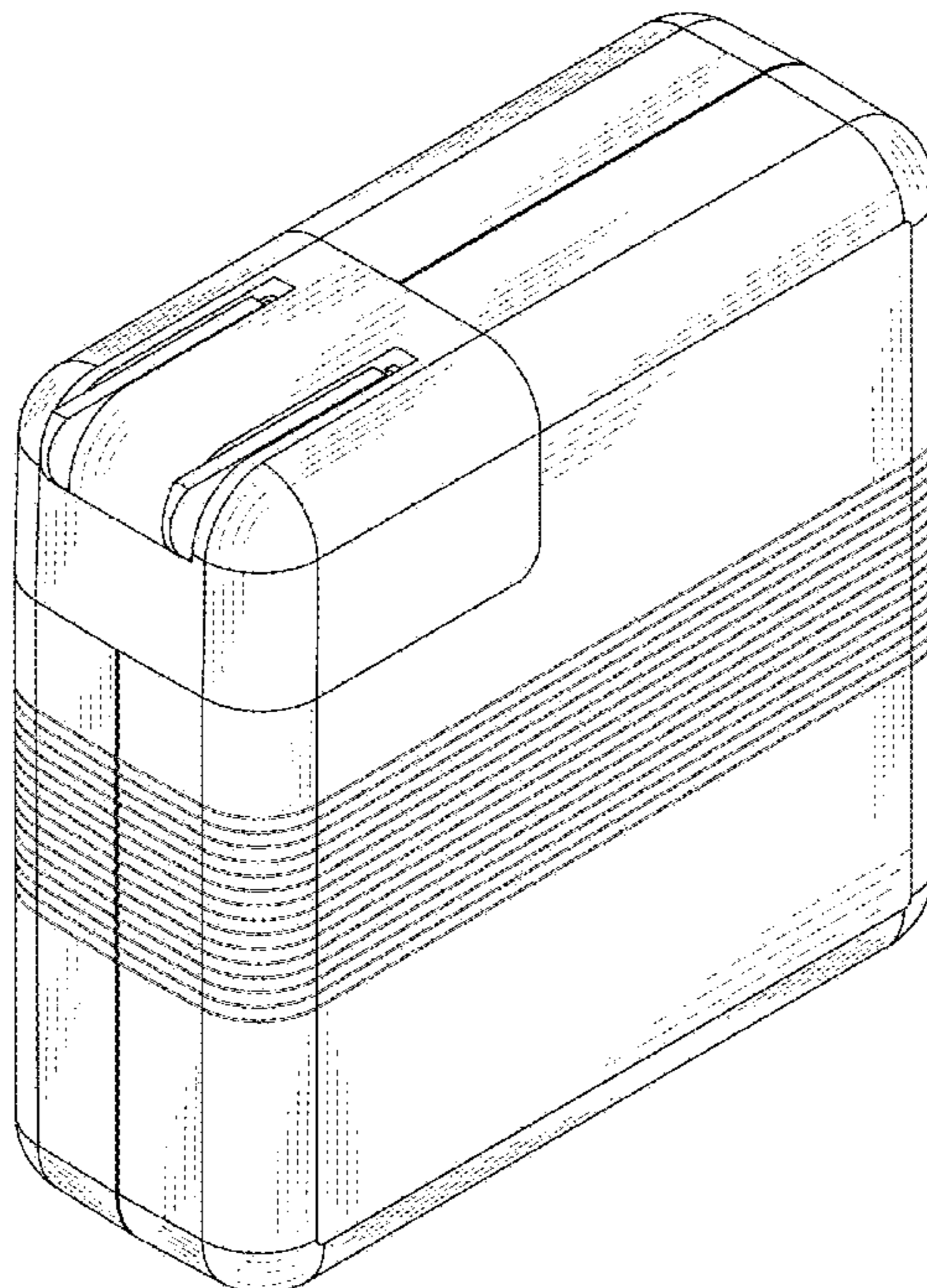
FIG. 7 is a bottom plan view thereof;

FIG. 8 is a perspective view thereof, shown in a position of use;

FIG. 9 is a front, left and bottom perspective view thereof; and,

FIG. 10 is a front, left and top perspective view thereof.

1 Claim, 10 Drawing Sheets



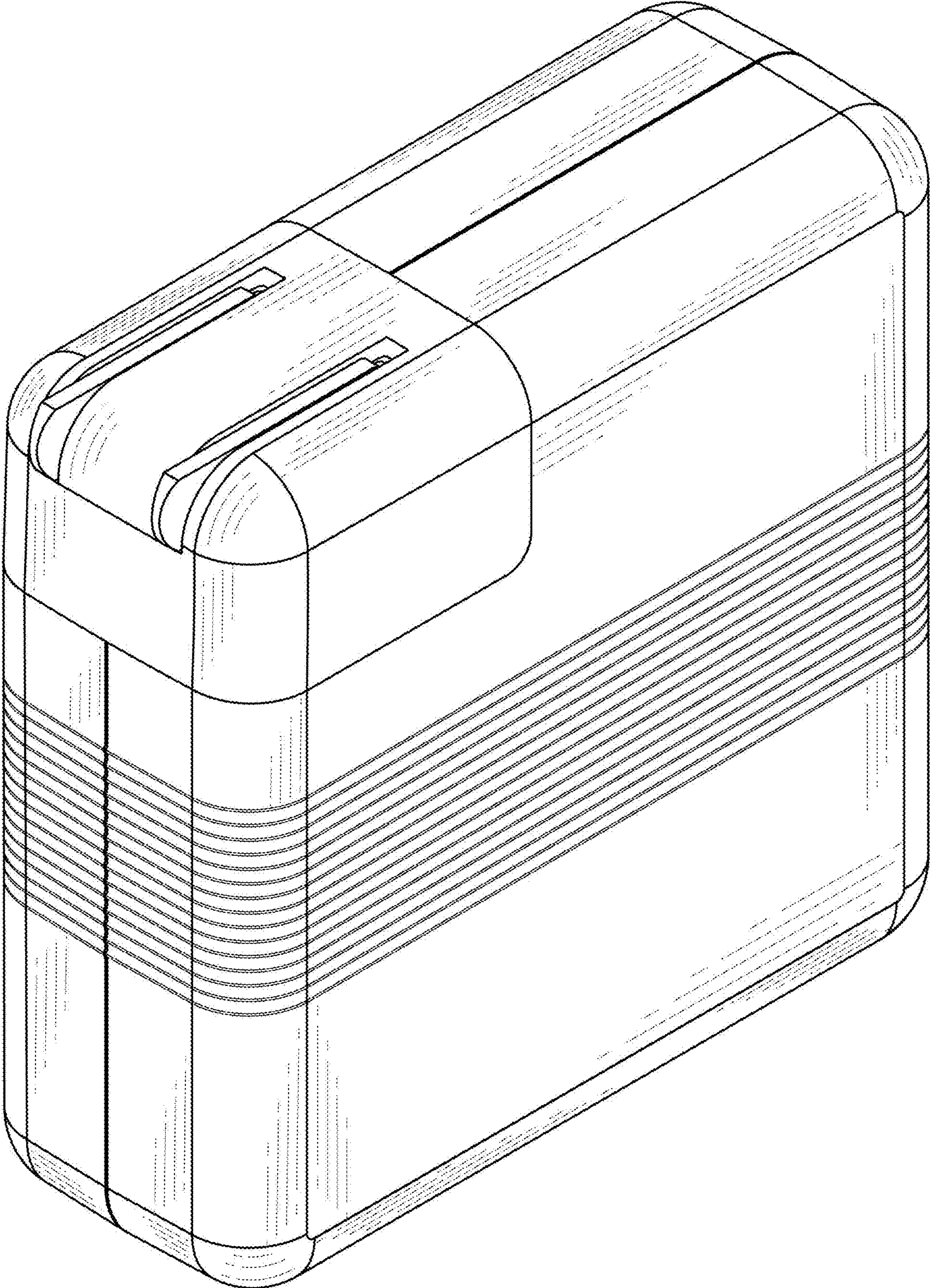


FIG.1

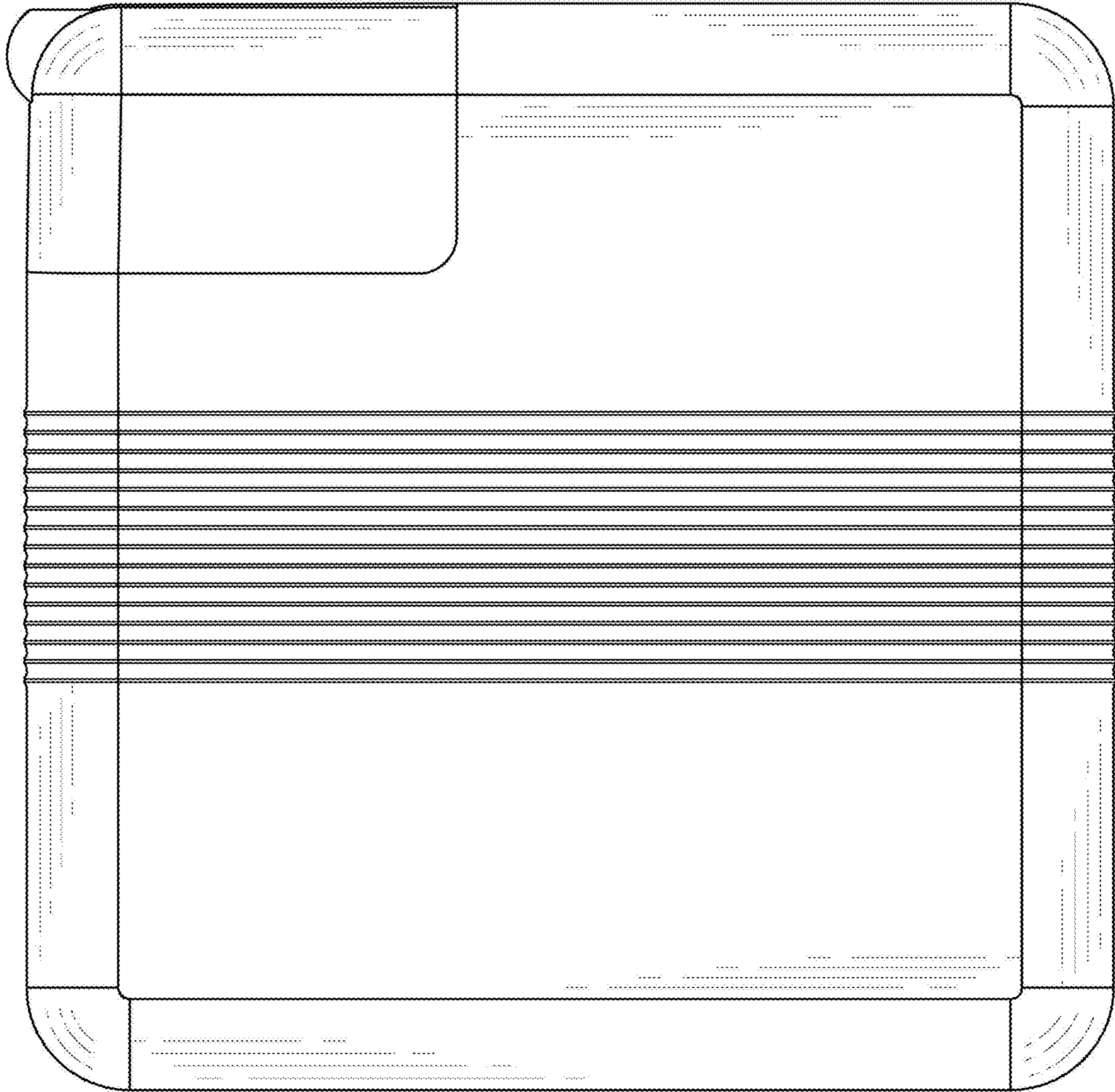


FIG.2

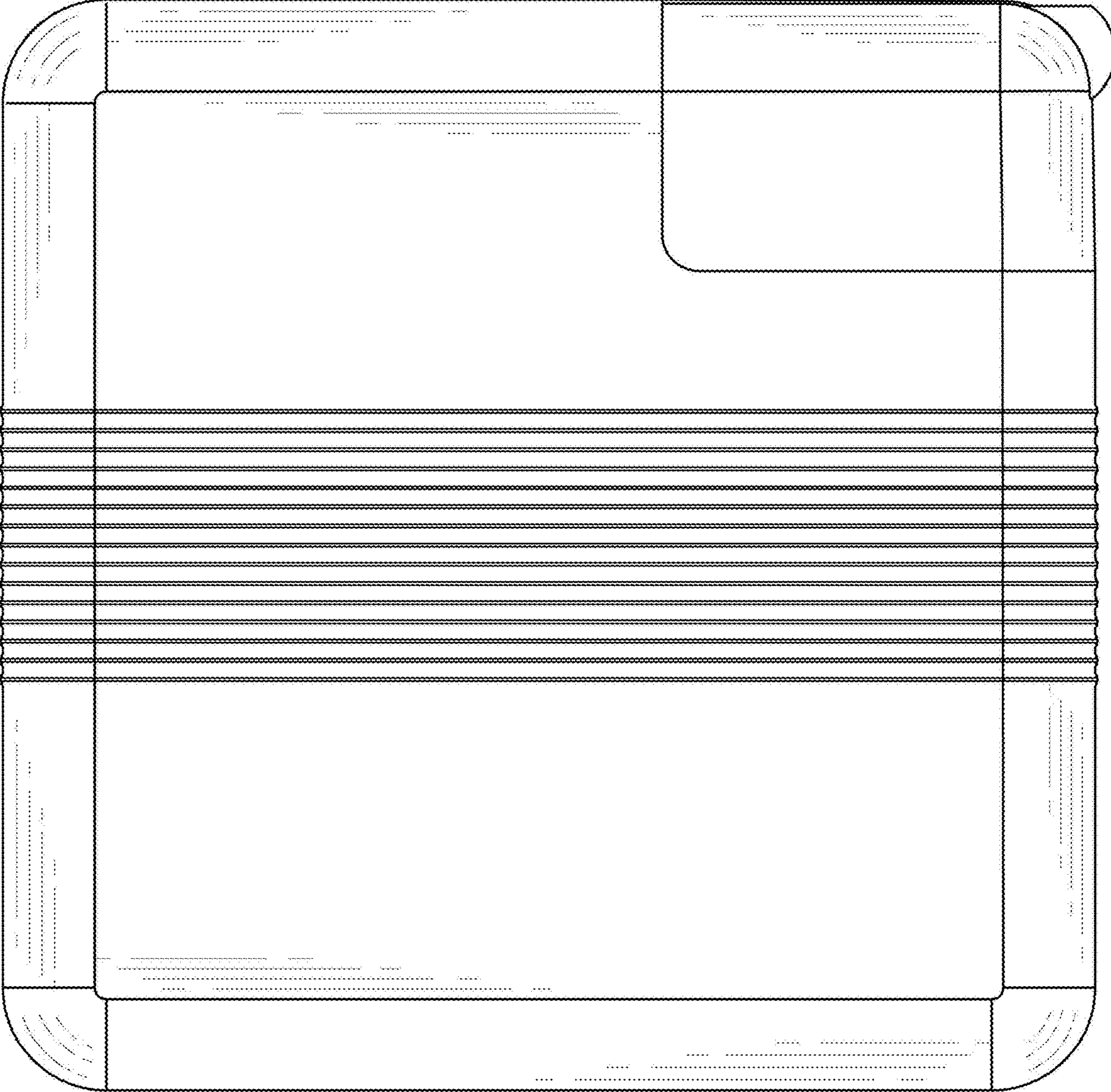


FIG.3

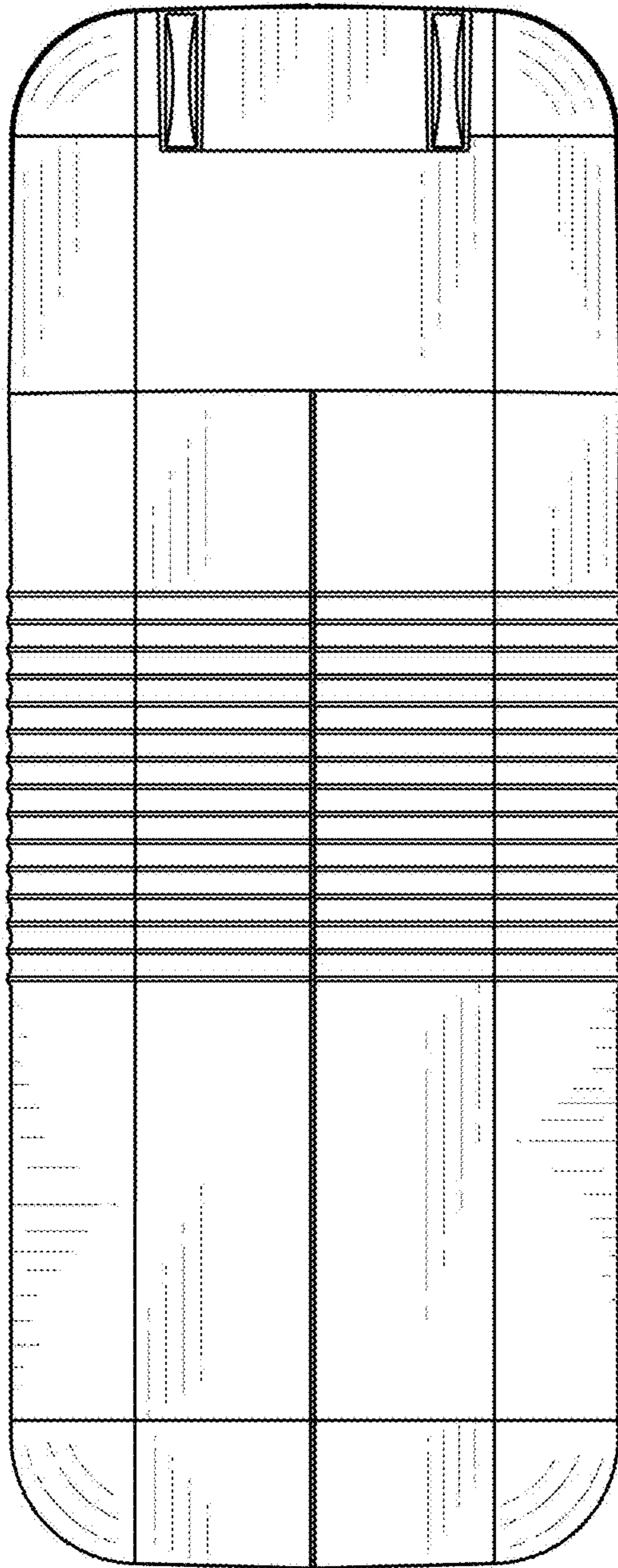


FIG.4

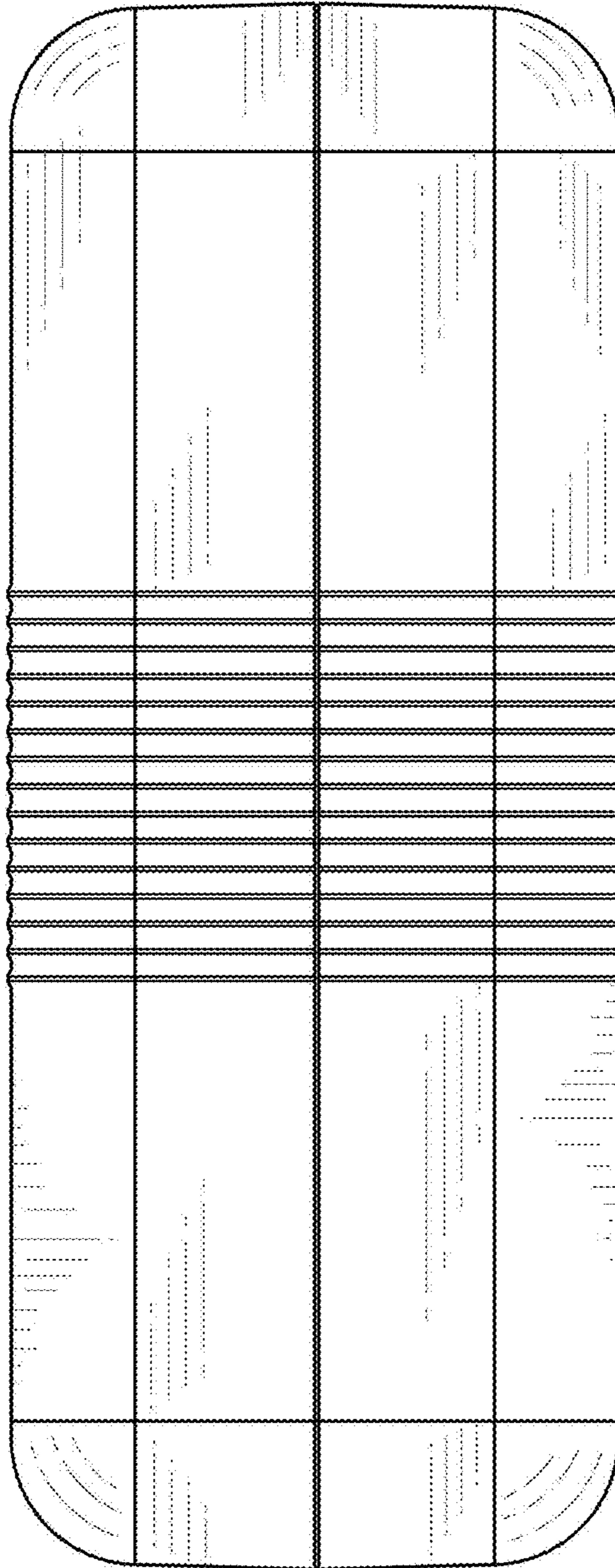


FIG.5

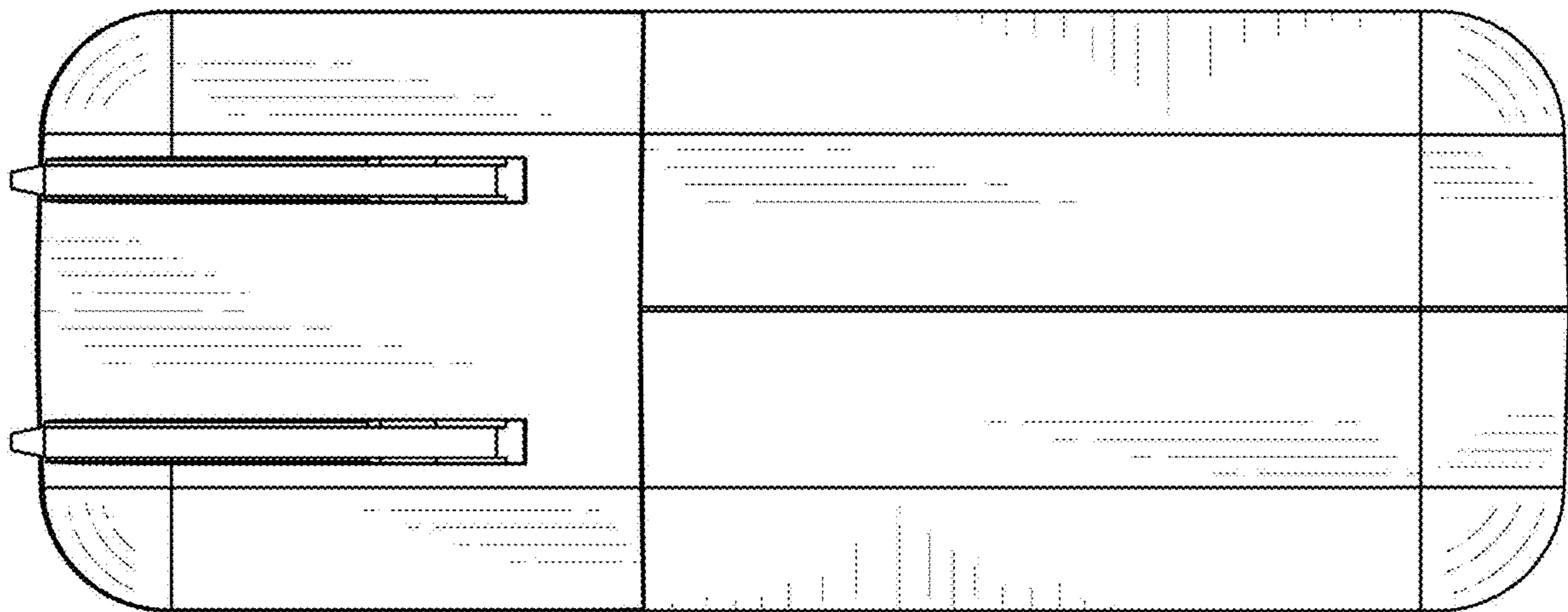


FIG.6

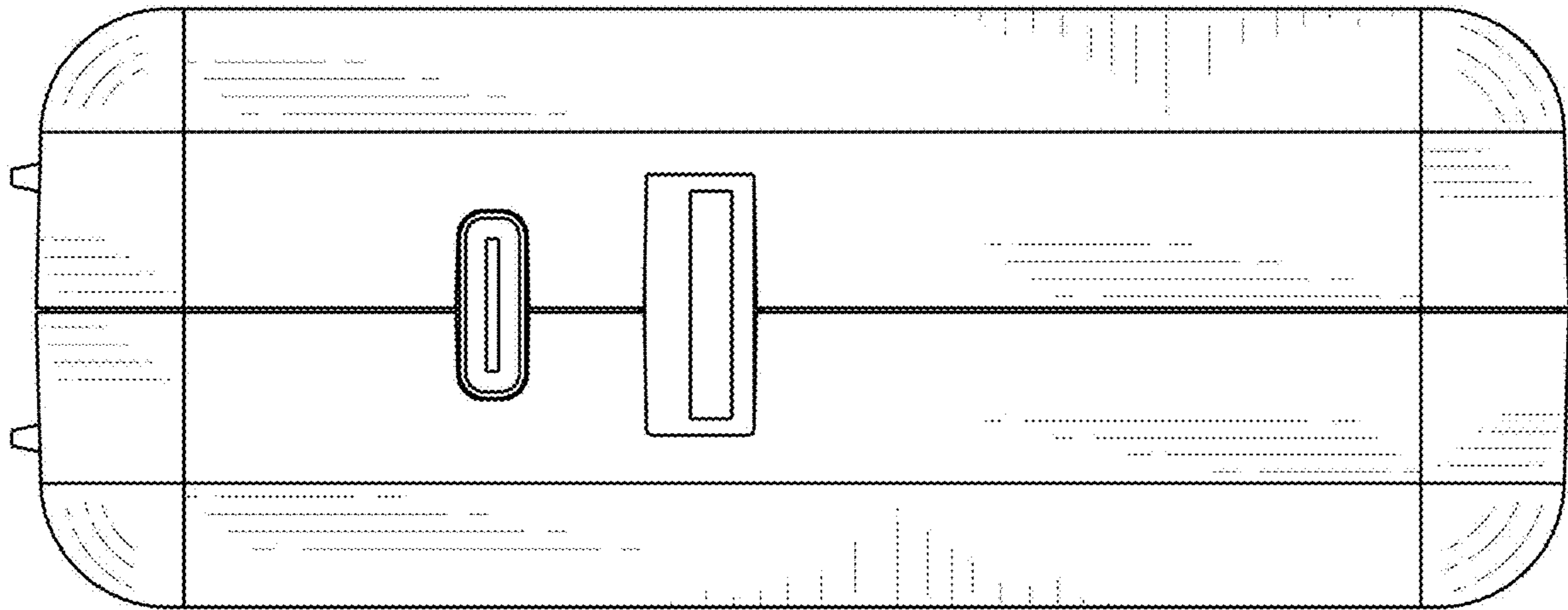


FIG.7

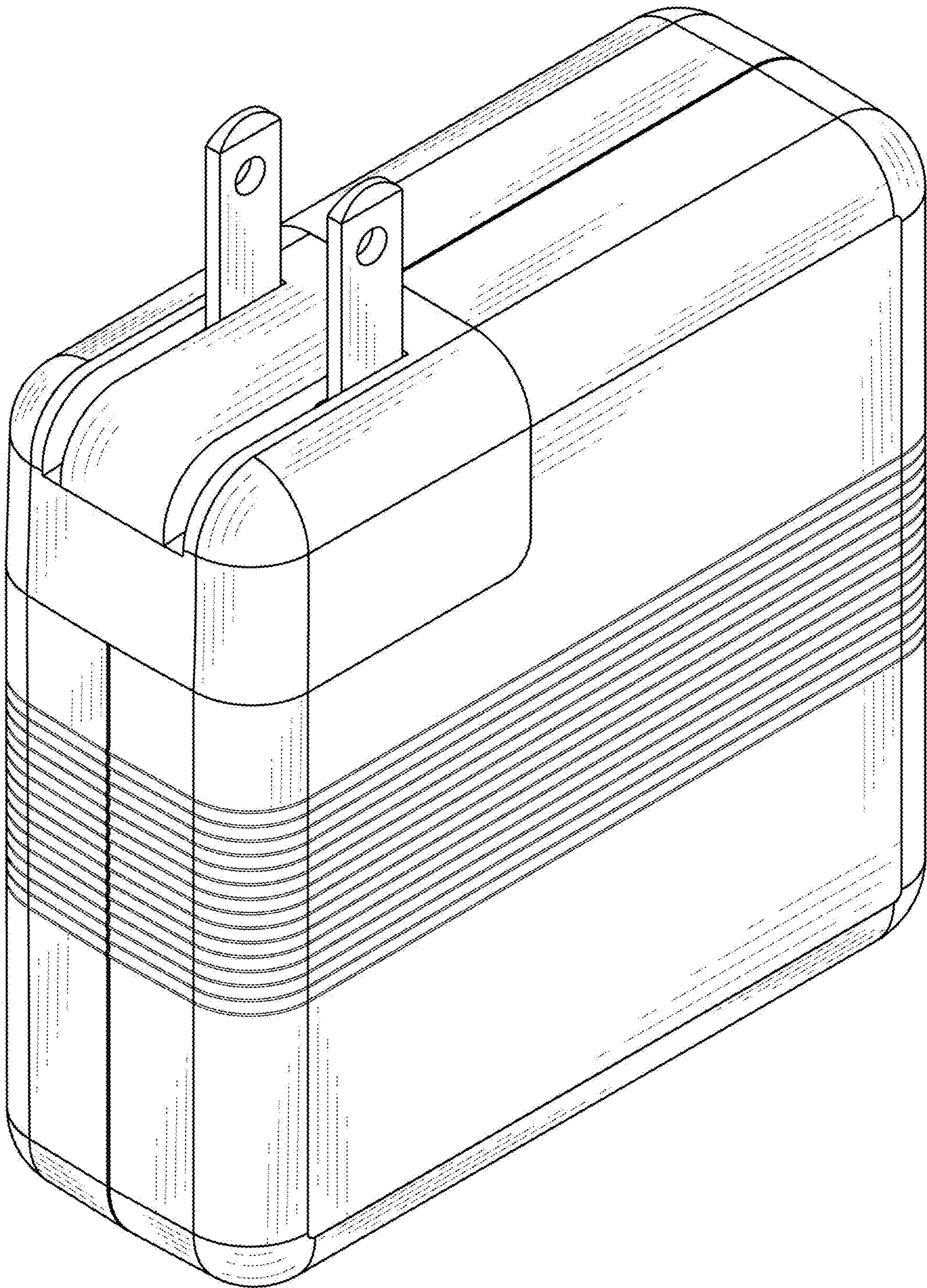


FIG. 8

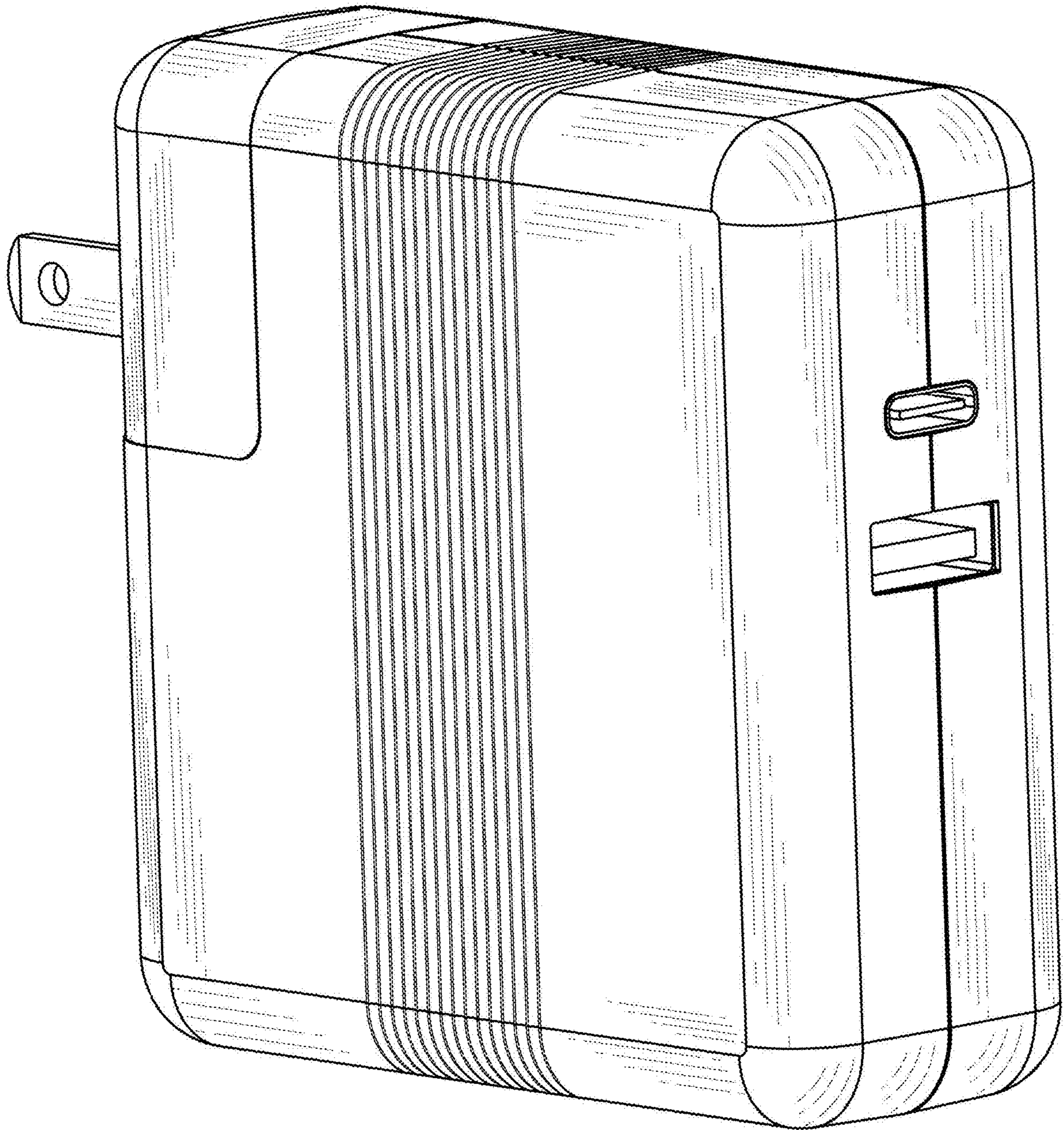


FIG. 9

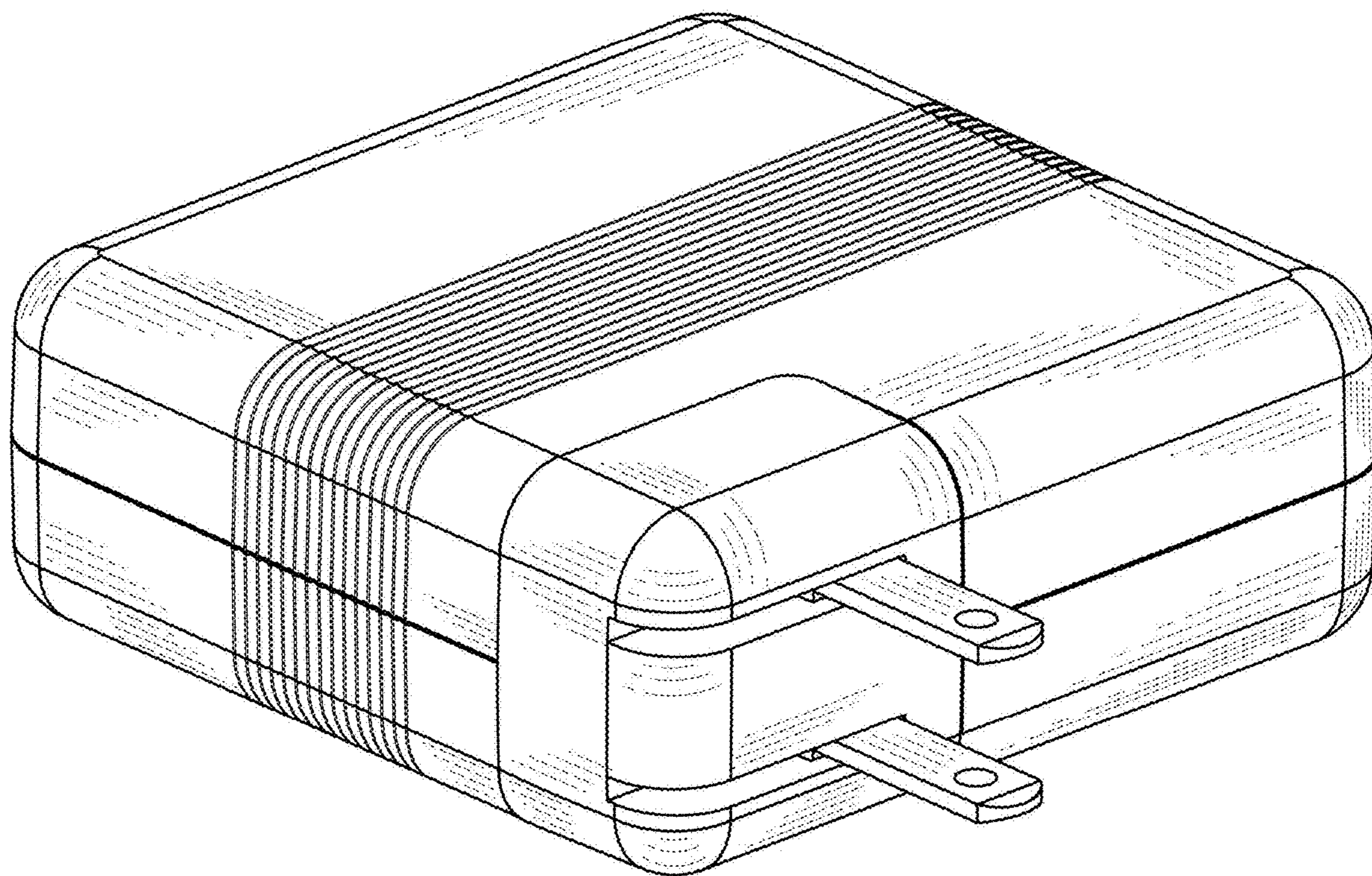


FIG. 10