



US00D896170S

(12) **United States Design Patent** (10) **Patent No.:** **US D896,170 S**  
**Xiao** (45) **Date of Patent:** **\*\* Sep. 15, 2020**

(54) **COMBINED EMERGENCY CHARGER AND BASE**

(71) Applicant: **Shenzhen Youmate Technology Co., Ltd.**, Shenzhen (CN)

(72) Inventor: **Chengsong Xiao**, Shenzhen (CN)

(\*\*) Term: **15 Years**

(21) Appl. No.: **29/644,724**

(22) Filed: **Apr. 20, 2018**

(51) **LOC (12) Cl.** ..... **13-02**

(52) **U.S. Cl.**  
USPC ..... **D13/108**

(58) **Field of Classification Search**  
USPC ..... D13/107-110, 118-119, 184; D14/251, D14/253, 432, 434

CPC ..... Y02E 60/12; Y02T 90/14; Y02T 90/122; Y02T 90/128; Y02T 90/163; H02J 7/025; H02J 7/0042; H02J 7/0044; H02J 7/0045; H02J 7/0013; H02J 7/0003; H01F 38/14; H01R 13/6675; H01M 2/1022; H01M 2/1055; H01M 10/44; H01M 10/46; H01M 10/425; B60L 11/182

See application file for complete search history.

(56) **References Cited**

**U.S. PATENT DOCUMENTS**

7,888,913 B1 \* 2/2011 Marty ..... H02J 7/0069  
320/132  
D710,797 S \* 8/2014 Awiszus ..... D13/107

D722,958 S \* 2/2015 Kotaniemi ..... D13/108  
D736,703 S \* 8/2015 Kotaniemi ..... D13/108  
D761,729 S \* 7/2016 Leong ..... D13/108  
D778,829 S \* 2/2017 Marmus ..... D13/108  
9,917,455 B1 \* 3/2018 Shipman ..... H02J 7/0045  
D823,796 S \* 7/2018 Zhang ..... D13/108  
D845,234 S \* 4/2019 Gao ..... D13/108  
D850,369 S \* 6/2019 Wang ..... D13/108  
D860,132 S \* 9/2019 Fu ..... D13/108  
D870,657 S \* 12/2019 Liang ..... D13/108

\* cited by examiner

*Primary Examiner* — Nathaniel D. Buckner

(74) *Attorney, Agent, or Firm* — Erson IP (Nelson IP)

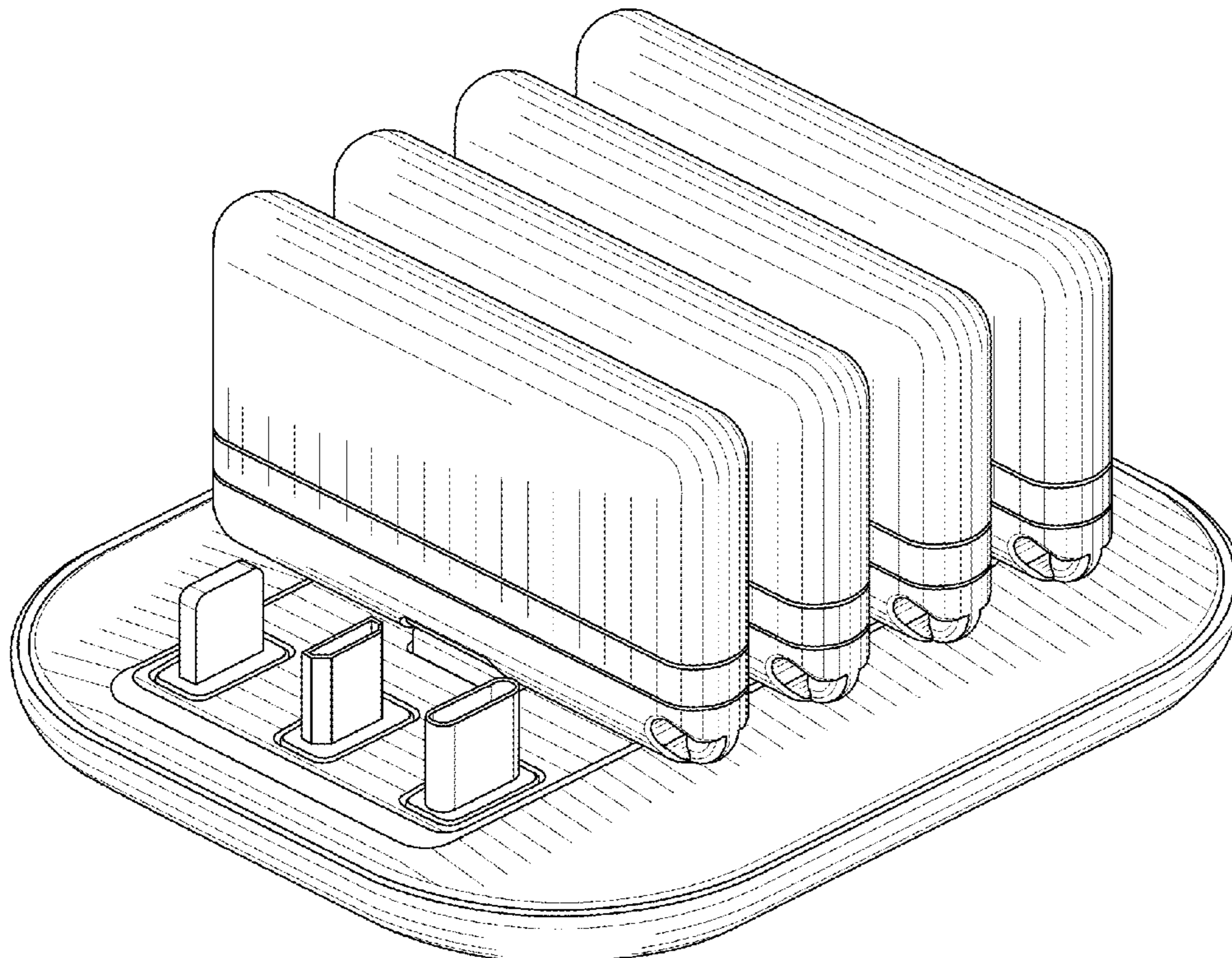
(57) **CLAIM**

The ornamental design for a combined emergency charger and base, as shown and described.

**DESCRIPTION**

FIG. 1 is a perspective view of a combined emergency charger and base showing my new design; FIG. 2 is a front view thereof; FIG. 3 is a back view thereof; FIG. 4 is a left side view thereof; FIG. 5 is a right side view thereof; FIG. 6 is a top plan view thereof; and, FIG. 7 is a bottom plan view thereof. The broken lines in the figures depict portions of the combined emergency charger and base which form no part of the claimed design.

**1 Claim, 7 Drawing Sheets**



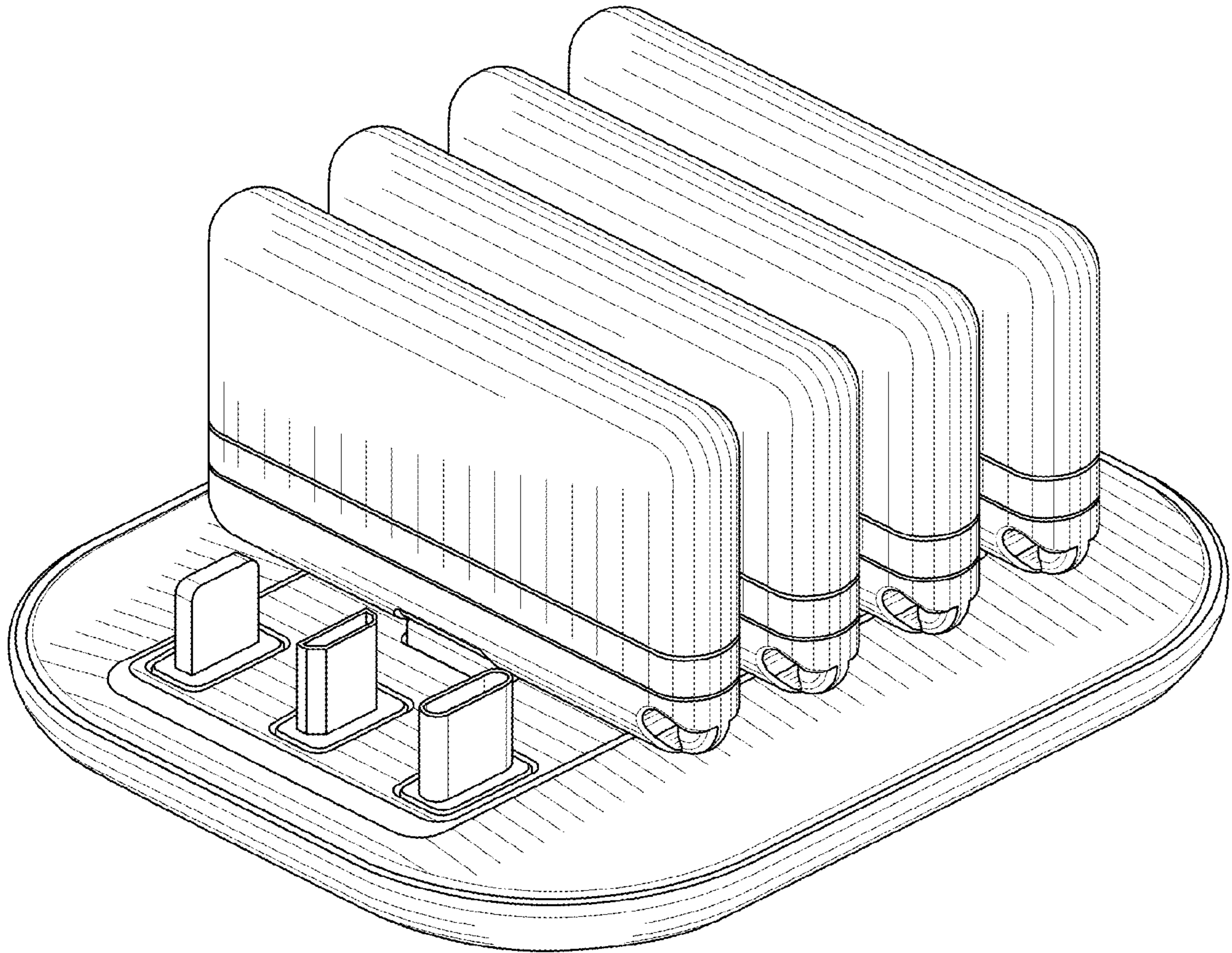


FIG. 1

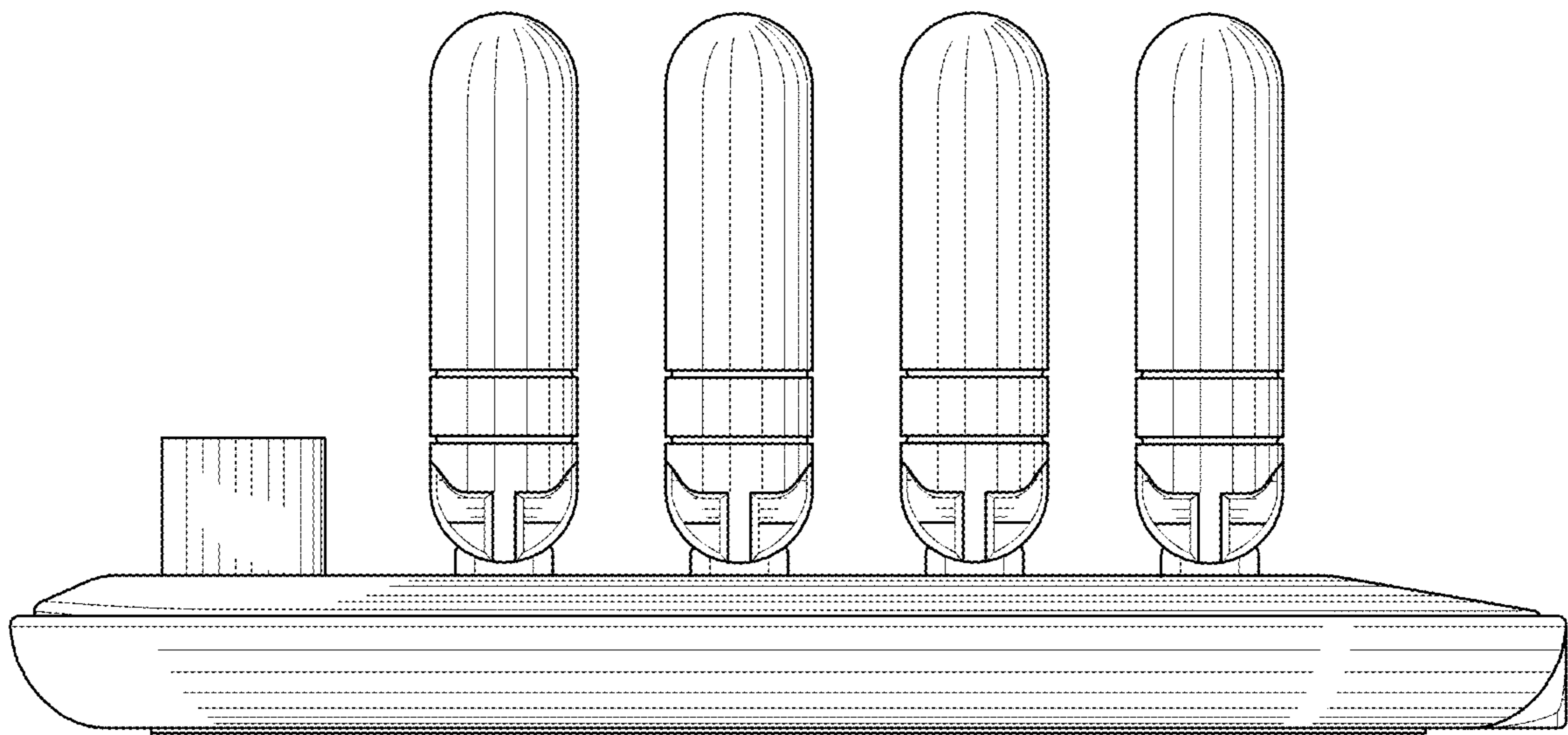


FIG. 2

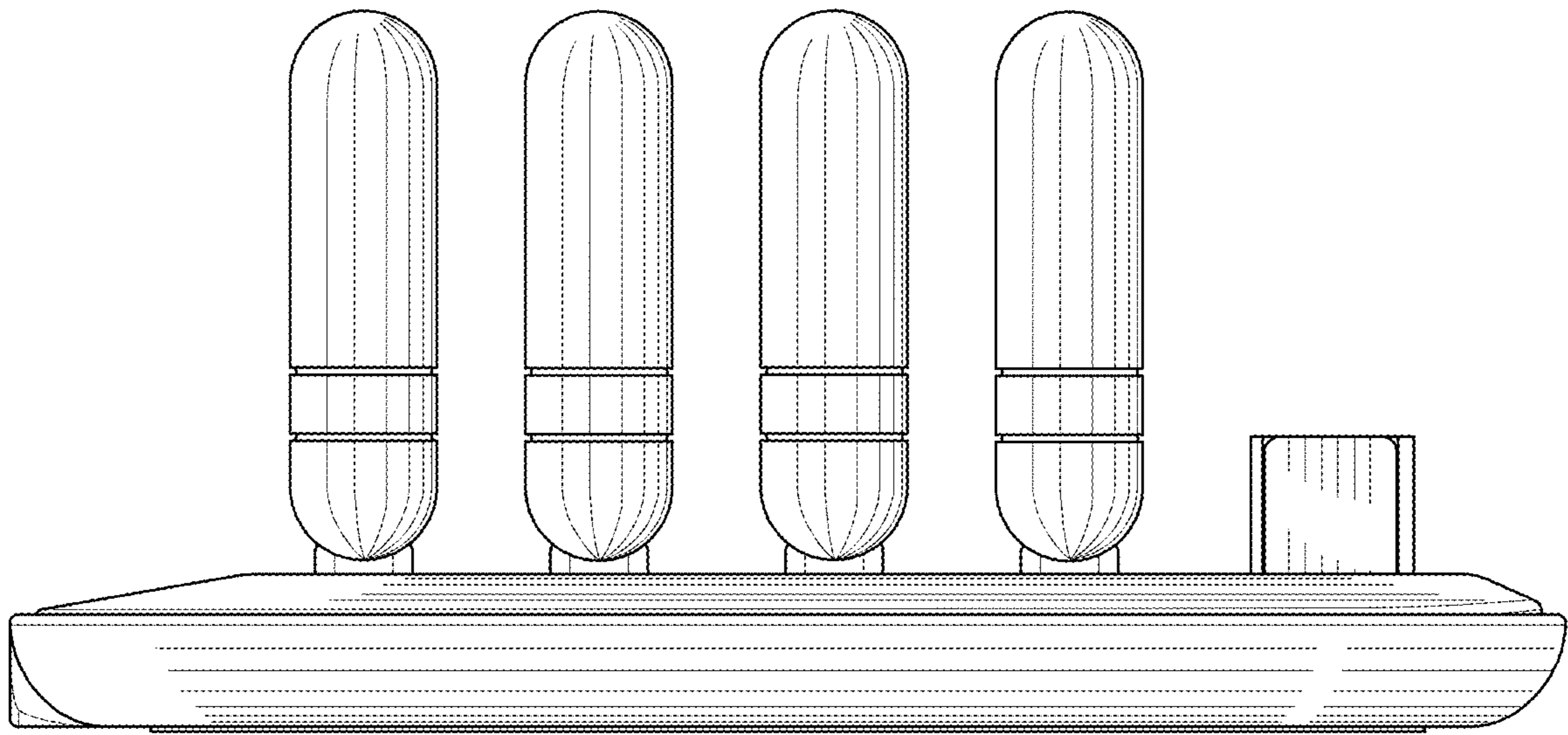


FIG. 3

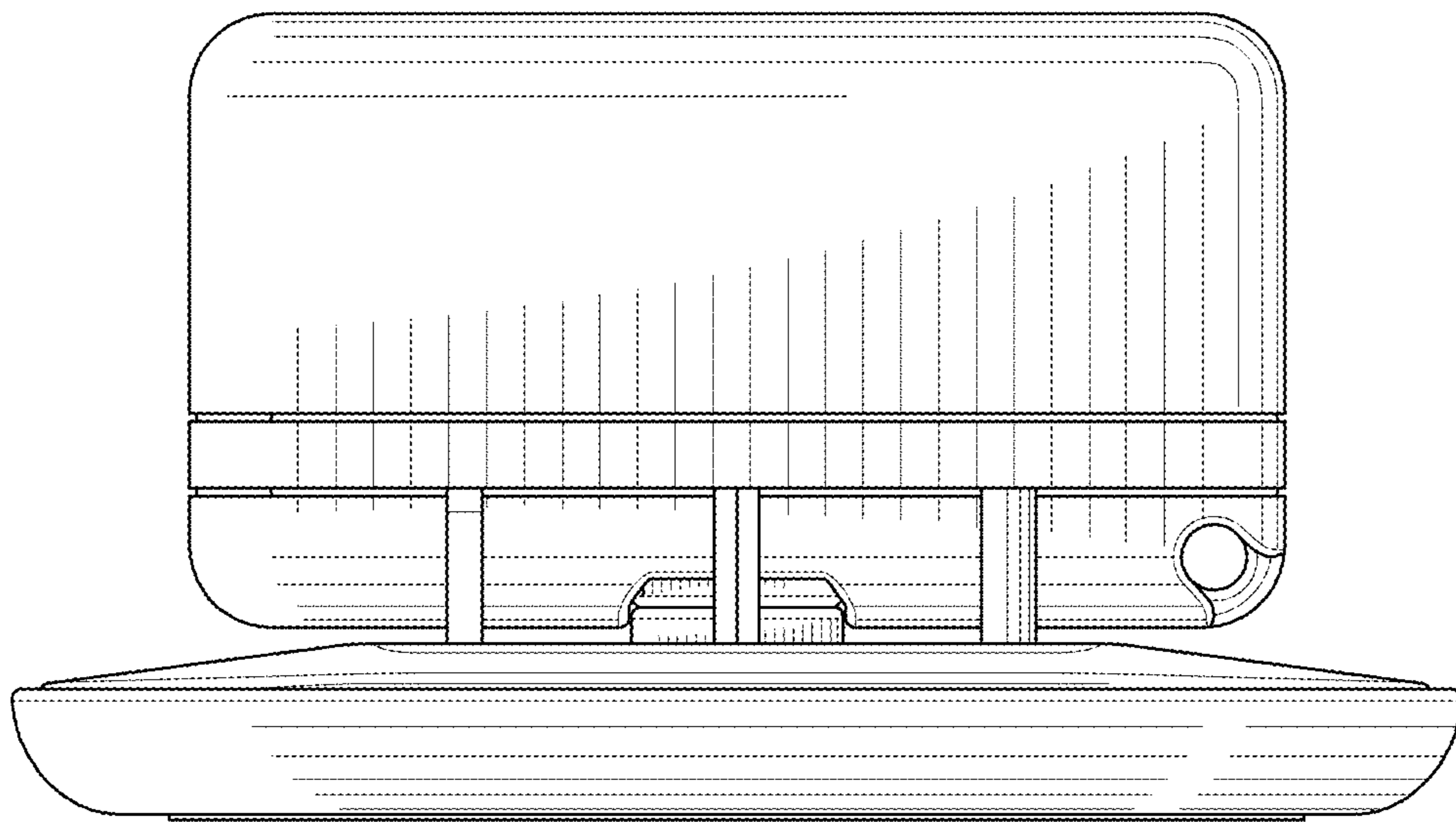


FIG. 4

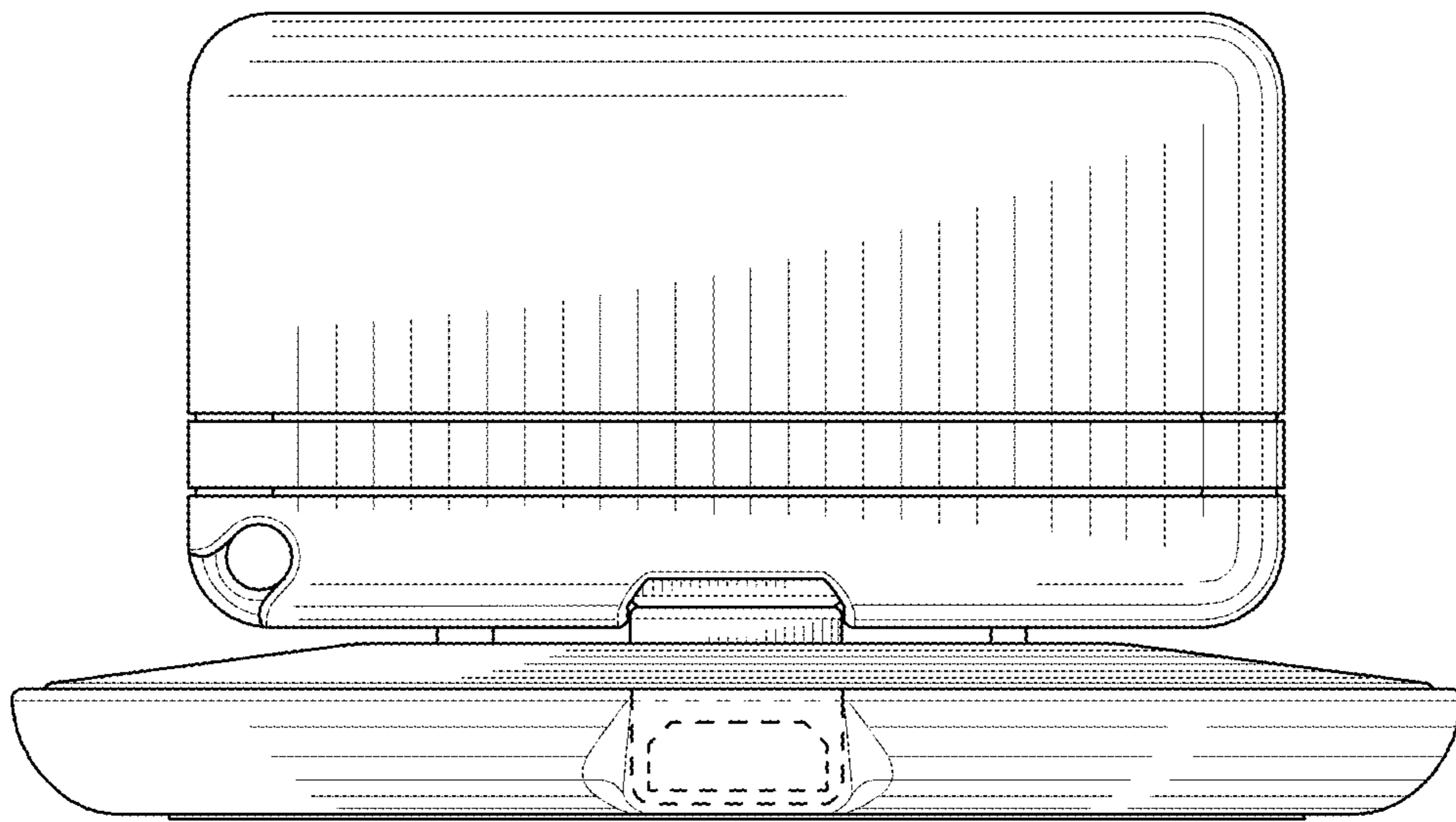


FIG. 5

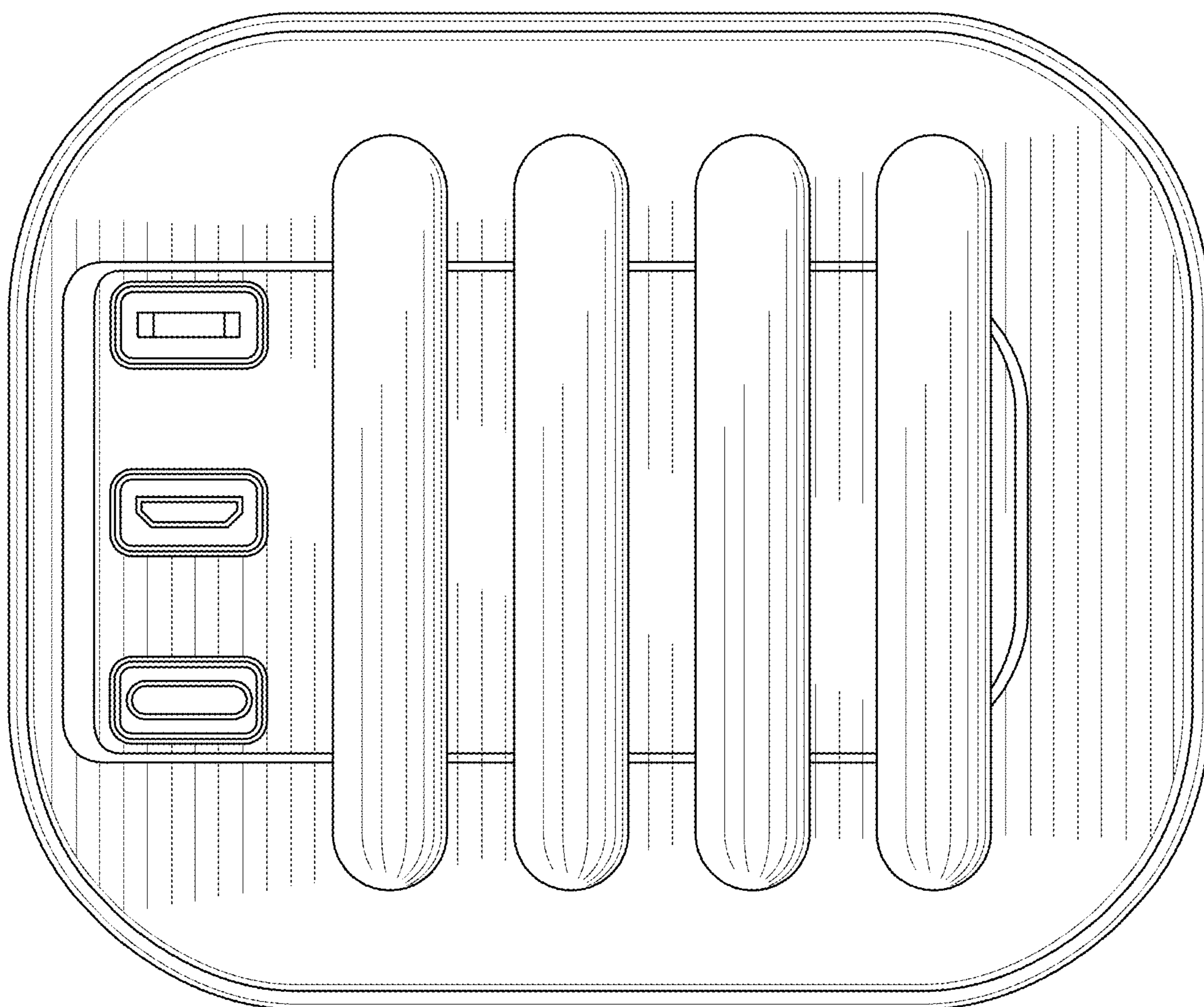


FIG. 6

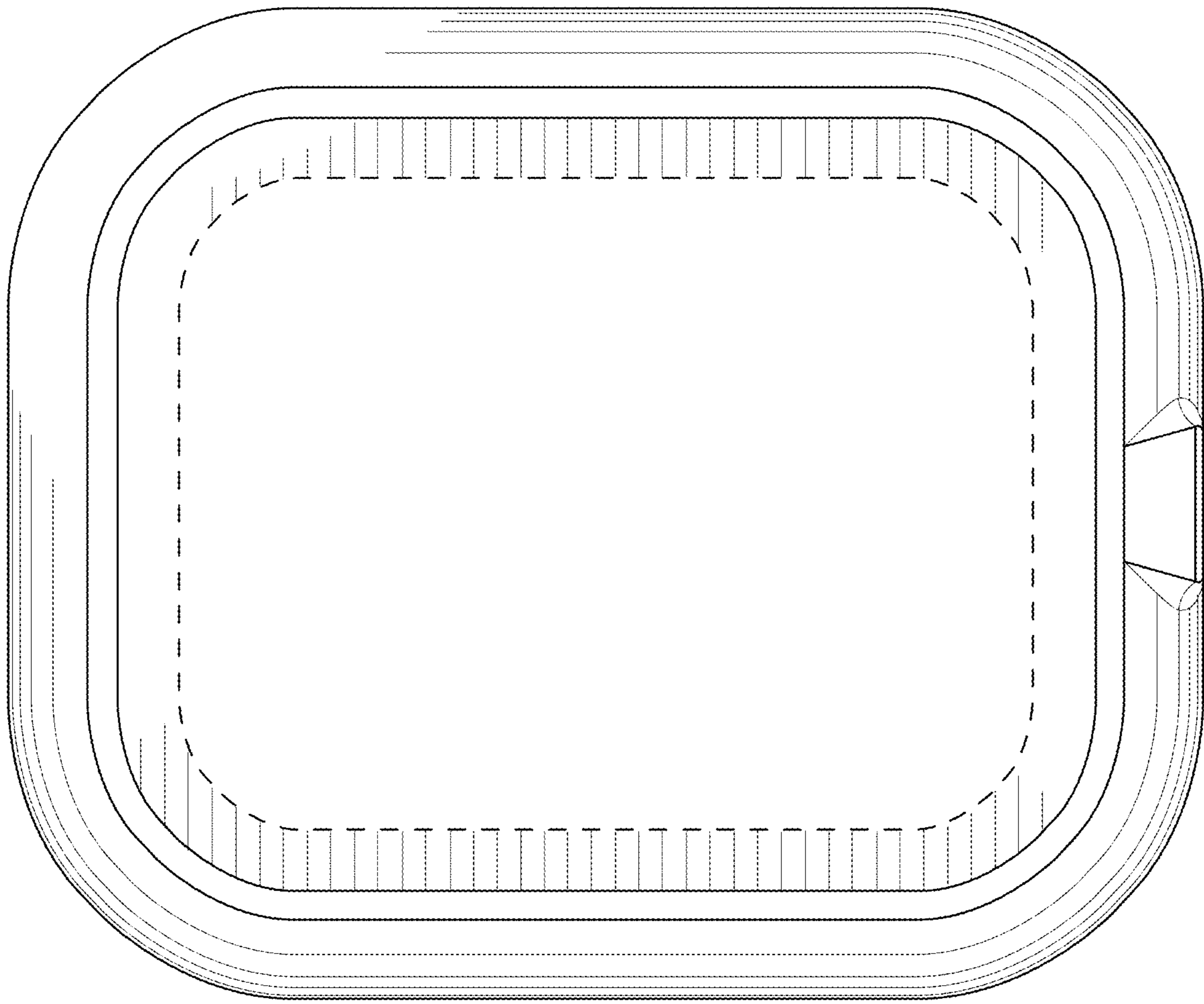


FIG. 7