



US00D896169S

(12) **United States Design Patent** (10) **Patent No.:** **US D896,169 S**  
**Toth** (45) **Date of Patent:** **\*\* Sep. 15, 2020**

(54) **SMARTWATCH CHARGING STAND**

(71) Applicant: **Verizon Patent and Licensing Inc.**,  
Arlington, VA (US)

(72) Inventor: **Andrew Nicholas Toth**, Telford, PA  
(US)

(73) Assignee: **Verizon and Patent Licensing, Inc.**,  
Basking Ridge, NJ (US)

(\*\*) Term: **15 Years**

(21) Appl. No.: **29/592,195**

(22) Filed: **Jan. 27, 2017**

(51) **LOC (12) Cl.** ..... **13-02**

(52) **U.S. Cl.**  
USPC ..... **D13/108**

(58) **Field of Classification Search**  
USPC ..... D13/103, 107, 108, 110, 133,  
D13/137.1-137.4, 138.1-138.2,  
D13/139.1-139.8, 146, 147, 151-156,  
D13/173, 177, 199; D14/432, 433, 435.1,  
D14/250; D23/231, 232; D15/7-9;  
D8/350, 353-356

CPC ..... H01R 11/00; H01R 9/00; H01R 13/00;  
H01R 13/04; H01R 13/10; H01R  
13/6666; H01R 13/6675; H01R 25/00;  
H01R 25/006; H01H 2207/00; H01H  
2207/022; Y02E 60/12; Y02E 60/122;  
Y02E 60/124; Y02E 60/50; H01M 2/02;  
H01M 2/022; H01M 2/0202; H01M  
2/0207; H01M 2/0212; H01M 2/1061;  
H01M 2/1022; H01M 2/1055; H01M  
2/1066; H01M 2/105; H01M 2/204; H02J  
7/00; H02J 7/0003; H02J 7/0011; H02J  
7/0013; H02J 7/0054; H02J 7/0055; H02J  
7/0057; Y02T 10/7005; Y02T 10/705;  
Y02T 10/7088; B60L 11/1809; B60L  
11/1861

See application file for complete search history.

(56) **References Cited**

U.S. PATENT DOCUMENTS

|              |         |          |       |         |
|--------------|---------|----------|-------|---------|
| D620,882 S * | 8/2010  | Houghton | ..... | D13/108 |
| D621,347 S * | 8/2010  | Aulwes   | ..... | D13/108 |
| D788,035 S * | 5/2017  | Bang     | ..... | D13/108 |
| D835,611 S * | 12/2018 | Yun      | ..... | D14/224 |
| D841,576 S * | 2/2019  | Nauroy   | ..... | D13/108 |
| D847,739 S * | 5/2019  | Yun      | ..... | D13/108 |
| D861,600 S * | 10/2019 | Choi     | ..... | D13/108 |

(Continued)

*Primary Examiner* — Rosemary K Tarcza

*Assistant Examiner* — Christy M Nemeth

(57) **CLAIM**

The ornamental design for a smartwatch charging stand, as shown and described.

**DESCRIPTION**

FIG. 1 is a front and top perspective view of a smartwatch charging stand;

FIG. 2 is a rear and bottom perspective view of the smartwatch charging stand;

FIG. 3 is a front view of the smartwatch charging stand;

FIG. 4 is a rear view of the smartwatch charging stand;

FIG. 5 is a left side view of the smartwatch charging stand;

FIG. 6 is a right side view of the smartwatch charging stand;

FIG. 7 is a top view of the smartwatch charging stand;

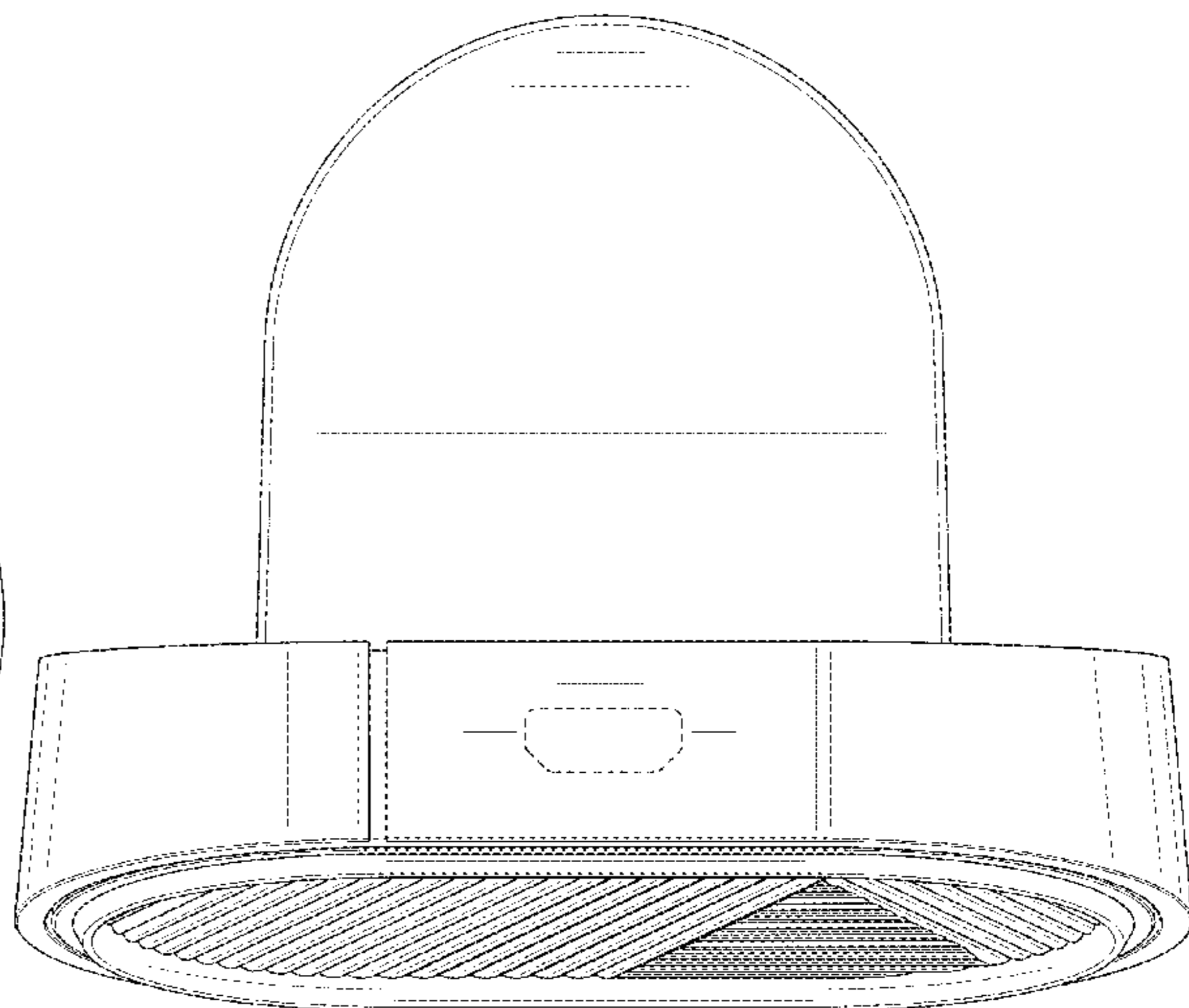
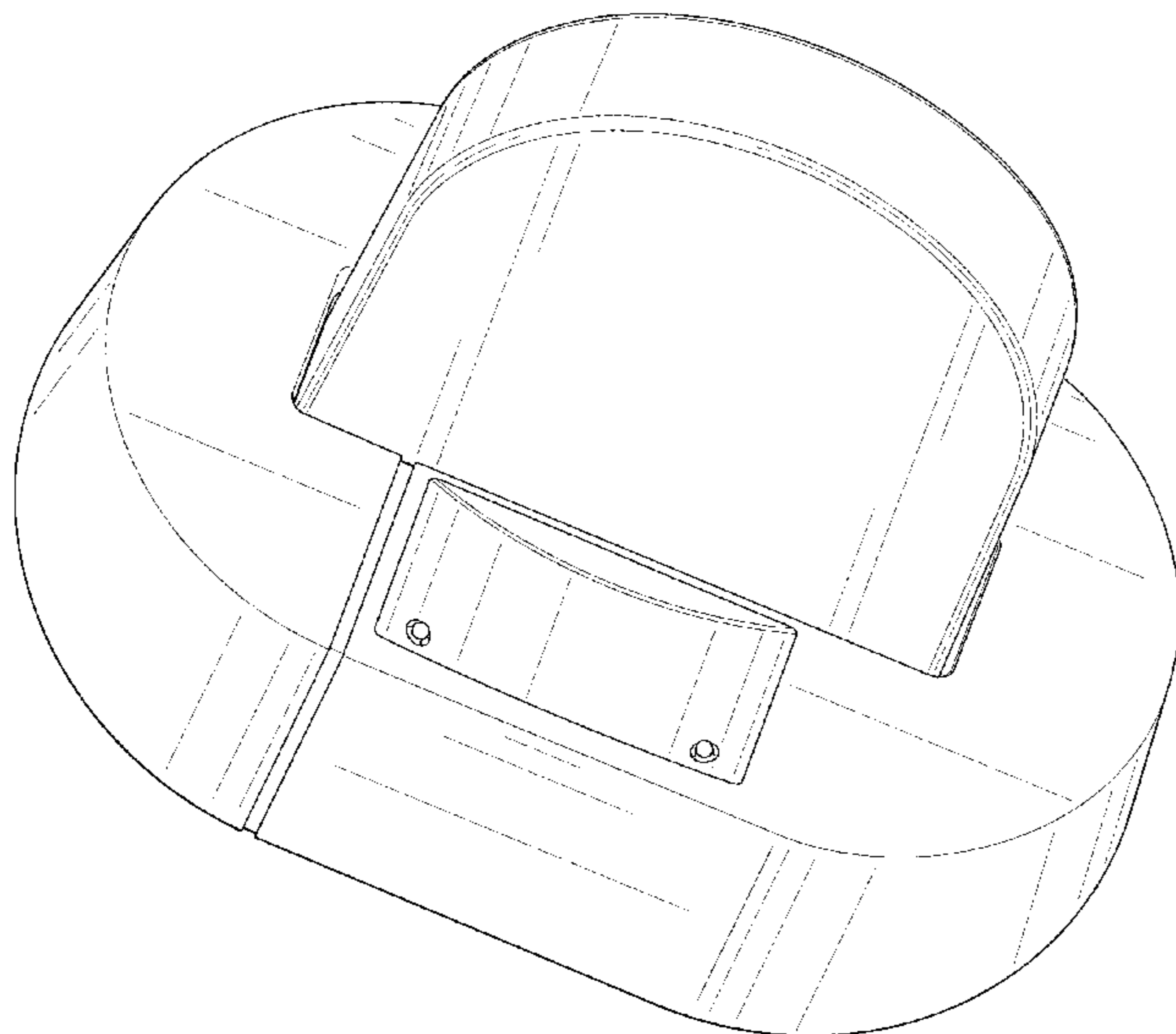
FIG. 8 is a bottom view of the smartwatch charging stand;

FIG. 9 is a cross-sectional view of the smartwatch charging stand taken along line 9-9 of FIG. 8; and,

FIG. 10 is a cross-sectional view of the smartwatch charging stand taken along line 10-10 of FIG. 8.

The broken lines that are shown in the drawings illustrate portions of the smartwatch charging stand that do not form part of the claimed design.

**1 Claim, 10 Drawing Sheets**



(56)

**References Cited**

U.S. PATENT DOCUMENTS

D871,332 S \* 12/2019 Liao ..... D13/108  
2019/0334358 A1 \* 10/2019 Fountain ..... H01M 10/488

\* cited by examiner

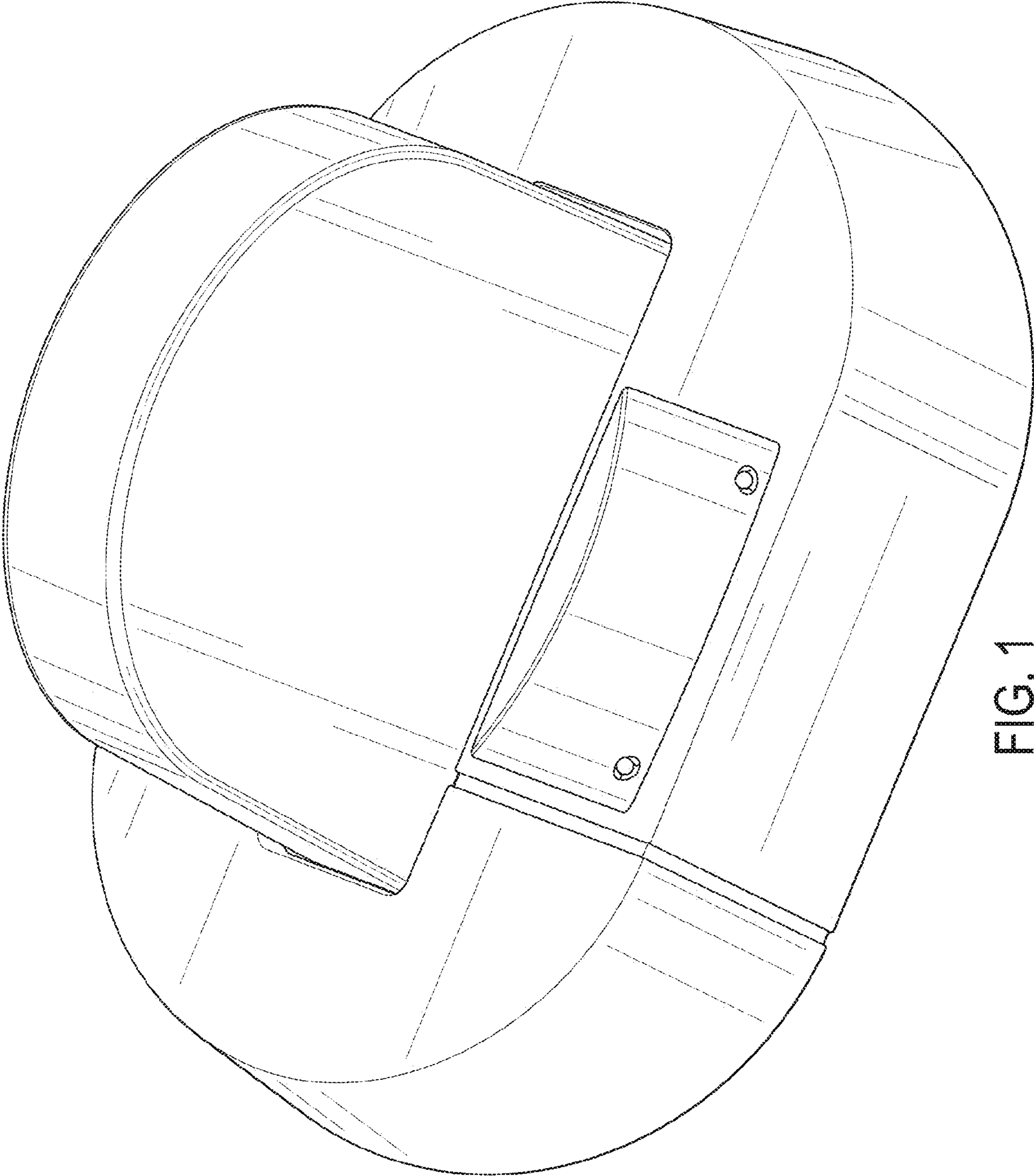


FIG. 1

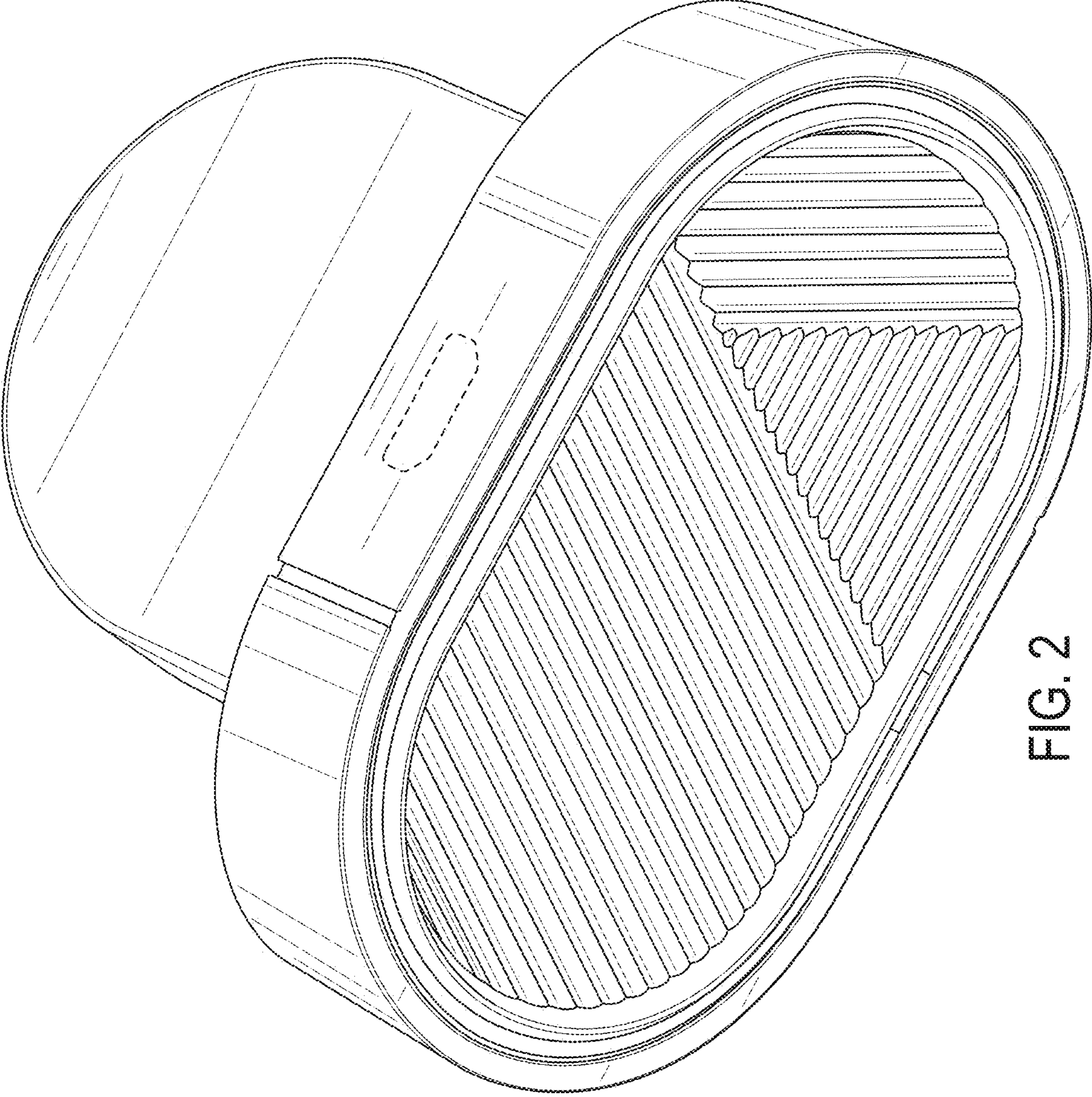


FIG. 2

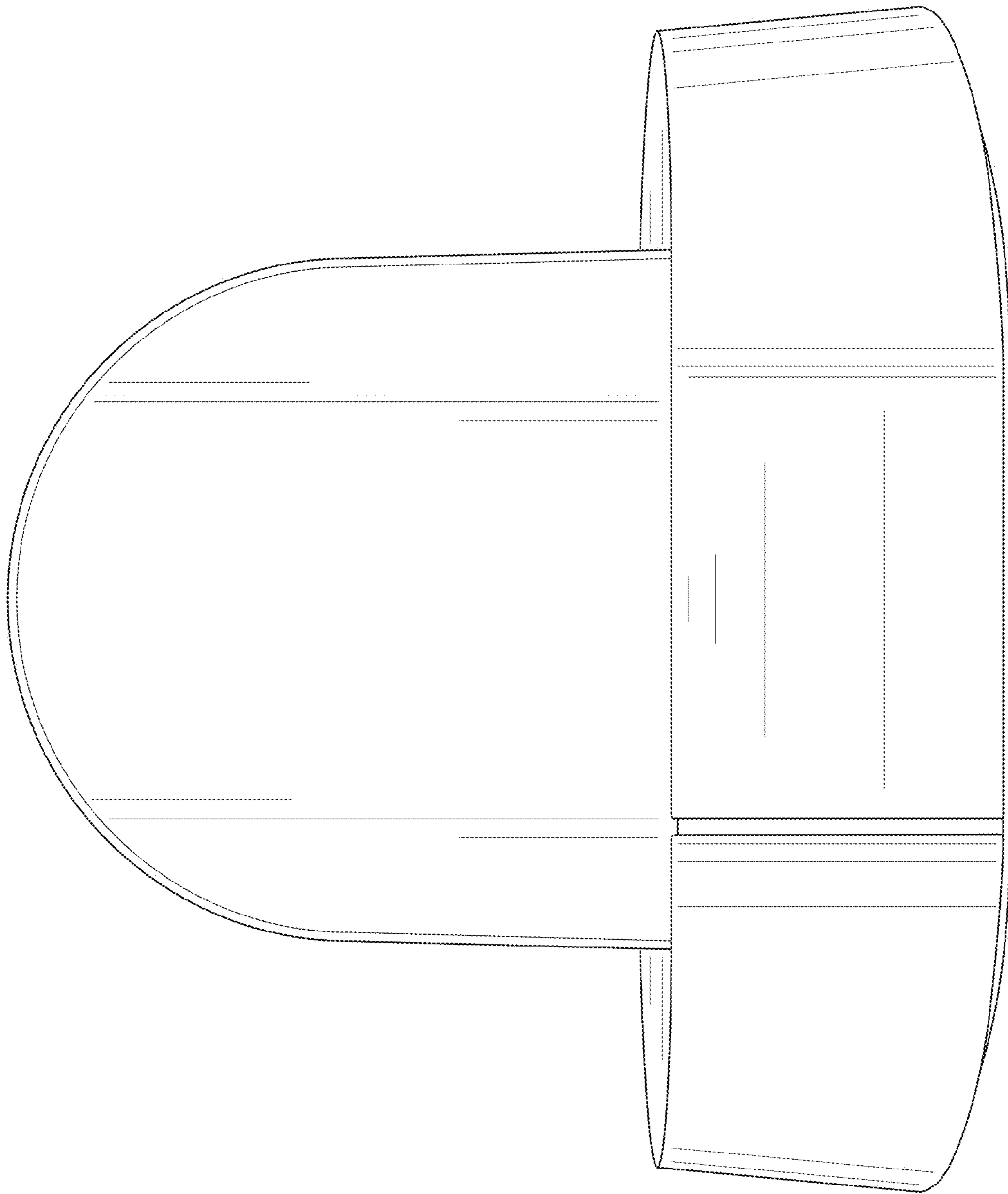


FIG. 3

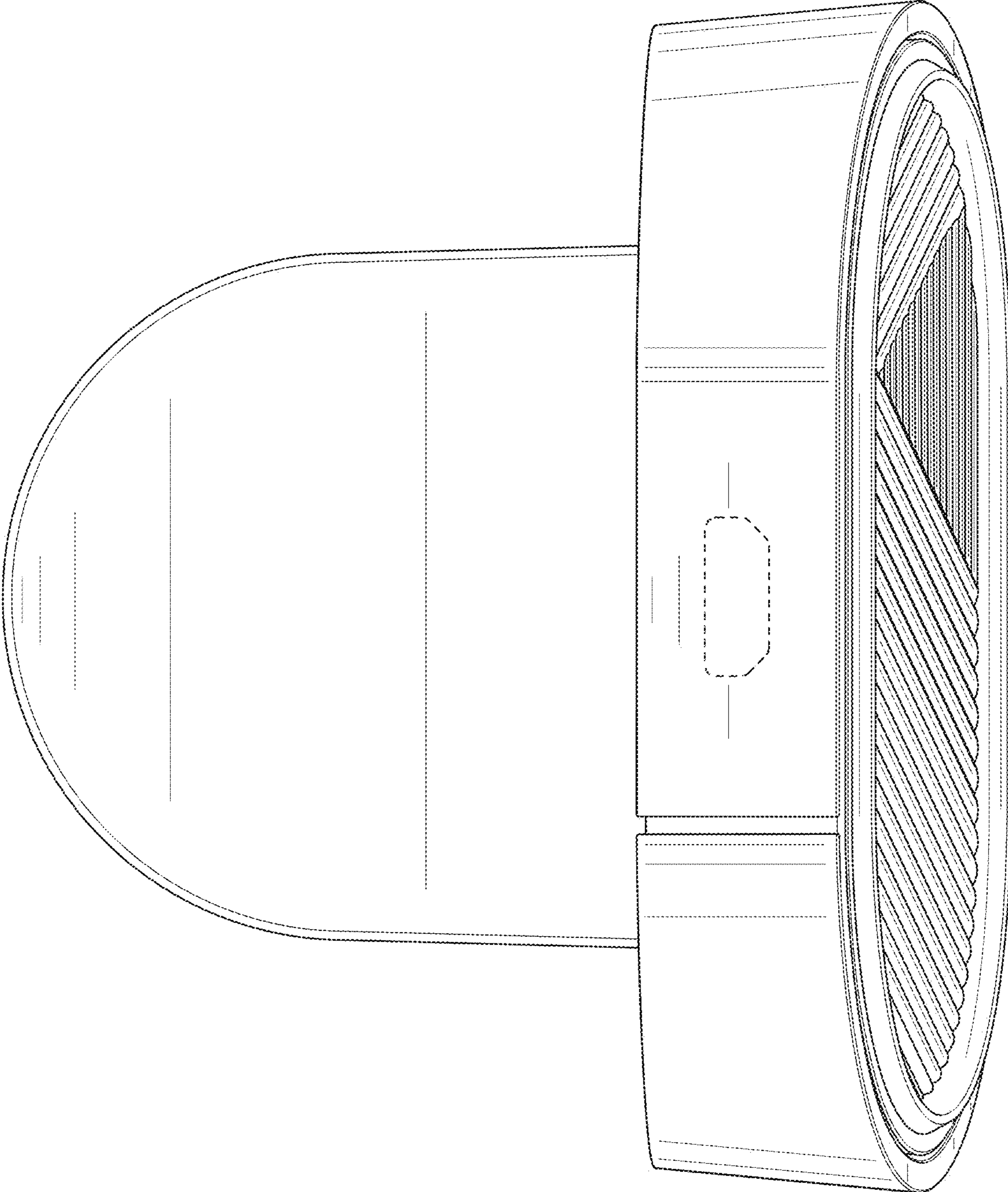


FIG. 4

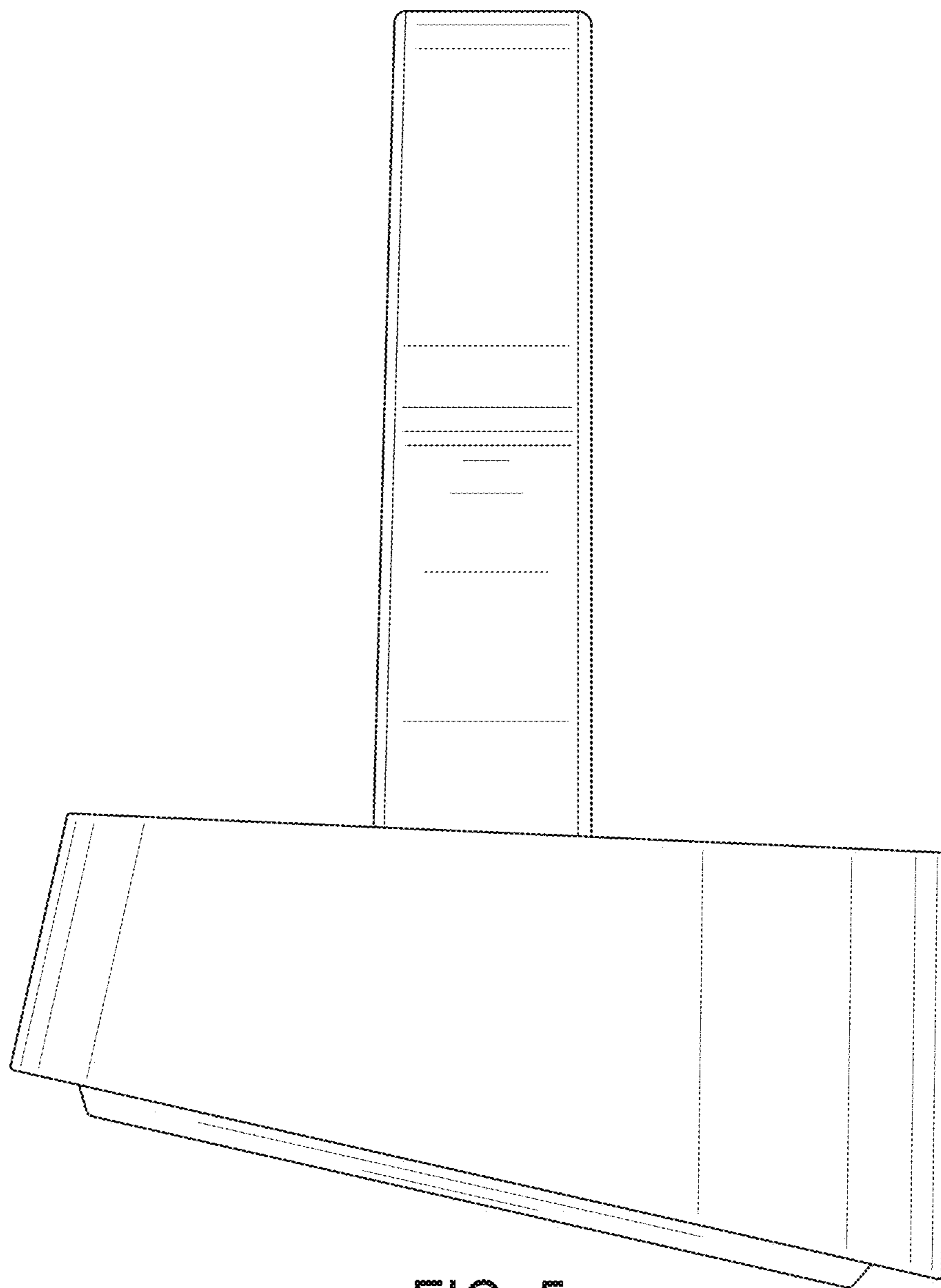


FIG. 5

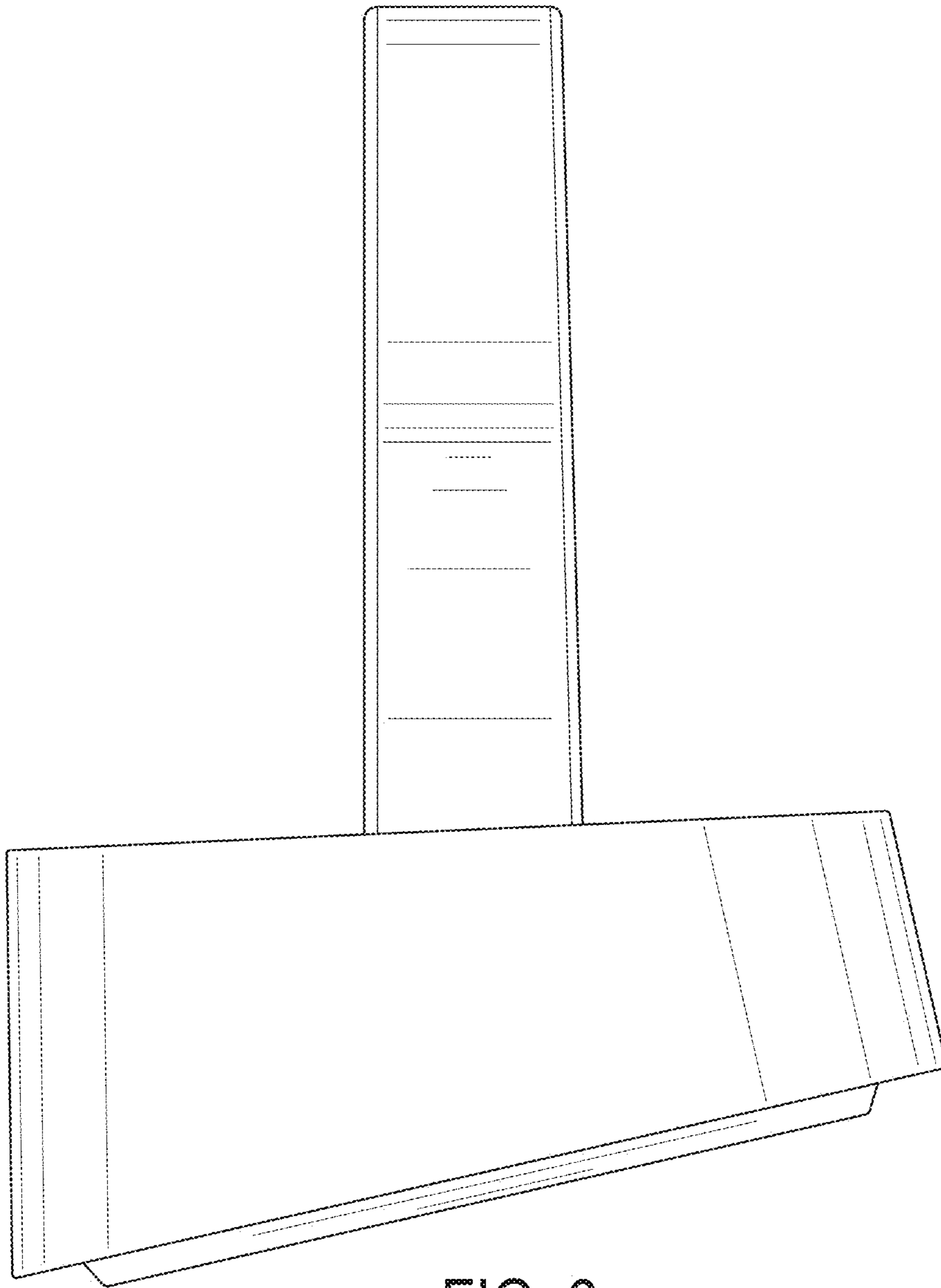


FIG. 6



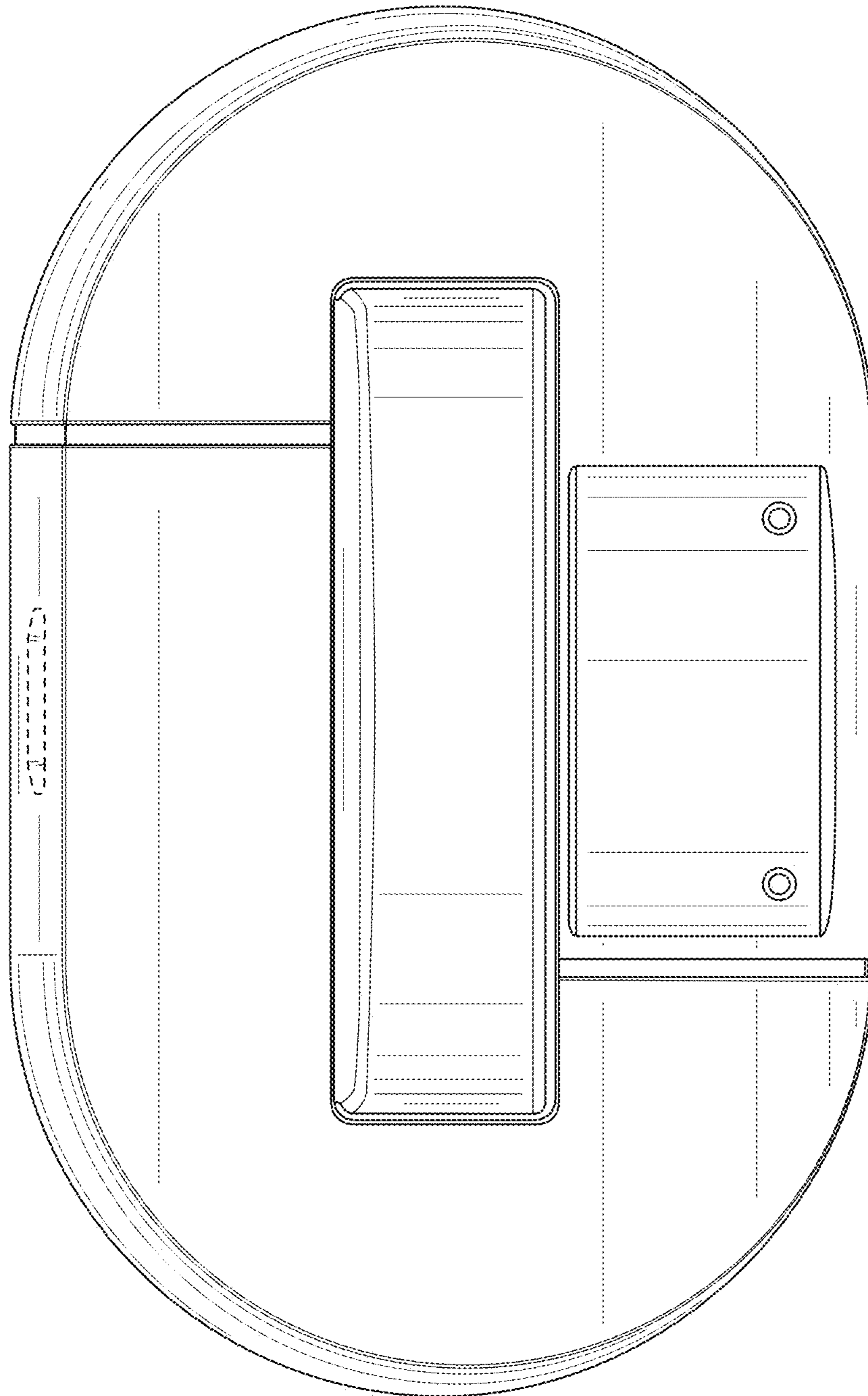


FIG. 7

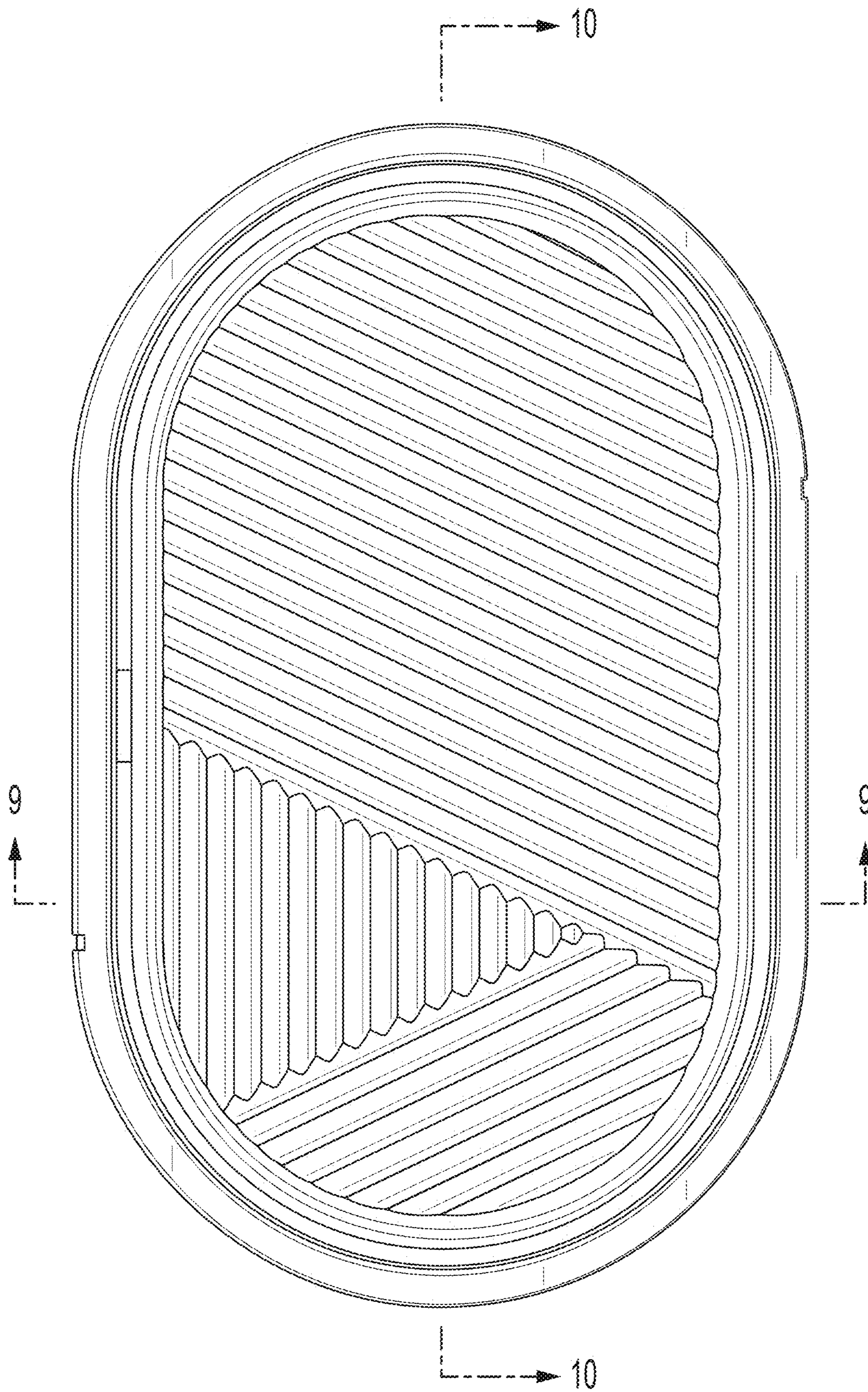


FIG. 8

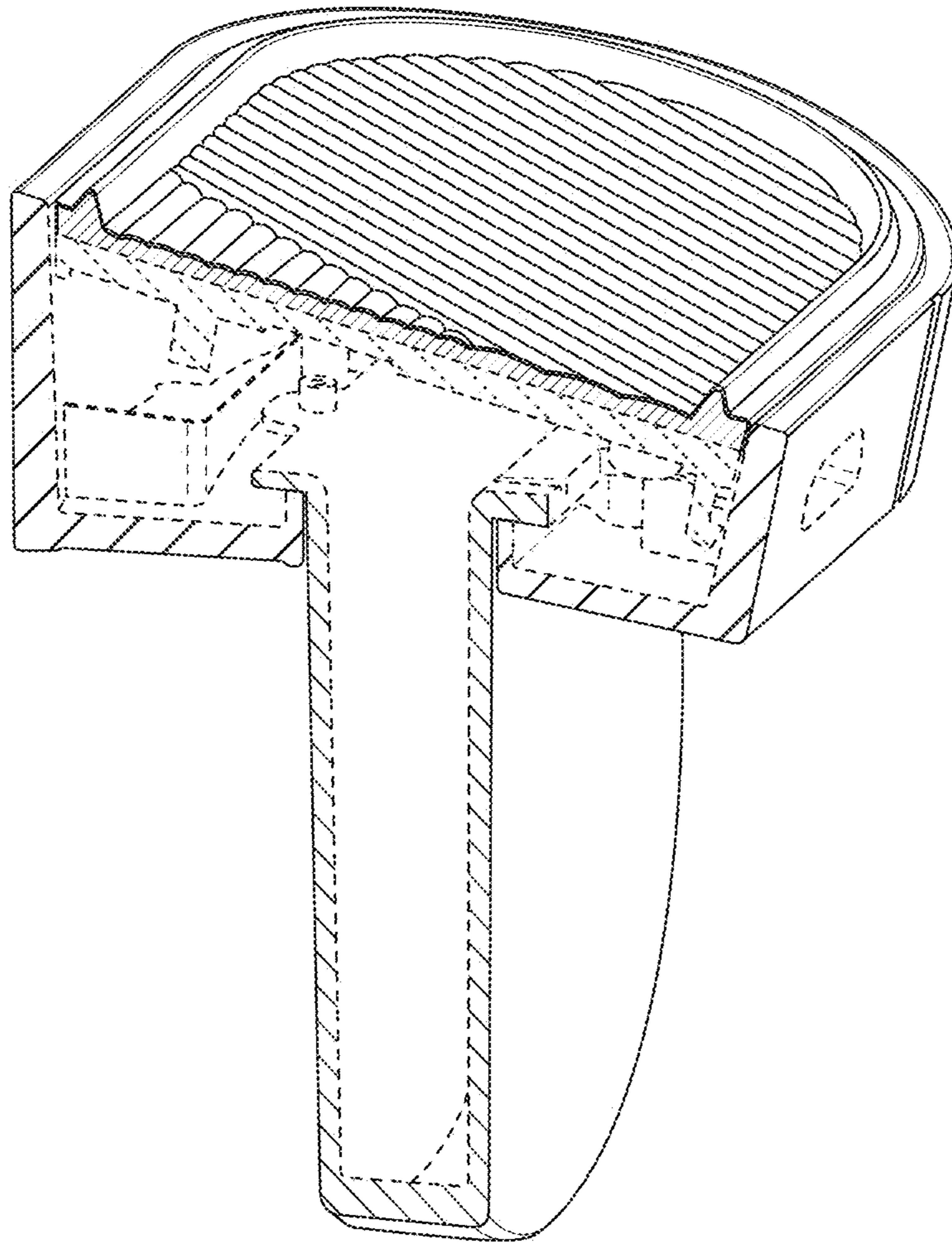


FIG. 9

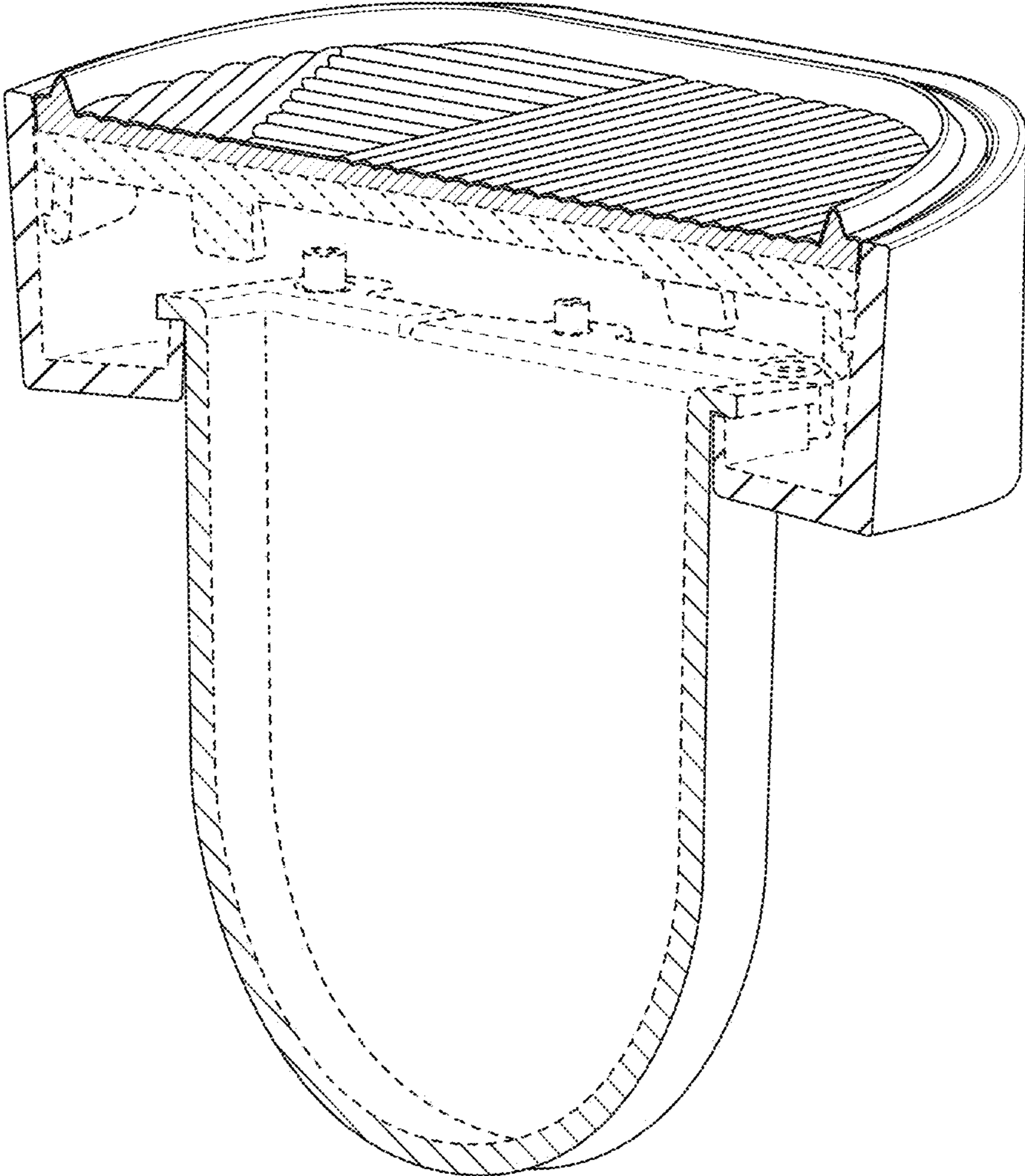


FIG. 10