



US00D896168S

(12) **United States Design Patent** (10) **Patent No.:** **US D896,168 S**  
**McKibben et al.** (45) **Date of Patent:** **\*\* Sep. 15, 2020**

(54) **SOLAR PANEL SUPPORT**

(71) Applicant: **SUNPOWER CORPORATION**, San Jose, CA (US)

(72) Inventors: **Nicholas McKibben**, Oakland, CA (US); **Sushrut Bapat**, Alameda, CA (US); **Elizabeth Schulte**, Oakland, CA (US); **Gary Rossi**, Pleasant Hill, CA (US); **Jeremy Mansell**, Berkeley, CA (US); **Andrew Wolf**, Burlingame, CA (US); **John Kapla**, Mill Valley, CA (US)

(73) Assignee: **SUNPOWER CORPORATION**, San Jose, CA (US)

(\*\*) Term: **15 Years**

(21) Appl. No.: **29/676,988**

(22) Filed: **Jan. 16, 2019**

**Related U.S. Application Data**

(62) Division of application No. 29/639,281, filed on Mar. 5, 2018, now Pat. No. Des. 850,363.

(51) **LOC (12) Cl.** ..... **13-02**

(52) **U.S. Cl.**  
USPC ..... **D13/102**

(58) **Field of Classification Search**  
USPC ..... D13/102, 101, 118, 119, 184, 199;  
52/173.3; 126/569, 600, 669, 704;  
136/243-265; 359/850, 851, 852;  
385/144, 900  
CPC ..... H01L 31/04; H01L 31/18; H01L 31/026;  
H01L 31/042; H01L 31/048; H01L  
31/052; H01L 31/0216; E04H 12/20;  
F24J 2/38; F24J 2/52; F24J 2/5205; F24J  
2/5232; F24S 25/50; H02S 20/10; Y10T  
29/49826; Y02E 10/47

See application file for complete search history.

(56) **References Cited**

U.S. PATENT DOCUMENTS

4,172,739	A *	10/1979	Tassen	.....	H02S 20/32 136/246
D565,505	S *	4/2008	Shugar	.....	D13/102
D649,930	S *	12/2011	Lindor	.....	D13/102
D663,683	S *	7/2012	Fischer	.....	D13/102
D721,644	S *	1/2015	Shimada	.....	D13/102
2005/0284467	A1 *	12/2005	Patterson	.....	G01S 3/7861 126/580
2014/0209146	A1 *	7/2014	Park	.....	F24S 25/12 136/246
2015/0288324	A1 *	10/2015	Habdank	.....	H02S 20/30 52/64
2018/0062563	A1 *	3/2018	Bapat	.....	H02S 20/32

\* cited by examiner

*Primary Examiner* — Derrick E Holland

(74) *Attorney, Agent, or Firm* — Oblon, McClelland, Maier & Neustadt, L.L.P.

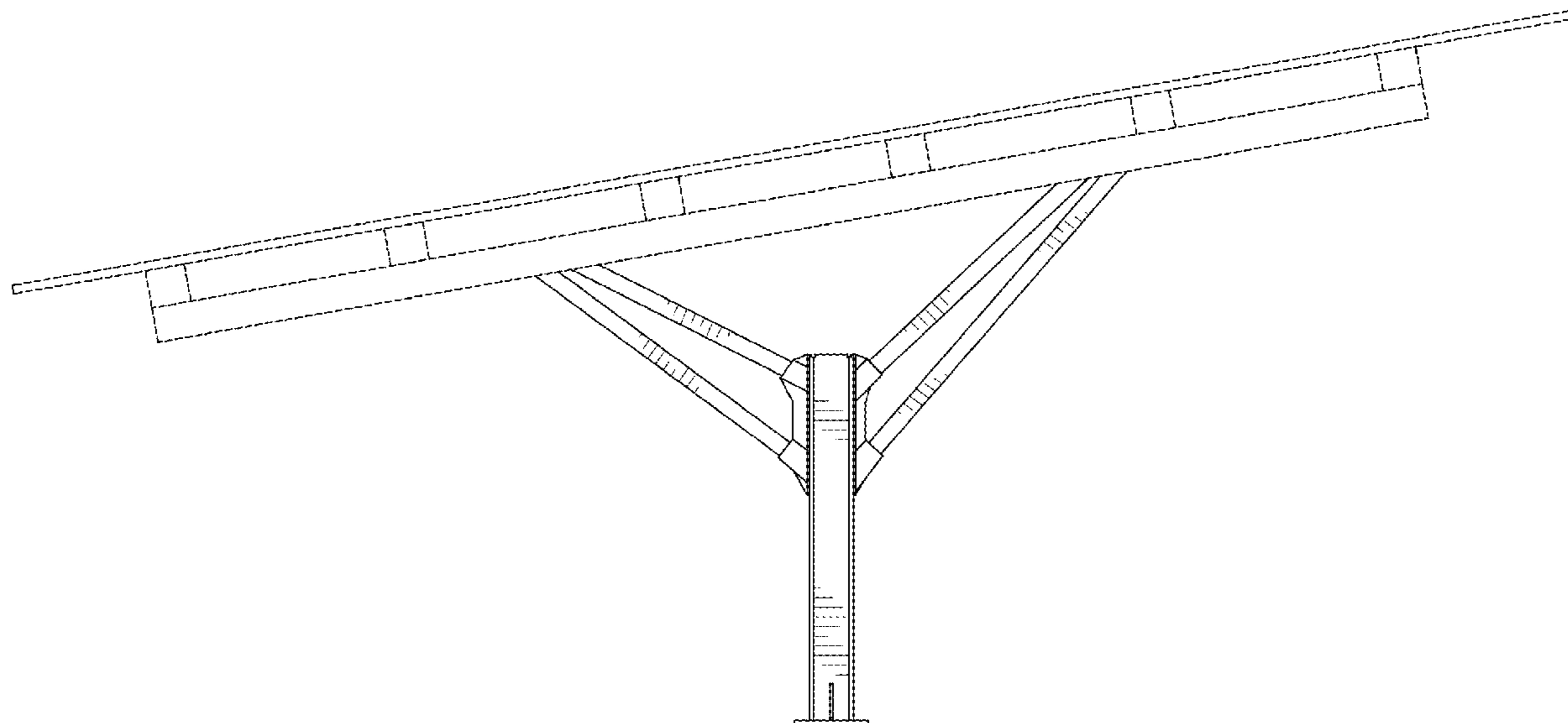
(57) **CLAIM**

The ornamental design for a solar panel support, as shown and described.

**DESCRIPTION**

FIG. 1 is a front elevational view of a solar panel support showing our new design, the rear elevational view being a mirror image of the front elevational view shown; FIG. 2 is a right side elevational view thereof; FIG. 3 is a left side elevational view thereof; FIG. 4 is a bottom plan view thereof; FIG. 5 is a top plan view thereof; FIG. 6 is a front, bottom, and right side perspective view thereof; and, FIG. 7 is an enlarged view from callout circle 7 of FIG. 6. The dot-dash broken lines represent the boundary of the claimed design and form no part of thereof.

**1 Claim, 6 Drawing Sheets**



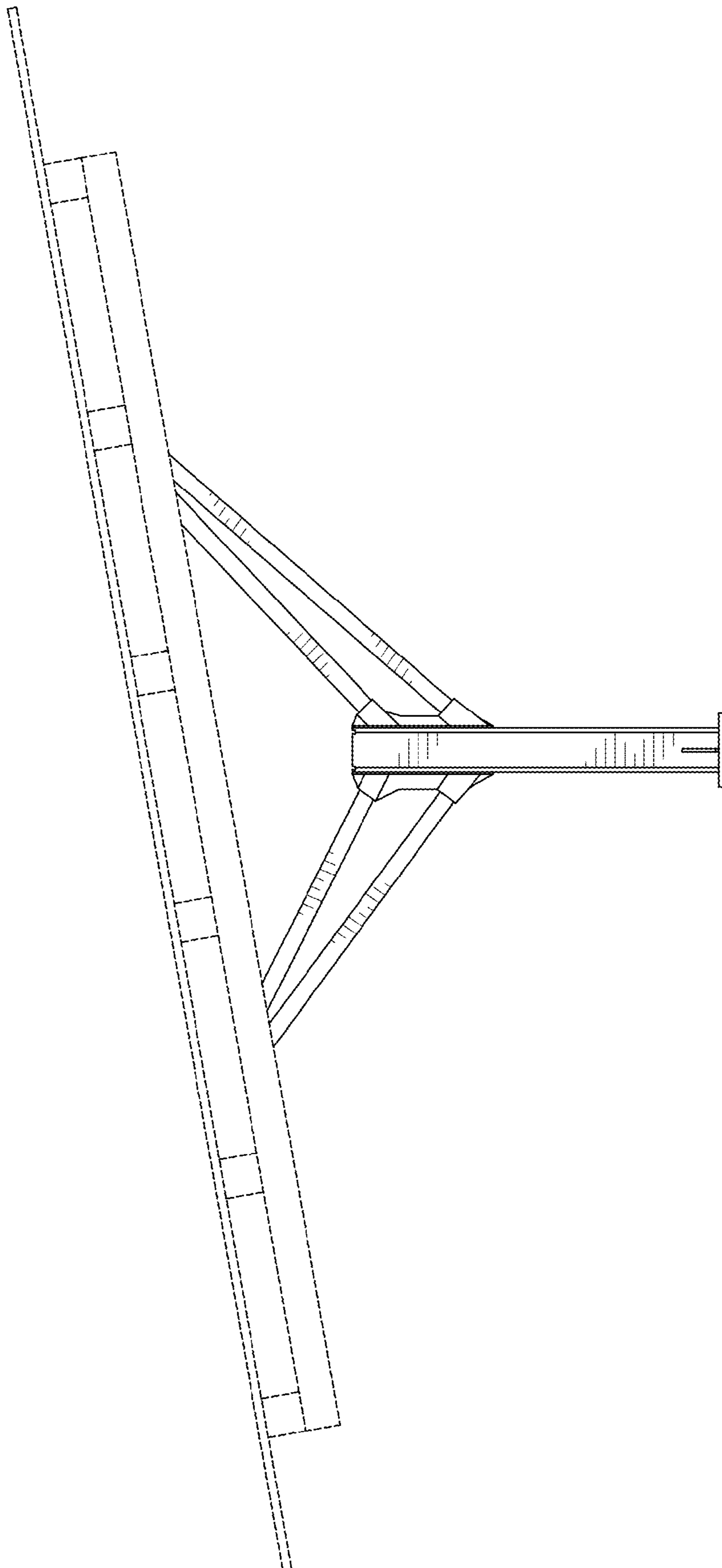


FIG. 1

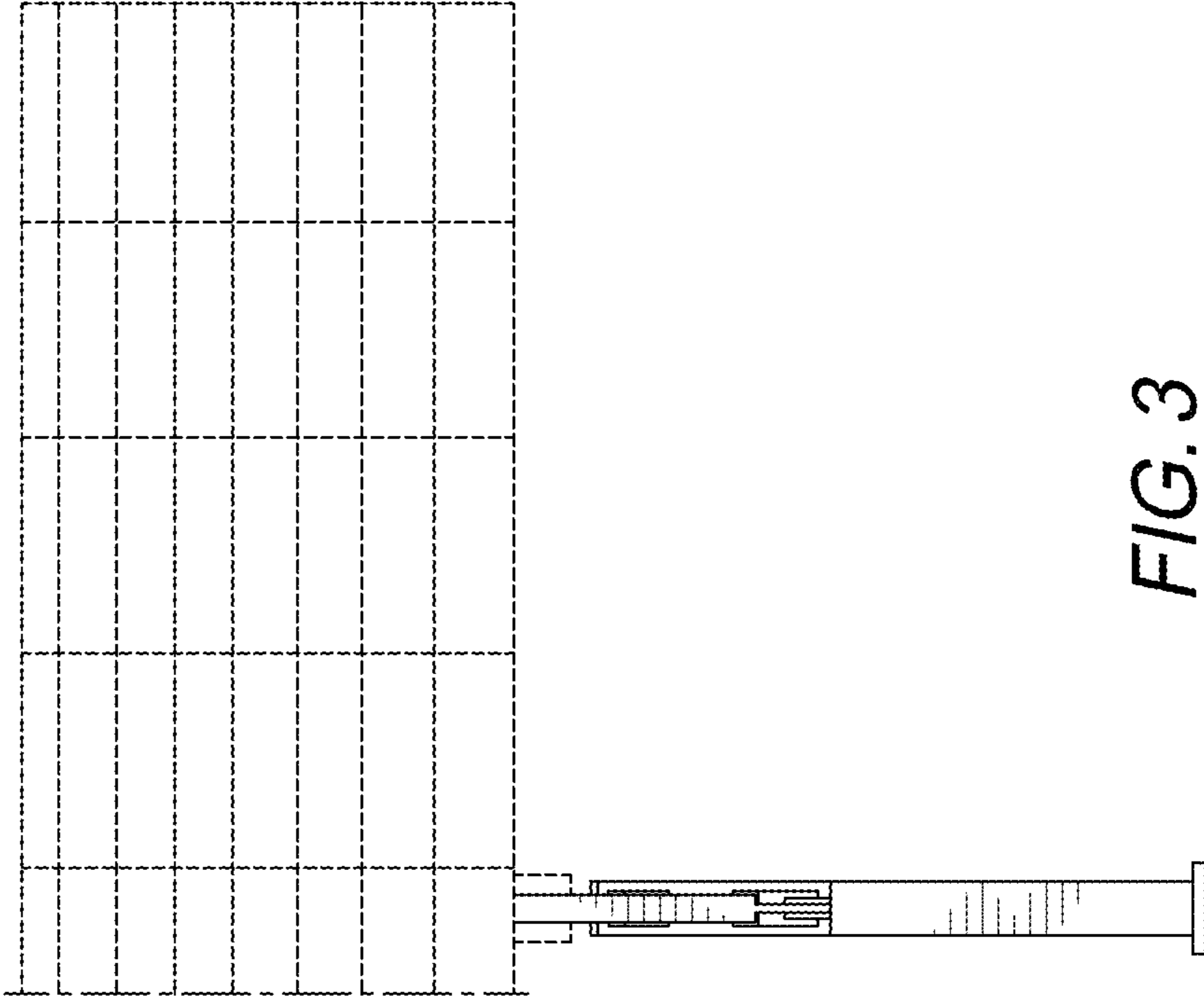


FIG. 3

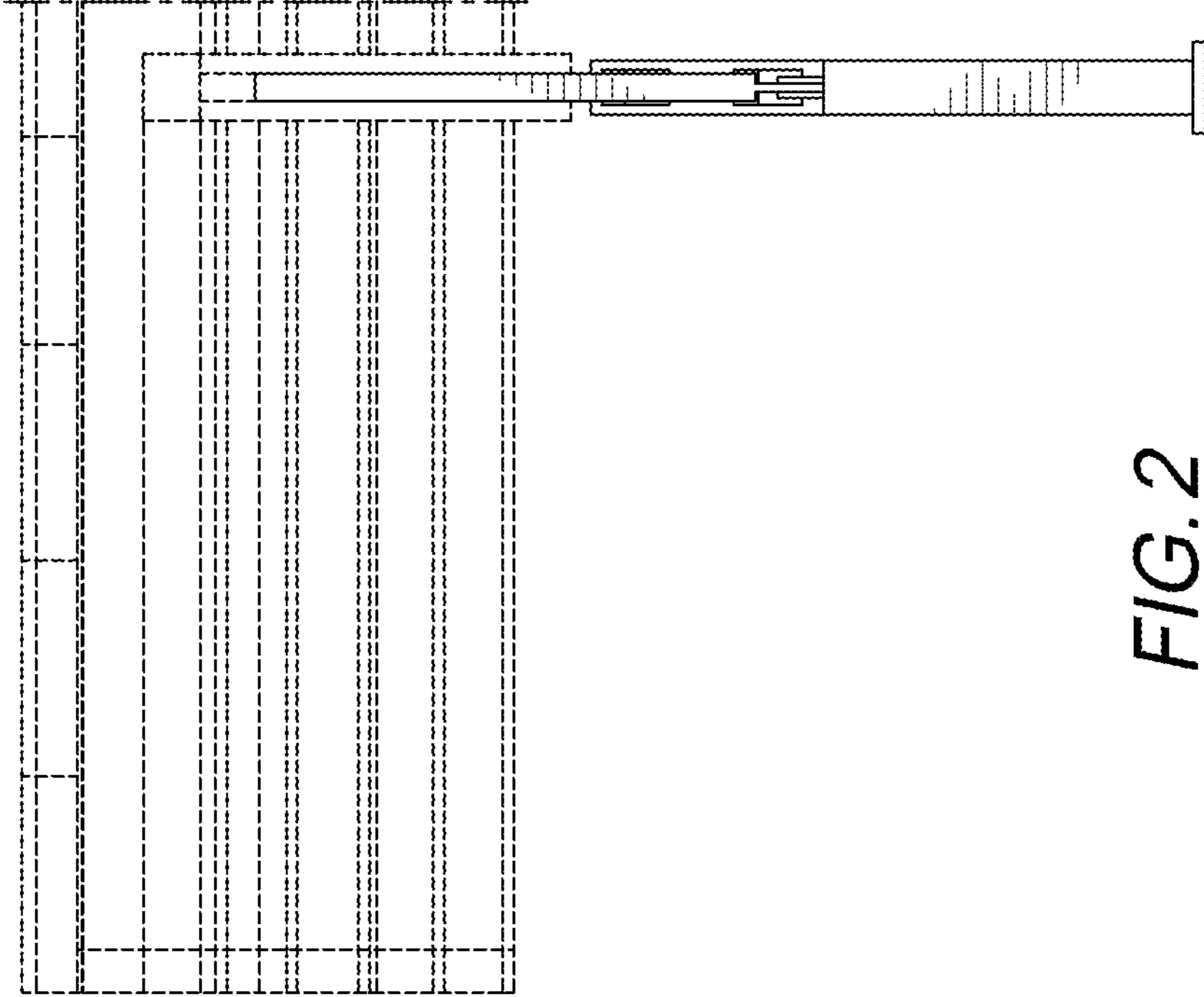


FIG. 2

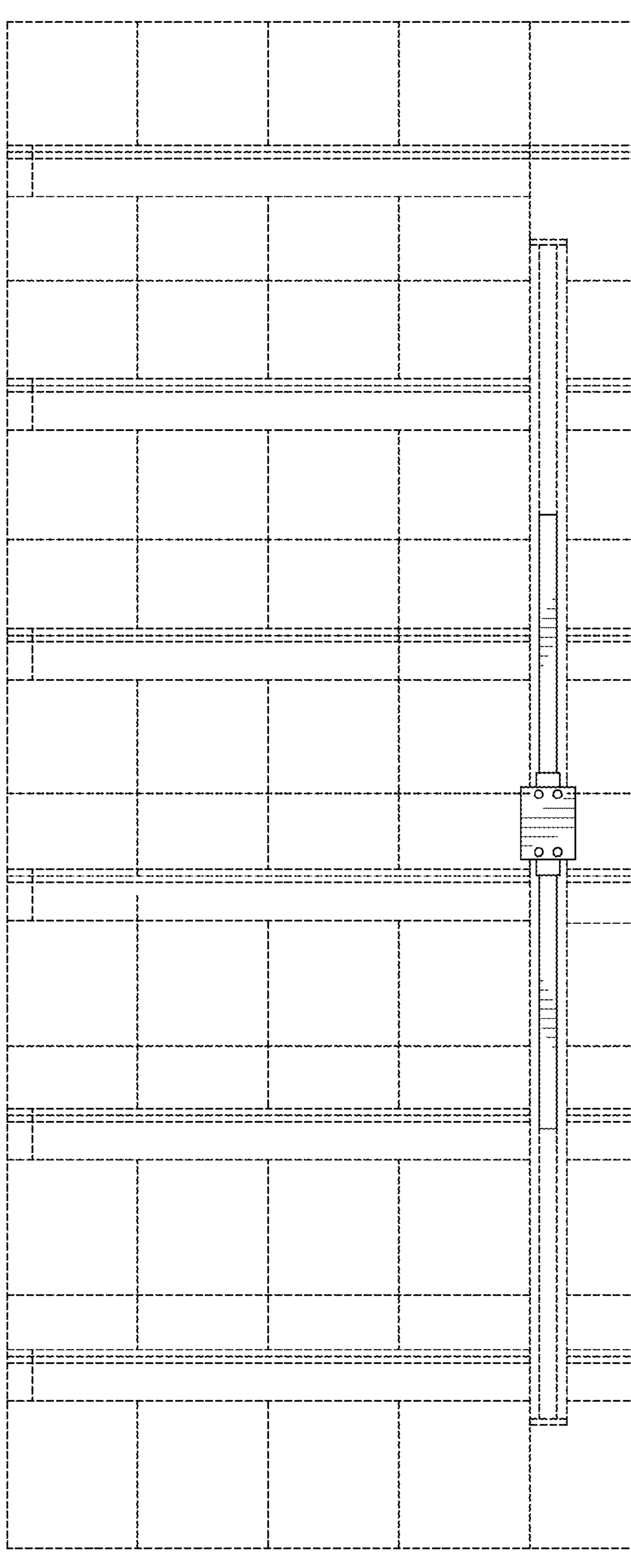


FIG. 4

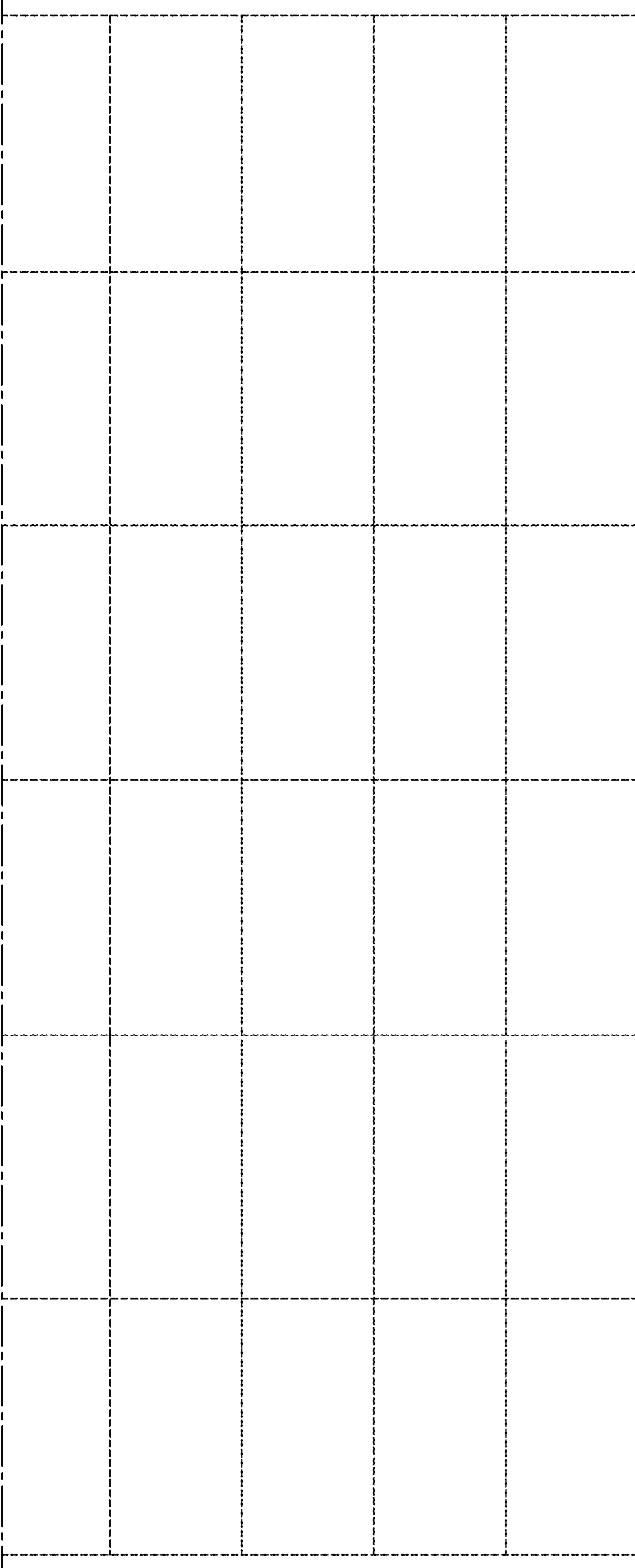
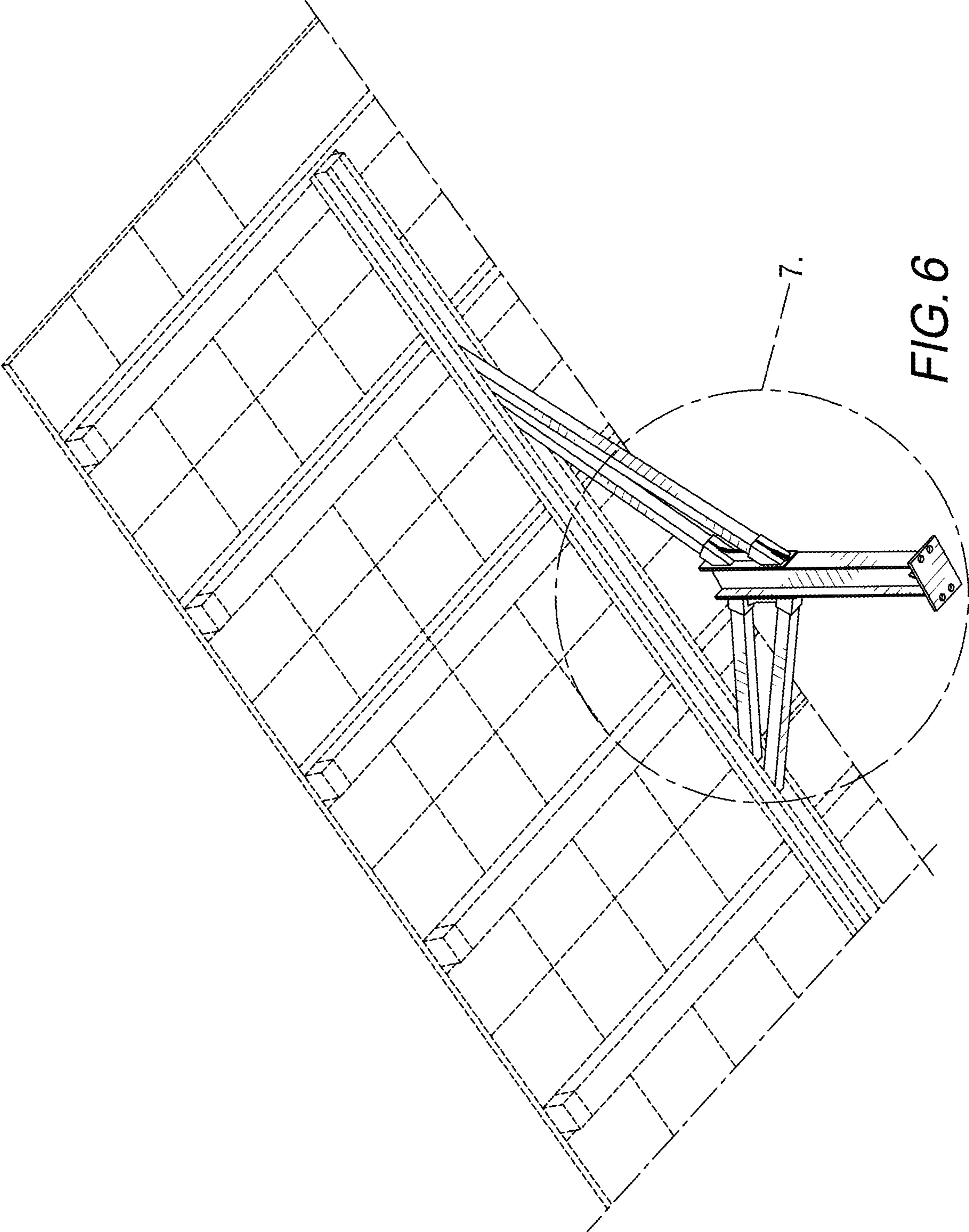


FIG. 5



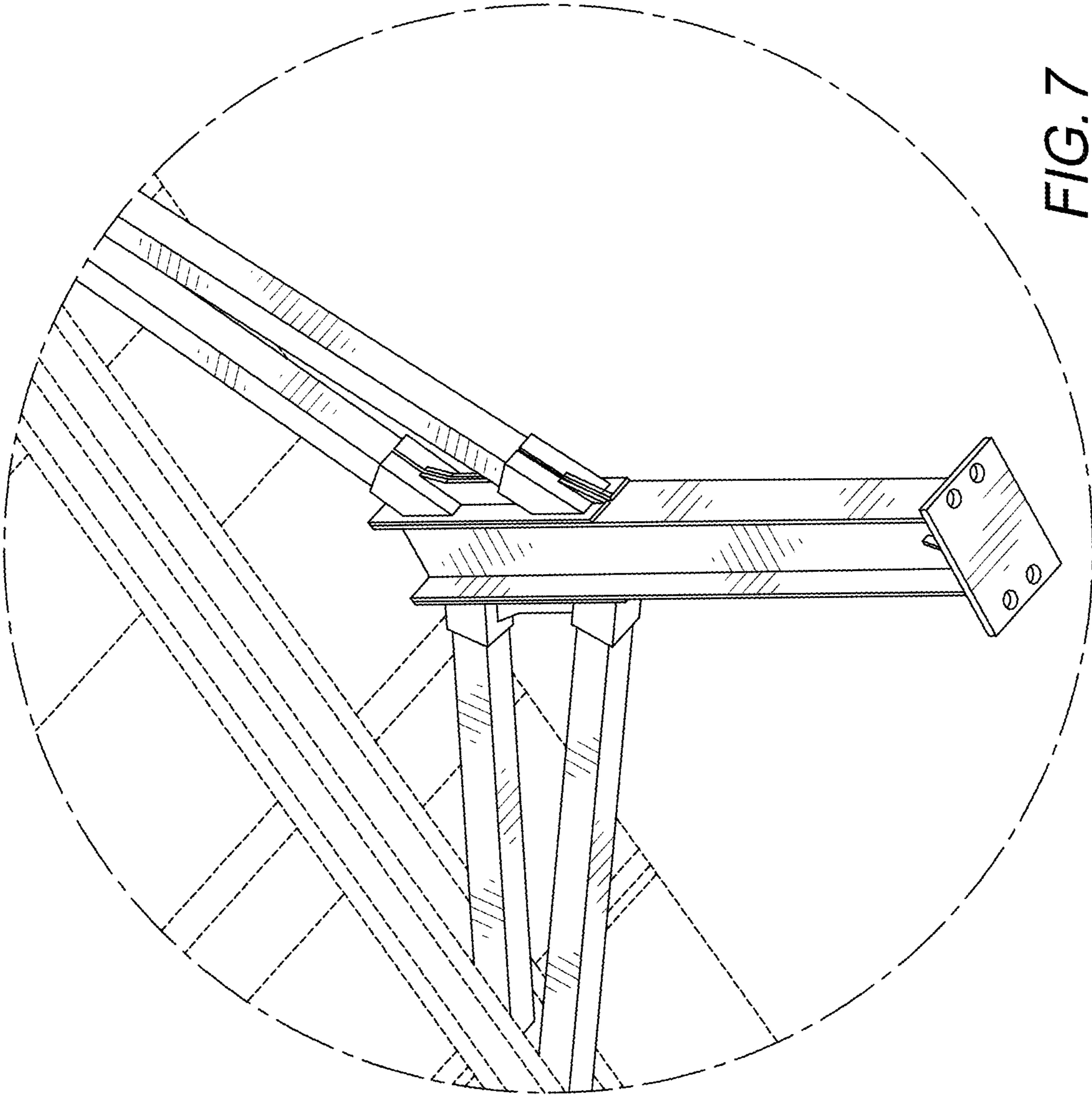


FIG. 7