



US00D896165S

(12) **United States Design Patent** (10) **Patent No.:** **US D896,165 S**
Yamaoka (45) **Date of Patent:** **** Sep. 15, 2020**

(54) **TIRE FOR AUTOMOBILE**
(71) Applicant: **SUMITOMO RUBBER INDUSTRIES, LTD.**, Kobe-shi, Hyogo (JP)
(72) Inventor: **Hiroshi Yamaoka**, Kobe (JP)
(73) Assignee: **SUMITOMO RUBBER INDUSTRIES, LTD.**, Kobe-Shi, Hyogo (JP)

D656,089 S * 3/2012 Miyazaki D12/605
D656,090 S * 3/2012 Sato D12/605
D667,369 S * 9/2012 Fontaine D12/605
D683,695 S * 6/2013 Takeshima D12/605
D700,886 S * 3/2014 Matsumoto D12/605
D740,747 S * 10/2015 Sato D12/605
D800,646 S * 10/2017 Sato D12/605
D806,642 S * 1/2018 Kuwano D12/605
D817,860 S * 5/2018 Maxwell D12/605
D829,644 S * 10/2018 Morita D12/605
D829,645 S * 10/2018 Morita D12/605
D830,960 S * 10/2018 Sato D12/605
D848,359 S * 5/2019 Furusawa D12/605

(**) Term: **15 Years**

* cited by examiner

(21) Appl. No.: **29/692,835**

Primary Examiner — Michelle E. Wilson

(22) Filed: **May 29, 2019**

Assistant Examiner — Clese Moore, Jr.

(51) **LOC (12) Cl.** **12-15**

(74) *Attorney, Agent, or Firm* — Birch, Stewart, Kolasch & Birch, LLP

(52) **U.S. Cl.**
USPC **D12/605**

(57) **CLAIM**

(58) **Field of Classification Search**
USPC D12/604, 605
CPC B60C 13/00; B60C 1/00
See application file for complete search history.

The ornamental design for a tire for automobile, as shown and described.

DESCRIPTION

(56) **References Cited**

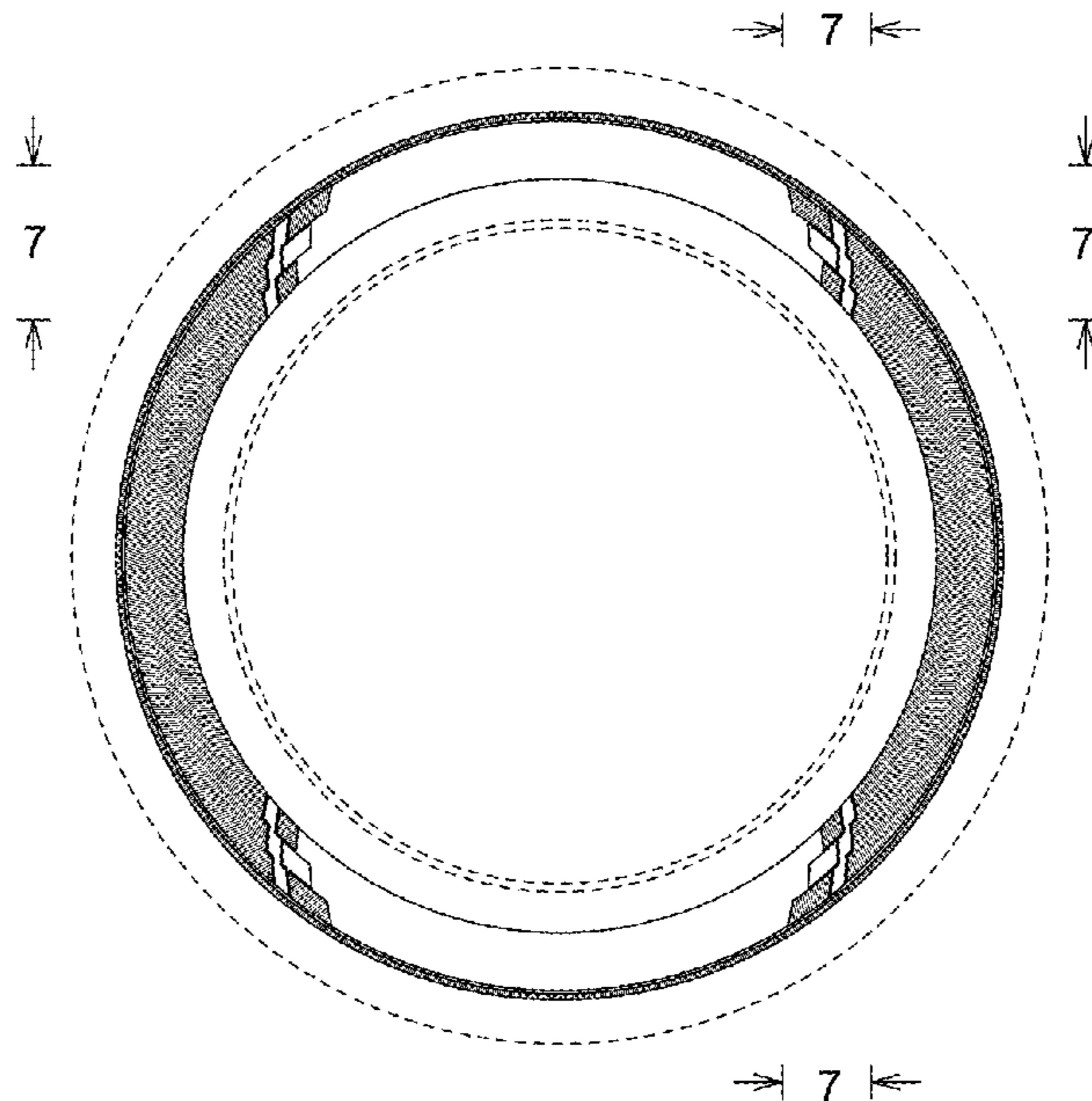
FIG. 1 is a front view of a tire for automobile showing my new design;
FIG. 2 is a rear view thereof;
FIG. 3 is a top view thereof;
FIG. 4 is a bottom view thereof;
FIG. 5 is a right view thereof;
FIG. 6 is a left view thereof;
FIG. 7 is a partially enlarged view of a portion defined by lines 7-7 shown in FIG. 1; and,
FIG. 8 is a cross-sectional view taken in direction of line 8-8 in FIG. 7.

U.S. PATENT DOCUMENTS

D517,003 S * 3/2006 Shondel D12/605
D549,168 S * 8/2007 Shondel D12/605
D569,792 S * 5/2008 Holden D12/605
D574,320 S * 8/2008 Dixon D12/605
D581,354 S * 11/2008 Harvey D12/605
D585,017 S * 1/2009 Shondel D12/605
D588,529 S * 3/2009 Reese D12/605
D588,532 S * 3/2009 Shondel D12/605
D602,427 S * 10/2009 Takahashi D12/605
D628,959 S * 12/2010 Harvey D12/605
D629,745 S * 12/2010 Shondel D12/605
D638,783 S * 5/2011 Endou D12/605
D650,323 S * 12/2011 Morito D12/605

The portions shown in broken lines illustrate the boundary of the design and form no part of the claimed design.

1 Claim, 8 Drawing Sheets



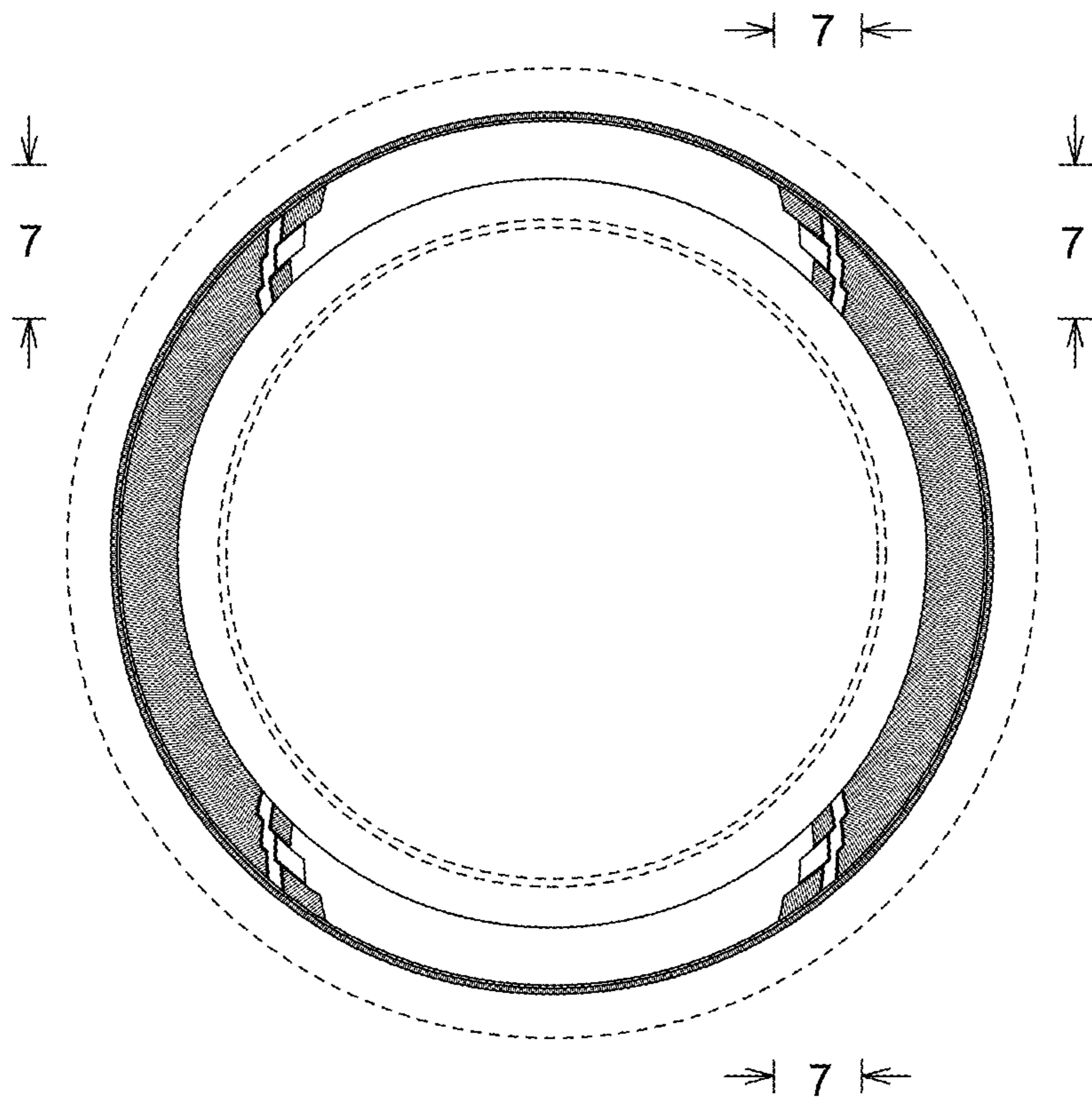


FIG. 1

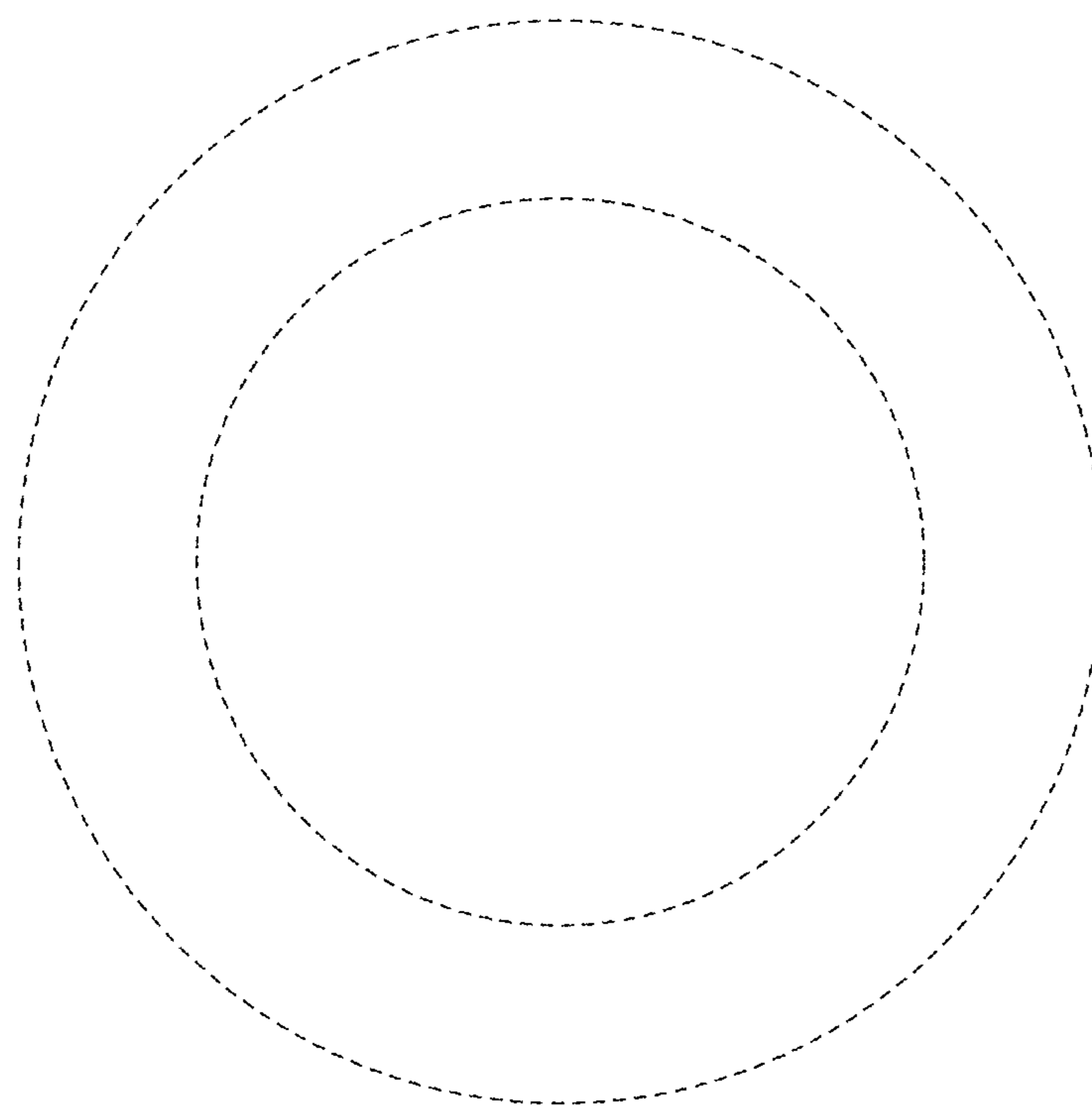


FIG. 2



FIG. 3



FIG. 4

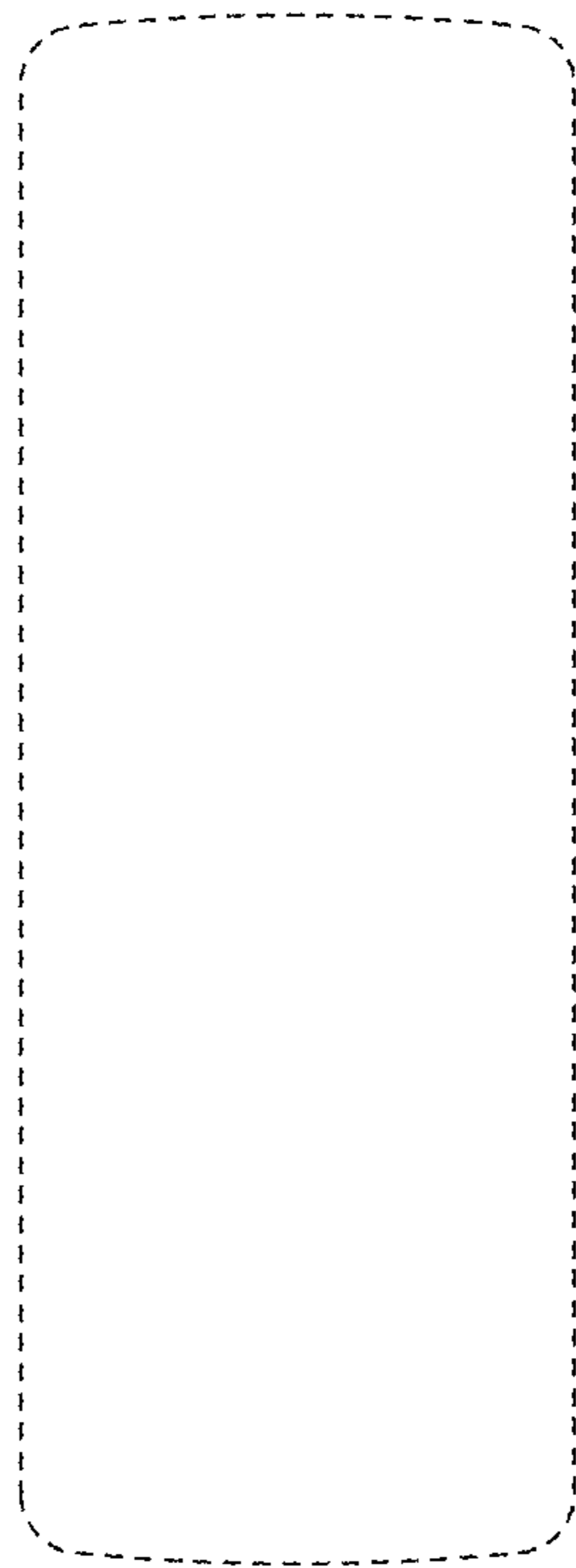


FIG. 5

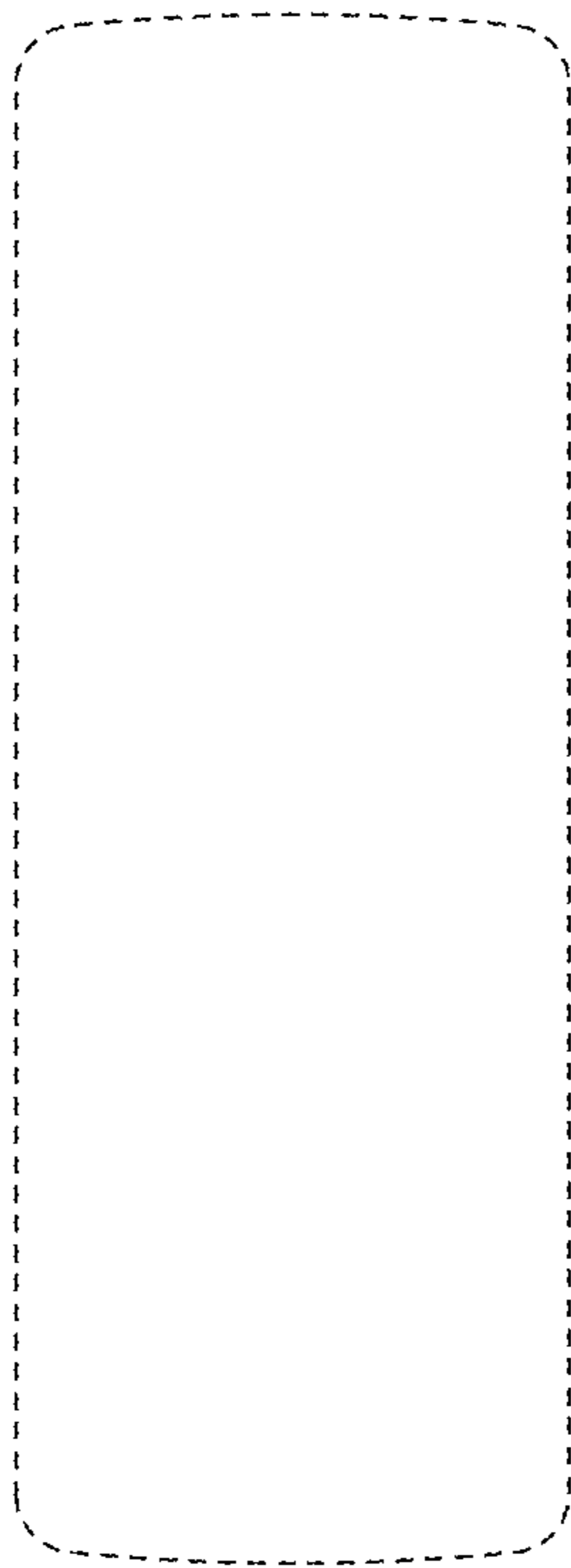


FIG. 6

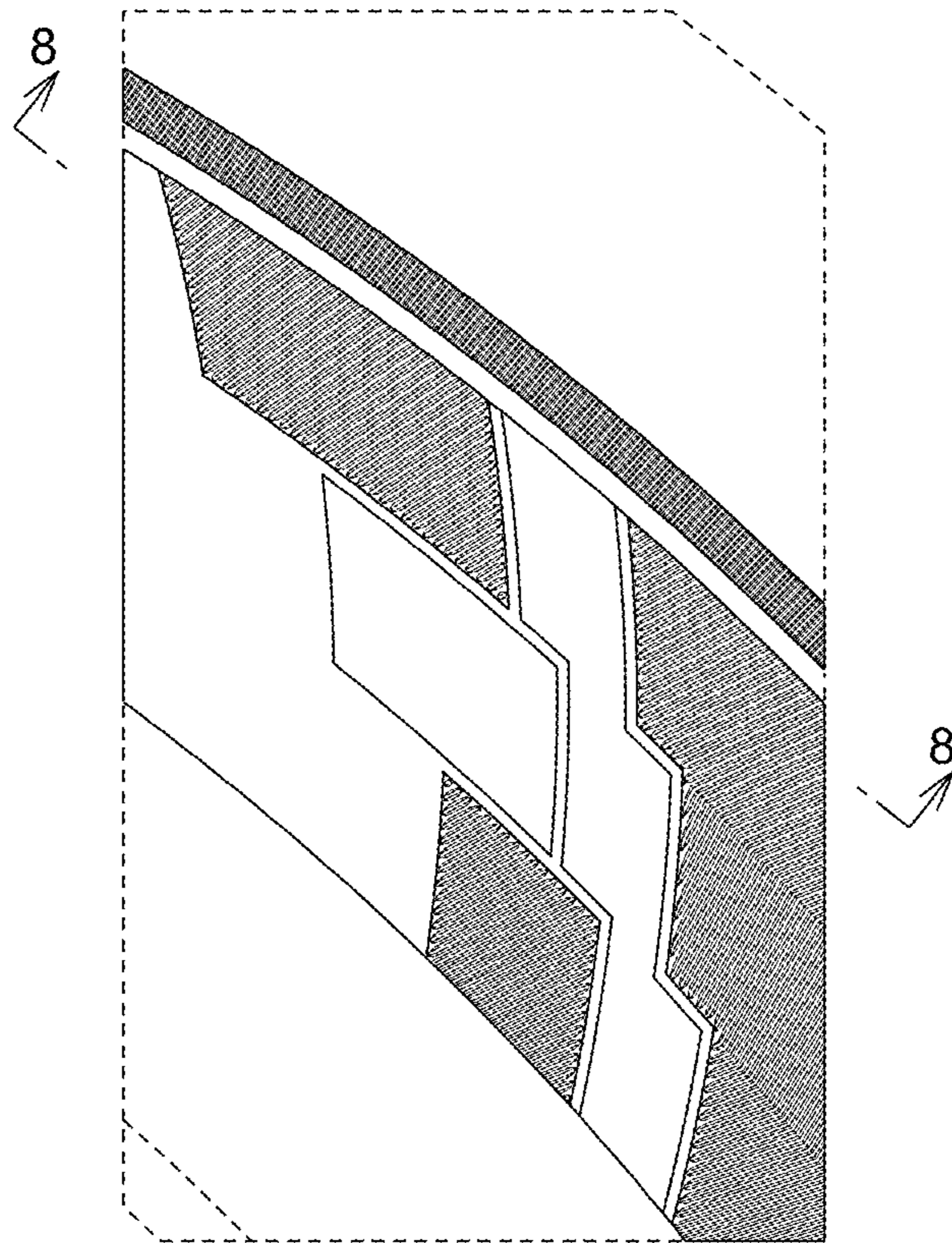


FIG. 7

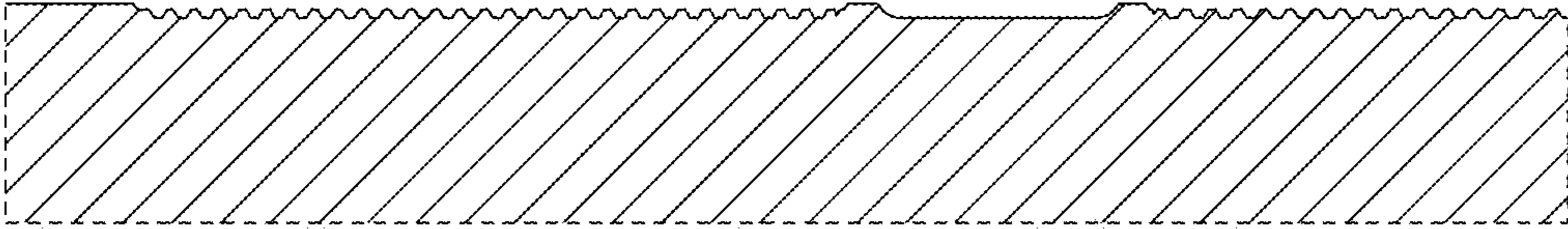


FIG. 8