



US00D896163S

(12) **United States Design Patent** (10) **Patent No.:** **US D896,163 S**
Reygrobellet et al. (45) **Date of Patent:** **** Sep. 15, 2020**

(54) **TIRE**
(71) Applicant: **The Goodyear Tire & Rubber Company, Akron, OH (US)**
(72) Inventors: **Franck Reygrobellet, Luxembourg (LU); Fabrice Gabriele, Aywaille (BE); Daniel Scheuren, Arlon (BE)**
(73) Assignee: **The Goodyear Tire & Rubber Company, Akron, OH (US)**
(**) Term: **15 Years**
(21) Appl. No.: **29/686,065**
(22) Filed: **Apr. 2, 2019**
(51) **LOC (12) Cl.** **12-15**
(52) **U.S. Cl.**
USPC **D12/583**
(58) **Field of Classification Search**
USPC D12/572, 582, 583, 584, 585, 590, 596, D12/597, 602, 603
CPC B60C 11/0302; B60C 11/0306; B60C 2011/0313; B60C 2011/0344; B60C 2011/0346
See application file for complete search history.

D738,814 S 9/2015 Otani
D769,796 S * 10/2016 Gayton D12/582
D789,285 S 6/2017 Becker et al.
D818,940 S 5/2018 Parr et al.
D818,941 S 5/2018 Parr et al.
D821,295 S * 6/2018 Baranger D12/582
D822,586 S 7/2018 Becker et al.
D830,289 S * 10/2018 Mita D12/584

(Continued)

Primary Examiner — Robert M. Spear
(74) *Attorney, Agent, or Firm* — Robert N. Lipsik

(57) **CLAIM**

The ornamental Design for a tire, as shown and described.

DESCRIPTION

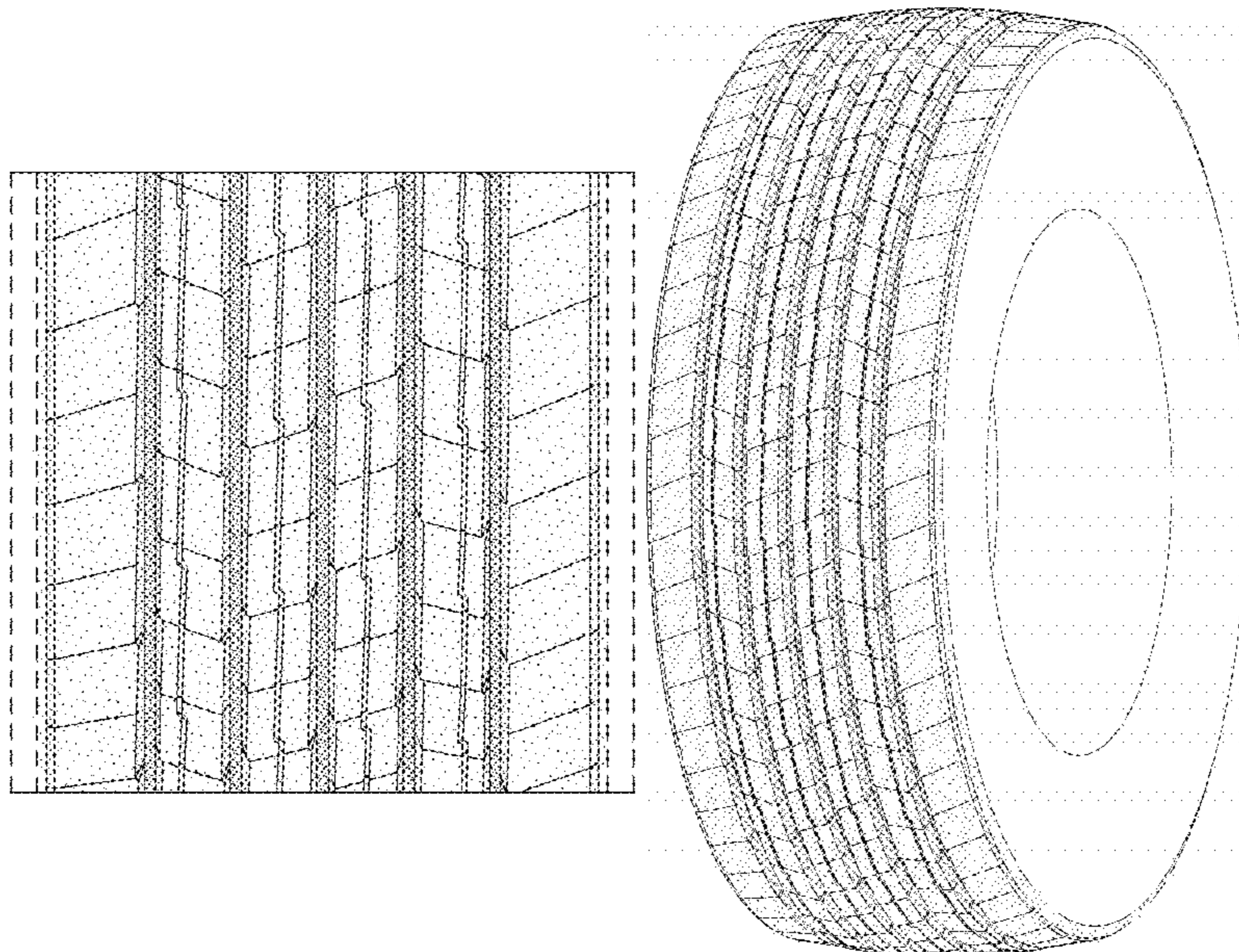
FIG. 1 is a perspective view of a tire showing our new design, it being understood that the pattern repeats uniformly throughout the circumference of the tread;
FIG. 2 is a front elevational view thereof;
FIG. 3 is a right side elevational view thereof; the left side elevational view being identical thereto;
FIG. 4 is an enlarged fragmentary front elevational view thereof;
FIG. 5 is a perspective view of a second embodiment of a tire showing our new design, it being understood that the interior of the tire forms no part of the claim, that the pattern repeats uniformly throughout the circumference of the tread and that the opposite side view is identical thereto; and,
FIG. 6 is a front elevational view of a second embodiment, it being understood that an enlarged fragmentary view thereof would be substantially identical to that shown in FIG. 4, with the exception of the inclusion of the sidewall in the claim.
In the drawings, the broken lines immediately adjacent to the outer edges of the tire shoulder represent boundaries of the claim, and the broken lines depict environmental subject matter only and form no part of the claimed design.

(56) **References Cited**

U.S. PATENT DOCUMENTS

D459,295 S * 6/2002 Rodicq D12/590
D481,671 S 11/2003 Feider et al.
D597,479 S 8/2009 Scharis
D599,282 S 9/2009 Nicolas
D644,599 S 9/2011 Nicolas et al.
D644,600 S 9/2011 Nicolas et al.
D647,040 S 10/2011 Mathonet et al.
D647,464 S 10/2011 Scharis et al.
D648,264 S 11/2011 Le et al.
D702,180 S 4/2014 Le et al.

1 Claim, 6 Drawing Sheets



(56)

References Cited

U.S. PATENT DOCUMENTS

D851,020 S	*	6/2019	Koog	D12/585
D853,946 S	*	7/2019	Becker	D12/588
D886,716 S	*	6/2020	Pribula	D12/584

* cited by examiner

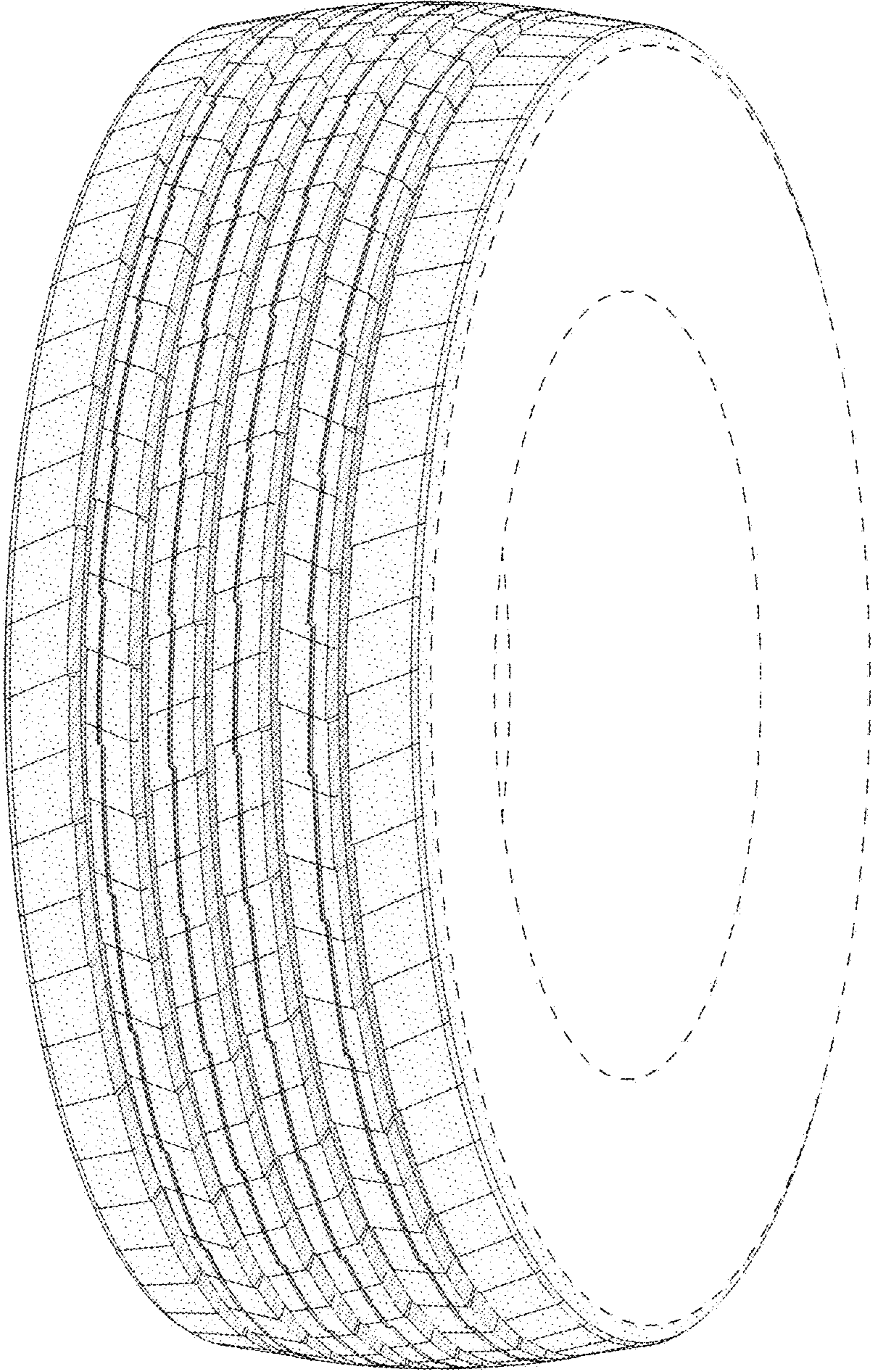


FIG - 1

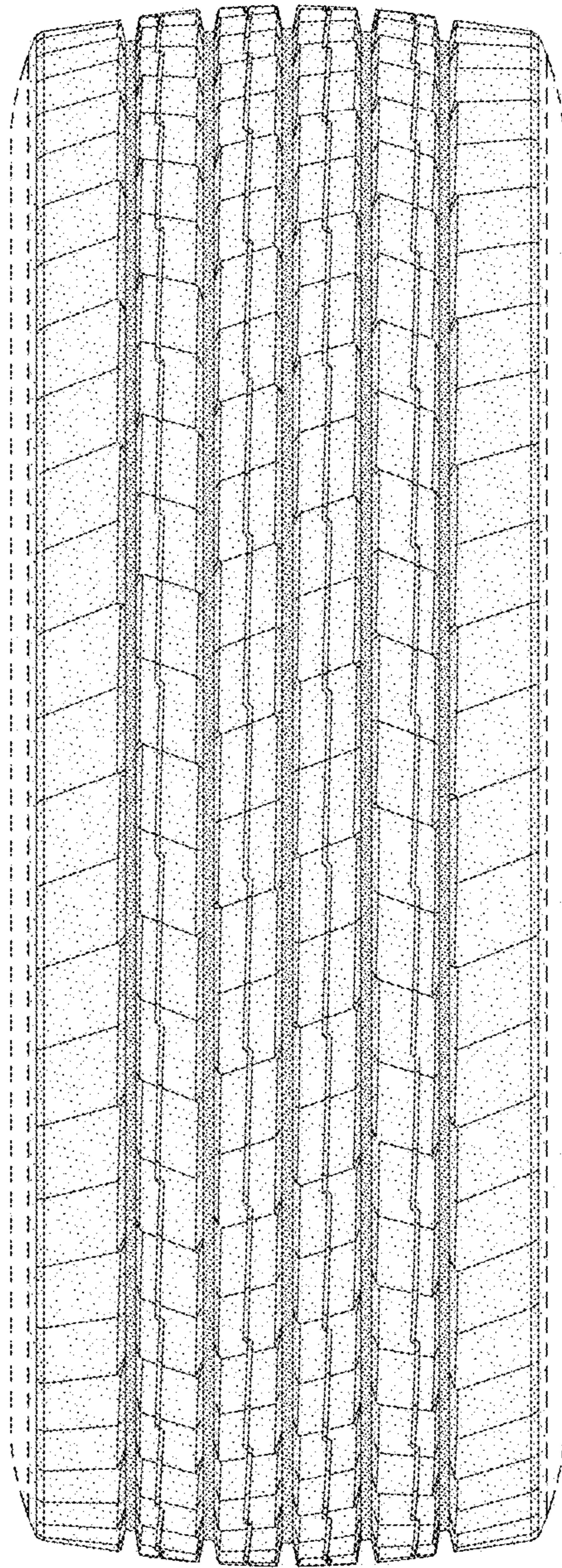


FIG - 2

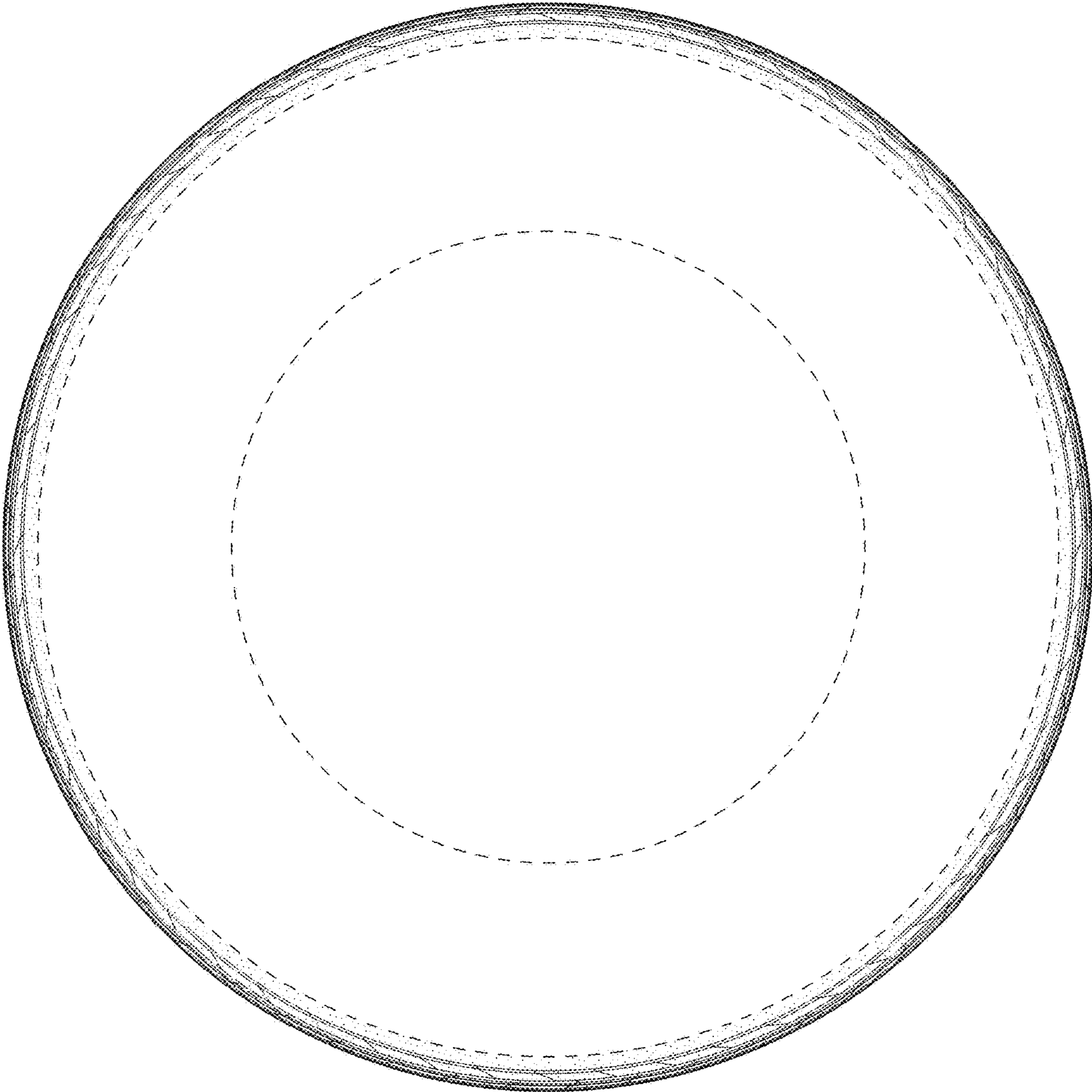


FIG - 3

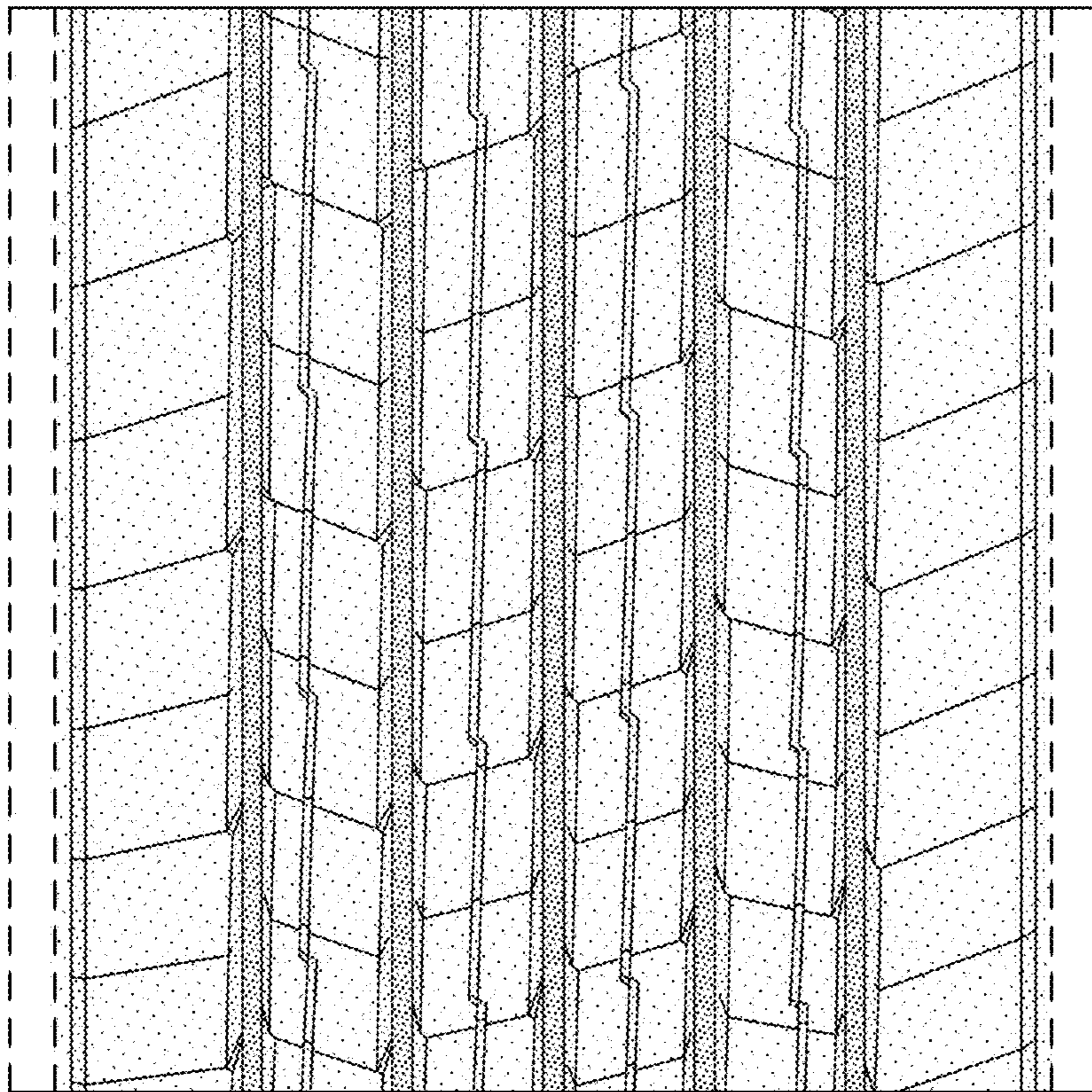


FIG - 4

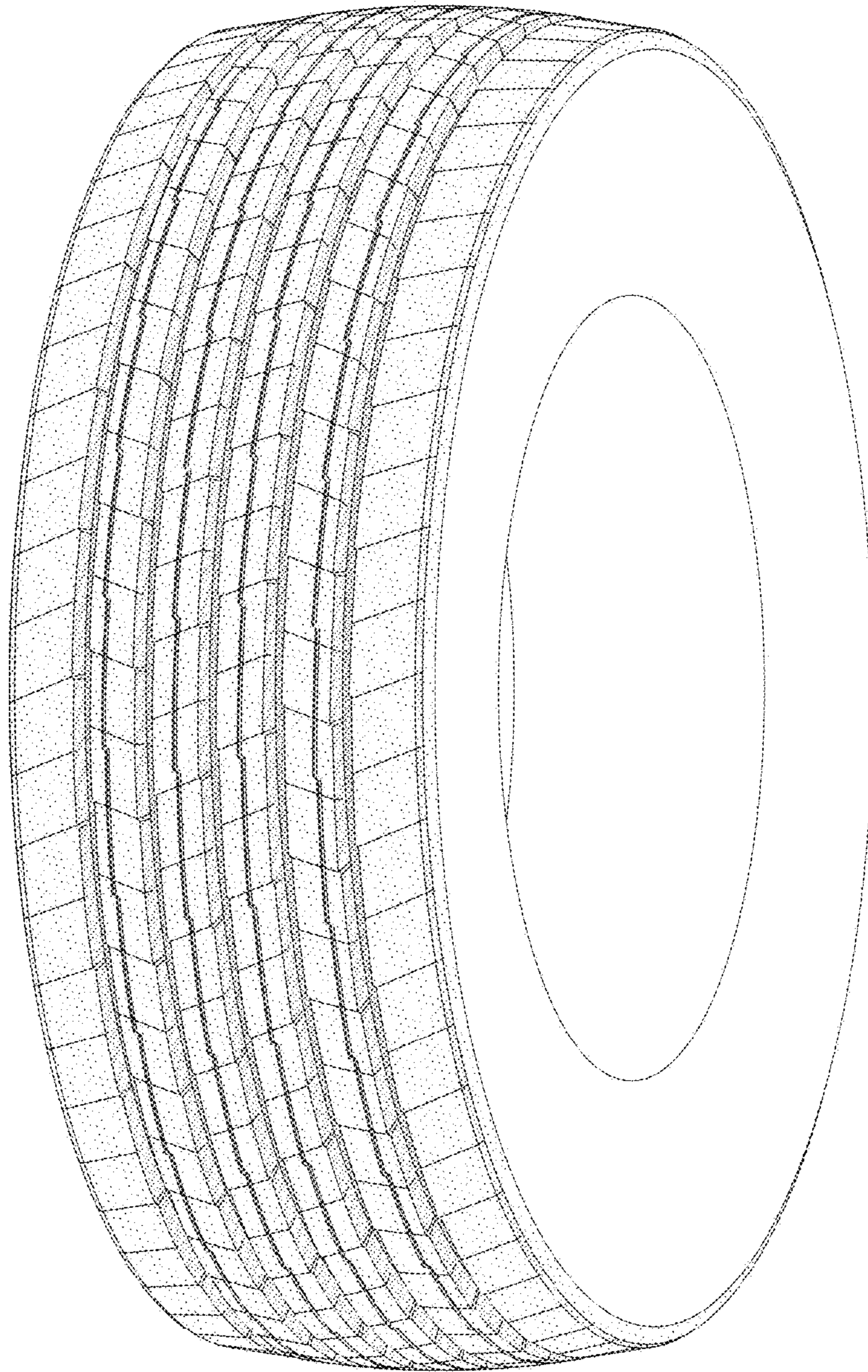


FIG - 5

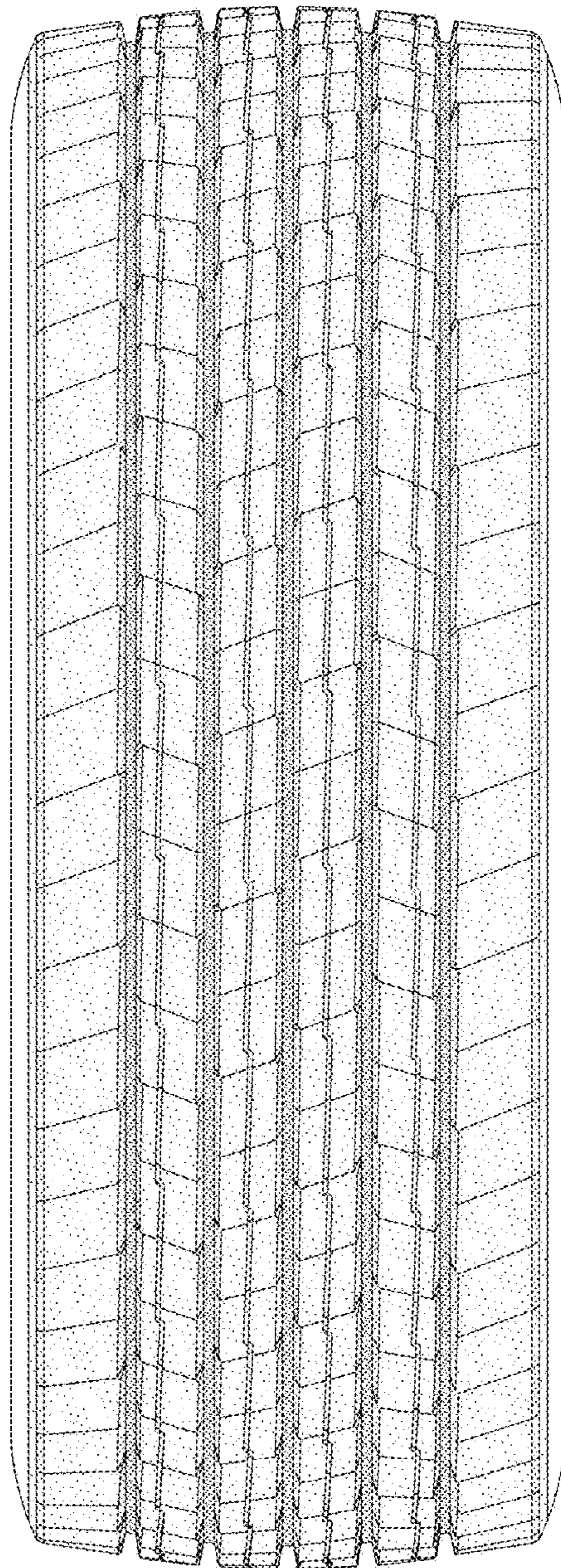


FIG - 6