



US00D896157S

(12) **United States Design Patent**
Barwick

(10) **Patent No.:** **US D896,157 S**
(45) **Date of Patent:** **** Sep. 15, 2020**

(54) **ATTACHABLE WATERCRAFT CHAIR**

(71) Applicant: **Ronald H. Barwick**, Oxford, FL (US)

(72) Inventor: **Ronald H. Barwick**, Oxford, FL (US)

(**) Term: **15 Years**

(21) Appl. No.: **29/713,224**

(22) Filed: **Nov. 14, 2019**

5,460,113	A *	10/1995	Gunter	B63B 21/00
					114/230.2
D364,595	S *	11/1995	Doyle	D12/168
5,613,457	A *	3/1997	Frank	B63B 21/04
					114/218
5,924,521	A *	7/1999	Crockett	B63B 27/14
					182/106
6,119,615	A *	9/2000	Porat	B63B 27/14
					114/362
6,154,929	A *	12/2000	Dwyer	B63B 17/00
					16/422
6,435,126	B1	8/2002	Burke		

(Continued)

Related U.S. Application Data

(63) Continuation-in-part of application No. 16/601,707, filed on Oct. 15, 2019, and a continuation-in-part of application No. 15/951,383, filed on Apr. 12, 2018, now Pat. No. 10,479,454.

(51) **LOC (12) Cl.** **12-06**

(52) **U.S. Cl.**
USPC **D12/317; D6/356**

(58) **Field of Classification Search**
USPC D12/317; D6/356
CPC B63B 27/14; B63B 17/00; B63B 29/02;
B63B 29/04; B63B 2029/022; B63B
2029/043; B63B 2021/006; B63B
2005/027

See application file for complete search history.

(56) **References Cited**

U.S. PATENT DOCUMENTS

2,446,036	A	7/1948	Vit et al.	
3,195,680	A *	7/1965	Thornburg B63B 27/14
				182/92
4,495,883	A *	1/1985	Hoy B63B 27/14
				114/343
4,775,346	A *	10/1988	Gunter A63B 67/007
				114/293
4,799,447	A *	1/1989	Hebert B63B 27/14
				144/362

Primary Examiner — Cynthia M. Chin

(74) *Attorney, Agent, or Firm* — Boudwin Intellectual Property; Daniel Boudwin

(57) **CLAIM**

The ornamental design for an attachable watercraft chair, as shown and described.

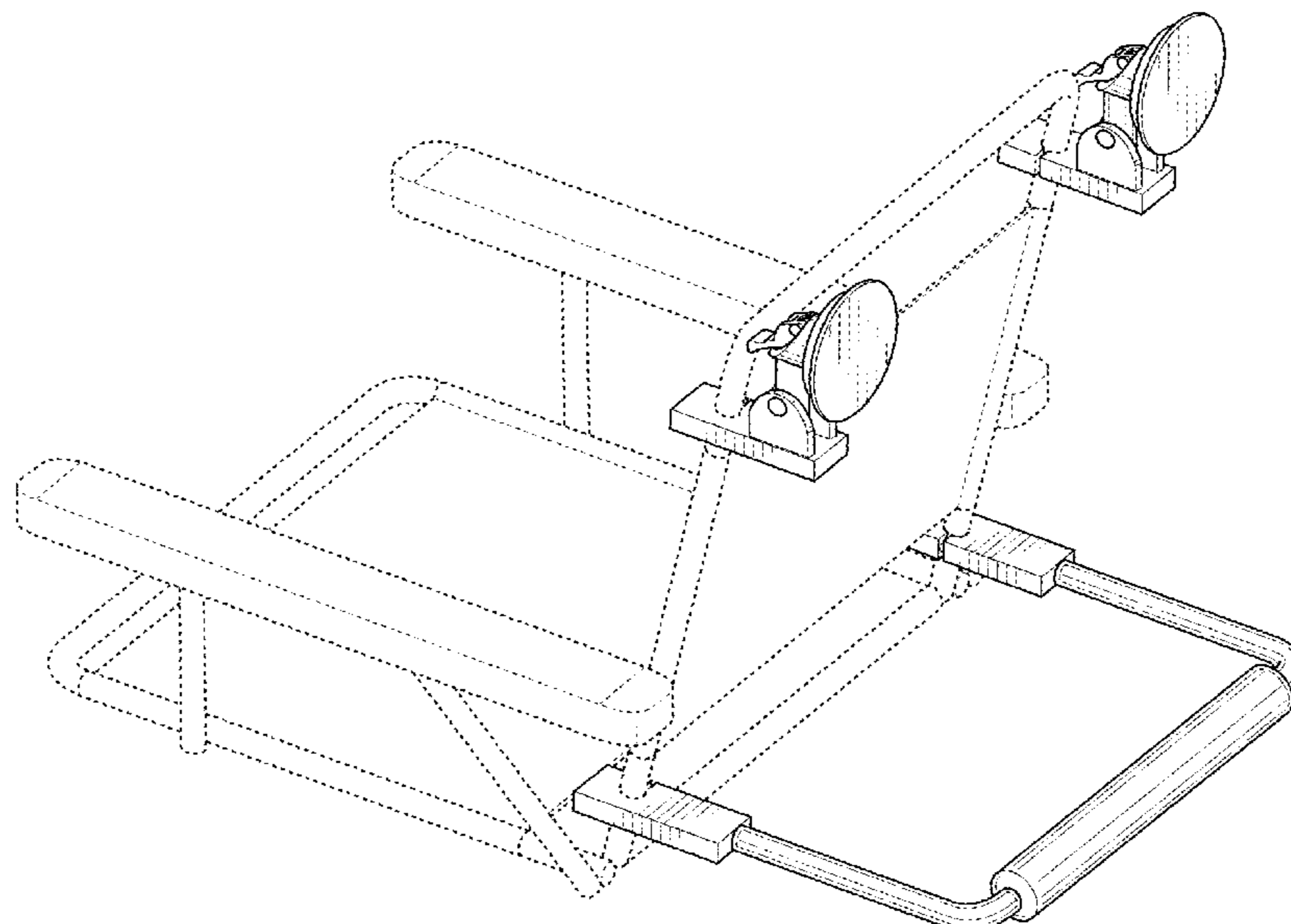
DESCRIPTION

FIG. 1 shows a perspective view of an attachable watercraft chair;
FIG. 2 shows a front view of the attachable watercraft chair;
FIG. 3 shows a rear view of the attachable watercraft chair;
FIG. 4 shows a right side view of the attachable watercraft chair;
FIG. 5 shows a left side view of the attachable watercraft chair;
FIG. 6 shows a top plan view of the attachable watercraft chair; and,
FIG. 7 shows a bottom plan view of the attachable watercraft chair.

The shade lines in the Figures show contour and not surface ornamentation.

The broken lines shown in the Figures show portions of the attachable watercraft chair device which form no part of the claimed design.

1 Claim, 7 Drawing Sheets



(56)

References Cited

U.S. PATENT DOCUMENTS

6,475,048	B2 *	11/2002	Gredy	B63B 21/00 114/230.1
7,475,652	B2 *	1/2009	Dvorak	B63B 27/146 114/362
D594,524	S *	6/2009	Oliva	D21/803
7,832,804	B2	11/2010	LaFreniere	
7,867,049	B1 *	1/2011	Doffay	B63B 35/58 114/345
7,900,575	B2	3/2011	Walbridge et al.	
8,028,641	B1	10/2011	Sly	
8,365,472	B2 *	2/2013	Grimaldi	B63B 17/04 52/69
8,479,664	B2	7/2013	Nelson	
8,790,148	B2 *	7/2014	Ehrat	E04H 4/14 441/129
9,199,696	B1	12/2015	Bonell	
9,340,258	B1 *	5/2016	Long	B63B 17/00
9,475,554	B2 *	10/2016	Heimerl	B63B 29/04
9,937,979	B1 *	4/2018	Holmes	B63B 29/02
10,399,645	B1 *	9/2019	Holmes	B63B 27/146
2009/0301378	A1 *	12/2009	Walbridge	B63B 29/04 114/363

* cited by examiner

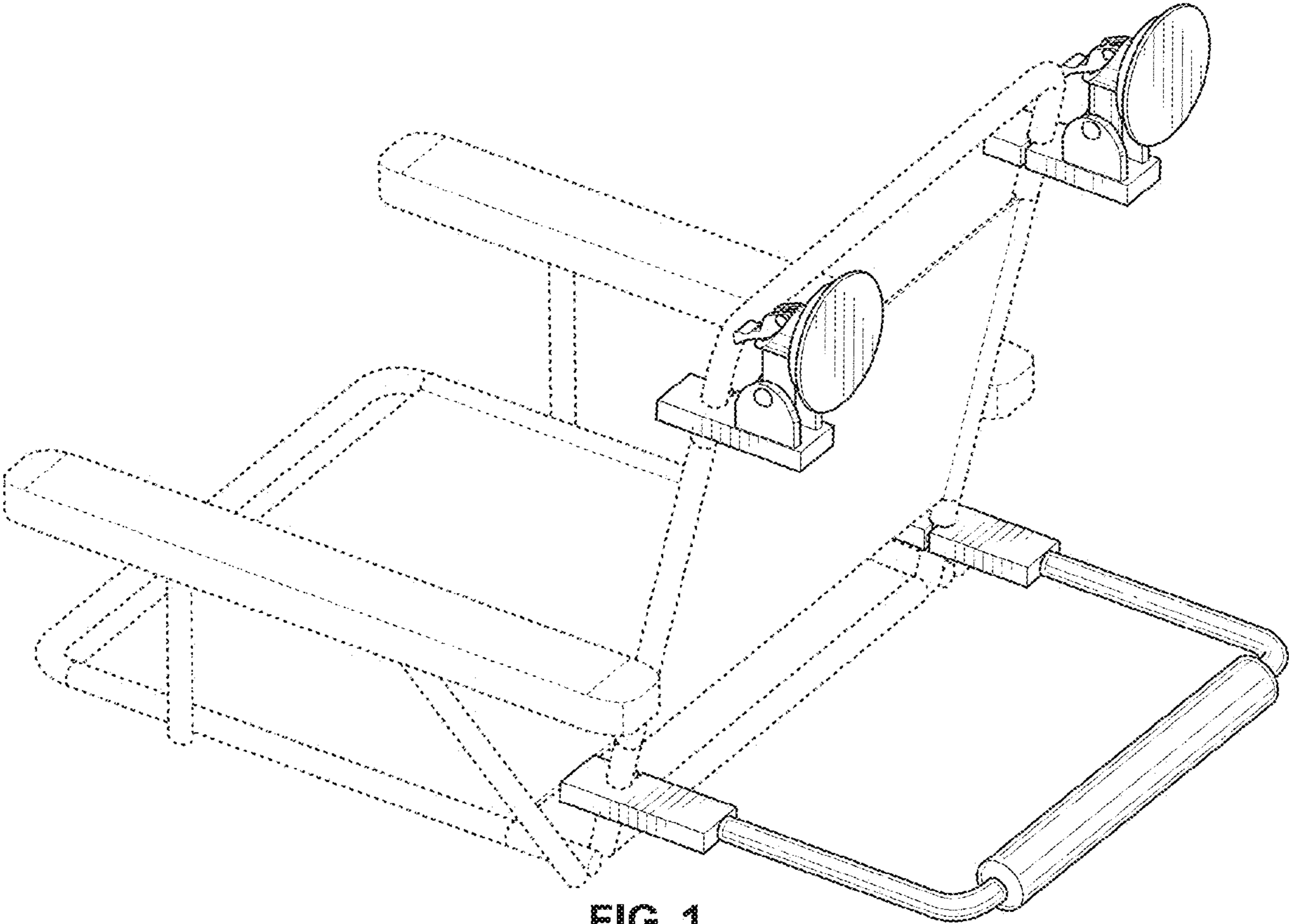


FIG. 1

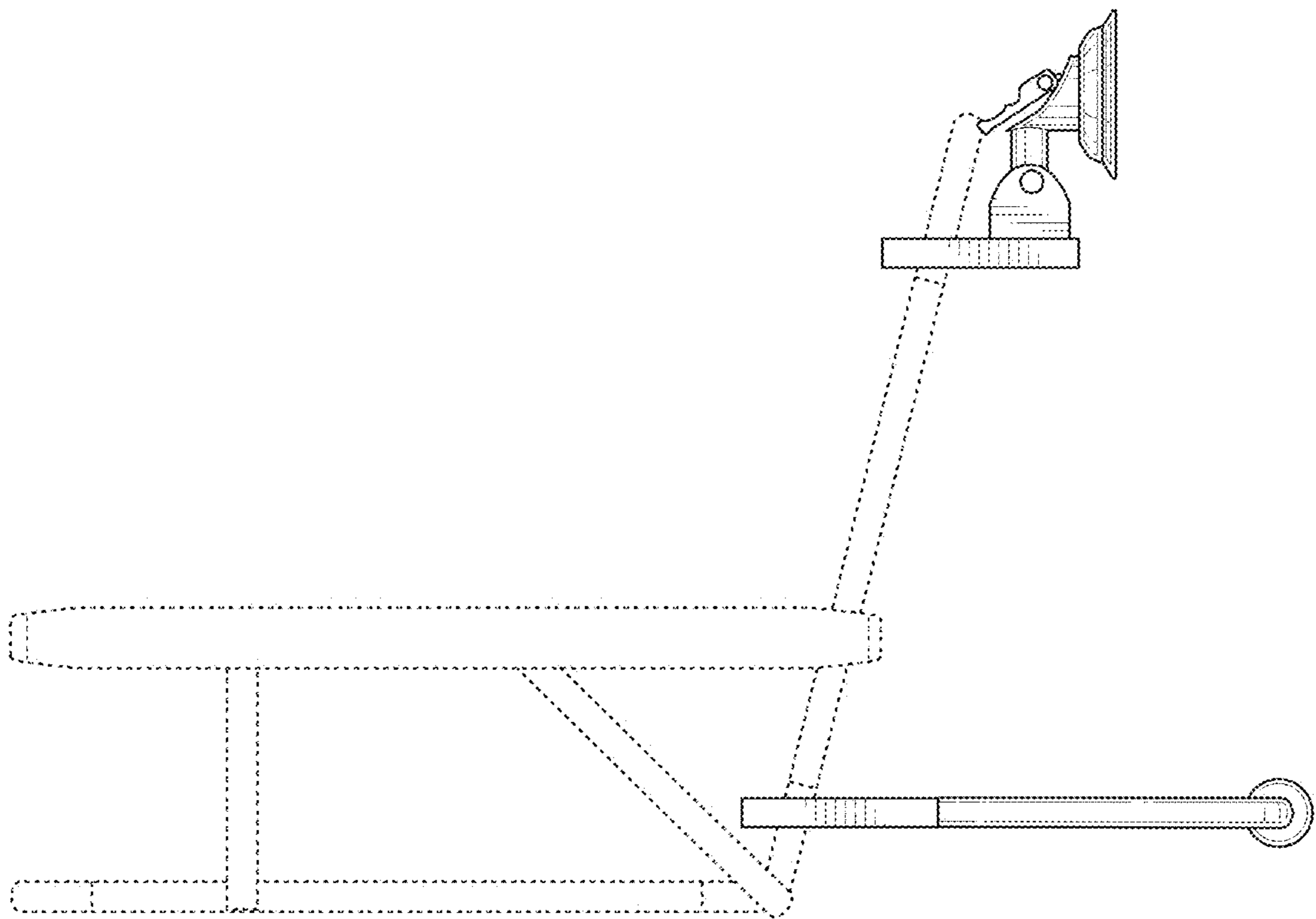


FIG. 2

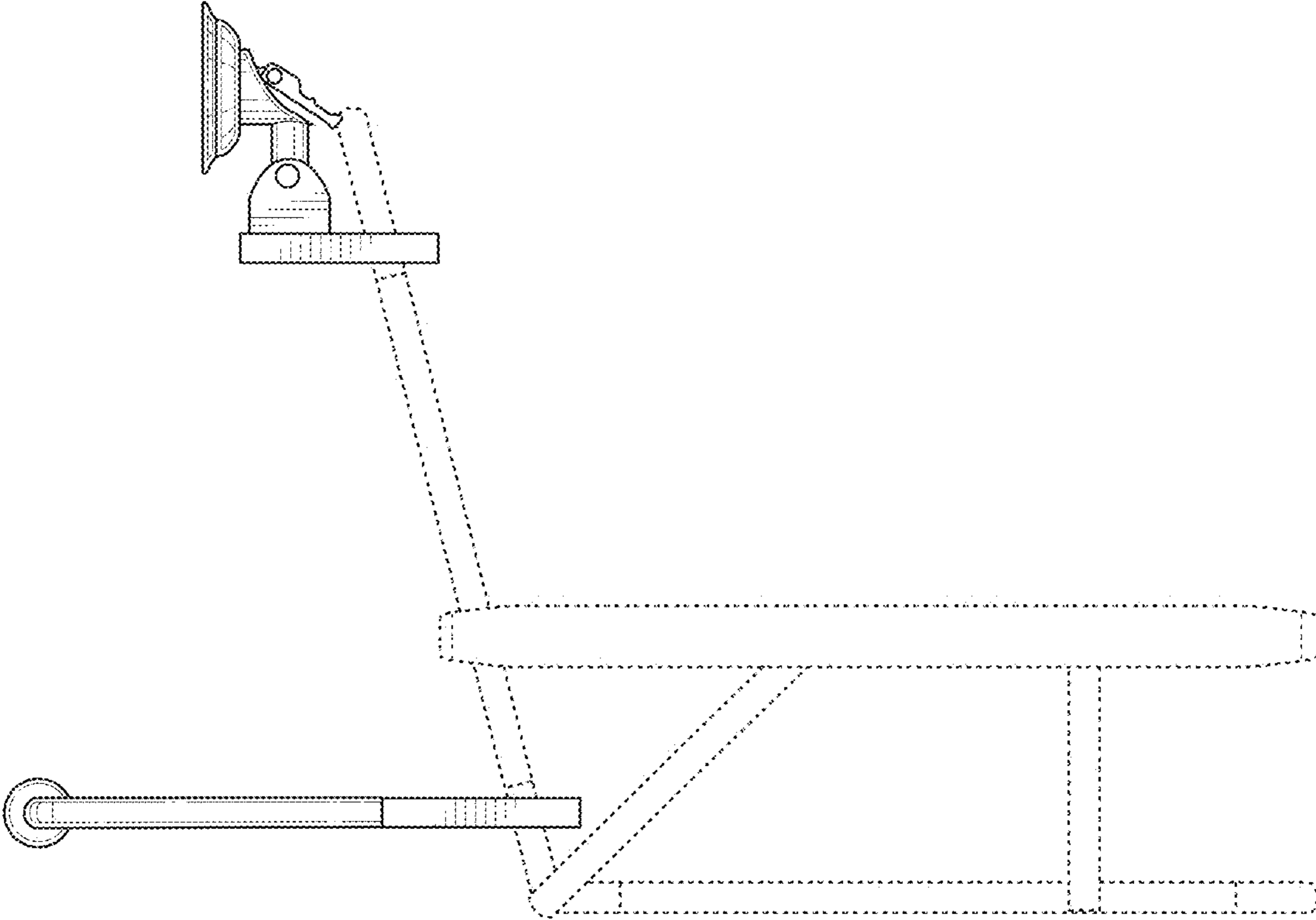


FIG. 3

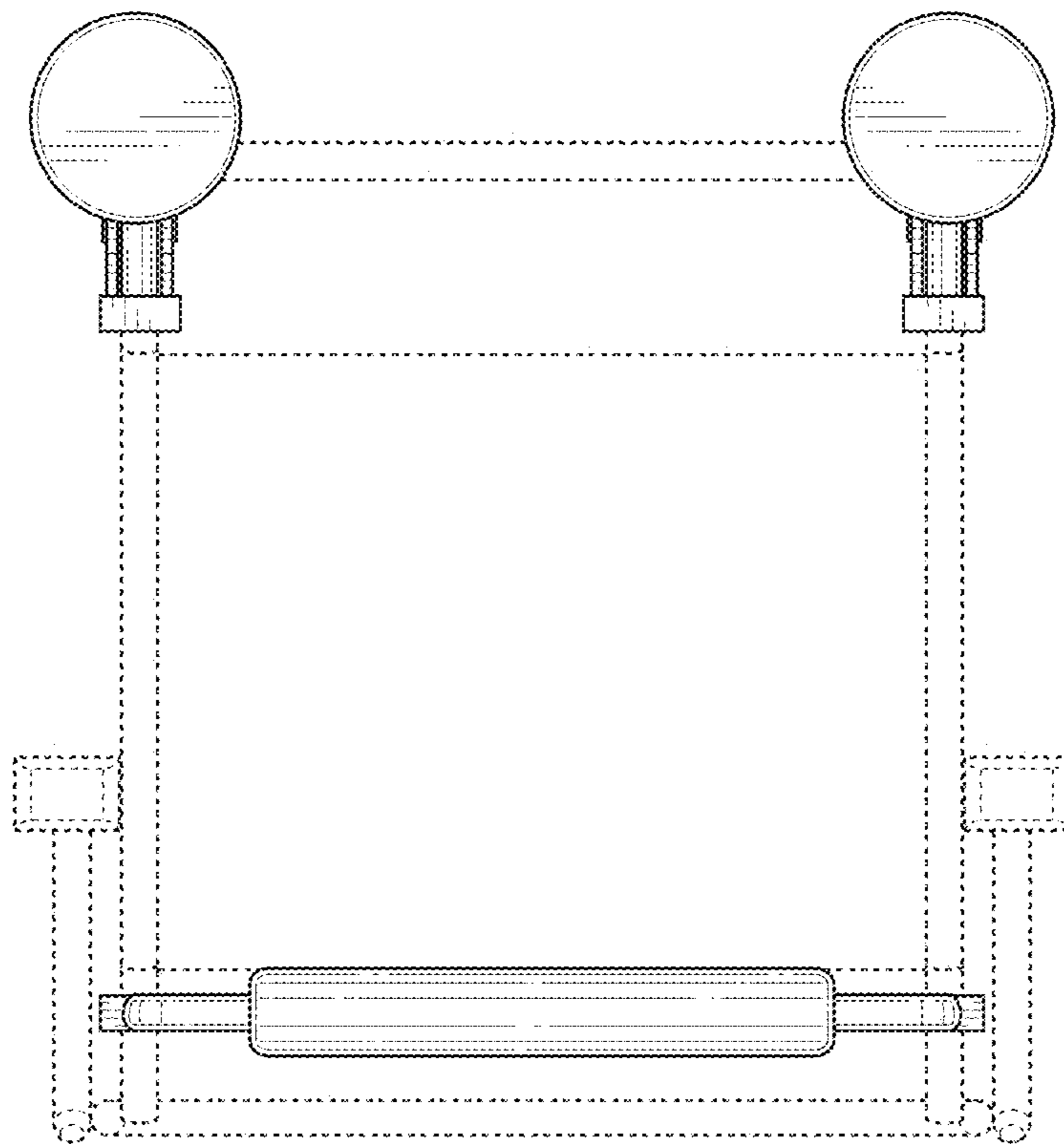


FIG. 4

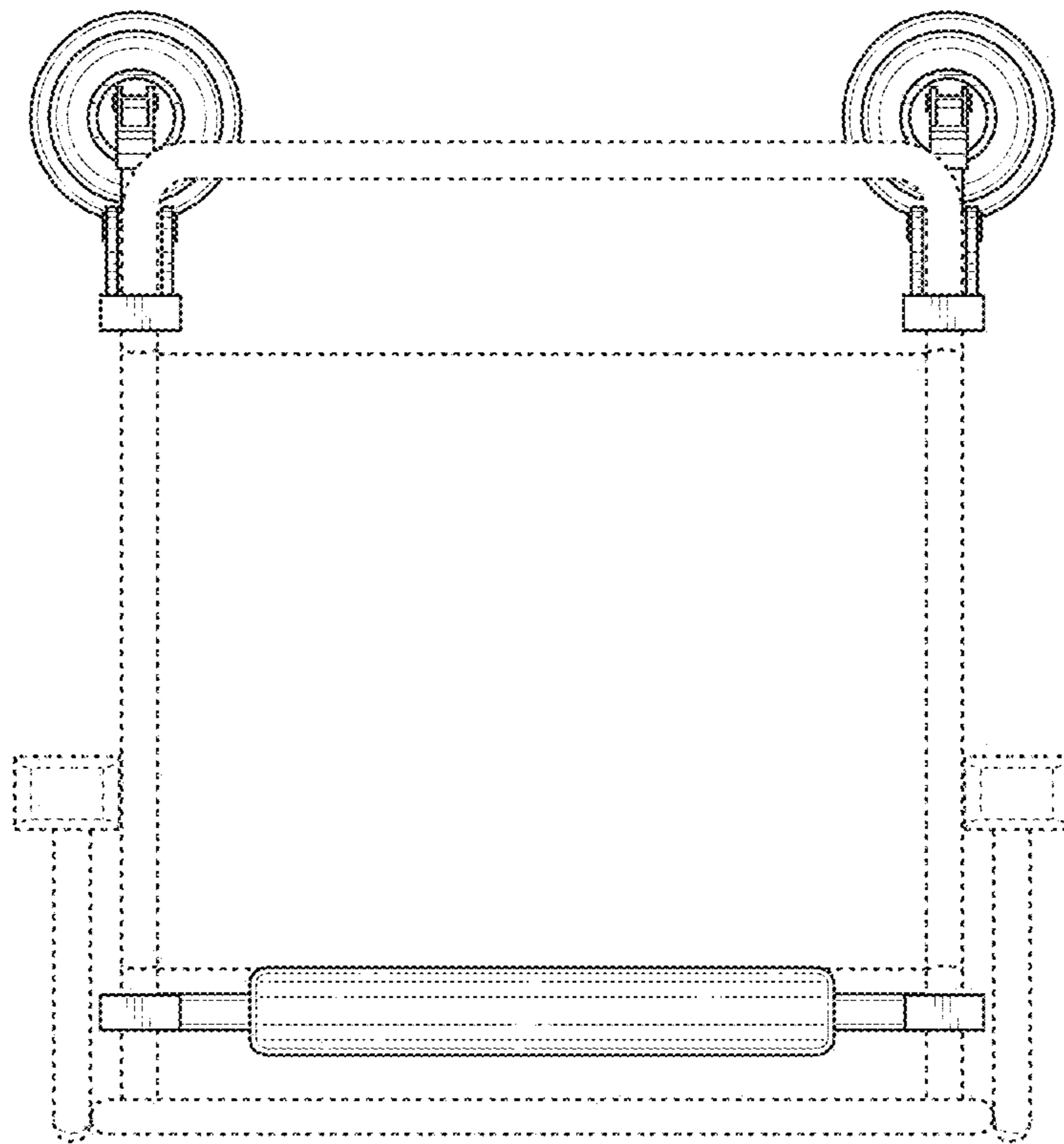


FIG. 5

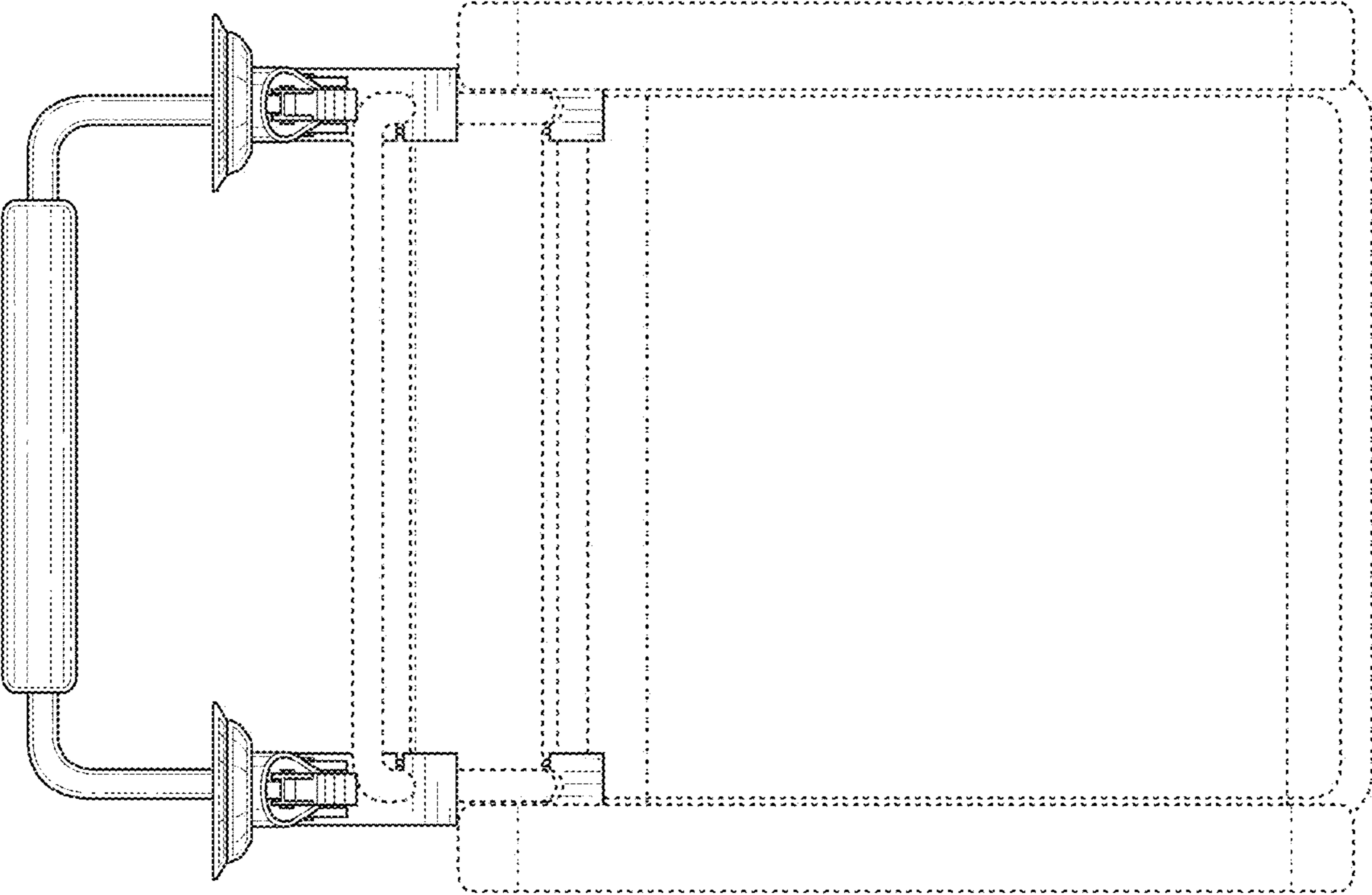


FIG. 6

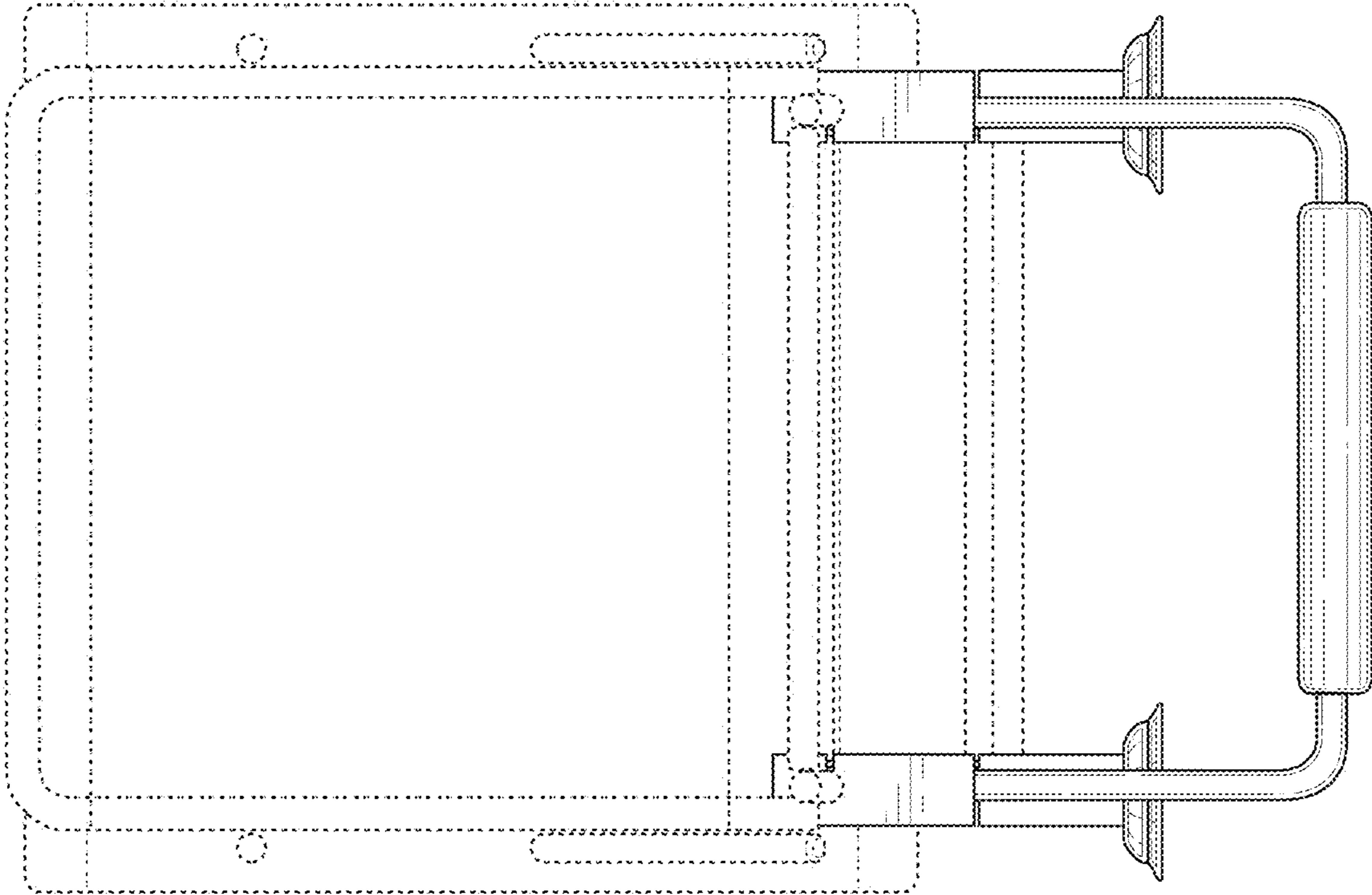


FIG. 7