



US00D896153S

(12) **United States Design Patent**
Hoste

(10) **Patent No.:** **US D896,153 S**

(45) **Date of Patent:** **** Sep. 15, 2020**

(54) **AUTOMOBILE WHEEL**

(71) Applicant: **Paul Hoste**, White Lake, MI (US)

(72) Inventor: **Paul Hoste**, White Lake, MI (US)

(73) Assignee: **FCA US LLC**, Auburn Hills, MI (US)

(**) Term: **15 Years**

(21) Appl. No.: **29/694,079**

(22) Filed: **Jun. 7, 2019**

(51) **LOC (12) Cl.** **12-16**

(52) **U.S. Cl.**
USPC **D12/209**

(58) **Field of Classification Search**

USPC D12/204–213; D21/563
CPC B60B 7/00; B60B 7/02; B60B 7/04; B60B
7/01; B60B 7/06; B60B 3/02; B60B 3/04;
B60B 3/06; B60B 3/10; B60B 1/00;
B60B 1/08; B60B 1/10; B60B 1/12
See application file for complete search history.

(56) **References Cited**

U.S. PATENT DOCUMENTS

D438,165 S *	2/2001	Echazabal	D12/211
D480,031 S *	9/2003	Mattin	D12/209
D491,128 S *	6/2004	Hall	D12/211
D501,440 S *	2/2005	Pfeiffer	D12/211
D522,429 S *	6/2006	Ishiwata	D12/209
D524,219 S *	7/2006	Scheu	D12/211
D580,335 S *	11/2008	Choi	D12/211
D614,109 S *	4/2010	Tant	D12/211
D614,111 S *	4/2010	Tant	D12/211

D620,421 S *	7/2010	Lamm	D12/209
D668,195 S *	10/2012	Tant	D12/209
D706,699 S *	6/2014	Platto	D12/211
D715,208 S *	10/2014	Grake	D12/204
D723,994 S *	3/2015	Chung	D12/211
D736,130 S *	8/2015	Wheel	D12/209
D749,029 S *	2/2016	Wheel	D12/211
D782,950 S *	4/2017	Hatton	D12/209
D787,406 S *	5/2017	Piscitelli	D12/209
D791,038 S *	7/2017	Piscitelli	D12/209
D792,313 S *	7/2017	Langhals	D12/211
D798,789 S *	10/2017	Kong	D12/211
D800,628 S *	10/2017	Tran	D12/209
D802,509 S *	11/2017	Tran	D12/209
D841,555 S *	2/2019	Ma	D12/209
D847,062 S *	4/2019	Rolfs	D12/209
D852,110 S *	6/2019	Guidry	D12/211
D861,564 S *	10/2019	Dewitt	D12/209

* cited by examiner

Primary Examiner — Stacia A Cadmus

(74) *Attorney, Agent, or Firm* — Ralph E. Smith

(57) **CLAIM**

The ornamental design for an automobile wheel, as shown and described.

DESCRIPTION

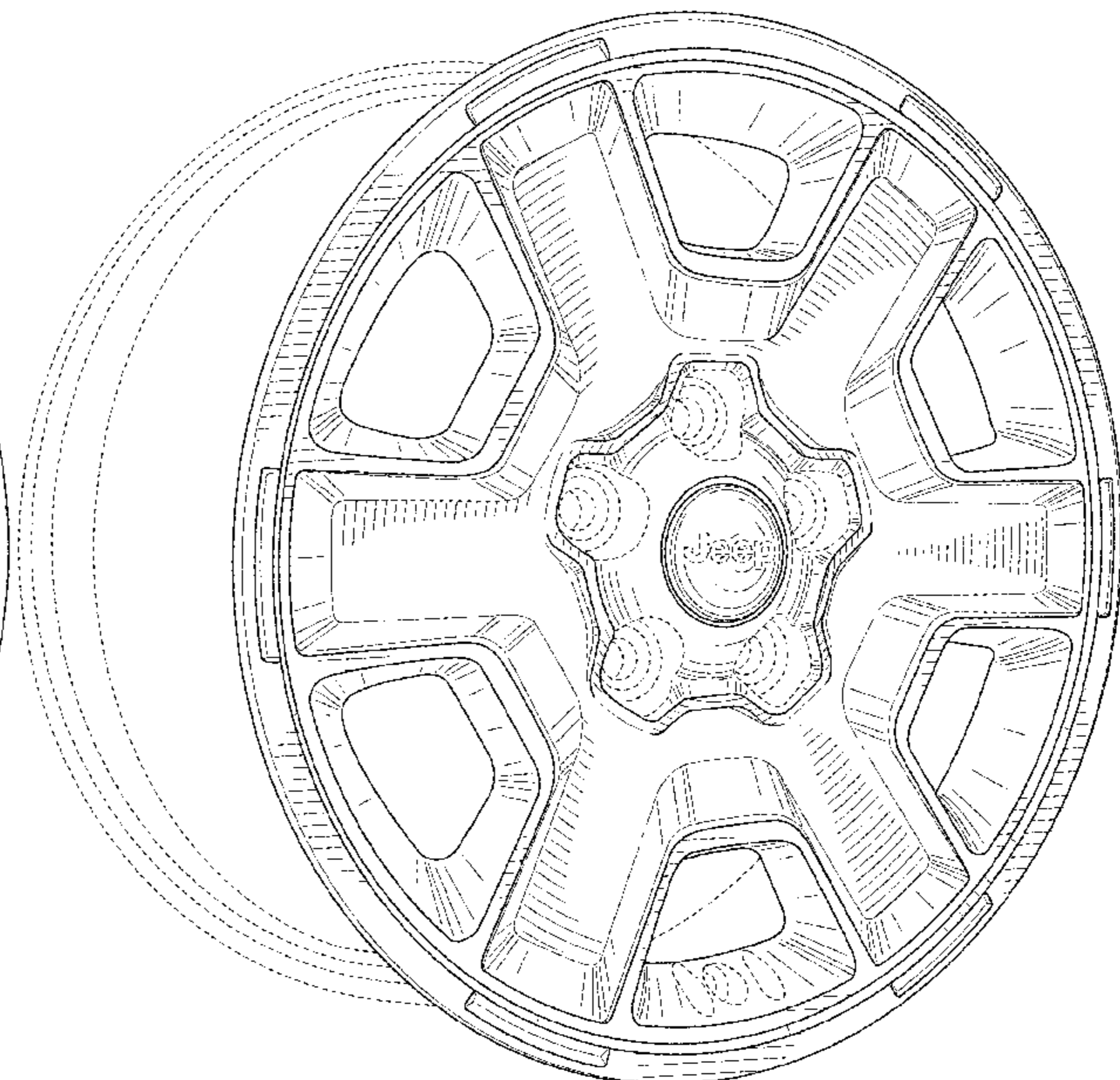
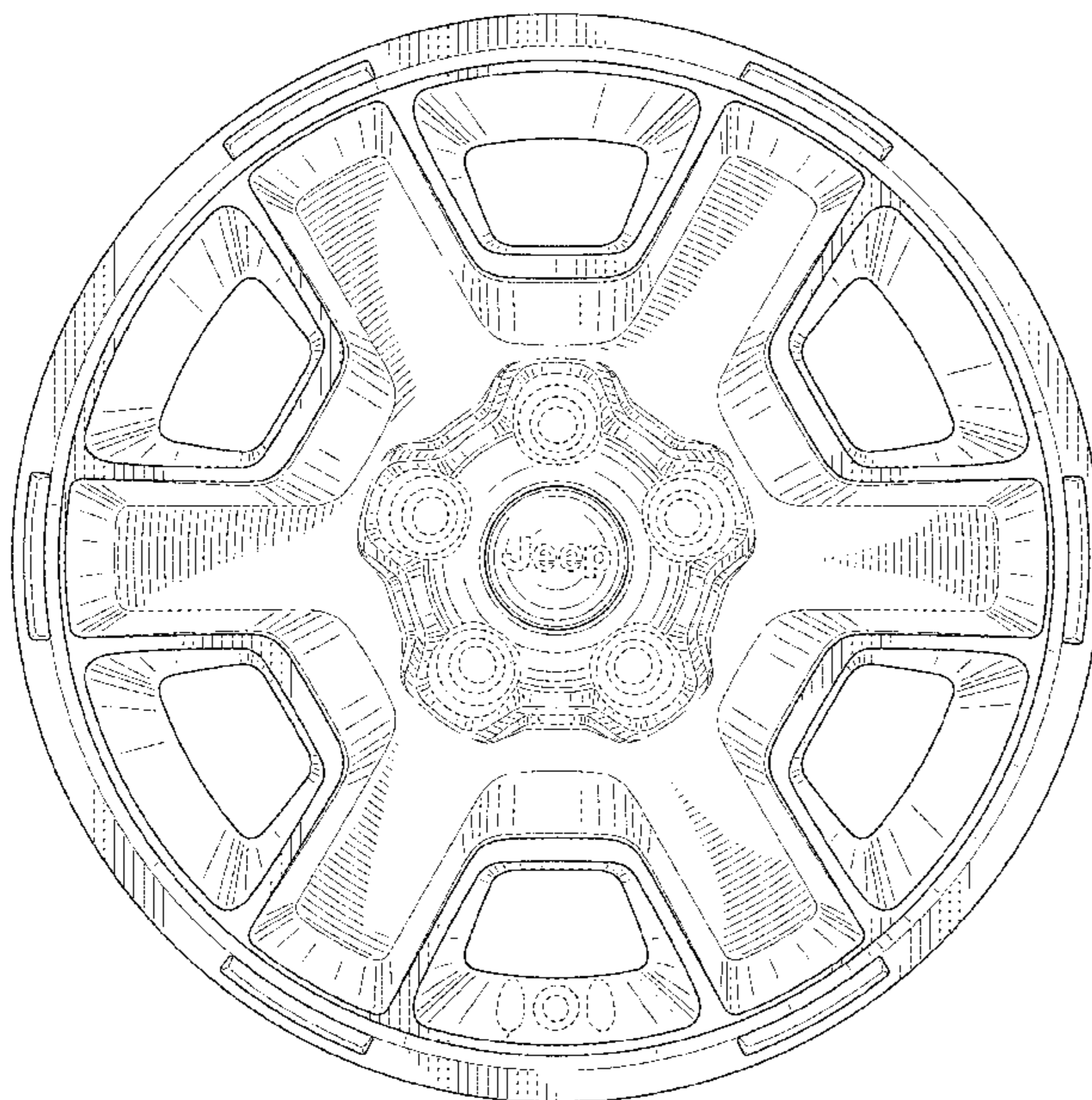
FIG. 1 is a front view of an automobile wheel showing my new design;

FIG. 2 is a right perspective view thereof; and,

FIG. 3 is a left perspective view thereof.

It will be understood that the broken lines shown in the drawings illustrate portions of the automobile wheel that form no part of the claimed design.

1 Claim, 3 Drawing Sheets



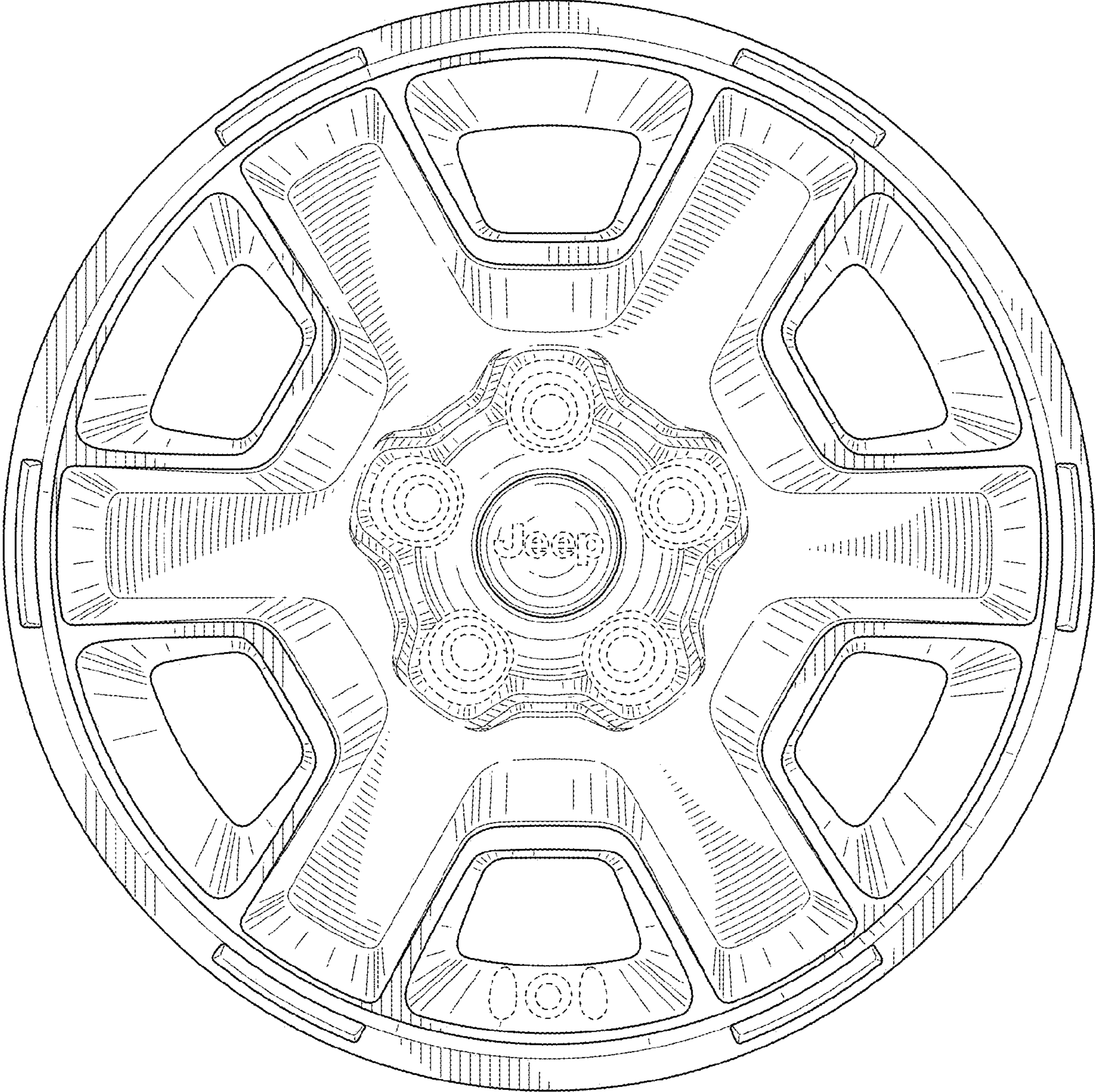


FIG. 1

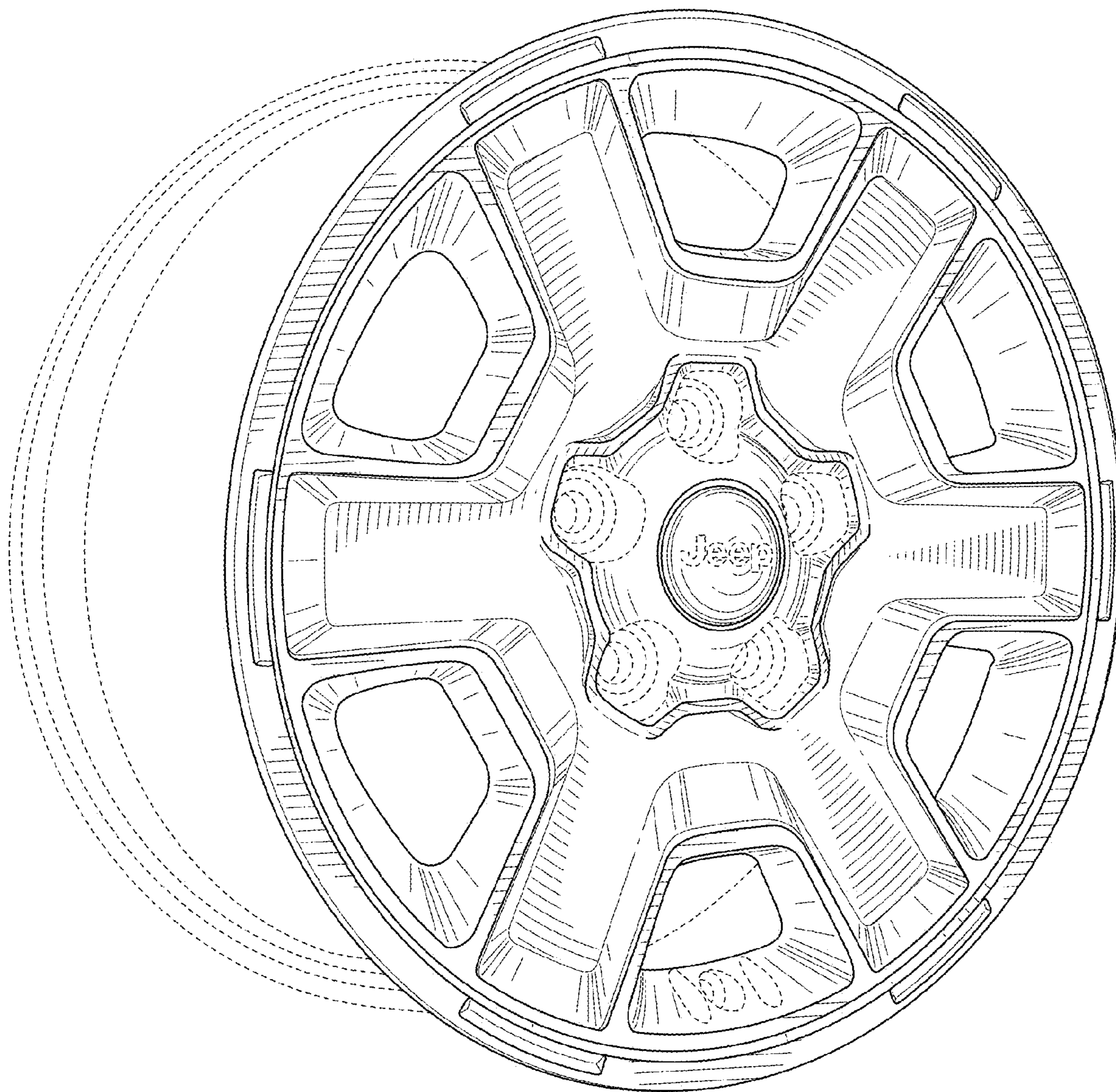


FIG. 2

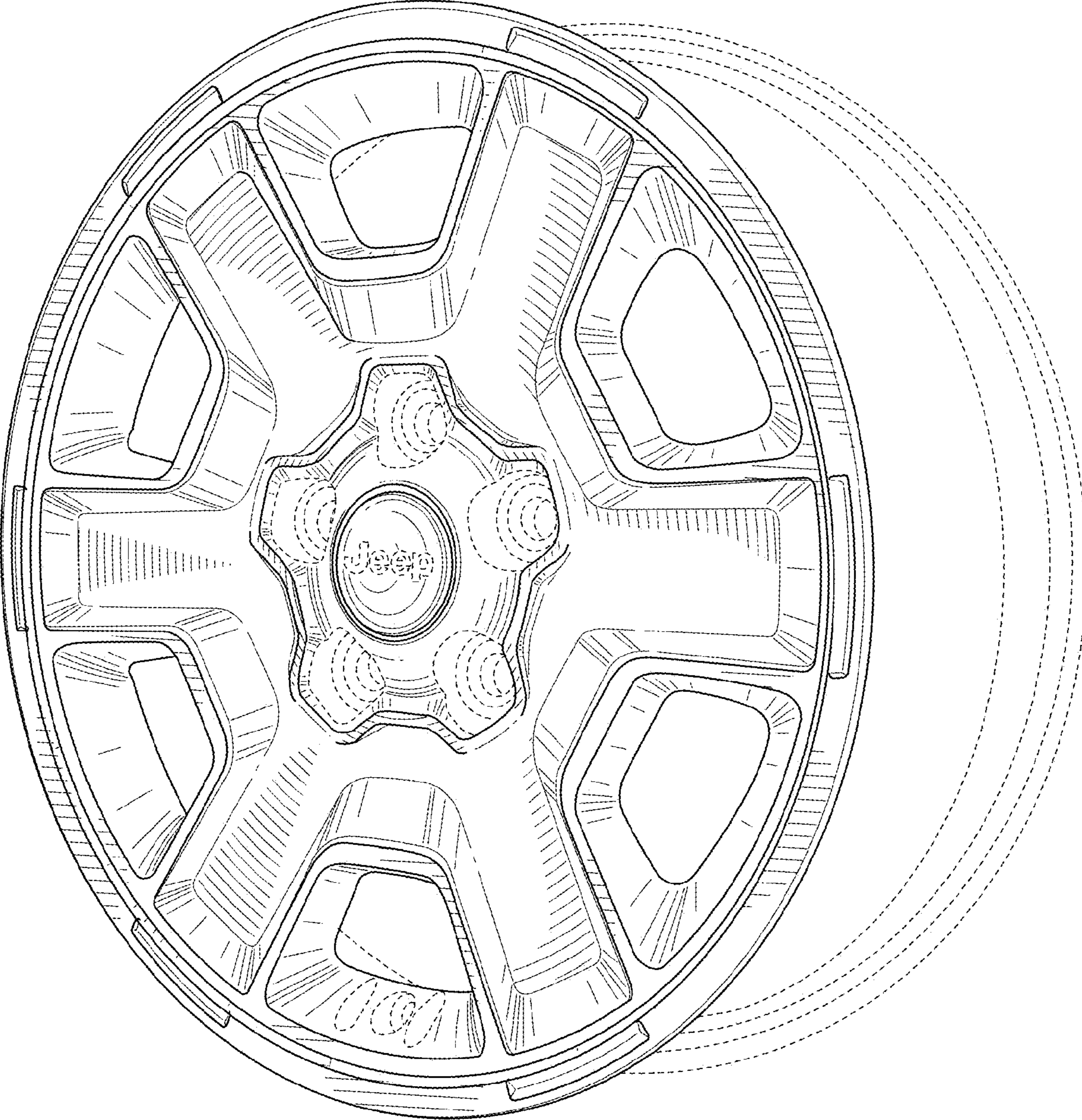


FIG. 3