



US00D896151S

(12) **United States Design Patent**
Piscitelli

(10) **Patent No.:** **US D896,151 S**

(45) **Date of Patent:** **** Sep. 15, 2020**

(54) **WHEEL**

(71) Applicant: **Christopher Piscitelli**, West
Bloomfield, MI (US)

(72) Inventor: **Christopher Piscitelli**, West
Bloomfield, MI (US)

(73) Assignee: **FCA US LLC**, Auburn Hills, MI (US)

(**) Term: **15 Years**

(21) Appl. No.: **29/691,938**

(22) Filed: **May 21, 2019**

(51) **LOC (12) Cl.** **12-16**

(52) **U.S. Cl.**
USPC **D12/209**

(58) **Field of Classification Search**
USPC D12/204–213; D21/563
CPC B60B 7/00; B60B 7/02; B60B 7/04; B60B
7/01; B60B 7/06; B60B 3/02; B60B 3/04;
B60B 3/06; B60B 3/10; B60B 1/00;
B60B 1/08; B60B 1/10; B60B 1/12
See application file for complete search history.

(56) **References Cited**

U.S. PATENT DOCUMENTS

D470,449 S * 2/2003 Bernoni D12/211
D504,650 S * 5/2005 Ishiwata D12/209

D525,927 S * 8/2006 Pfeiffer D12/209
D617,247 S * 6/2010 Gallert D12/209
D620,864 S * 8/2010 Groom D12/209
D704,116 S * 5/2014 Chung D12/209
D730,796 S * 6/2015 Dingle D12/209
D772,131 S * 11/2016 Wheel D12/209
D845,861 S * 4/2019 Tran D12/209
D856,893 S * 8/2019 Ramthun D12/209
D883,886 S * 5/2020 Sempek D12/209

* cited by examiner

Primary Examiner — Stacia A Cadmus

(74) *Attorney, Agent, or Firm* — Ralph E. Smith

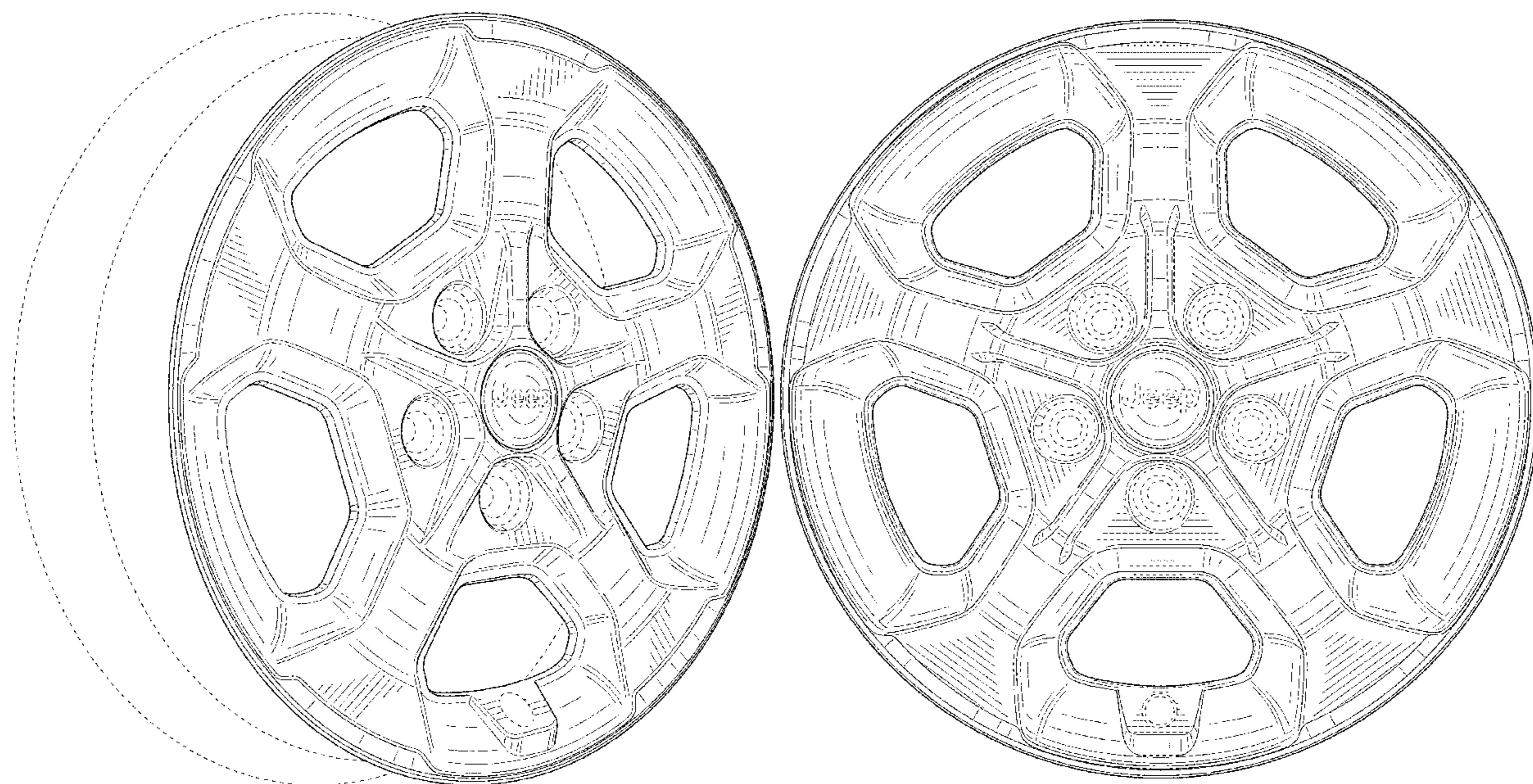
(57) **CLAIM**

The ornamental design for a wheel, as shown and described.

DESCRIPTION

FIG. 1 is a right perspective view of a wheel showing my new design;
FIG. 2 is a left perspective view thereof; and,
FIG. 3 is a front view thereof.
It will be understood that the broken lines shown in the drawings illustrate portions of the wheel that form no part of the claimed design.

1 Claim, 3 Drawing Sheets



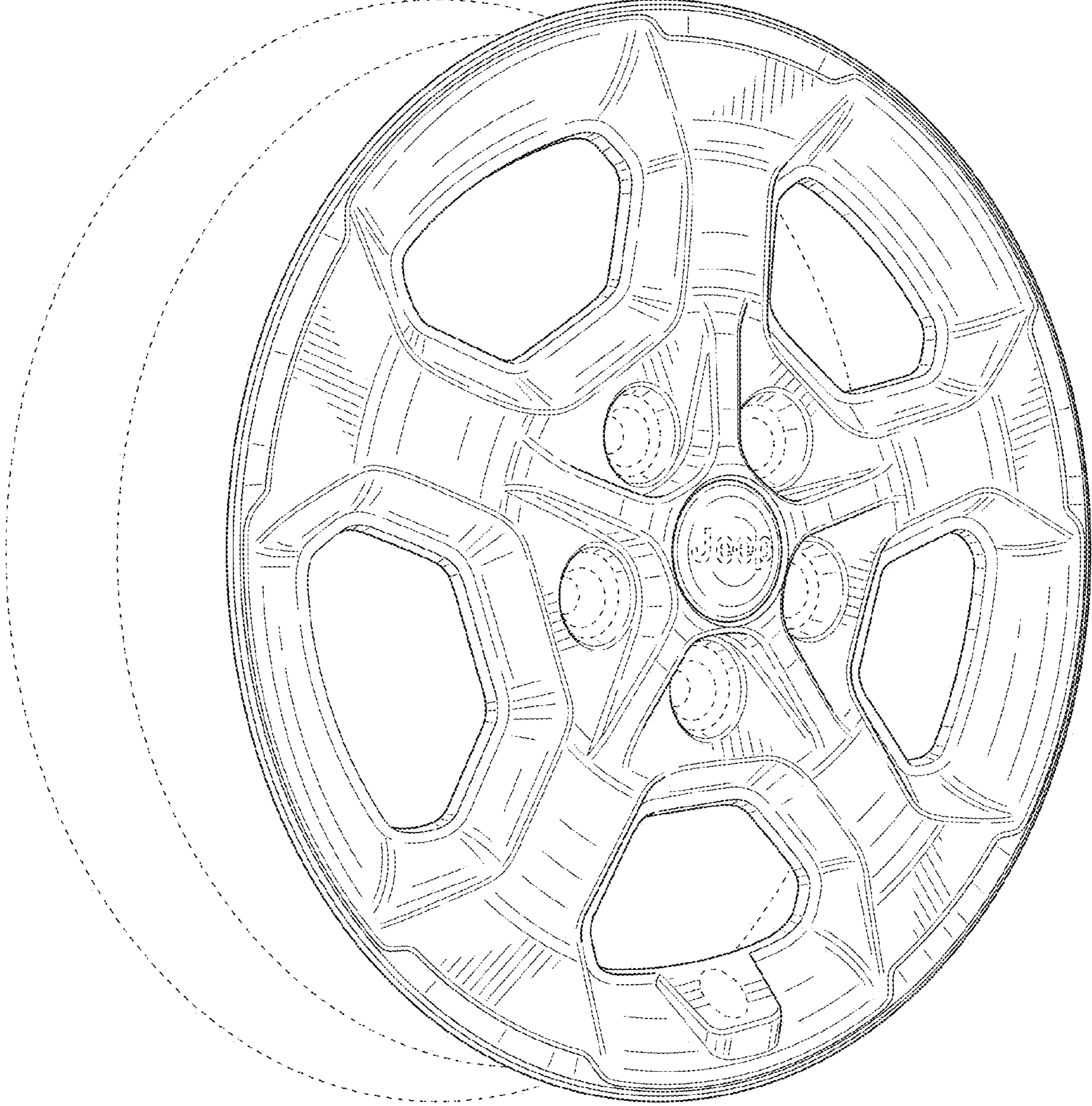


FIG. 1

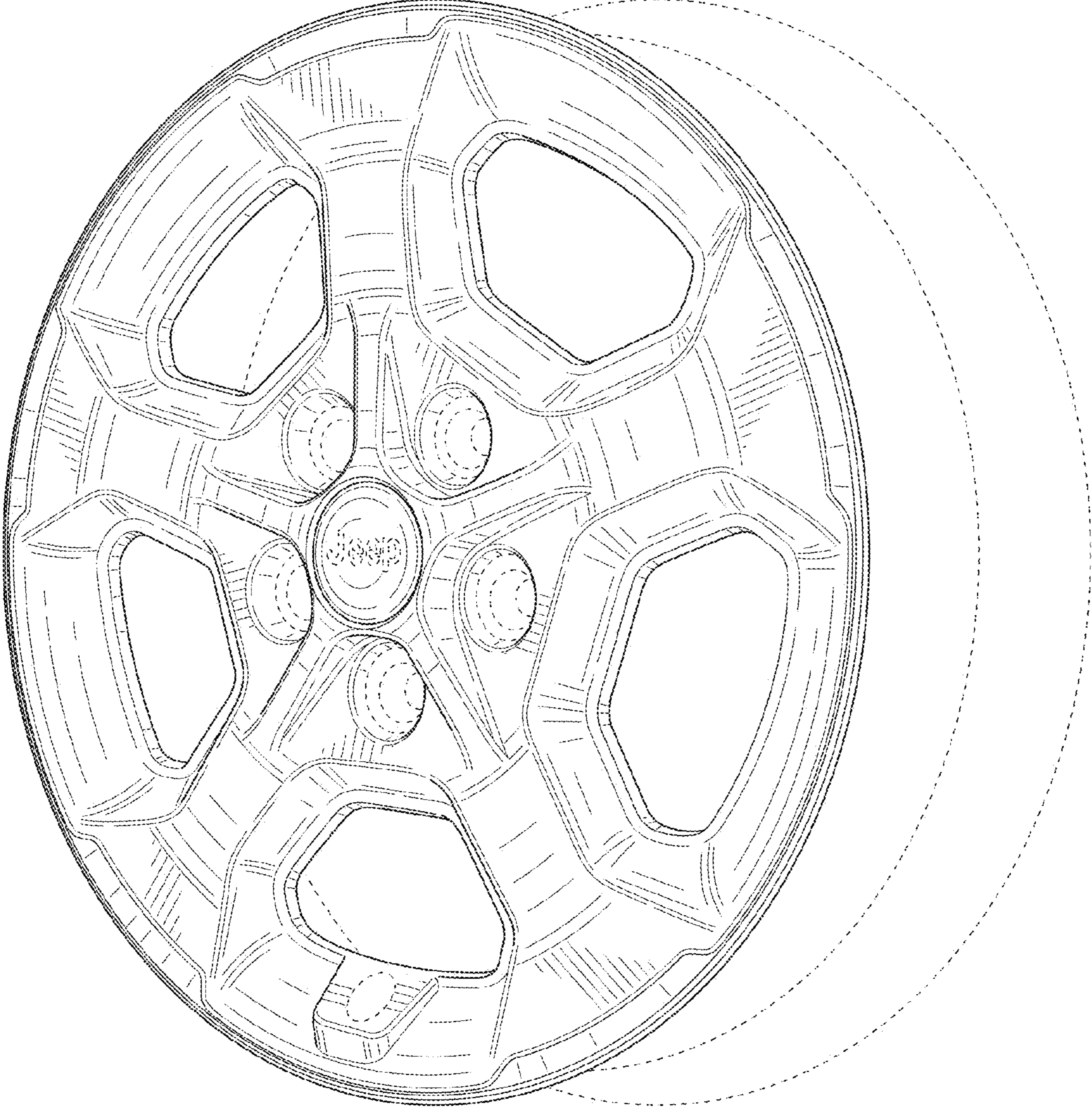


FIG. 2

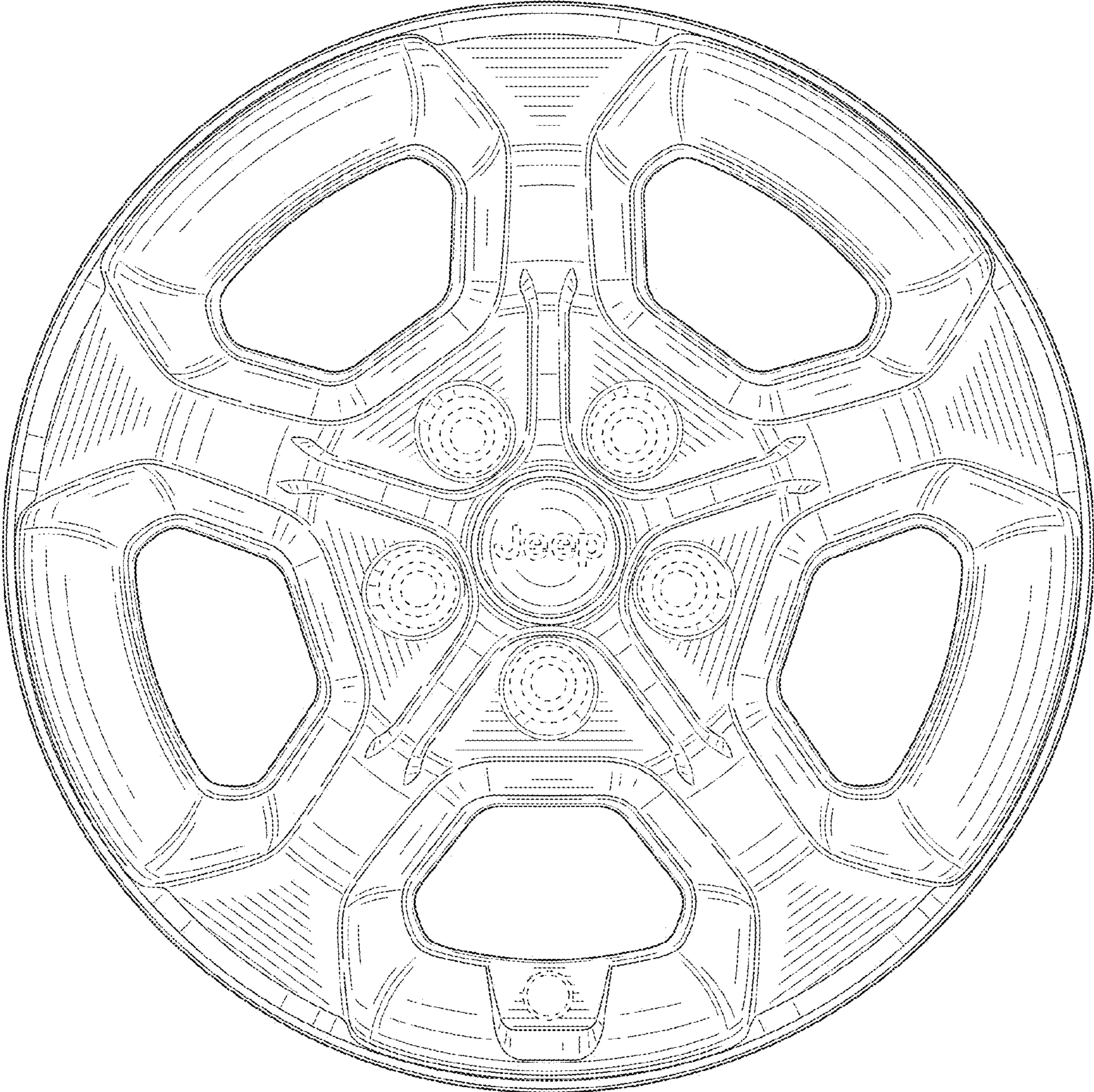


FIG. 3