



US00D896150S

(12) **United States Design Patent**
Koo

(10) **Patent No.:** **US D896,150 S**

(45) **Date of Patent:** **** Sep. 15, 2020**

(54) **WHEEL**

(71) Applicant: **HONDA MOTOR CO., LTD.**, Tokyo (JP)

(72) Inventor: **Jaryong Koo**, Gardena, CA (US)

(73) Assignee: **HONDA MOTOR CO., LTD.**, Tokyo (JP)

(**) Term: **15 Years**

(21) Appl. No.: **29/689,603**

(22) Filed: **Apr. 30, 2019**

(51) **LOC (12) Cl.** **12-16**

(52) **U.S. Cl.**
USPC **D12/209**

(58) **Field of Classification Search**
USPC D12/204–213; D21/563
CPC B60B 7/00; B60B 7/02; B60B 7/04; B60B 7/01; B60B 7/06; B60B 3/02; B60B 3/04; B60B 3/06; B60B 3/10; B60B 1/00; B60B 1/08; B60B 1/10; B60B 1/12
See application file for complete search history.

(56) **References Cited**

U.S. PATENT DOCUMENTS

D591,661 S *	5/2009	Baum	D12/209
D622,202 S *	8/2010	Zhao	D12/211
D634,689 S *	3/2011	Futschik	D12/211
D643,794 S *	8/2011	Elmitt	D12/211
D668,197 S *	10/2012	Gotschke	D12/211
D683,685 S *	6/2013	Pollmann	D12/211
D727,828 S *	4/2015	Amezqueta	D12/211
D741,773 S *	10/2015	Juergens	D12/211
D760,636 S *	7/2016	Kolb	D12/211
D790,429 S *	6/2017	Juergens	D12/211
D791,034 S *	7/2017	Rueckheim	D12/209

D794,531 S *	8/2017	Zhao	D12/211
D803,128 S *	11/2017	Svensson	D12/209
D824,318 S *	7/2018	Wheel	D12/211
D840,316 S *	2/2019	Battams	D12/209
D846,472 S *	4/2019	Tomasson	D12/209
D852,713 S *	7/2019	Khachatryan	D12/211
D857,589 S *	8/2019	Valencia Pollex	D12/209
D865,618 S *	11/2019	O'Neill	D12/209
D867,962 S *	11/2019	Battams	D12/209
D881,781 S *	4/2020	Tomasson	D12/209

* cited by examiner

Primary Examiner — Stacia A Cadmus

(74) *Attorney, Agent, or Firm* — Arent Fox LLP

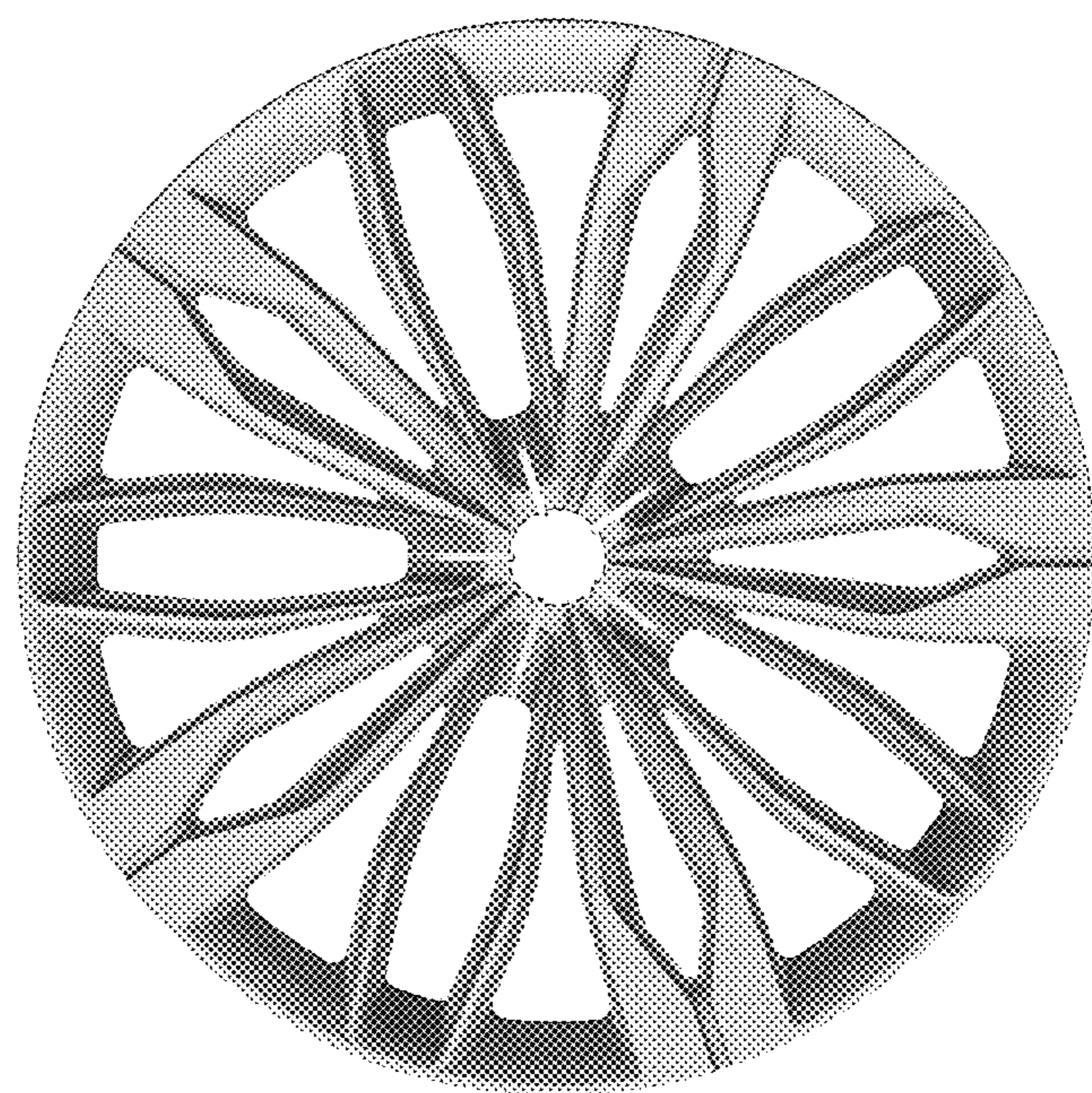
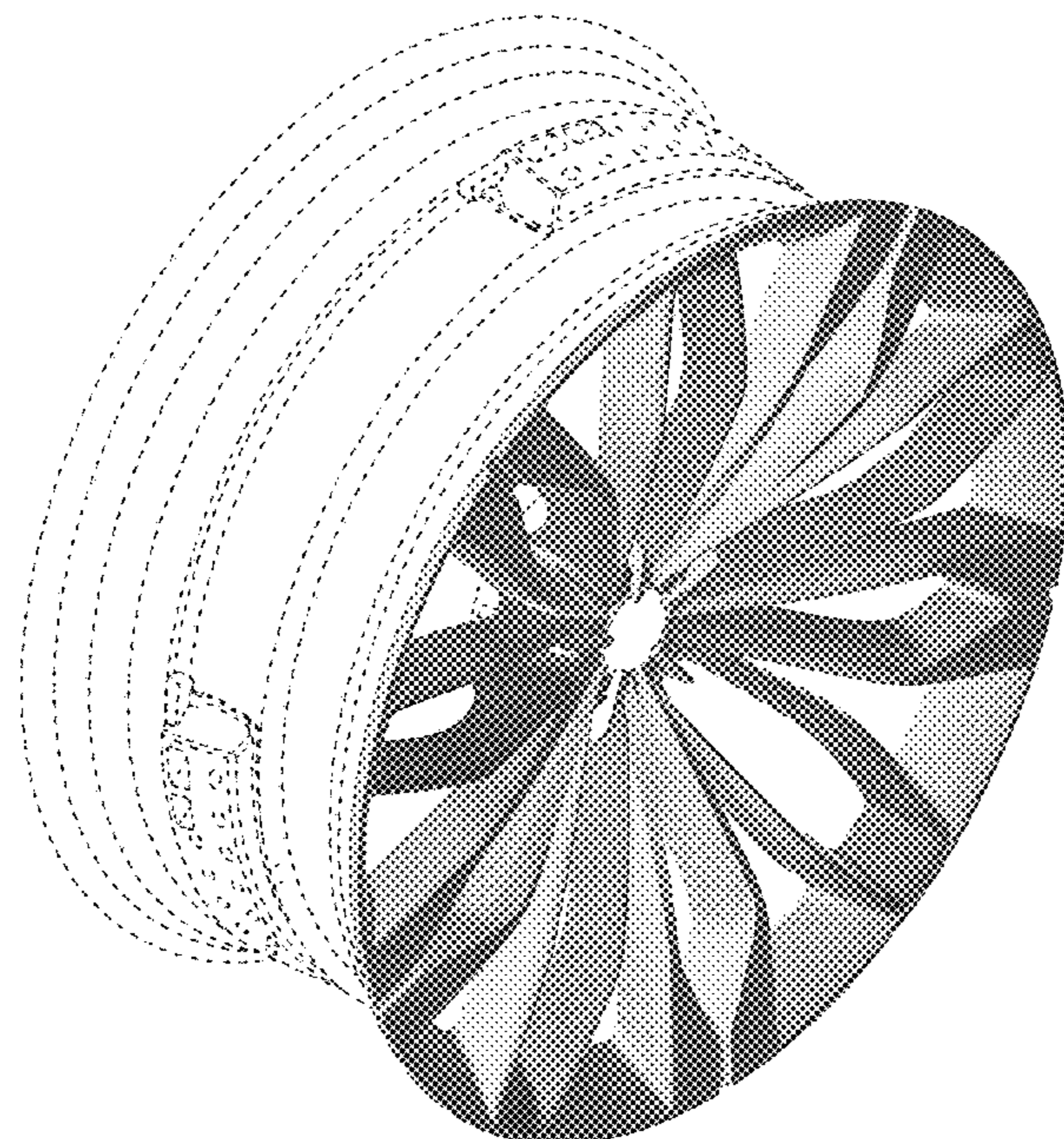
(57) **CLAIM**

The ornamental design for a wheel, as shown and described.

DESCRIPTION

FIG. 1 is a front left perspective view of a wheel showing my new design;
 FIG. 2 is a rear left perspective view of the design shown in FIG. 1;
 FIG. 3 is a rear right perspective view of the design shown in FIG. 1;
 FIG. 4 is a front right perspective view of the design shown in FIG. 1;
 FIG. 5 is a front view of the design shown in FIG. 1;
 FIG. 6 is a rear view of the design shown in FIG. 1;
 FIG. 7 is a left side view of the design shown in FIG. 1;
 FIG. 8 is a right side view of the design shown in FIG. 1;
 FIG. 9 is a top view of the design shown in FIG. 1; and,
 FIG. 10 is a bottom view of the design shown in FIG. 1.
 The broken lines shown in the figures are included for the purpose of illustrating portions of the wheel and form no part of the claimed design.

1 Claim, 10 Drawing Sheets



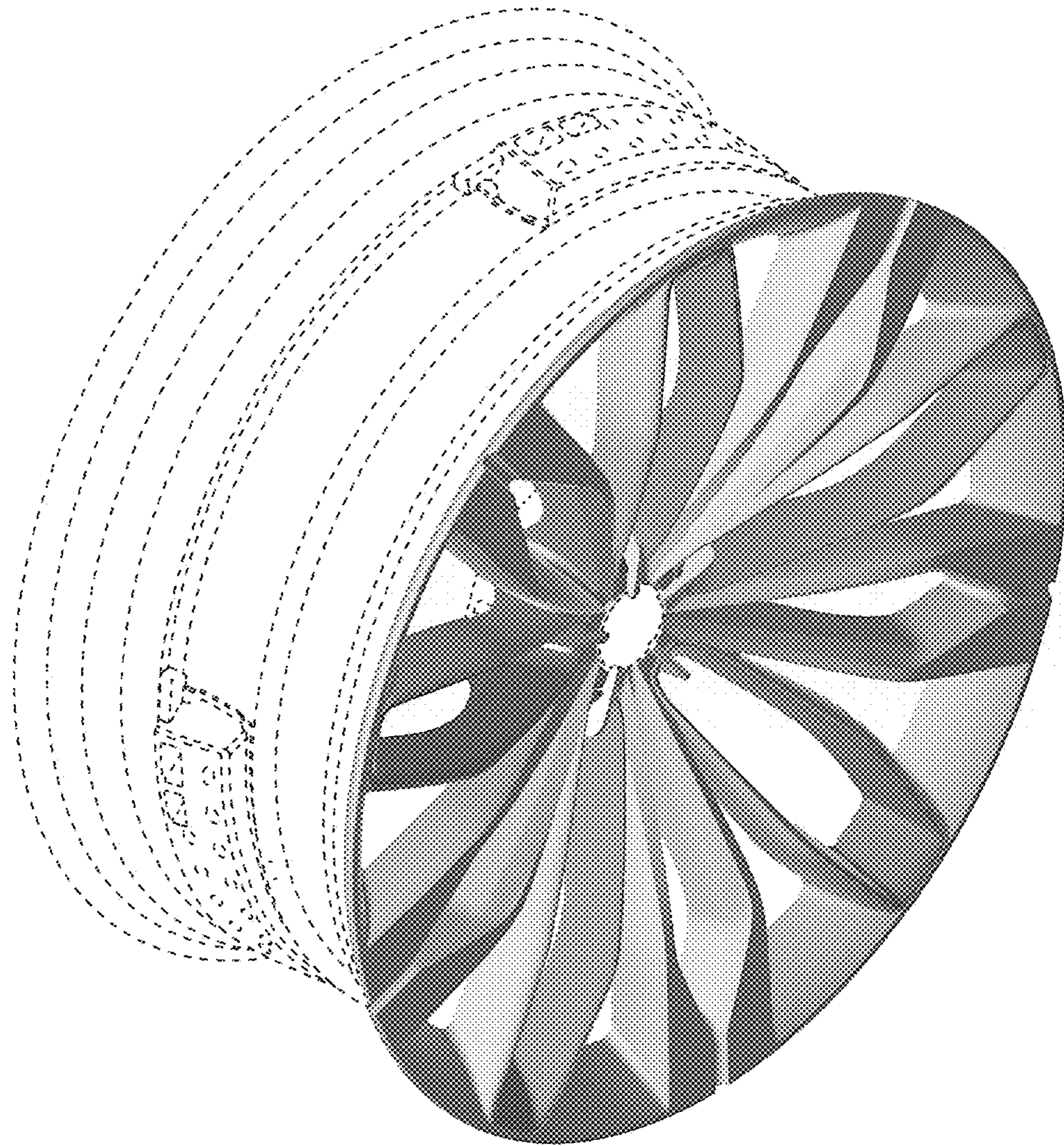


FIG. 1

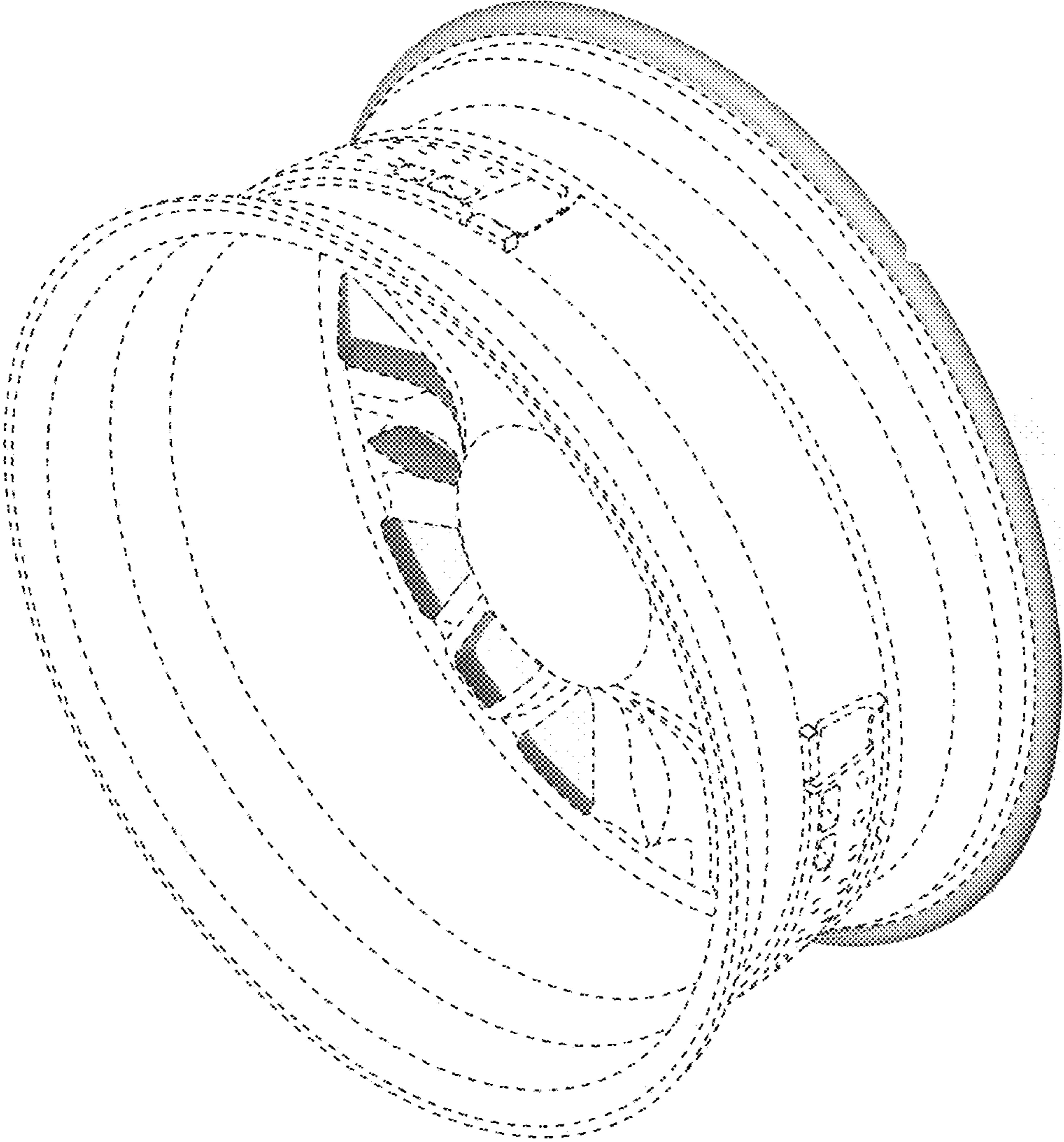


FIG. 2

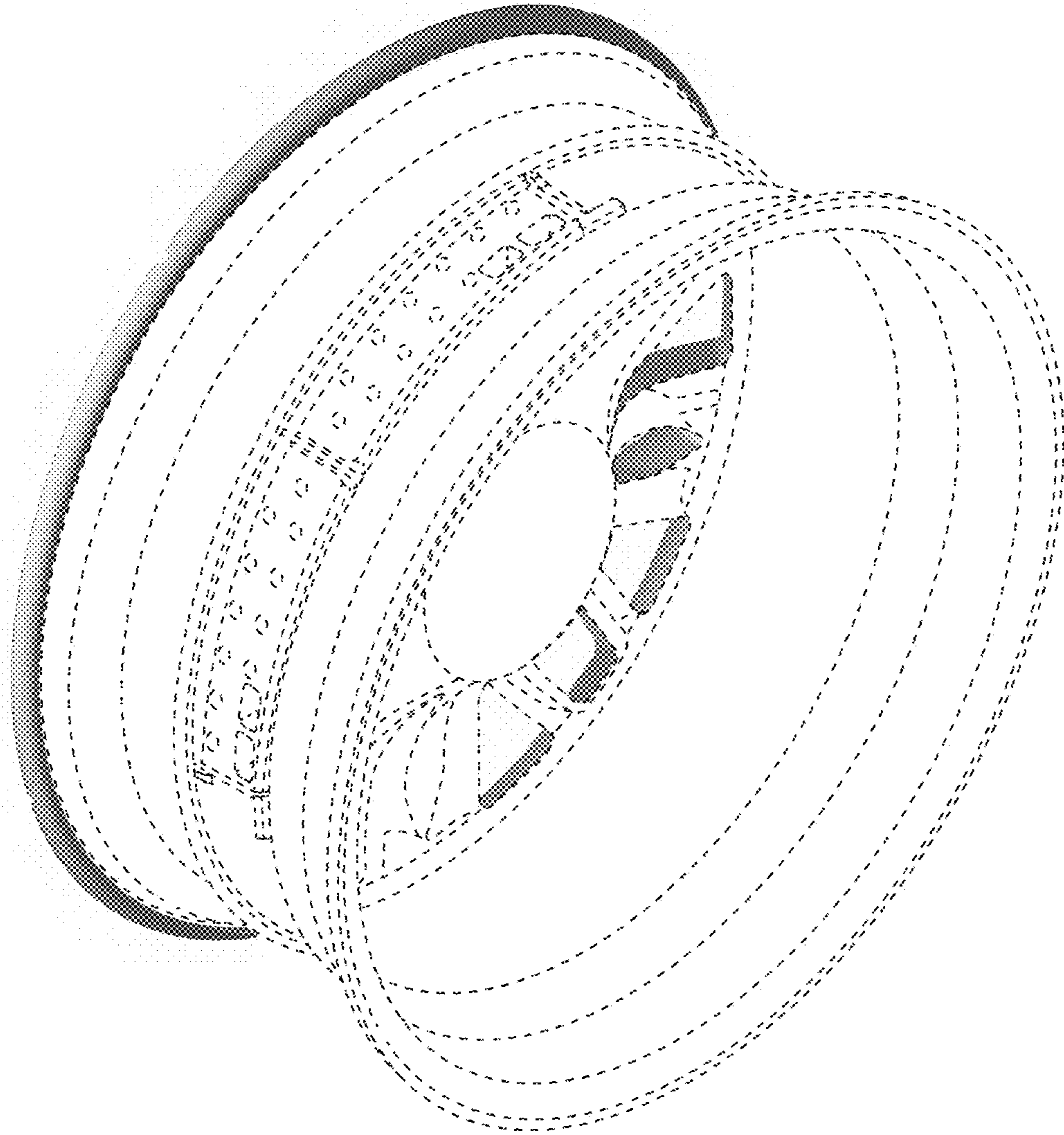


FIG. 3

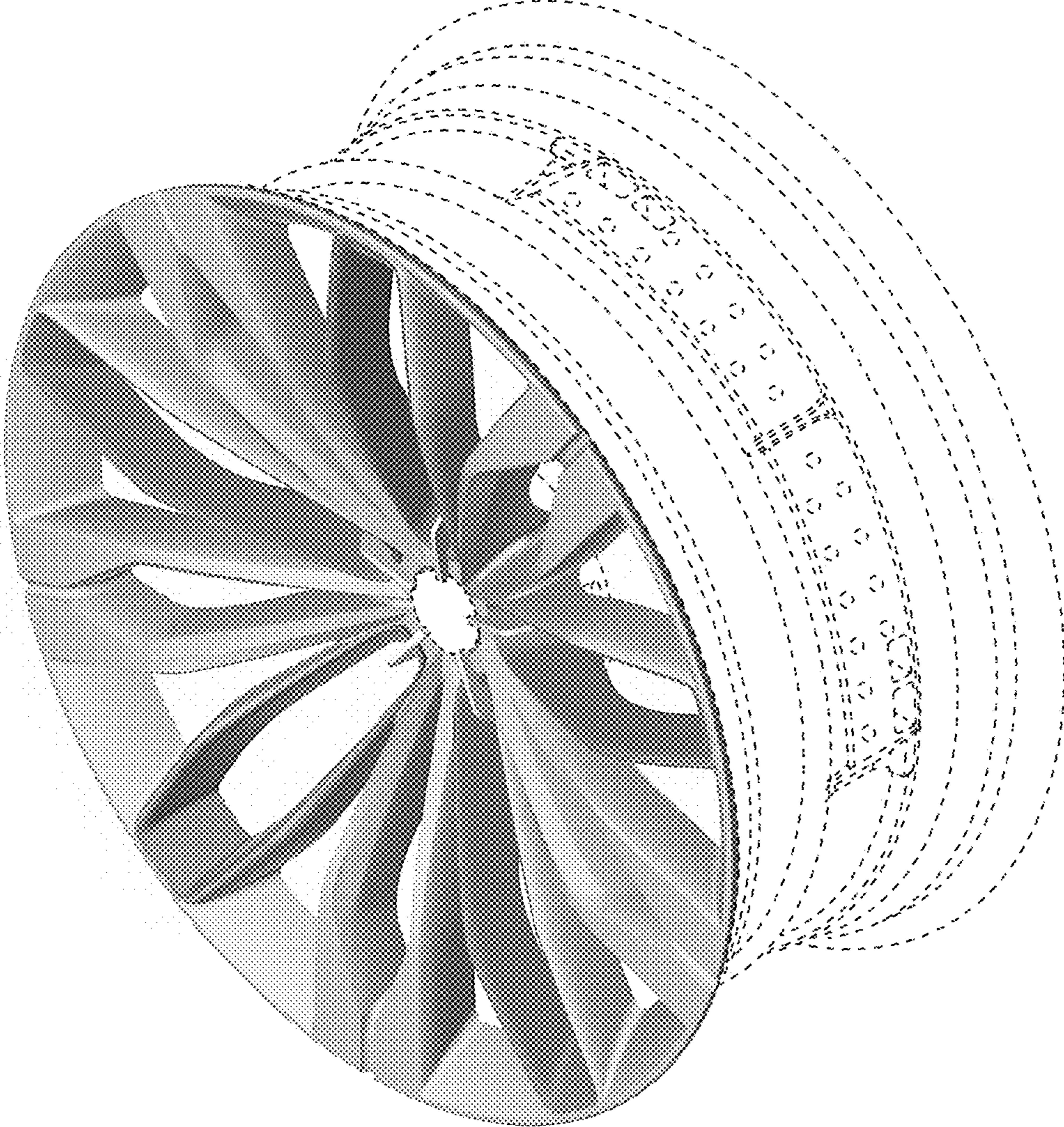


FIG. 4



FIG. 5

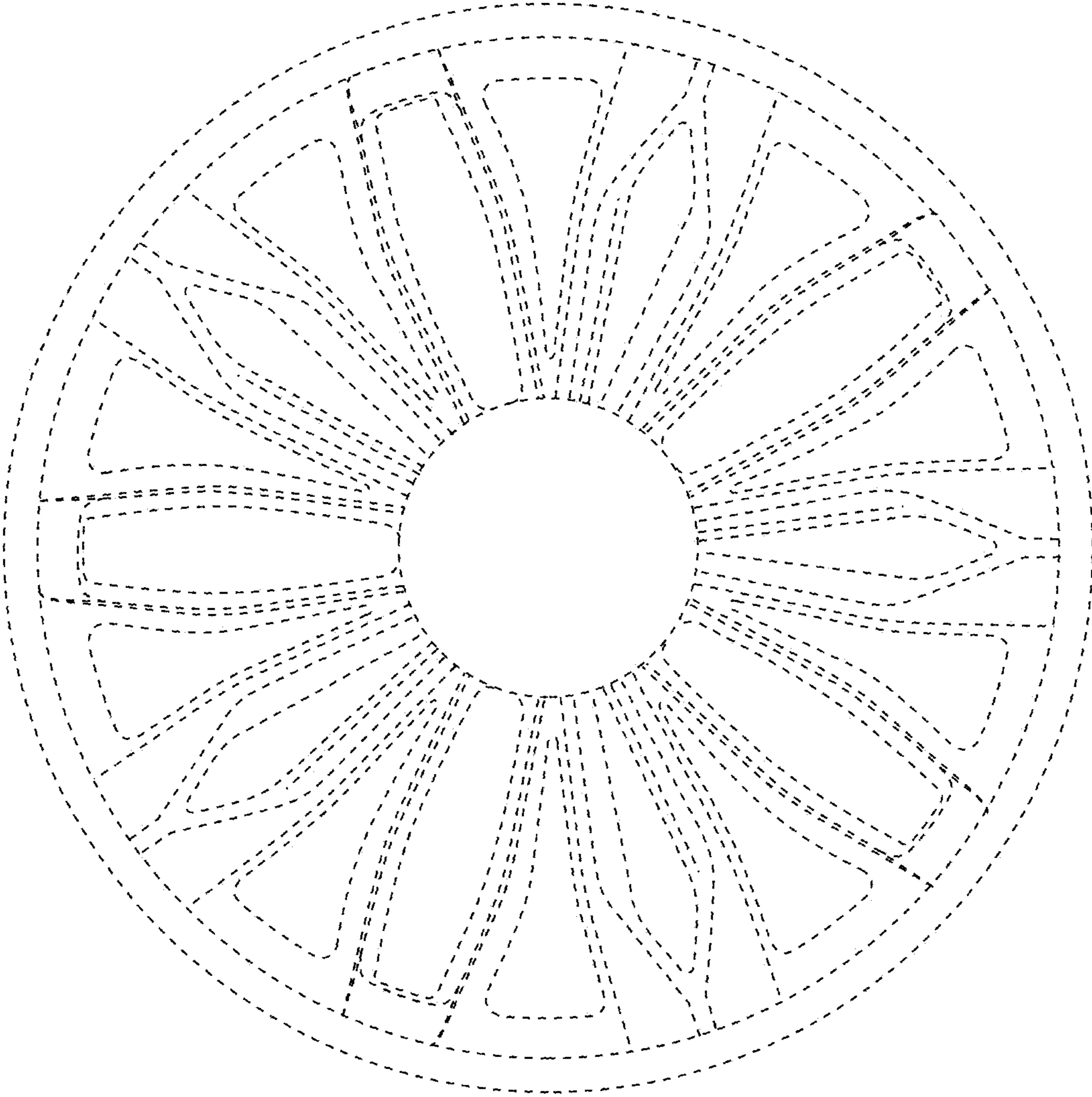


FIG. 6

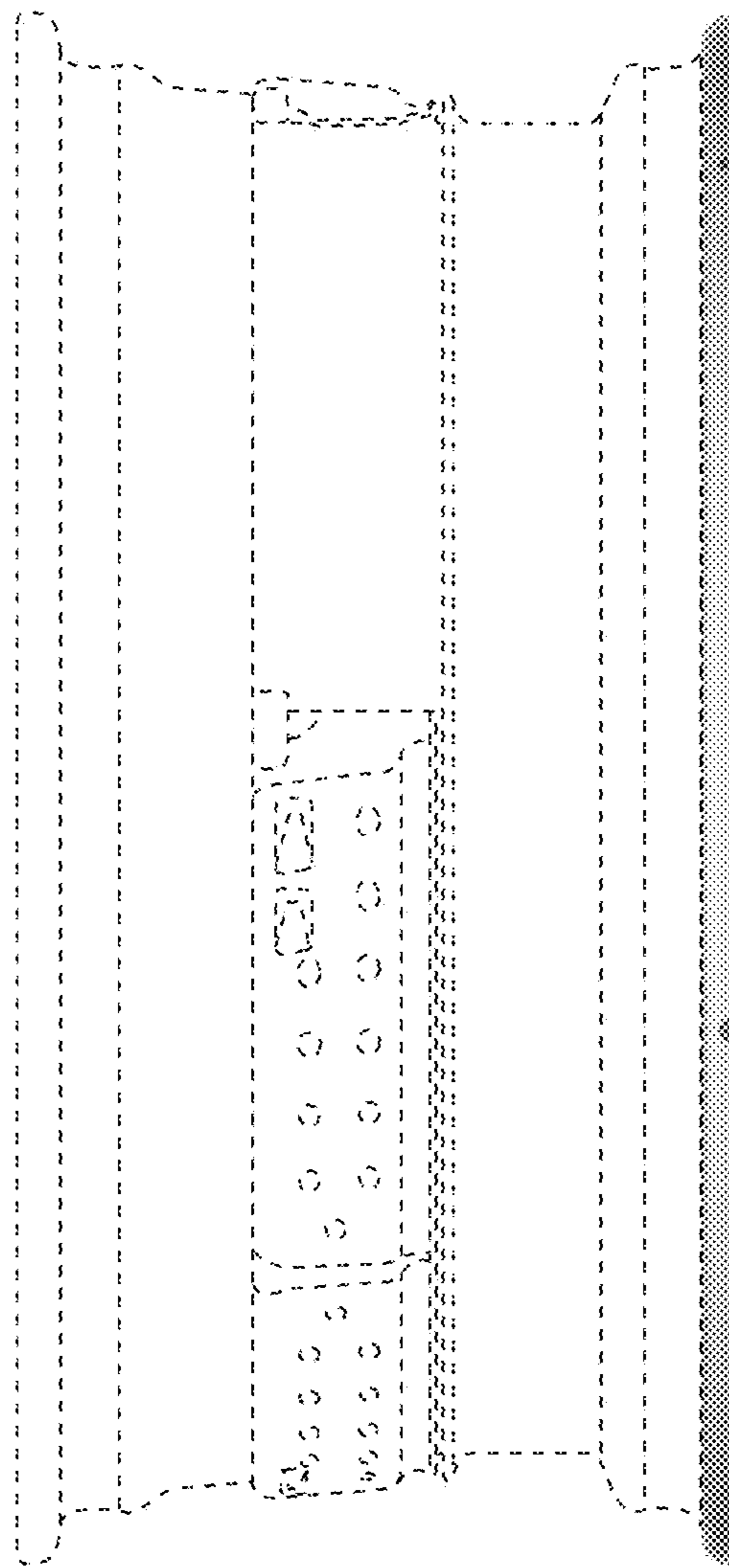


FIG. 7

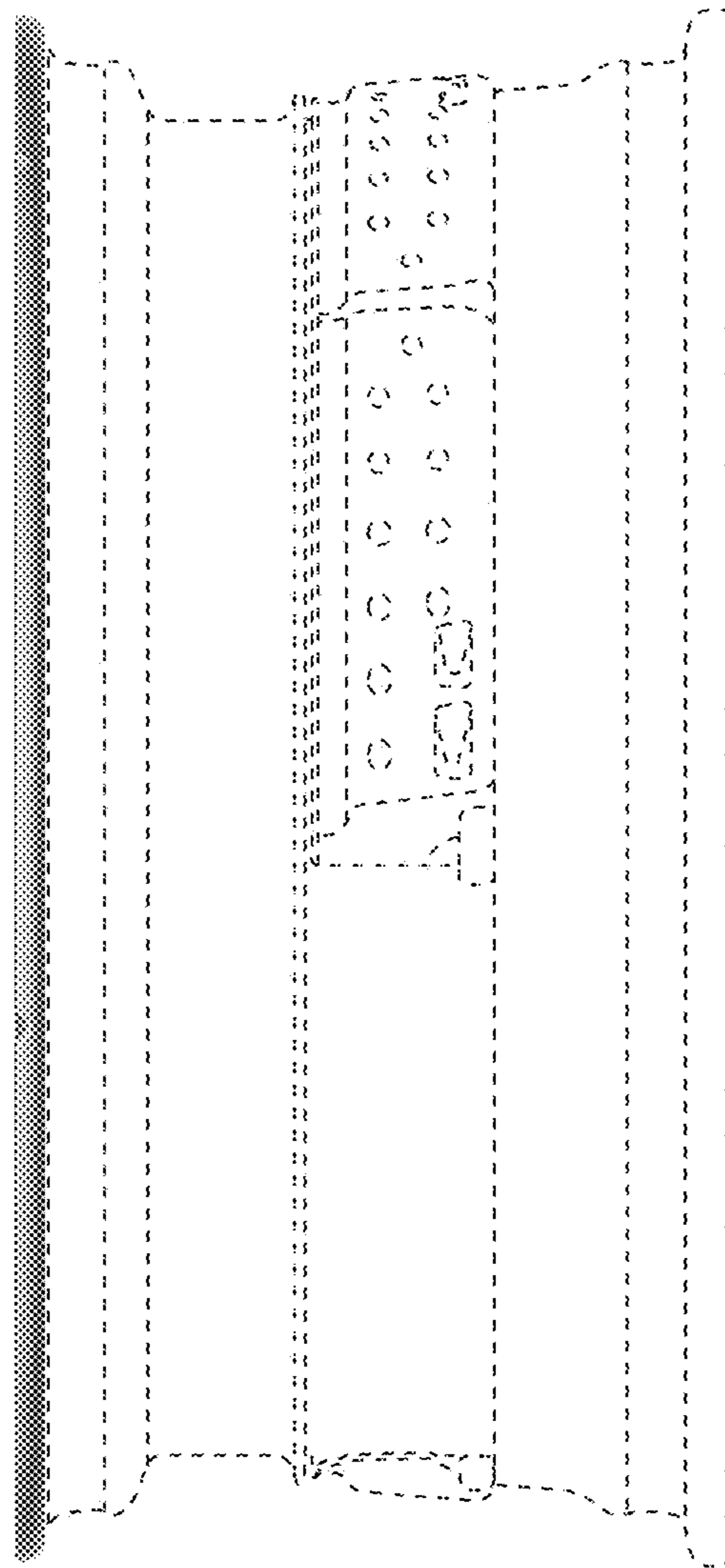


FIG. 8

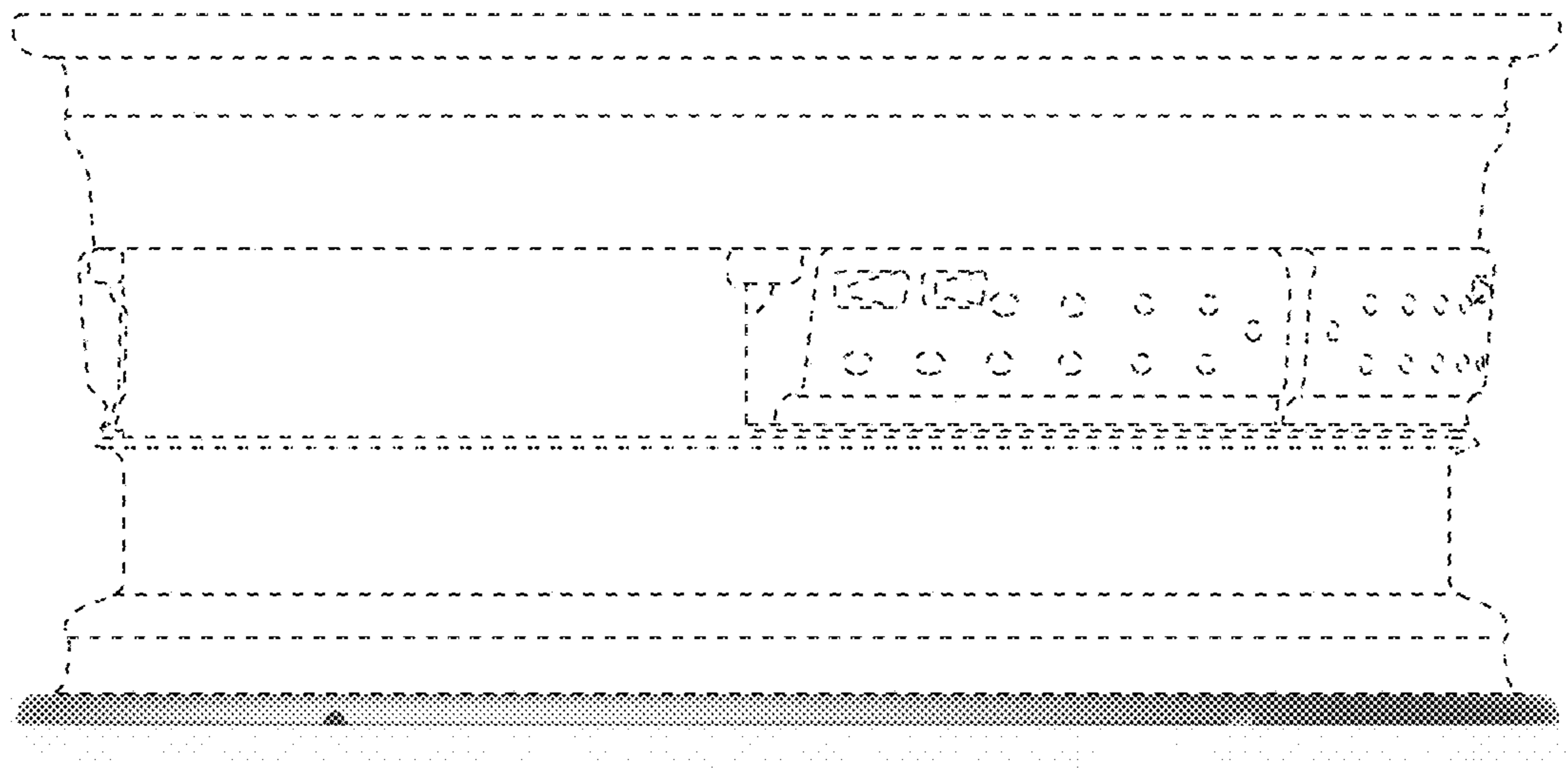


FIG. 9

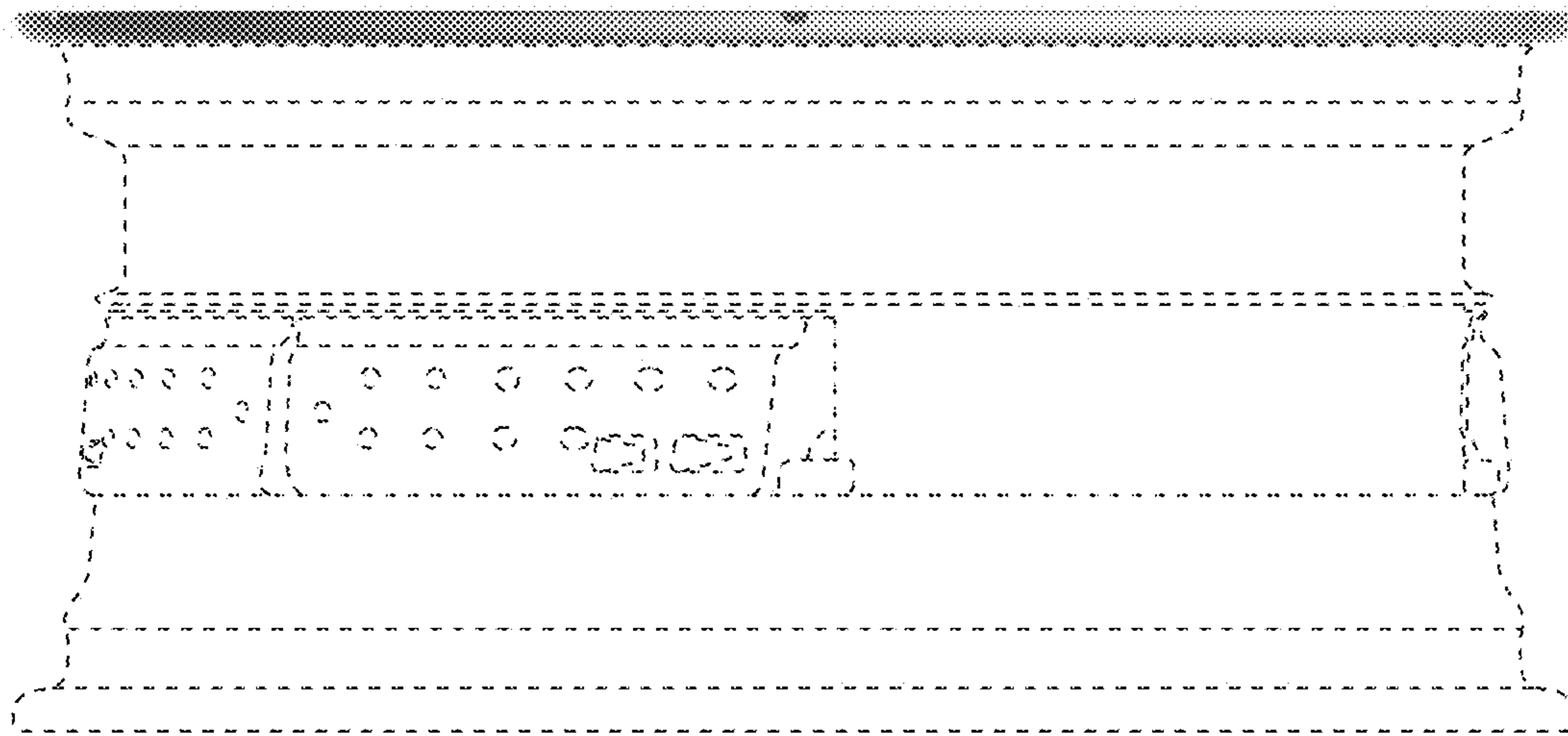


FIG. 10