



US00D896149S

(12) **United States Design Patent**
Scott et al.

(10) **Patent No.:** **US D896,149 S**

(45) **Date of Patent:** **** Sep. 15, 2020**

(54) **WHEEL**

(71) Applicants: **Everard J. Scott**, Sterling Heights, MI (US); **Gregory A. Howell**, Farmington, MI (US)

(72) Inventors: **Everard J. Scott**, Sterling Heights, MI (US); **Gregory A. Howell**, Farmington, MI (US)

(73) Assignee: **FCA US LLC**, Auburn Hills, MI (US)

(**) Term: **15 Years**

(21) Appl. No.: **29/679,573**

(22) Filed: **Feb. 7, 2019**

(51) **LOC (12) Cl.** **12-16**

(52) **U.S. Cl.**
USPC **D12/209**

(58) **Field of Classification Search**
USPC D12/204–213; D21/563
CPC B60B 7/00; B60B 7/02; B60B 7/04; B60B 7/01; B60B 7/06; B60B 3/02; B60B 3/04; B60B 3/06; B60B 3/10; B60B 1/00; B60B 1/08; B60B 1/10; B60B 1/12
See application file for complete search history.

(56) **References Cited**

U.S. PATENT DOCUMENTS

D412,693 S * 8/1999 Kulla D12/211
D493,405 S * 7/2004 Boyer D12/211

D499,681 S * 12/2004 Boyer D12/209
D554,034 S * 10/2007 Madden D12/209
D617,247 S * 6/2010 Gallert D12/209
D620,872 S * 8/2010 Juergens D12/211
D627,698 S * 11/2010 Zhang D12/209
D636,319 S * 4/2011 Toth D12/211
D636,715 S * 4/2011 De Bono D12/209
D643,793 S * 8/2011 Juergens D12/209
D721,027 S * 1/2015 Mays D12/209
D725,567 S * 3/2015 George D12/209
D735,103 S * 7/2015 Lemke D12/209
D770,959 S * 11/2016 Chung D12/211
D800,045 S * 10/2017 Taylor D12/211
D871,297 S * 12/2019 Myrberg D12/209

* cited by examiner

Primary Examiner — Stacia A Cadmus

(74) *Attorney, Agent, or Firm* — Ralph E. Smith

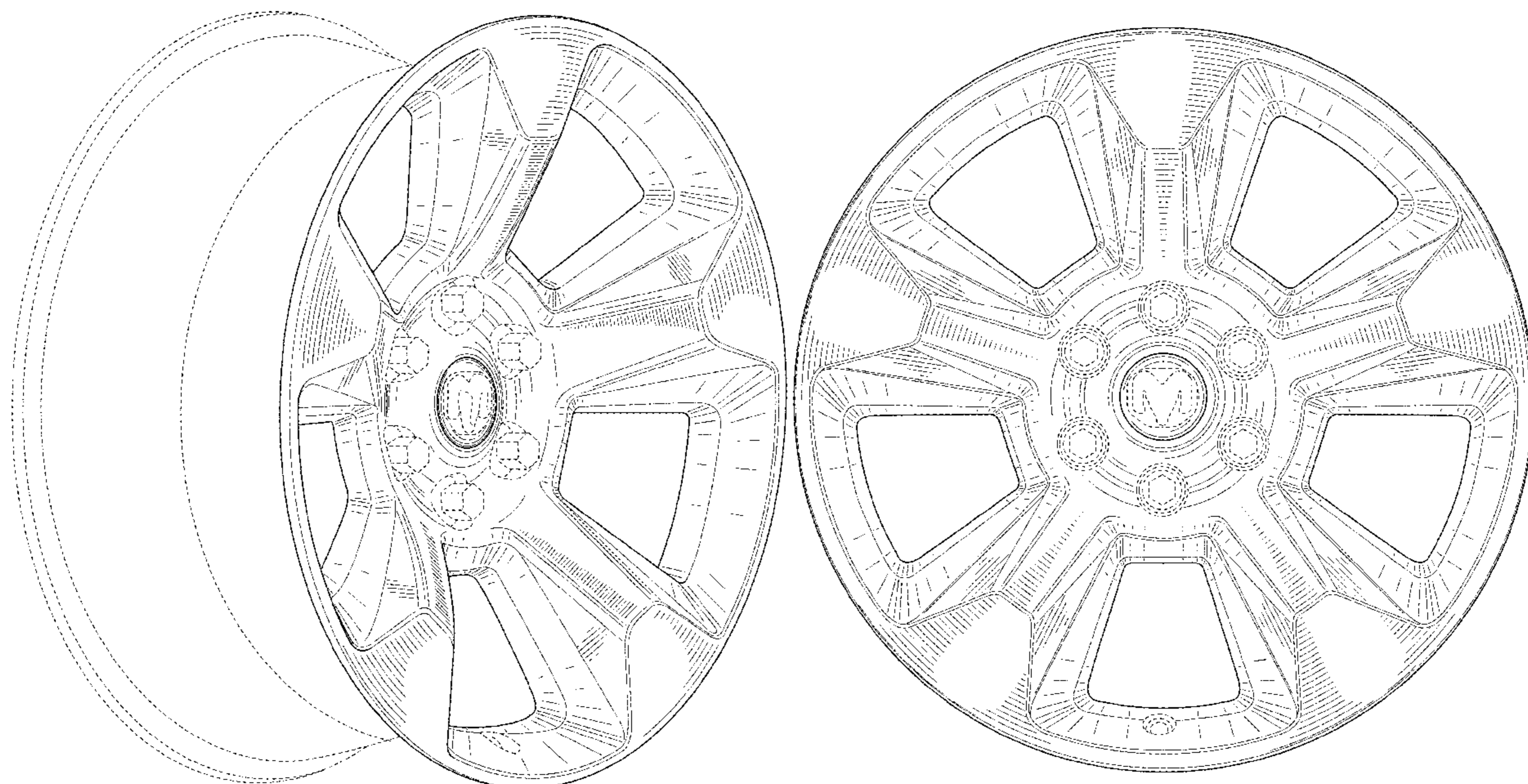
(57) **CLAIM**

The ornamental design for a wheel, as shown and described.

DESCRIPTION

FIG. 1 is a right perspective view of a wheel showing our new design;
FIG. 2 is a left perspective view thereof; and,
FIG. 3 is a front view thereof.
It will be understood that the broken lines shown in the drawings illustrate portions of the wheel that form no part of the claimed design.

1 Claim, 3 Drawing Sheets



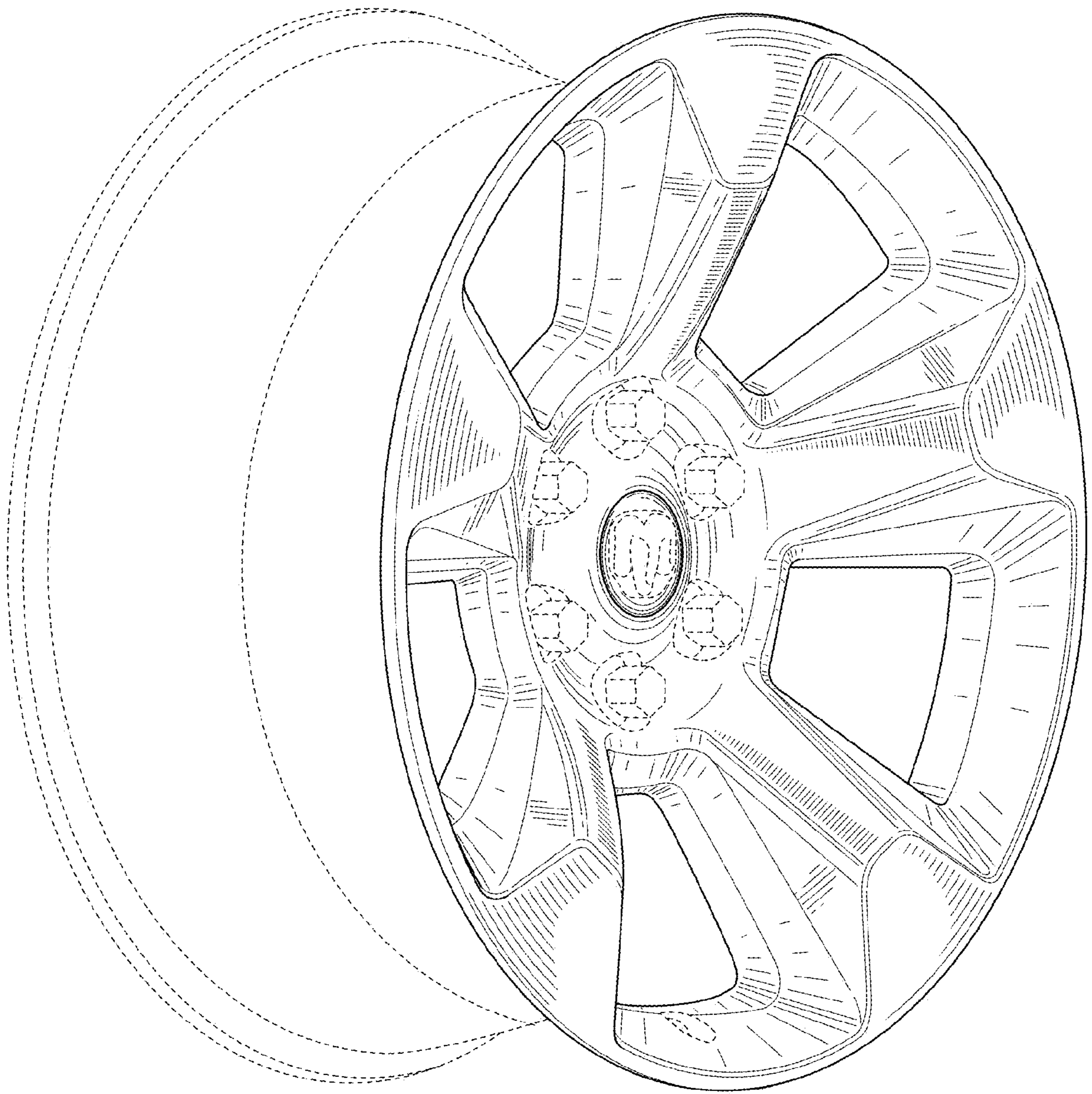


FIG. 1

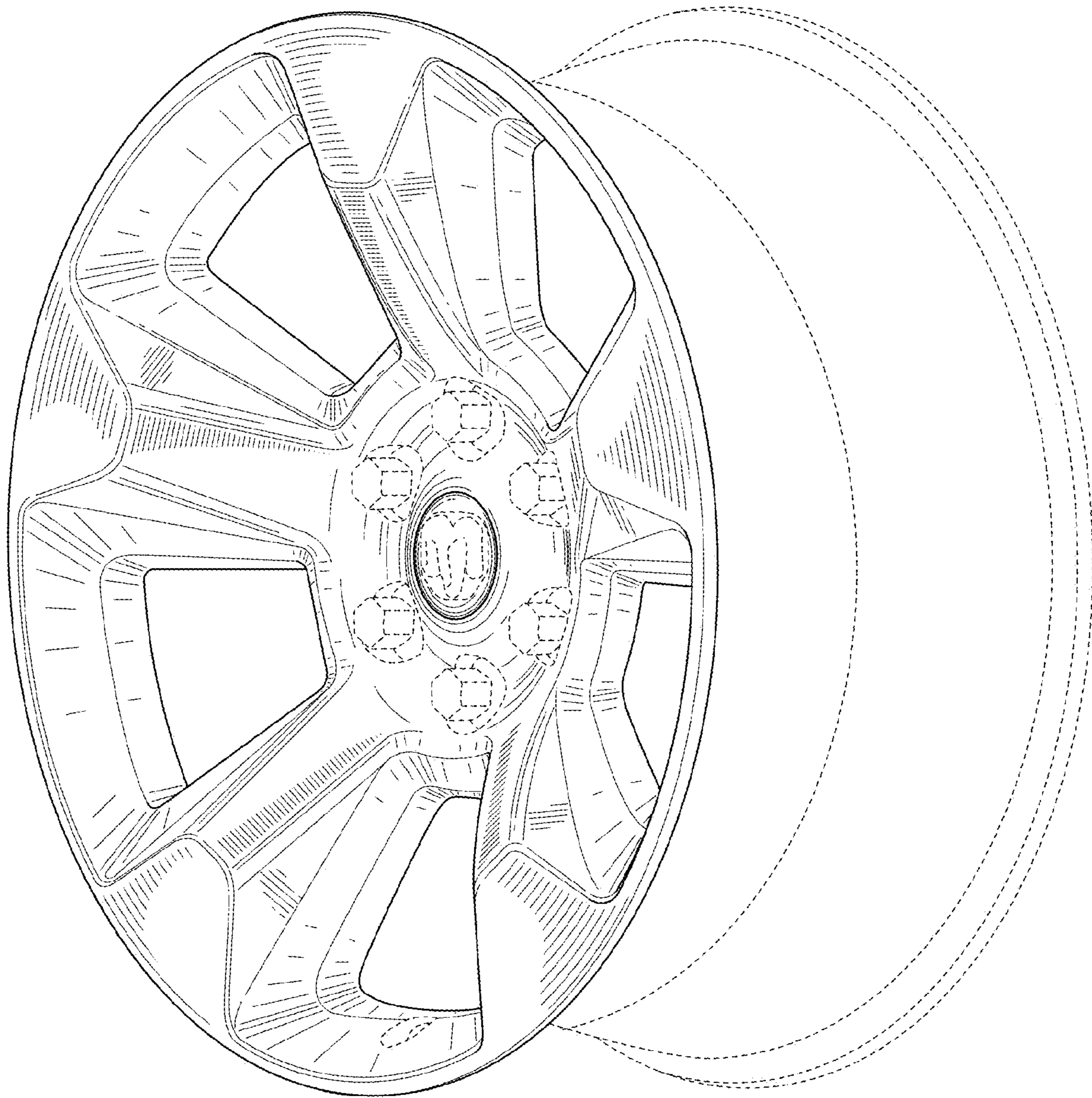


FIG. 2

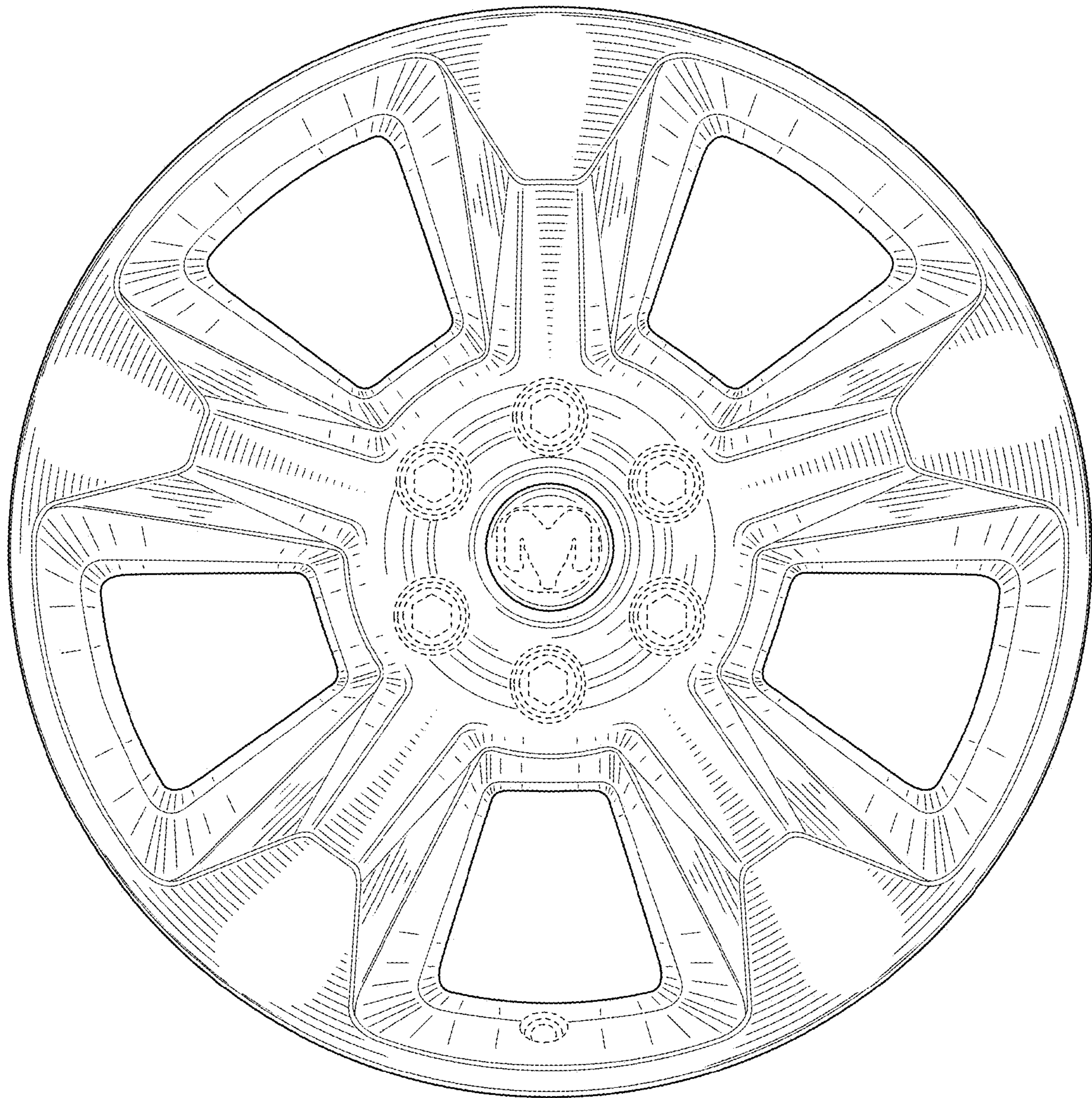


FIG. 3