



US00D896147S

(12) **United States Design Patent**
Hoste et al.

(10) **Patent No.:** **US D896,147 S**

(45) **Date of Patent:** **** Sep. 15, 2020**

(54) **WHEEL**

(71) Applicants: **Paul Hoste**, New Hudson, MI (US);
Irina Zavatski, Rochester Hills, MI
(US); **Mark T. Allen**, Oxford, MI (US)

(72) Inventors: **Paul Hoste**, New Hudson, MI (US);
Irina Zavatski, Rochester Hills, MI
(US); **Mark T. Allen**, Oxford, MI (US)

(73) Assignee: **FCA US LLC**, Auburn Hills, MI (US)

(**) Term: **15 Years**

(21) Appl. No.: **29/679,554**

(22) Filed: **Feb. 7, 2019**

(51) **LOC (12) Cl.** **12-16**

(52) **U.S. Cl.**
USPC **D12/209**

(58) **Field of Classification Search**
USPC D12/204-213; D21/563
CPC B60B 7/00; B60B 7/02; B60B 7/04; B60B
7/01; B60B 7/06; B60B 3/02; B60B 3/04;
B60B 3/06; B60B 3/10; B60B 1/00;
B60B 1/08; B60B 1/10; B60B 1/12
See application file for complete search history.

(56) **References Cited**

U.S. PATENT DOCUMENTS

D432,973 S * 10/2000 Fitzgerald D12/209
D479,172 S * 9/2003 Sulahian D12/209

D510,899 S * 10/2005 Noriega D12/209
D643,356 S * 8/2011 Gotschke D12/209
D683,684 S * 6/2013 Campbell D12/209
D687,756 S * 8/2013 Campbell D12/209
D761,181 S * 7/2016 Bucher D12/209
D781,197 S * 3/2017 Ninov D12/209
D781,199 S * 3/2017 Dionisopoulos D12/209
D781,201 S * 3/2017 Ninov D12/209
D782,383 S * 3/2017 Owens D12/209
D783,496 S * 4/2017 Glover D12/209
D791,036 S * 7/2017 Owens D12/209
D800,044 S * 10/2017 Ghobrial D12/209
D803,134 S * 11/2017 Bucher D12/209
D817,846 S * 5/2018 Stone D12/209
D865,631 S * 11/2019 Lyu D12/209
D876,309 S * 2/2020 Echazabal D12/209

* cited by examiner

Primary Examiner — Stacia A Cadmus

(74) *Attorney, Agent, or Firm* — Ralph E. Smith

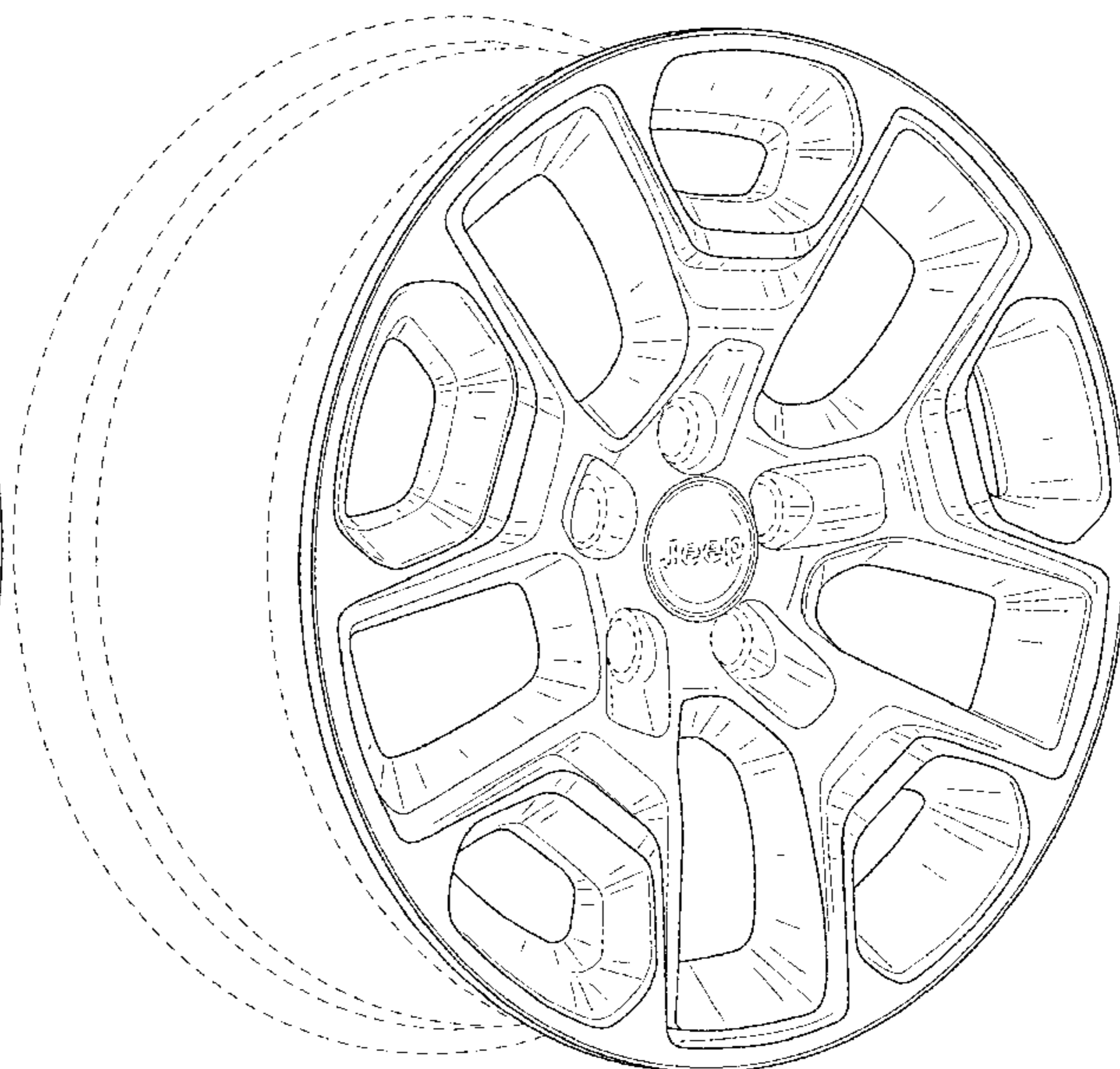
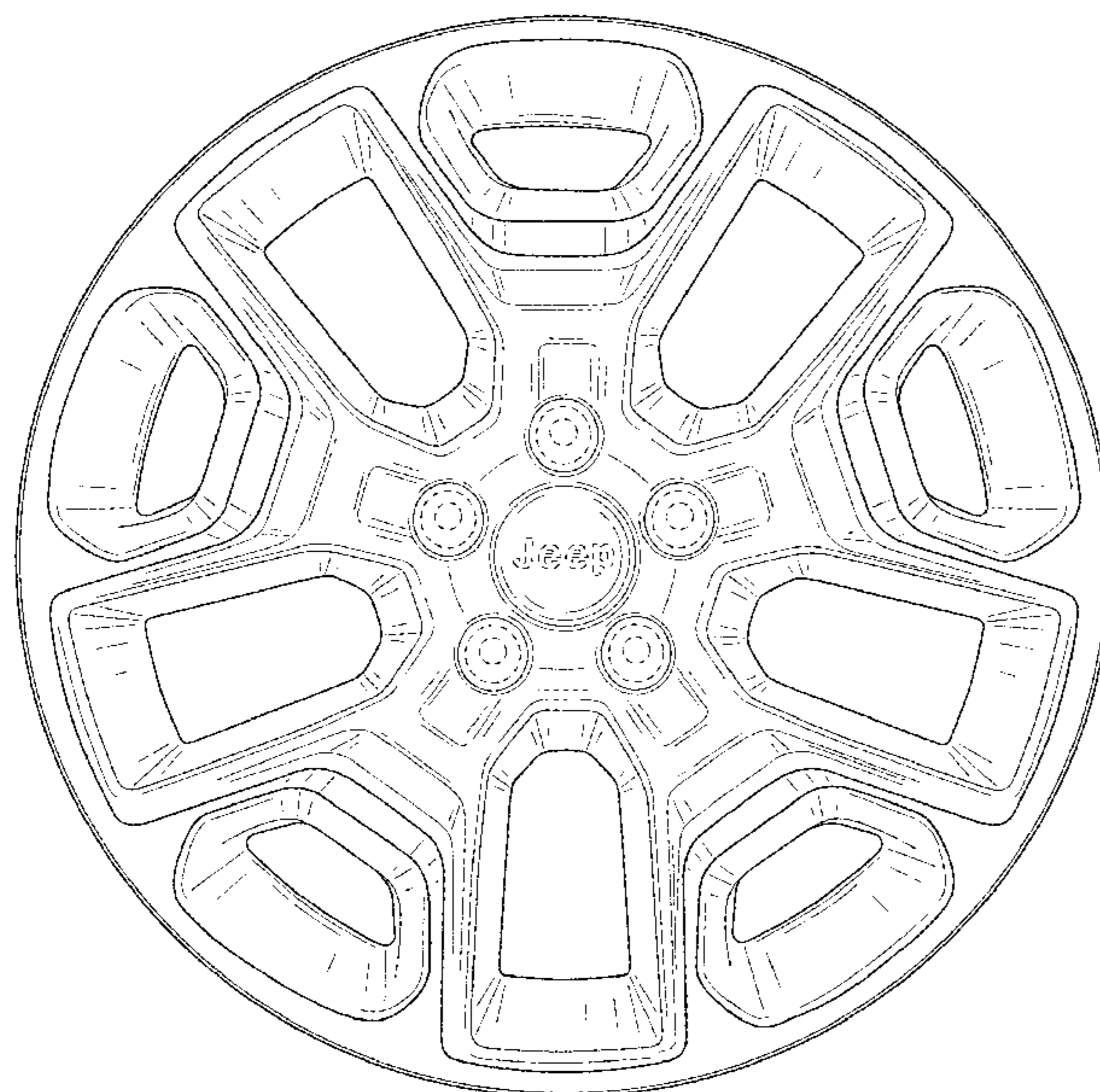
(57) **CLAIM**

The ornamental design for a wheel, as shown and described.

DESCRIPTION

FIG. 1 is a front view of a wheel showing our new design; FIG. 2 is a left perspective view thereof; and, FIG. 3 is a right perspective view thereof. It will be understood that the broken lines shown in the drawings illustrate portions of the wheel that form no part of the claimed design.

1 Claim, 3 Drawing Sheets



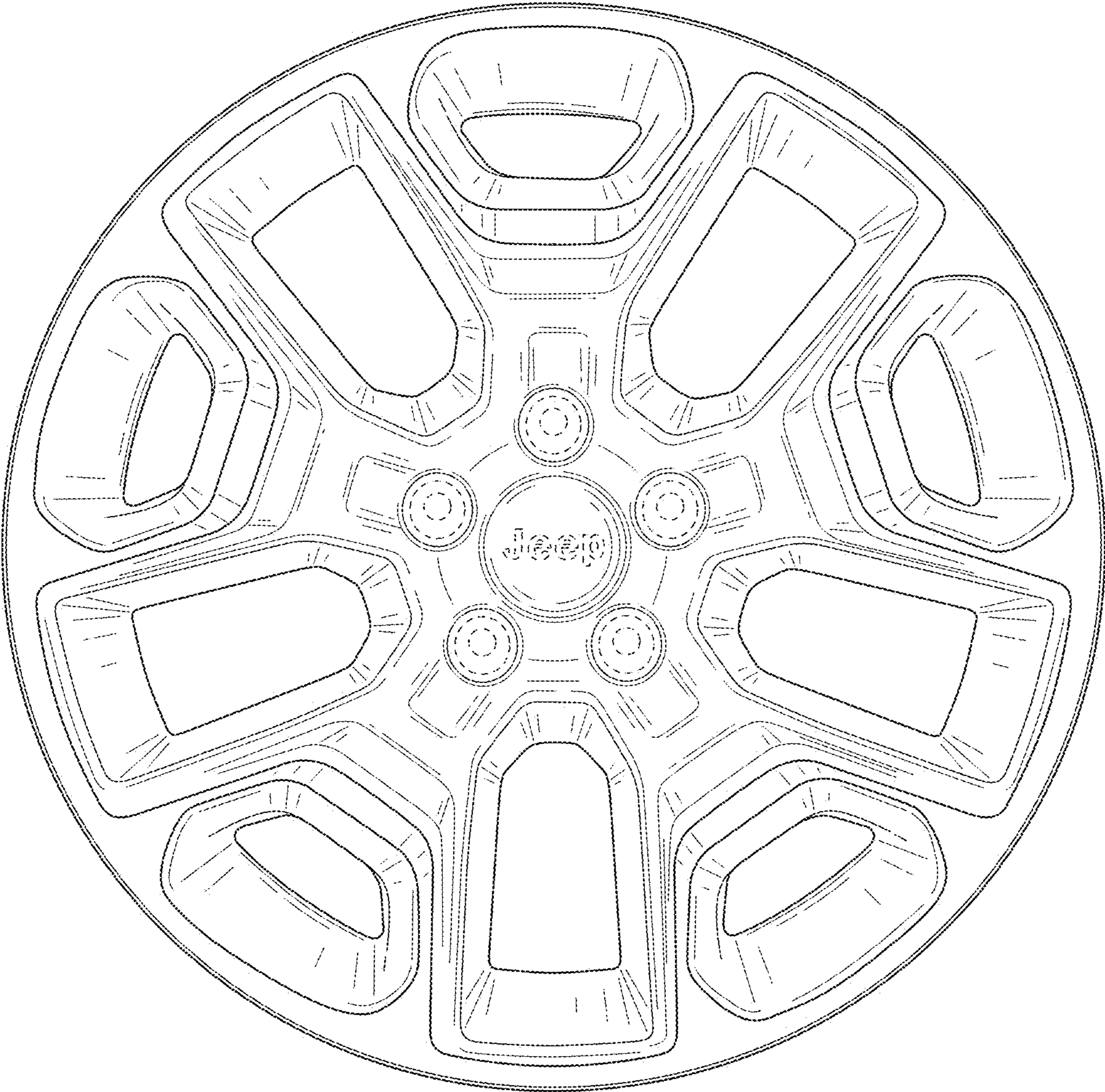


FIG. 1

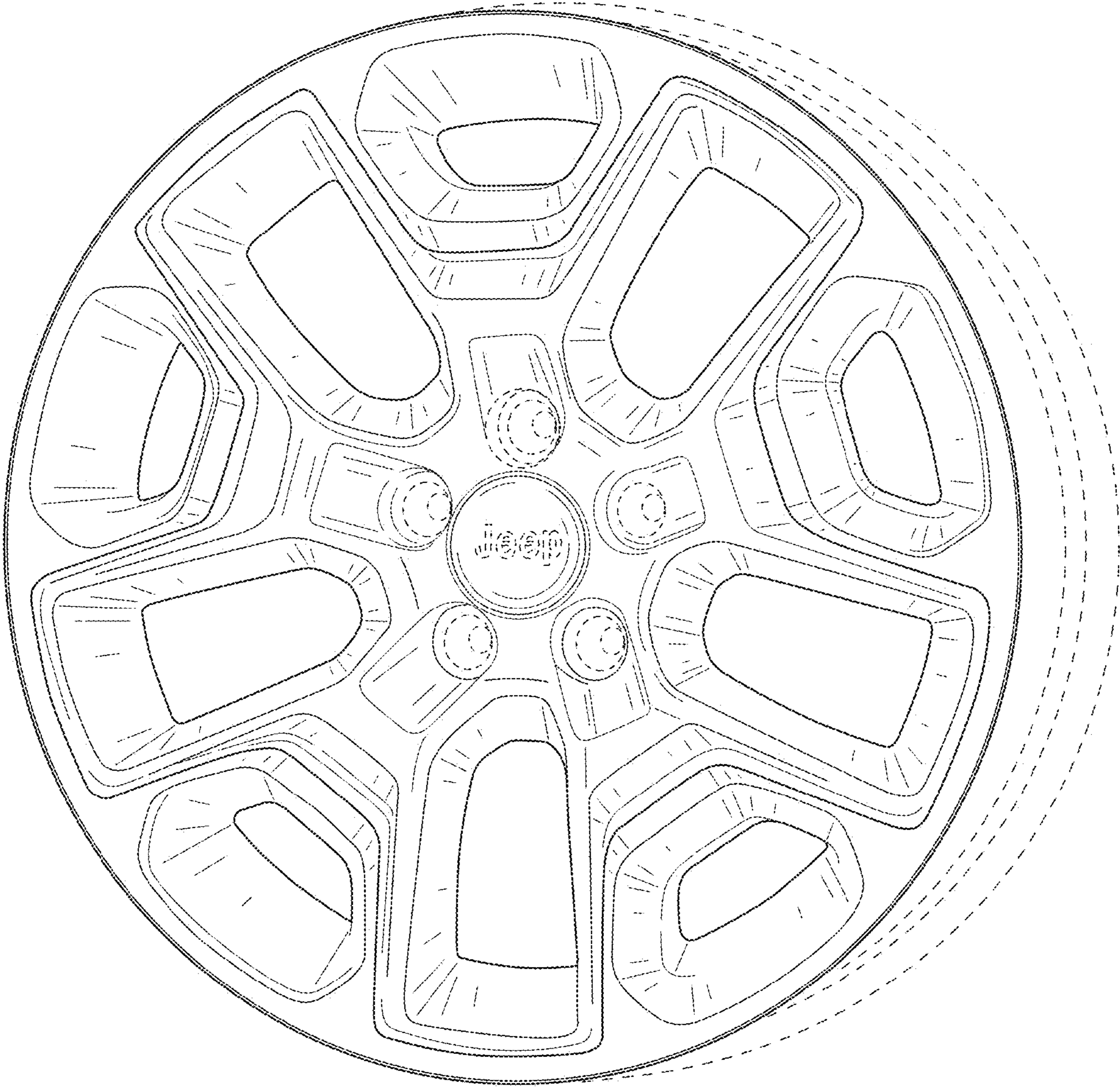


FIG. 2

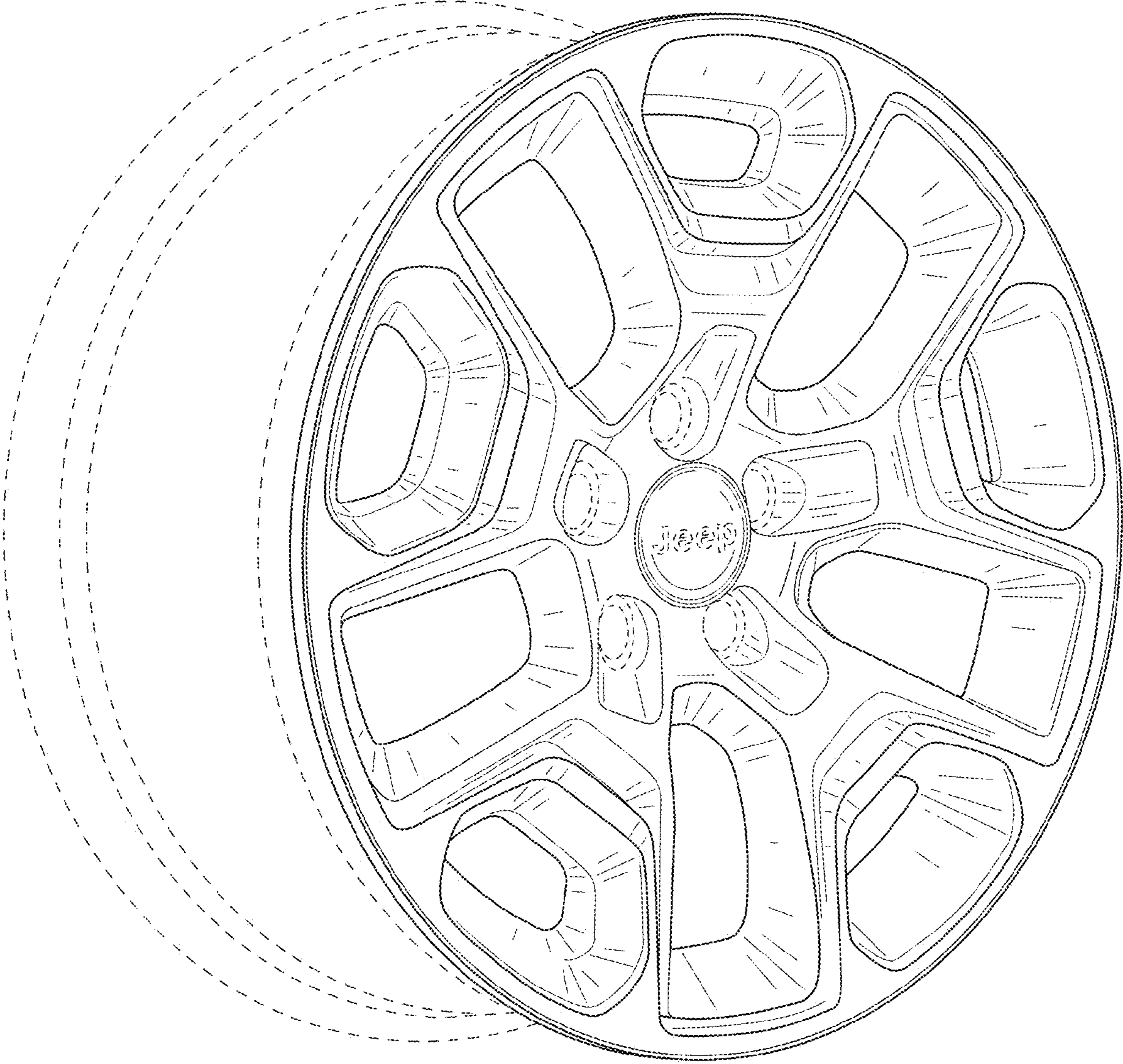


FIG. 3