



US00D896145S

(12) **United States Design Patent** (10) **Patent No.:** **US D896,145 S**  
**Melrose** (45) **Date of Patent:** **\*\* Sep. 15, 2020**

(54) **MOUNT FOR A LICENSE PLATE OR SIMILAR ARTICLE**

(71) Applicant: **Vagabond Motorsports, LLC**, San Diego, CA (US)

(72) Inventor: **Jesse K Melrose**, San Diego, CA (US)

(\*\*) Term: **15 Years**

(21) Appl. No.: **29/683,357**

(22) Filed: **Mar. 12, 2019**

(51) **LOC (12) Cl.** ..... **12-16**

(52) **U.S. Cl.**  
USPC ..... **D12/193**

(58) **Field of Classification Search**  
USPC ..... D12/193; D6/300, 301, 302, 310, 311,  
D6/312, 313, 314; D20/13  
CPC ..... B60R 13/10; B60R 13/105; B60R 19/24;  
B60R 19/52

See application file for complete search history.

(56) **References Cited**

**U.S. PATENT DOCUMENTS**

D245,497 S *	8/1977	Ritch	.....	D12/193
D333,490 S *	2/1993	Engelberts	.....	D12/193
D396,679 S *	8/1998	Findel, II	.....	D12/193
D435,819 S *	1/2001	Spencer	.....	D12/193
D566,023 S *	4/2008	Pacleb	.....	D12/193
D599,726 S *	9/2009	Pacleb	.....	D12/193

D812,537 S *	3/2018	Chiang	.....	D12/193
D813,129 S *	3/2018	Hoffheinz	.....	D12/193
D813,131 S *	3/2018	Chiang	.....	D12/193
D818,917 S *	5/2018	Addy	.....	D12/193
D822,566 S *	7/2018	Parnell	.....	D12/193
D824,307 S *	7/2018	Spencer	.....	D12/193
D824,308 S *	7/2018	Parnell	.....	D12/193
D834,479 S *	11/2018	Spencer	.....	D12/193
D870,624 S *	12/2019	Filakousky	.....	D12/193
D870,625 S *	12/2019	Filakousky	.....	D12/193

\* cited by examiner

*Primary Examiner* — **Natasha Vujcic**

(74) *Attorney, Agent, or Firm* — **Donn K. Harms**

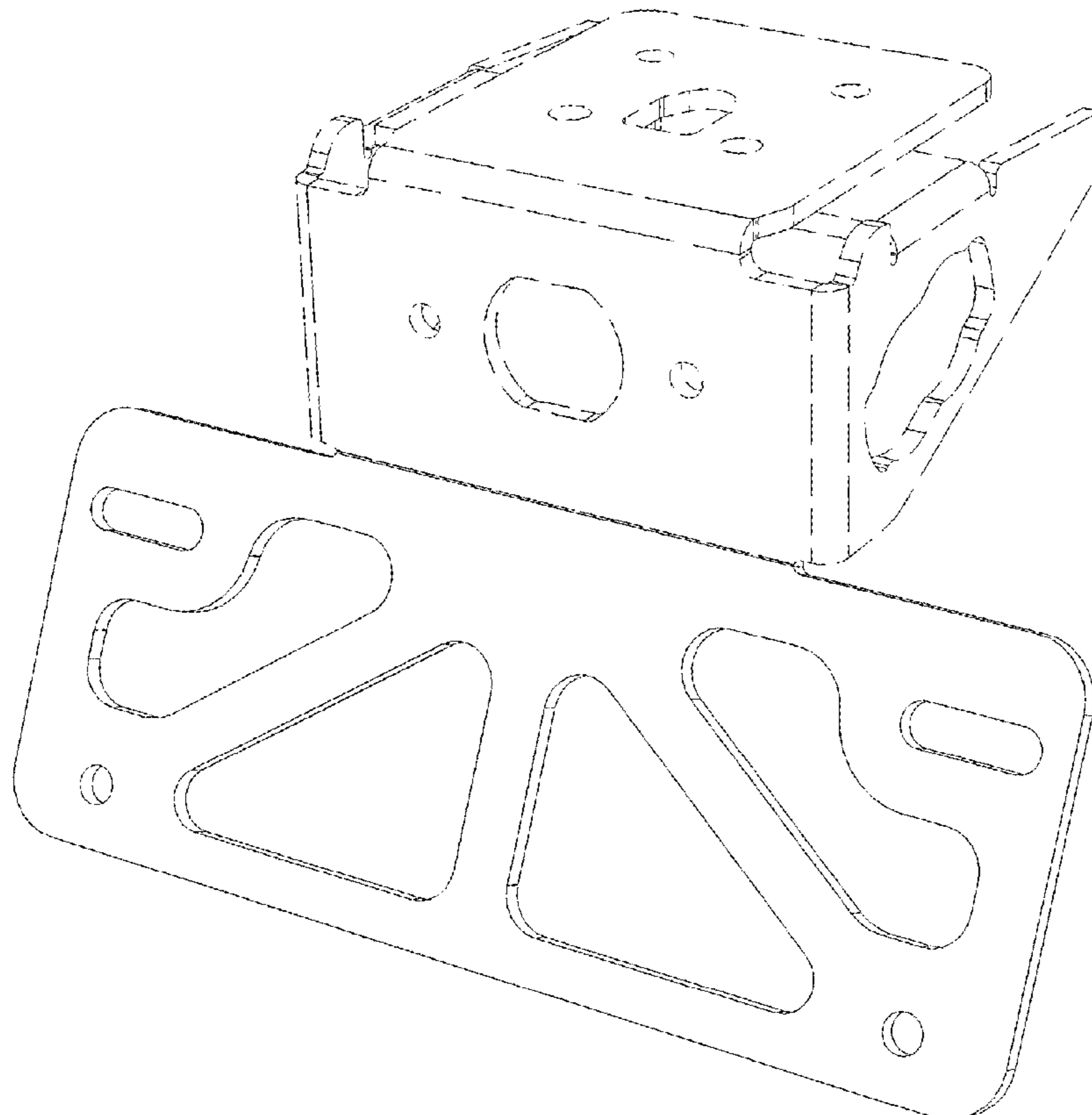
(57) **CLAIM**

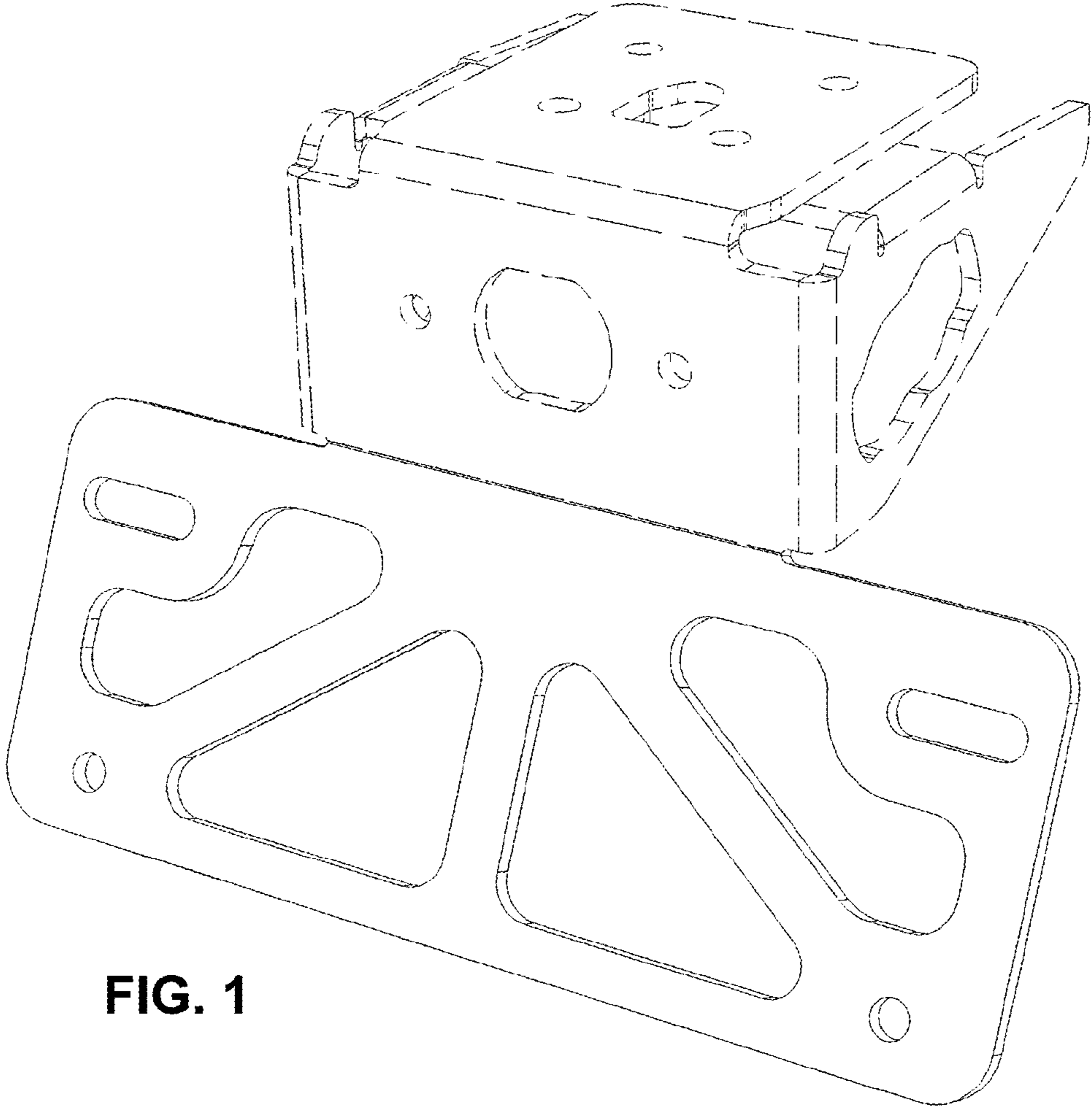
The ornamental design for a mount for a license plate or similar article, as shown and described.

**DESCRIPTION**

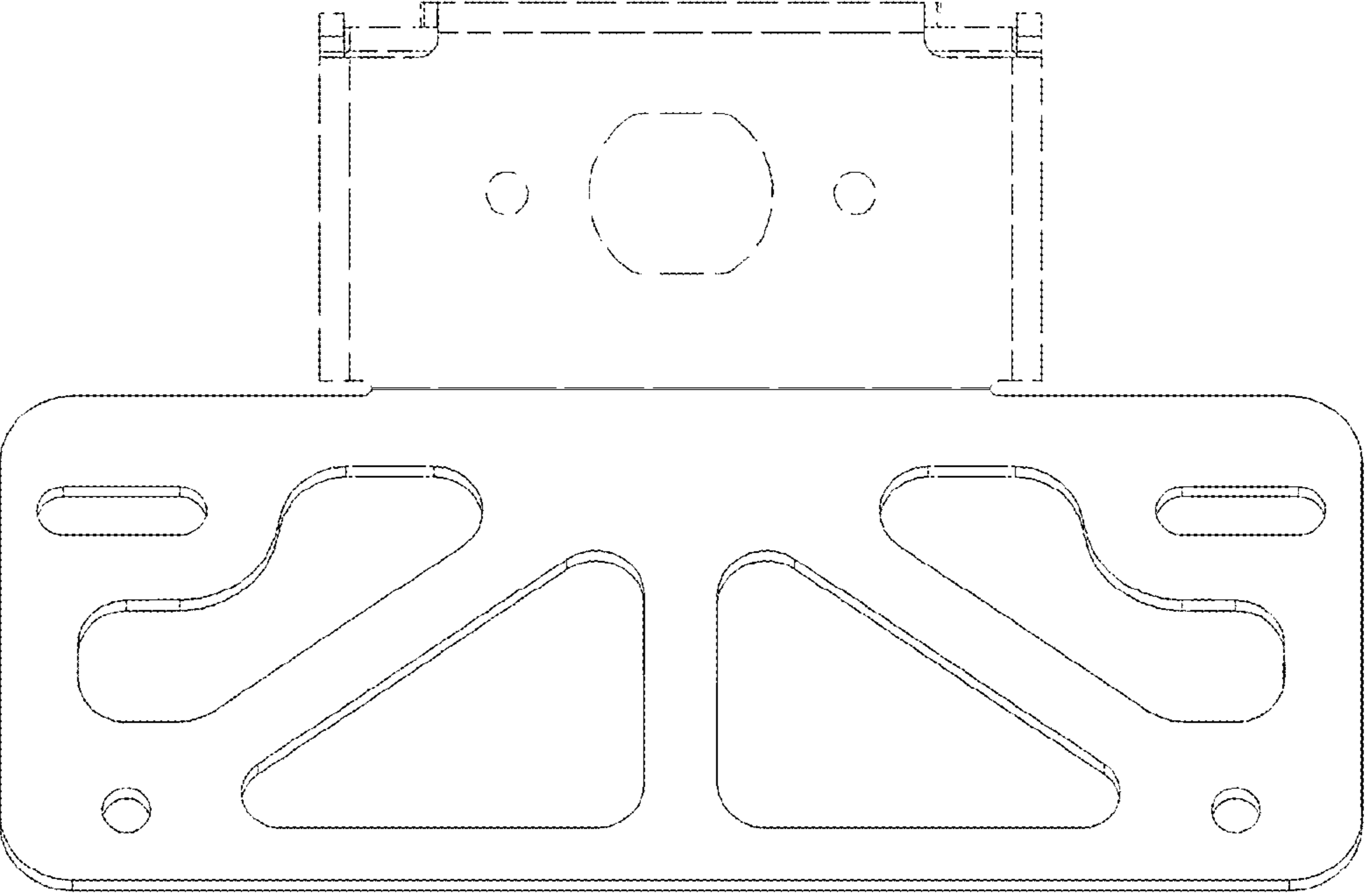
FIG. 1 is a perspective view of a mount for a license plate or similar article according to the design;  
FIG. 2 is a front view thereof;  
FIG. 3 is a rear view thereof;  
FIG. 4 is a top view thereof;  
FIG. 5 is a bottom view thereof;  
FIG. 6 is a right side view thereof; and,  
FIG. 7 is a left side view thereof.

**1 Claim, 3 Drawing Sheets**

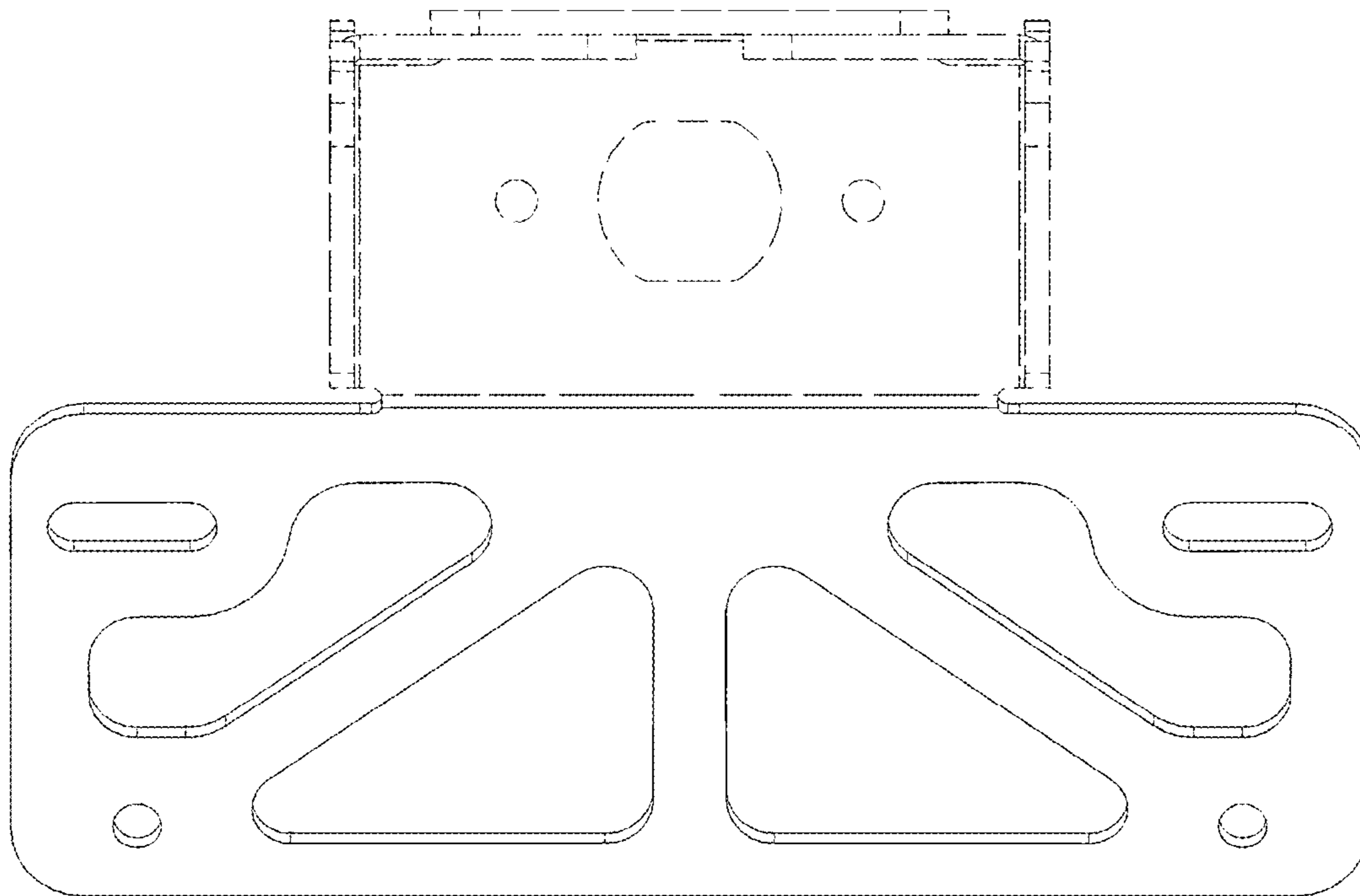




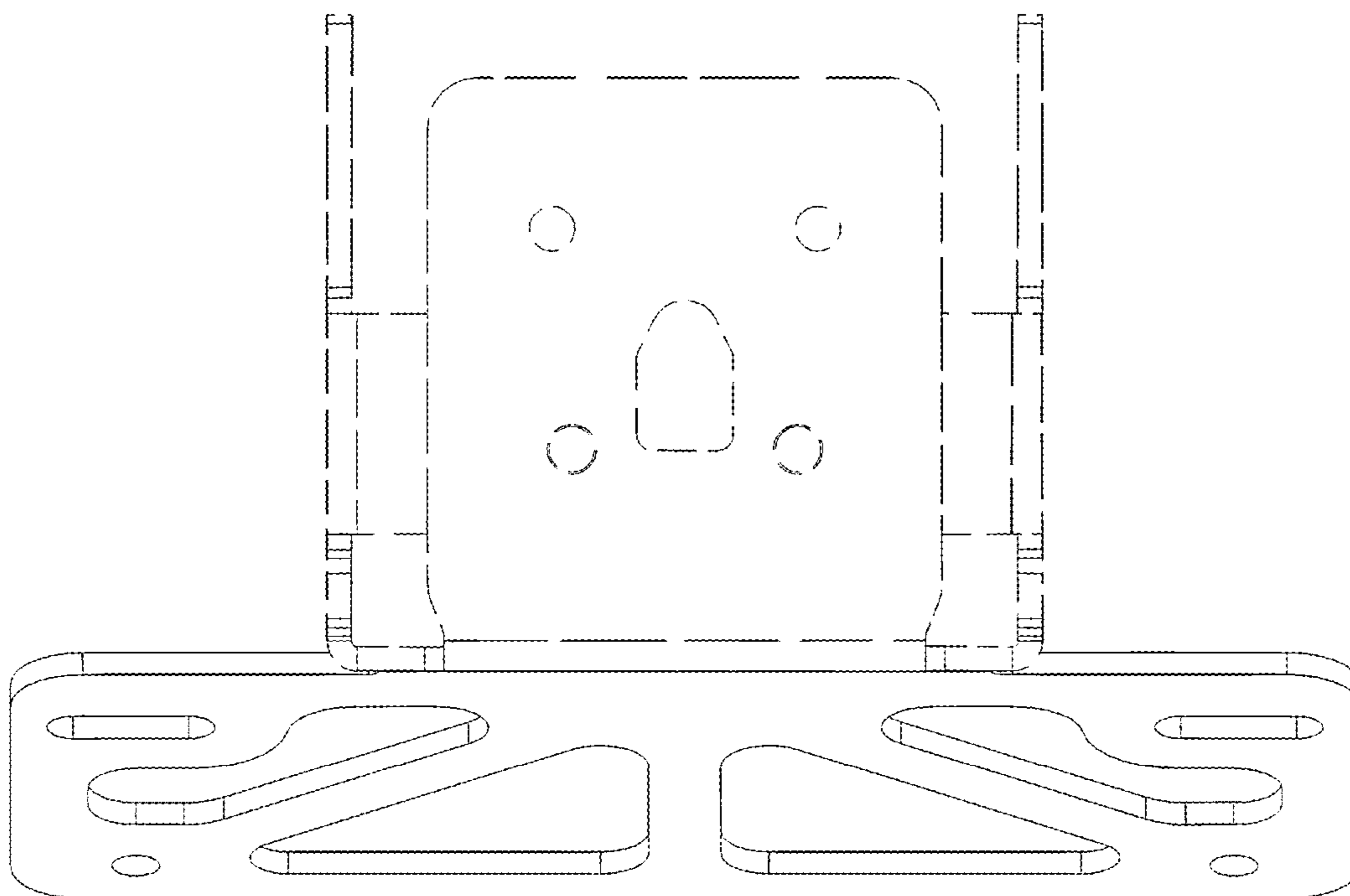
**FIG. 1**



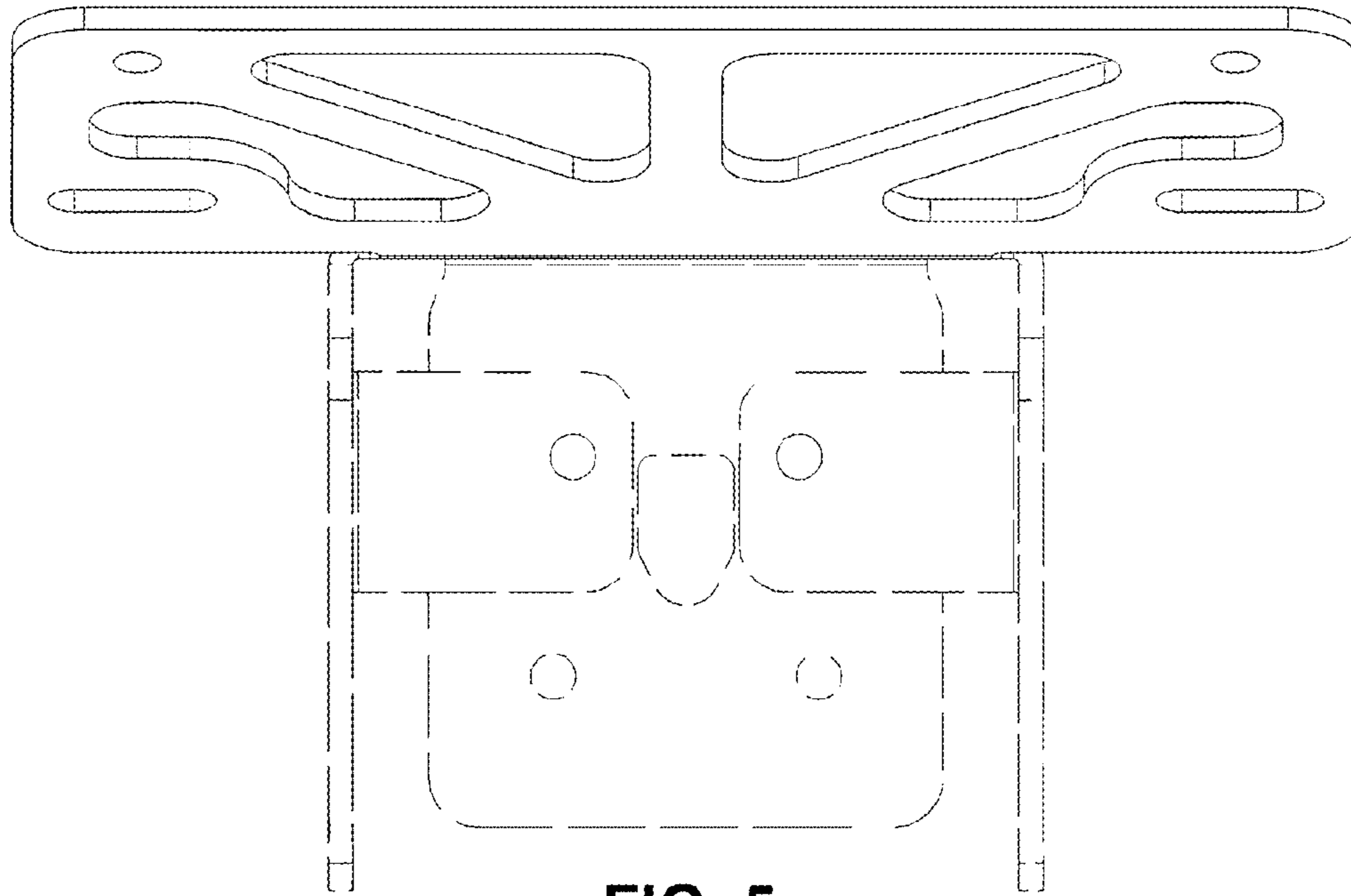
**FIG. 2**



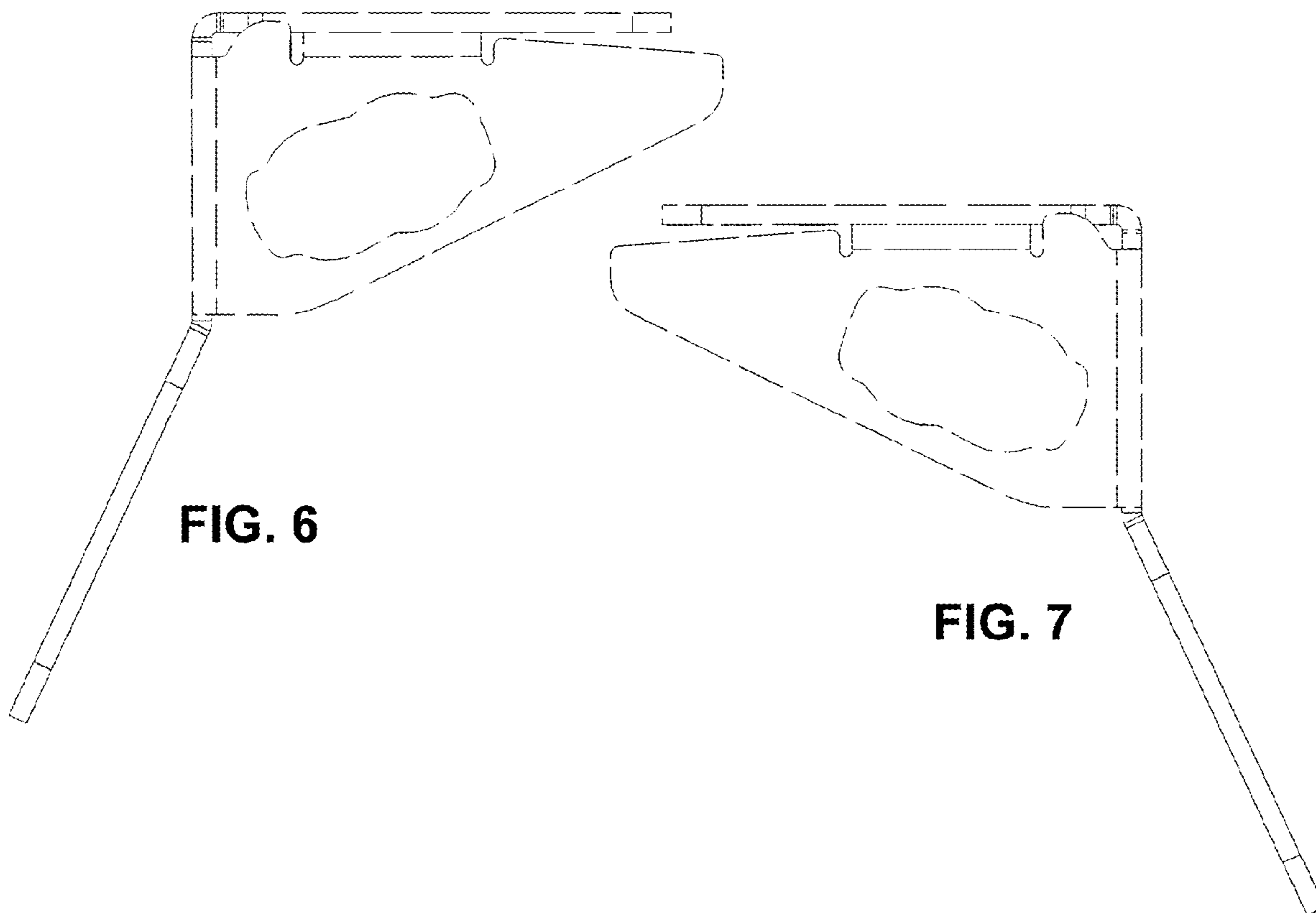
**FIG. 3**



**FIG. 4**



**FIG. 5**



**FIG. 6**

**FIG. 7**