

US00D896144S

(12) **United States Design Patent** (10) **Patent No.:** **US D896,144 S**  
**Akrapovic et al.** (45) **Date of Patent:** **\*\* Sep. 15, 2020**

(54) **SPOILER FOR MOTOR CARS**  
(71) Applicant: **Igor Akrapovic**, Ljubljana (SI)  
(72) Inventors: **Igor Akrapovic**, Ljubljana (SI); **Damjan Sodnik**, Cerklje NA Gorenjskem (SI); **Anton Sifrar**, Grosuplje (SI); **Primož Toplikar**, Tolmin (SI); **Ermin Kosovel**, Zgornje Gorje (SI); **Luka Zagar**, Ljubljana (SI); **Matej Bulc**, Ljubljana (SI)  
(\*\*) Term: **15 Years**  
(21) Appl. No.: **35/507,198**  
(22) Filed: **Nov. 21, 2018**  
(80) **Hague Agreement Data**  
Int. Filing Date: **Nov. 21, 2018**  
Int. Reg. No.: **DM/202111**  
Int. Reg. Date: **Nov. 21, 2018**  
Int. Reg. Pub. Date: **Aug. 2, 2019**

(30) **Foreign Application Priority Data**  
May 25, 2018 (EM) ..... 005282985-0001  
(51) **LOC (12) Cl.** ..... **12-16**  
(52) **U.S. Cl.**  
USPC ..... **D12/192**  
(58) **Field of Classification Search**  
USPC ..... D12/86, 90, 91, 92, 163, 164, 167, 169, D12/171, 172, 196, 216  
CPC ..... B60R 19/02; B60R 19/18; B60R 19/24; B60R 19/56; B60R 2019/007  
See application file for complete search history.

(56) **References Cited**  
U.S. PATENT DOCUMENTS  
D678,146 S \* 3/2013 Behmer ..... D12/169  
D749,469 S \* 2/2016 Curic ..... D12/169

D751,003 S \* 3/2016 Rupar ..... D12/163  
D751,009 S \* 3/2016 Behmer ..... D12/169  
D751,010 S \* 3/2016 Behmer ..... D12/169  
D763,744 S \* 8/2016 Behmer ..... D12/169  
D775,038 S \* 12/2016 Frascella ..... D12/169  
D776,021 S \* 1/2017 Kapitonov ..... D12/169  
D793,294 S \* 8/2017 Lee ..... D12/169  
D797,616 S \* 9/2017 Lee ..... D12/169  
D803,738 S \* 11/2017 Granlund ..... D12/169  
D807,253 S \* 1/2018 Piscitelli ..... D12/169  
D807,255 S \* 1/2018 Piscitelli ..... D12/169  
D811,963 S \* 3/2018 Sullivan ..... D12/169  
D813,743 S \* 3/2018 Lee ..... D12/169  
D813,745 S \* 3/2018 Behmer ..... D12/169  
D813,756 S \* 3/2018 Loeb ..... D12/169  
D816,563 S \* 5/2018 McMahan ..... D12/169  
D819,524 S \* 6/2018 Behmer ..... D12/169

(Continued)

*Primary Examiner* — Darlington Ly  
(74) *Attorney, Agent, or Firm* — Olson & Cepuritis, Ltd.; William P. Oberhardt; Shawn E. Duckworth

(57) **CLAIM**

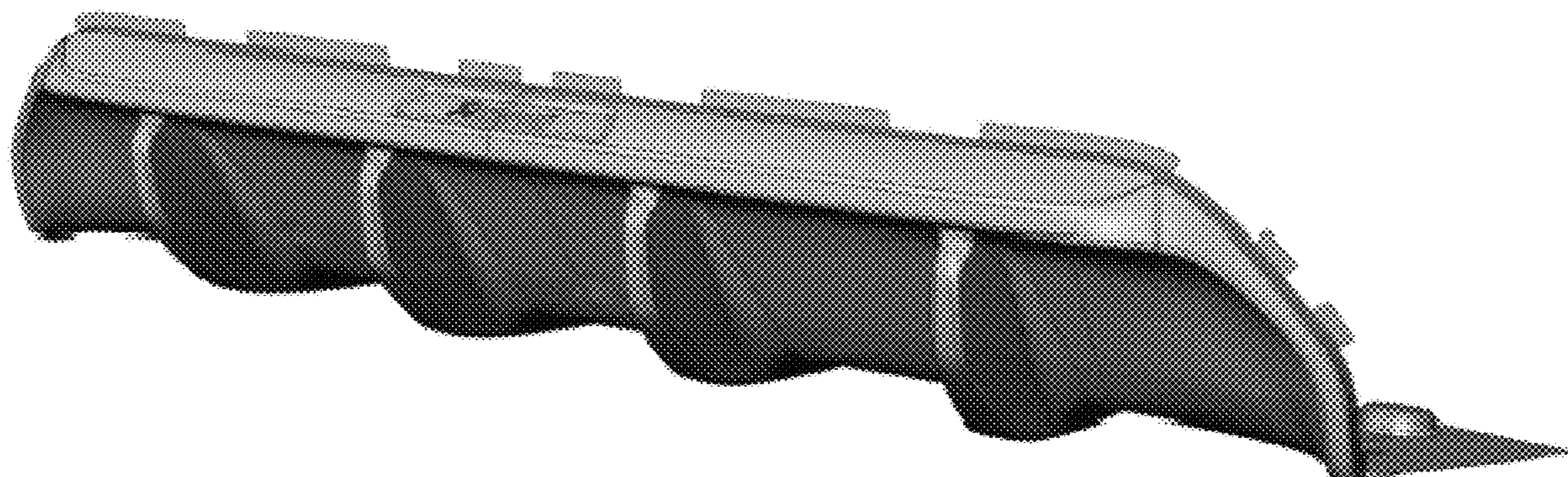
The ornamental design for a spoiler for motor cars, as shown and described.

**DESCRIPTION**

The patent or application file contains at least one drawing executed in color. Copies of this patent or patent application publication with color drawing(s) will be provided by the Office upon request and payment of the necessary fee.

- 1. Spoiler for motor cars
- 1.1 is a top, front, and right side perspective view of a spoiler for motor cars showing our new design;
- 1.2 is a bottom, front, and right side perspective view thereof;
- 1.3 is a top, front, and left side perspective view thereof;
- 1.4 is a bottom plan view thereof;
- 1.5 is a right side elevation view thereof; and
- 1.6 is a top plan view thereof.

**1 Claim, 6 Drawing Sheets**  
**(3 of 6 Drawing Sheet(s) Filed in Color)**



(56)

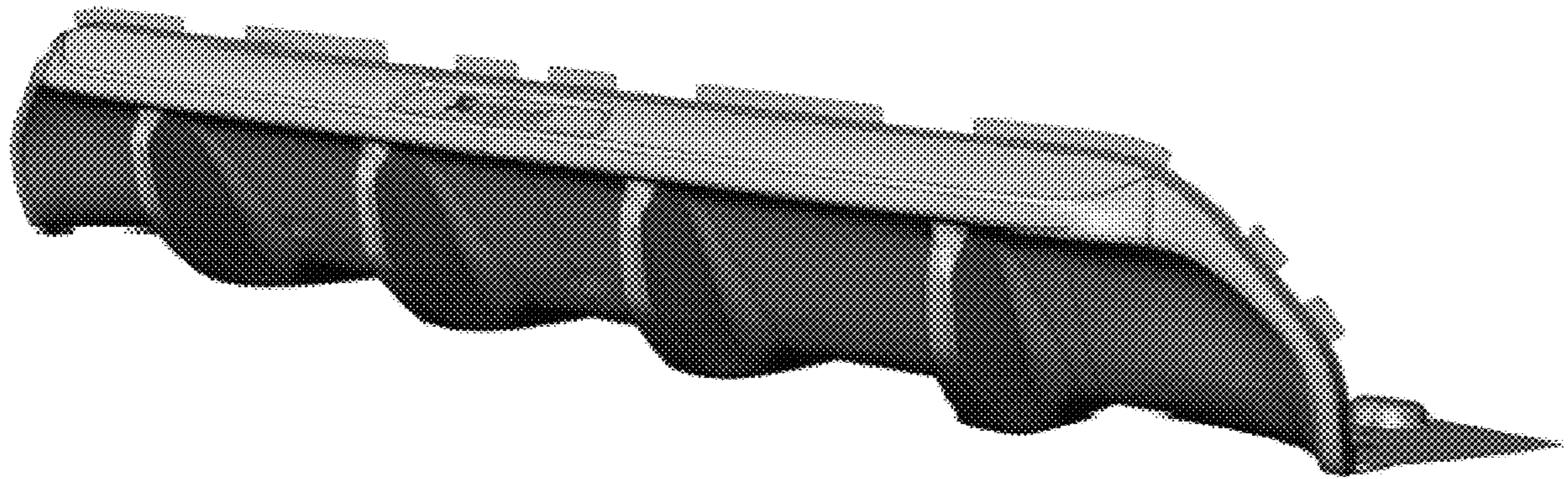
**References Cited**

U.S. PATENT DOCUMENTS

D823,193 S \* 7/2018 Kamiura ..... D12/169  
D825,408 S \* 8/2018 Bucher ..... D12/169

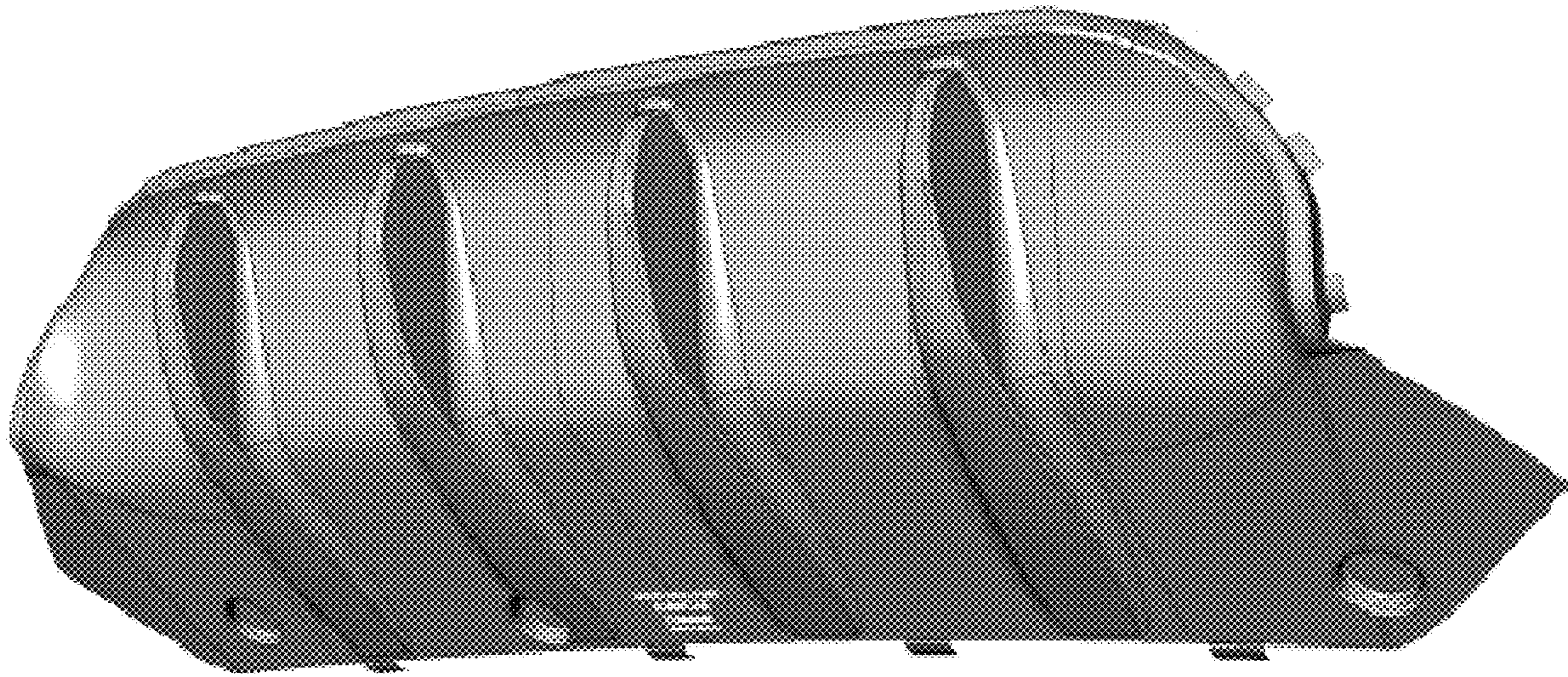
\* cited by examiner

**1.1**

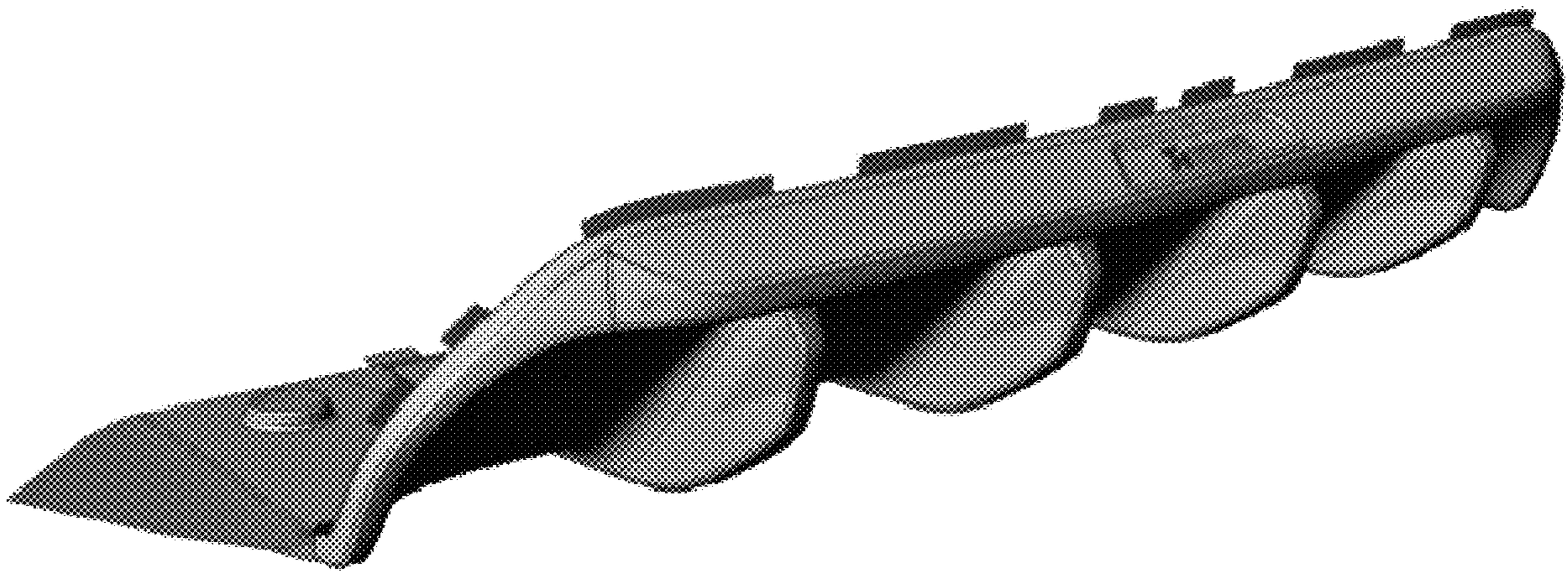




1.2

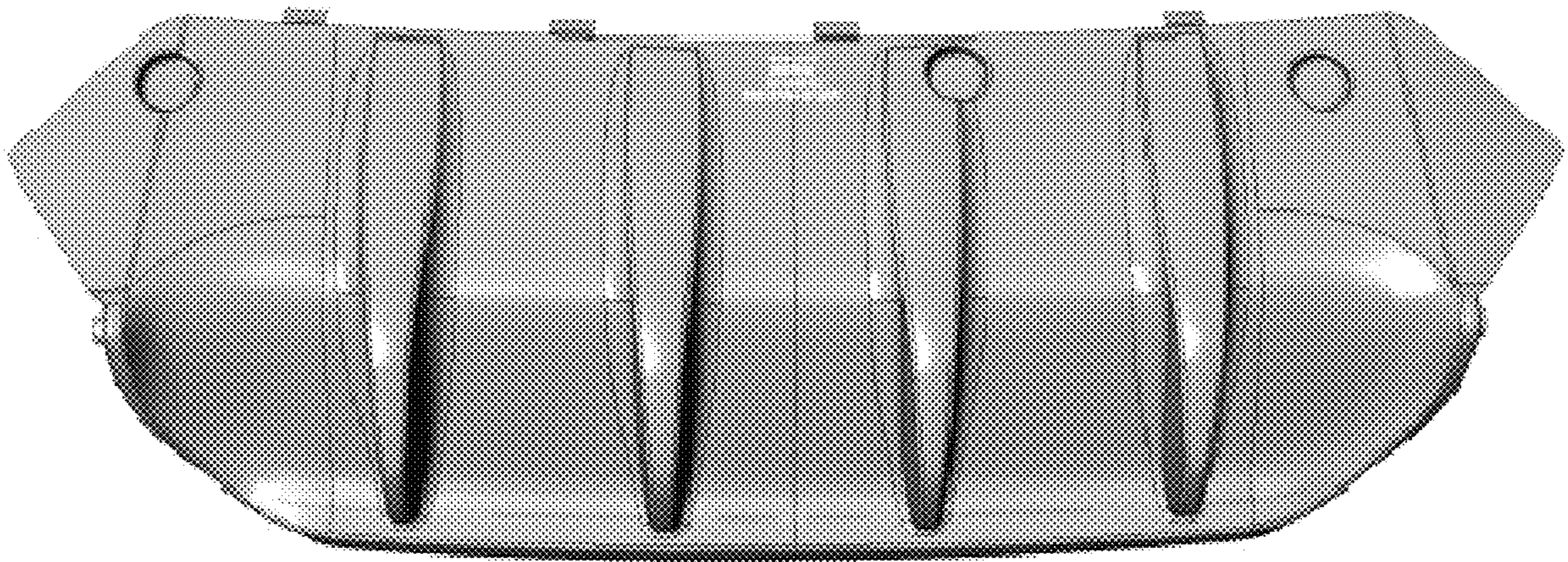


**1.3**

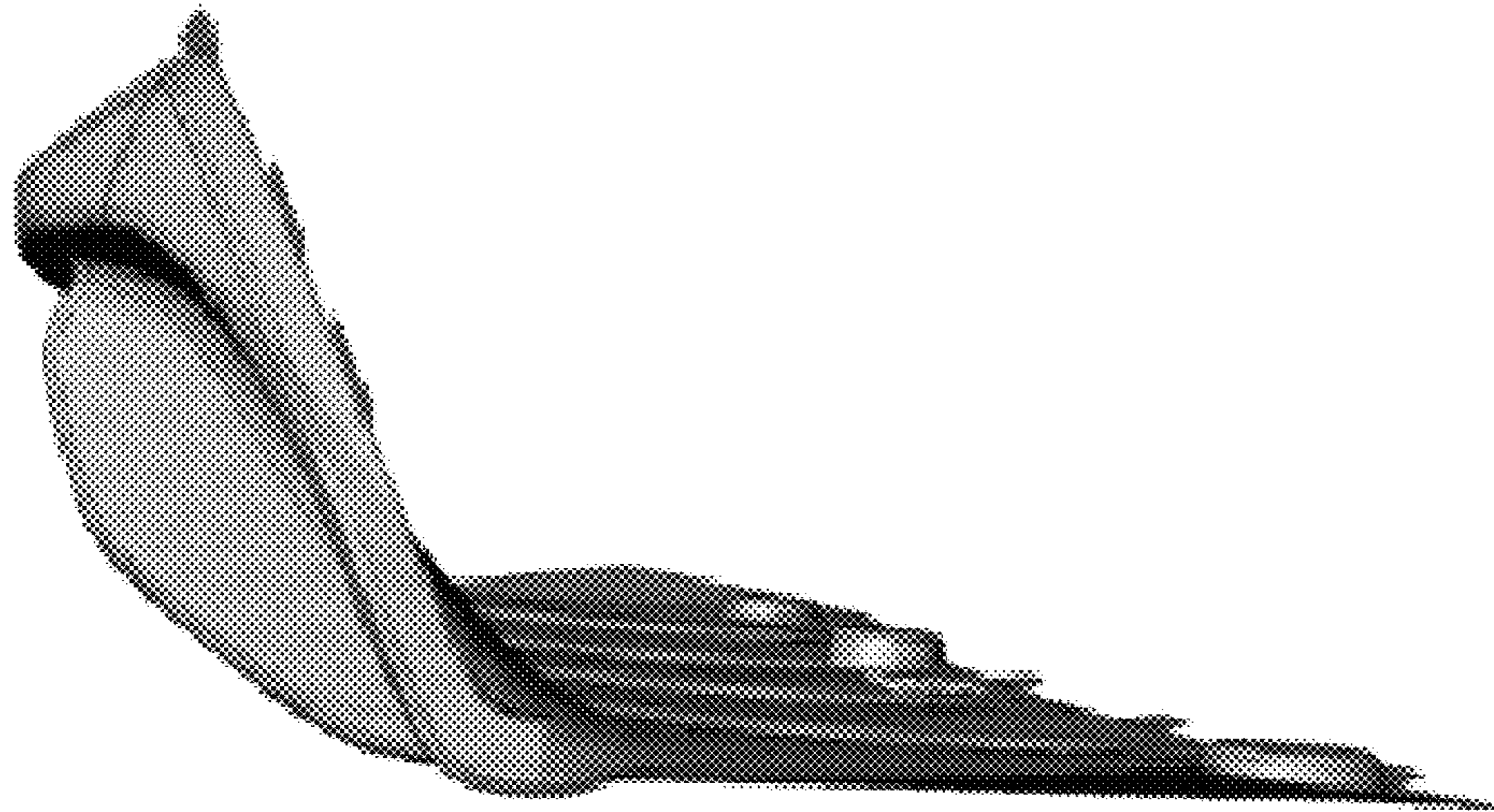




1.4



**1.5**





1.6

