

US00D896143S

(12) **United States Design Patent**
Heinemann

(10) **Patent No.:** **US D896,143 S**

(45) **Date of Patent:** **** Sep. 15, 2020**

(54) **REAR AUTOMOBILE WHEEL TRIM**

(71) Applicant: **BRABUS GmbH**, Bottrop (DE)

(72) Inventor: **Andreas Heinemann**, Burg (DE)

(73) Assignee: **BRABUS GmbH** (DE)

(**) Term: **15 Years**

(21) Appl. No.: **29/677,334**

(22) Filed: **Jan. 18, 2019**

(51) **LOC (12) Cl.** **12-08**

(52) **U.S. Cl.**
USPC **D12/190**

(58) **Field of Classification Search**

USPC D12/184, 190, 114, 181, 196, 86, 88, 89,
D12/163, 169, 171, 183, 345, 400, 199,
D12/197; D15/28; D21/424-425,
D21/433-434; 296/181.1, 181.2, 181.5,
296/91, 180.1-180.5

CPC B62D 25/16; B62D 25/18; B62D 25/00;
B62D 25/08; B62D 25/10; B62D
33/0273; B62D 33/03; B60R 2019/505;
B60R 2019/527; B60R 13/02; B60R
13/04; B60R 13/043; B60R 13/0273

See application file for complete search history.

(56) **References Cited**

U.S. PATENT DOCUMENTS

D386,239 S * 11/1997 Dennis D11/149
D571,261 S * 6/2008 MacKarvich D12/106

D610,511 S * 2/2010 Dubanowski D12/181
D776,589 S * 1/2017 Yoshimine D12/190
D788,523 S * 6/2017 Benoit D7/405
D797,624 S * 9/2017 Nakamura D12/184
D823,741 S * 7/2018 Kim D12/169
D856,239 S * 8/2019 Smith D12/196
D875,006 S * 2/2020 DiCanzio D12/184
D875,886 S * 2/2020 Nishimura D23/235

* cited by examiner

Primary Examiner — Abraham Bahta

(74) *Attorney, Agent, or Firm* — McCarter & English,
LLP

(57) **CLAIM**

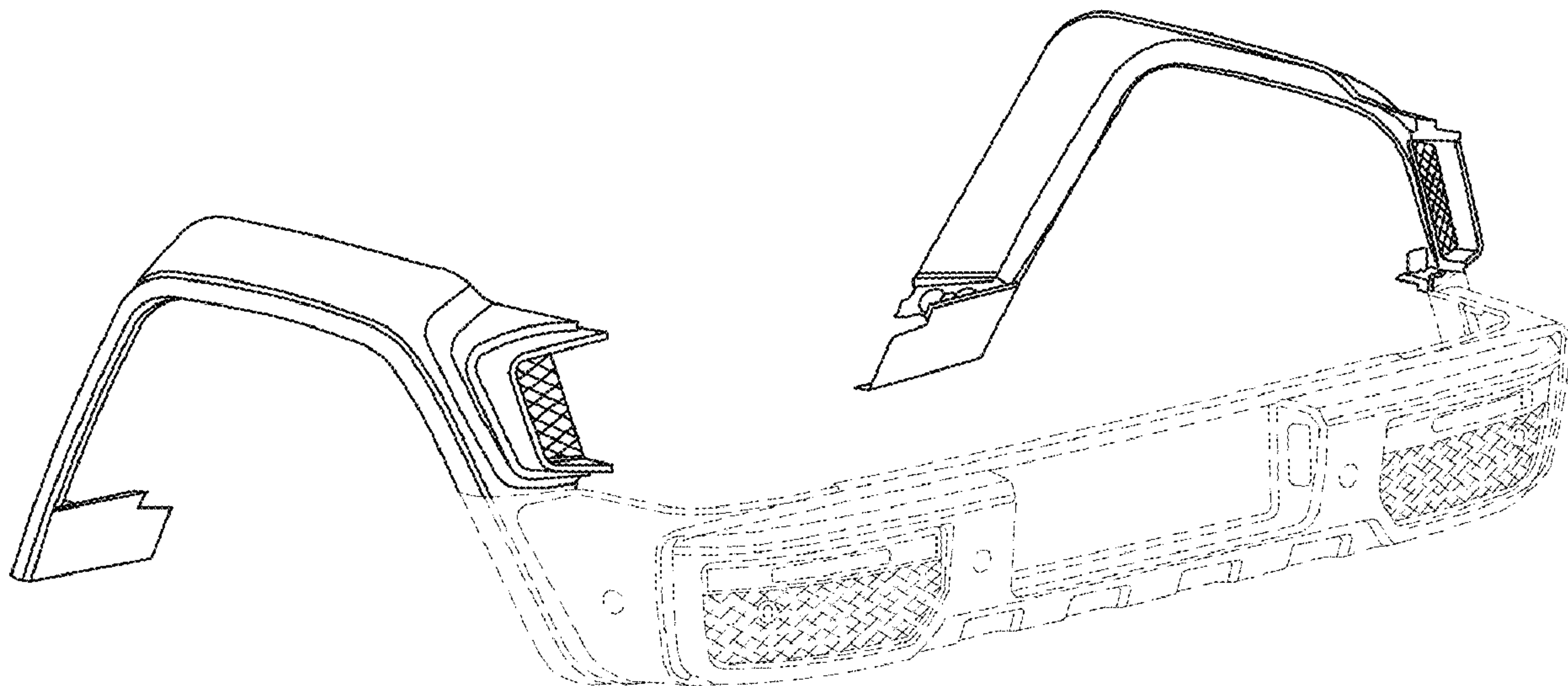
The ornamental design for a rear automobile wheel trim, as shown and described.

DESCRIPTION

FIG. 1 is a perspective view of a rear automobile wheel trim showing my new design;
FIG. 2 is a right side view thereof;
FIG. 3 is a left side view thereof;
FIG. 4 is a front view thereof;
FIG. 5 is a rear perspective view thereof;
FIG. 6 is a top view thereof; and,
FIG. 7 is a bottom view thereof.

The broken lines are included for the purpose of illustrating environment and form no part of the claimed design.

1 Claim, 7 Drawing Sheets



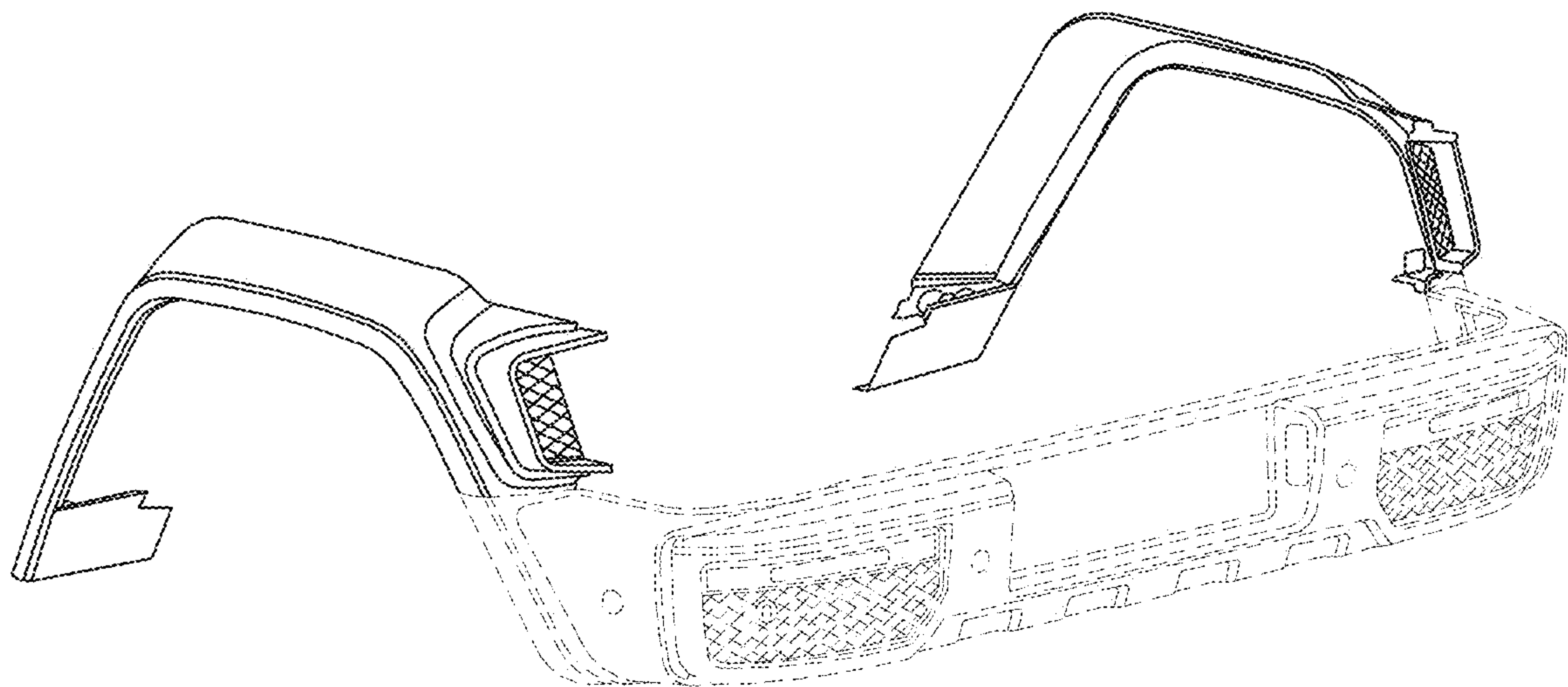


FIG. 1

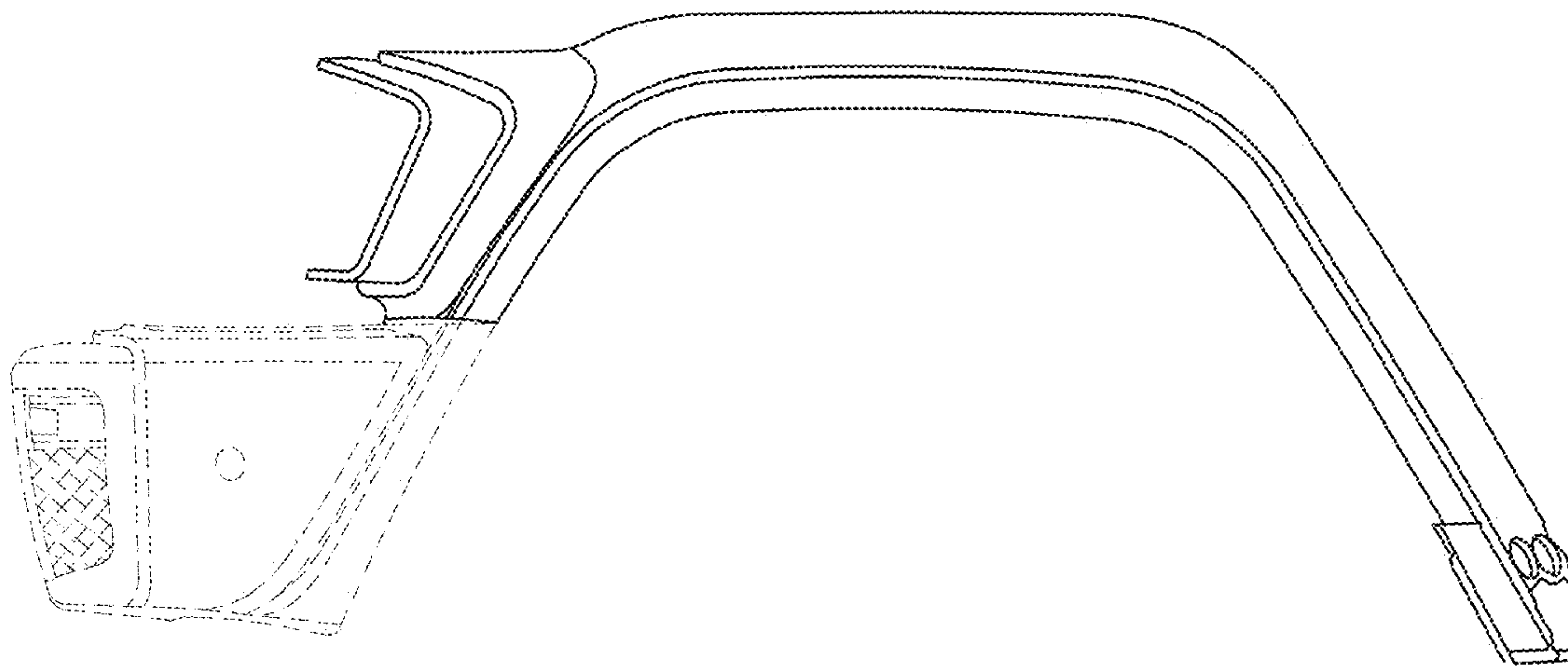


FIG. 2

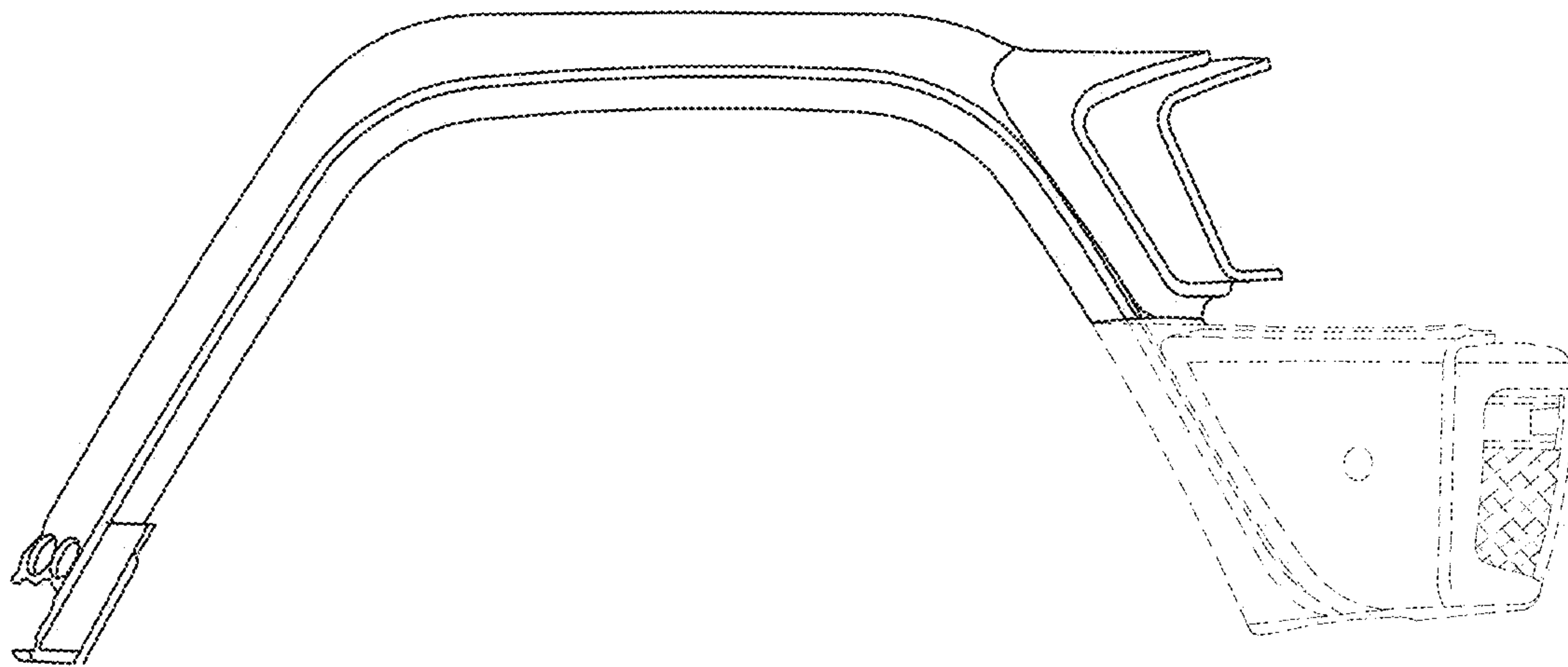


FIG. 3

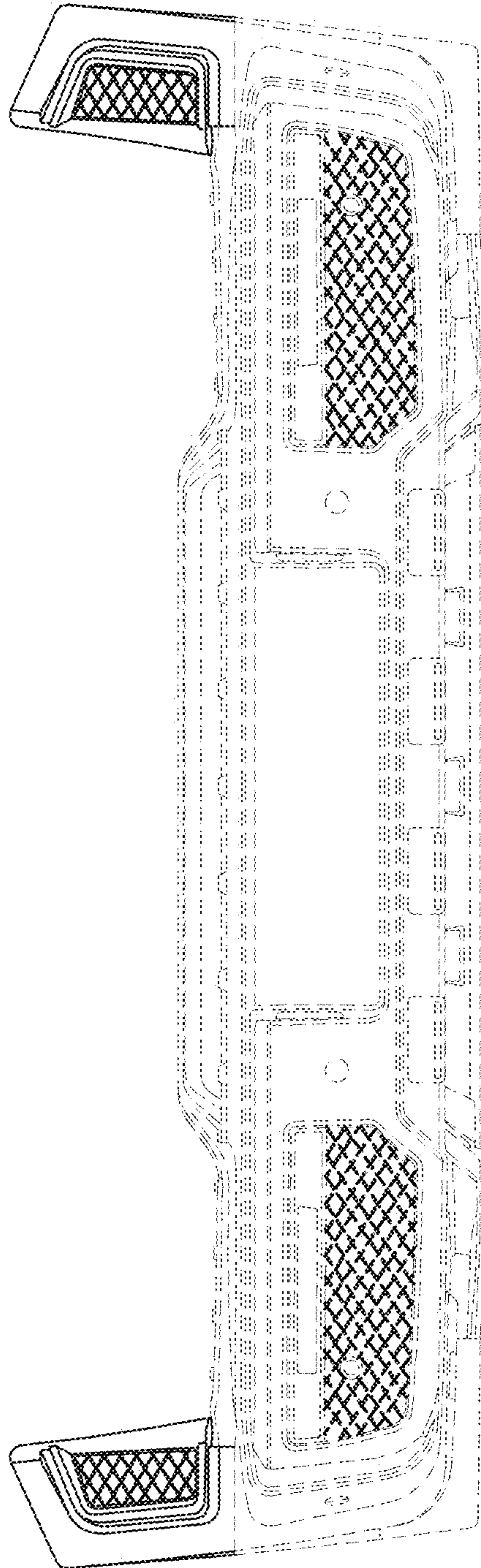


FIG. 4

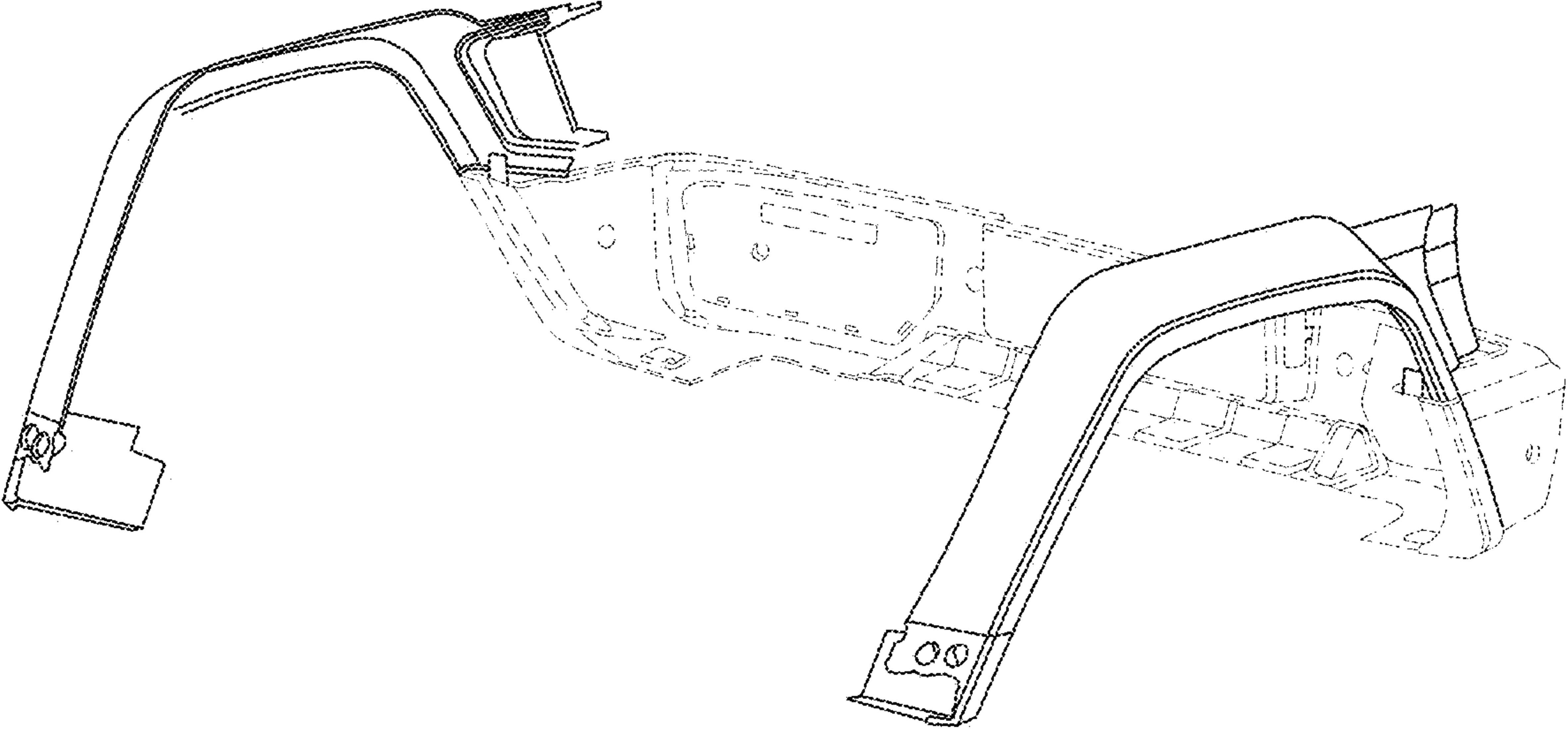


FIG. 5

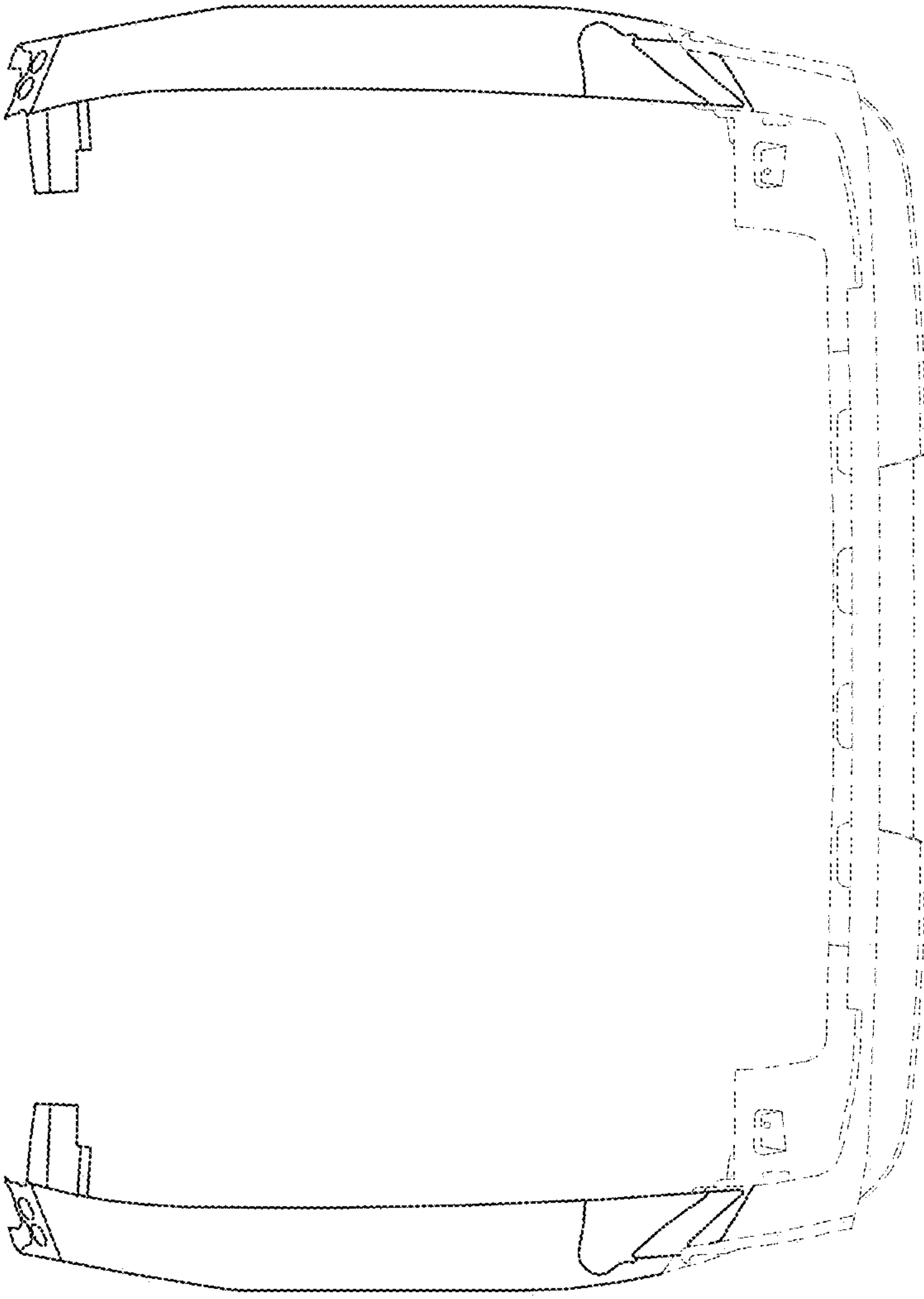


FIG. 6

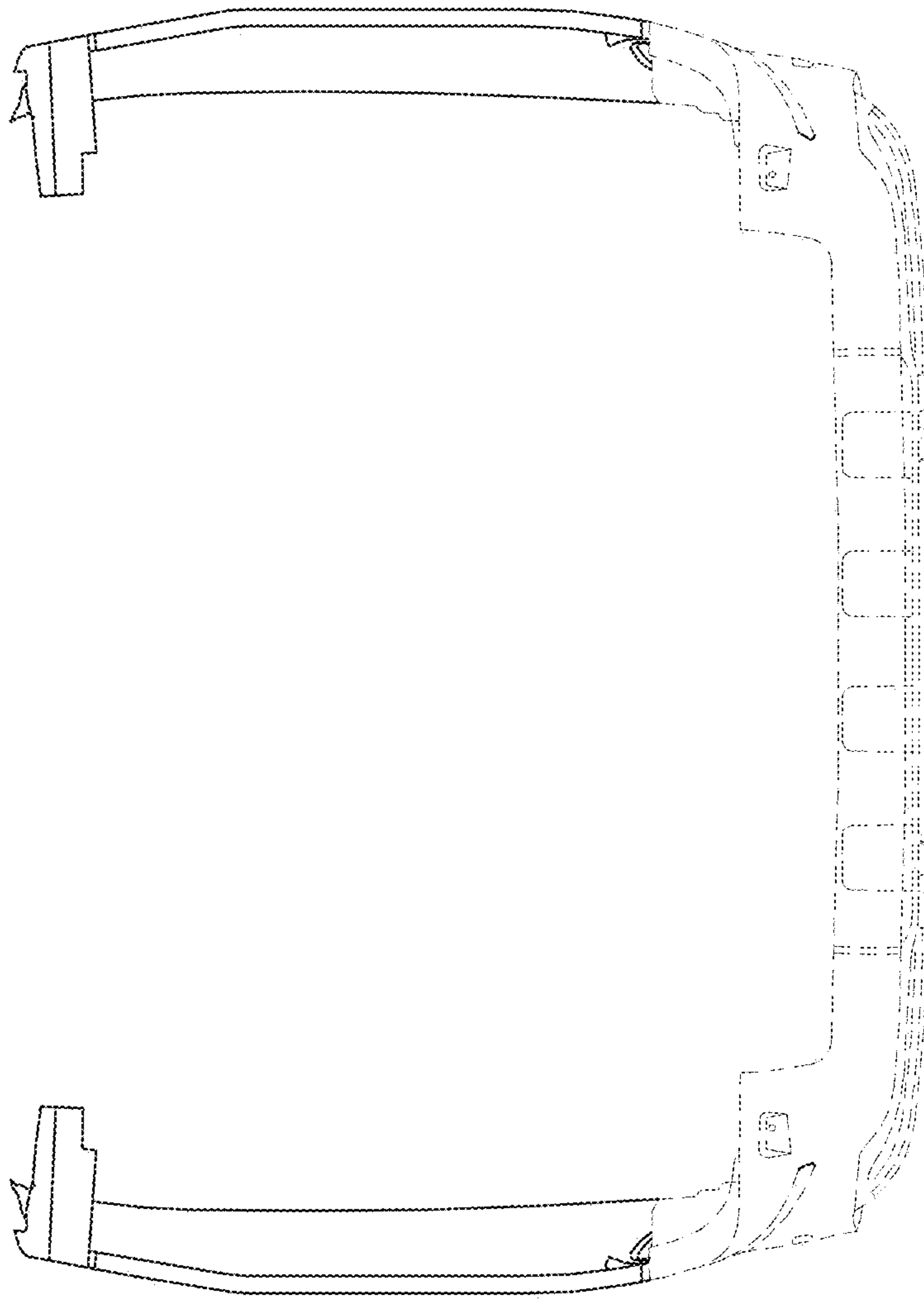


FIG. 7

UNITED STATES PATENT AND TRADEMARK OFFICE
CERTIFICATE OF CORRECTION

PATENT NO. : D896,143 S
APPLICATION NO. : 29/677334
DATED : September 15, 2020
INVENTOR(S) : Andreas Heinemann

Page 1 of 1

It is certified that error appears in the above-identified patent and that said Letters Patent is hereby corrected as shown below:

On the Title Page

Item (30) The foreign priority claim to European Union Intellectual Property Office Application No. 005509569-0001-0021, filed on July 20, 2018, should be included.

Signed and Sealed this
Thirtieth Day of March, 2021



Drew Hirshfeld
*Performing the Functions and Duties of the
Under Secretary of Commerce for Intellectual Property and
Director of the United States Patent and Trademark Office*