



US00D896141S

(12) **United States Design Patent** (10) **Patent No.:** **US D896,141 S**
von Holzhausen (45) **Date of Patent:** **** Sep. 15, 2020**

(54) **BACK GLASS**

(71) Applicant: **TESLA, INC.**, Palo Alto, CA (US)

(72) Inventor: **Franz von Holzhausen**, Malibu, CA (US)

(73) Assignee: **Tesla, Inc.**, Palo Alto, CA (US)

(**) Term: **15 Years**

(21) Appl. No.: **29/670,444**

(22) Filed: **Nov. 15, 2018**

(51) **LOC (12) Cl.** **12-16**

(52) **U.S. Cl.**
USPC **D12/183**

(58) **Field of Classification Search**
USPC D12/182-183, 317, 82, 84, 86, 93, 185,
D12/187, 171-172, 169, 166, 190, 196;
219/203; 296/84.1, 96.19, 97.1, 95.1,
296/96.12, 96.18, 97.2; 160/370.21,
160/370.22; 428/155, 172; D21/424-425
CPC B60J 1/00; B60J 1/001; B60J 1/002; B60J
1/02; B60J 1/18; B60J 1/008; B60R 1/06;
B32B 3/00; B32B 3/02; B32B 3/06;
B63D 25/10; B63D 25/16; B63D 25/168;
H05B 3/84; H05B 3/86
See application file for complete search history.

(56) **References Cited**

U.S. PATENT DOCUMENTS

D786,157 S * 5/2017 Schlavone D12/182
D792,820 S * 7/2017 Grech D12/182

D813,763 S * 3/2018 Bucher D12/182
D813,766 S * 3/2018 Woodhouse D12/182
D818,913 S * 5/2018 Grech D12/182
D821,276 S * 6/2018 Gueler D12/182
D826,809 S * 8/2018 Schiavone D12/182
D875,005 S * 2/2020 von Holzhausen D12/182

* cited by examiner

Primary Examiner — Abraham Bahta

(74) *Attorney, Agent, or Firm* — Knobbe, Martens, Olson & Bear, LLP

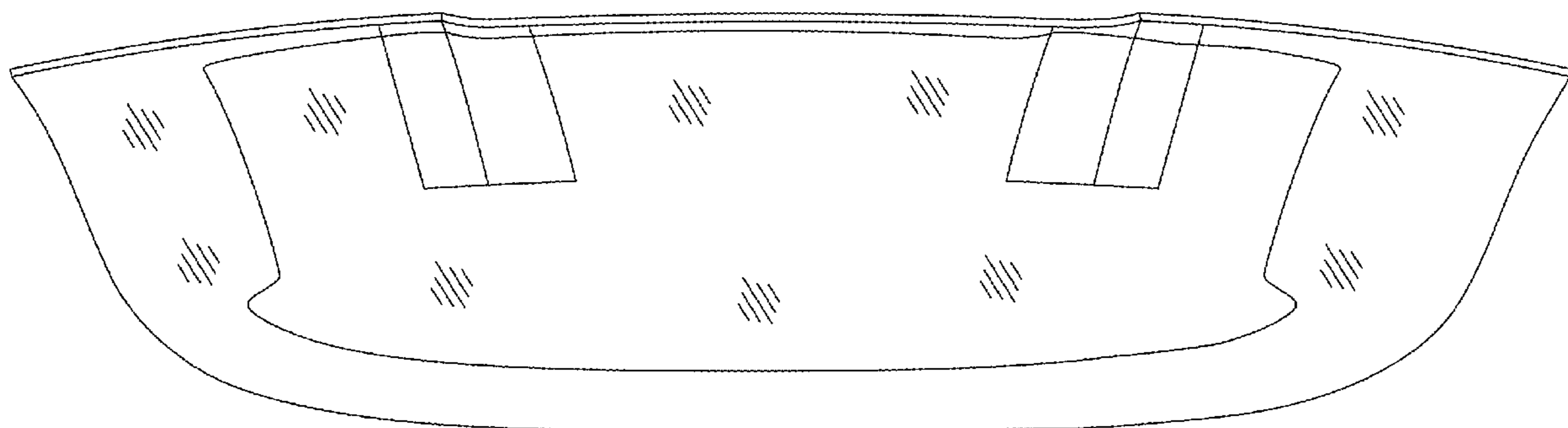
(57) **CLAIM**

The ornamental design for a back glass, as shown and described.

DESCRIPTION

FIG. 1 is a back view of a back glass.
FIG. 2 is a bottom view of the back glass of FIG. 1.
FIG. 3 is a front view of the back glass of FIG. 1.
FIG. 4 is an isometric view of the back glass of FIG. 1.
FIG. 5 is a left-side view of the back glass of FIG. 1.
FIG. 6 is a right-side view of the back glass of FIG. 1; and,
FIG. 7 is a top view of the back glass of FIG. 1.
The items shown with broken lines form no part of the claimed design.

1 Claim, 7 Drawing Sheets



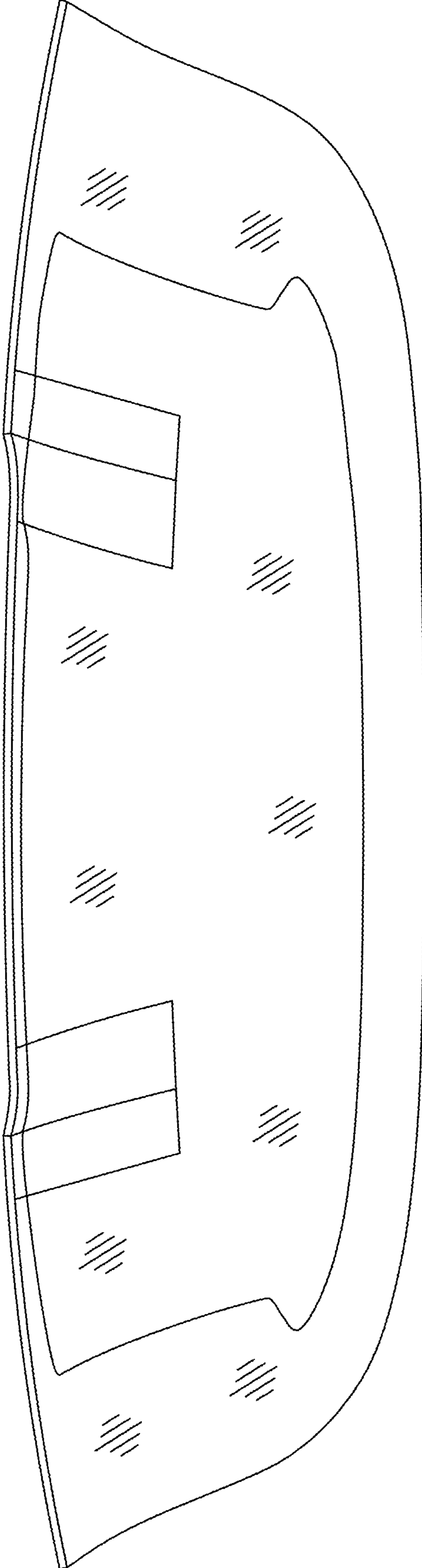


FIG. 1

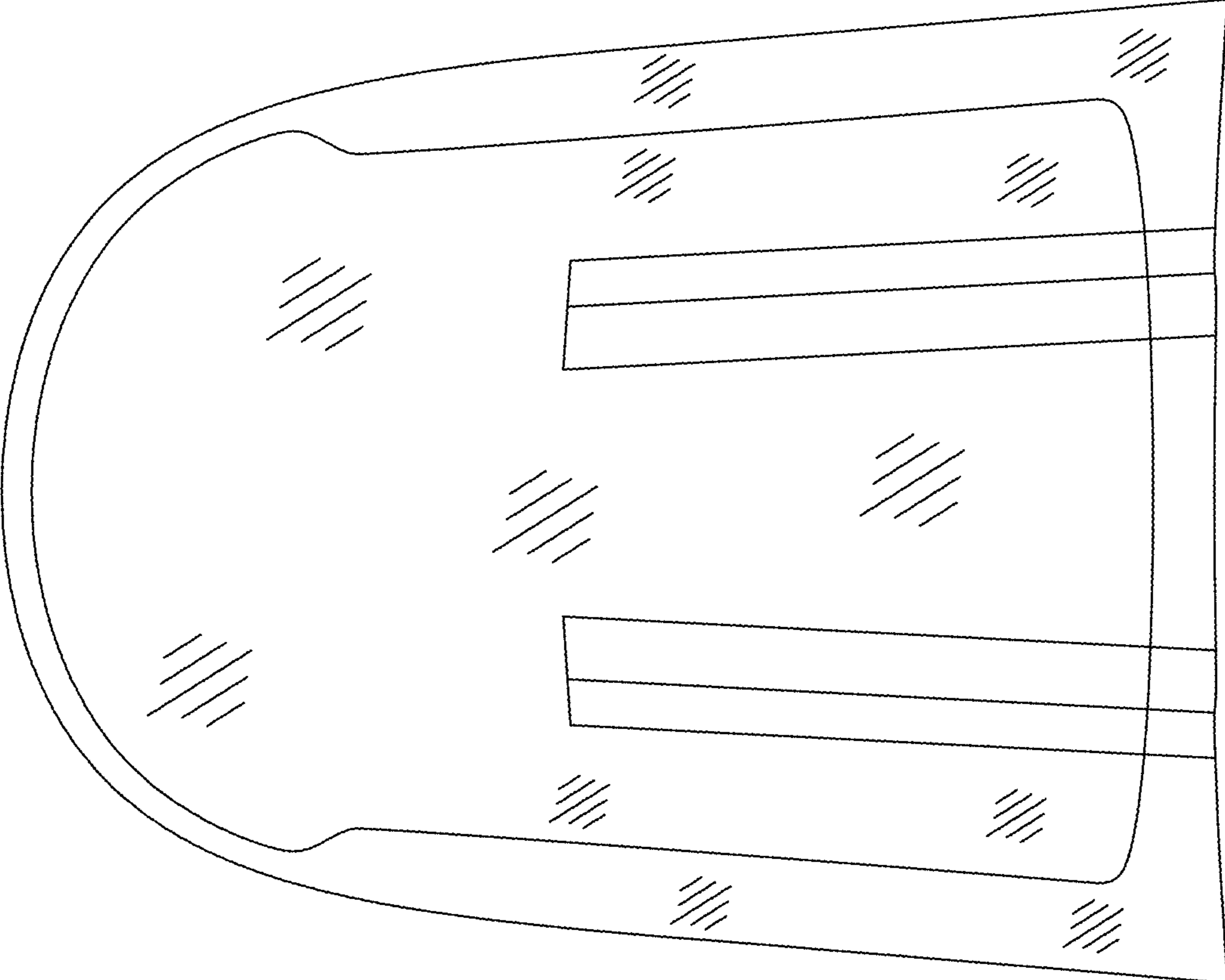


FIG. 2

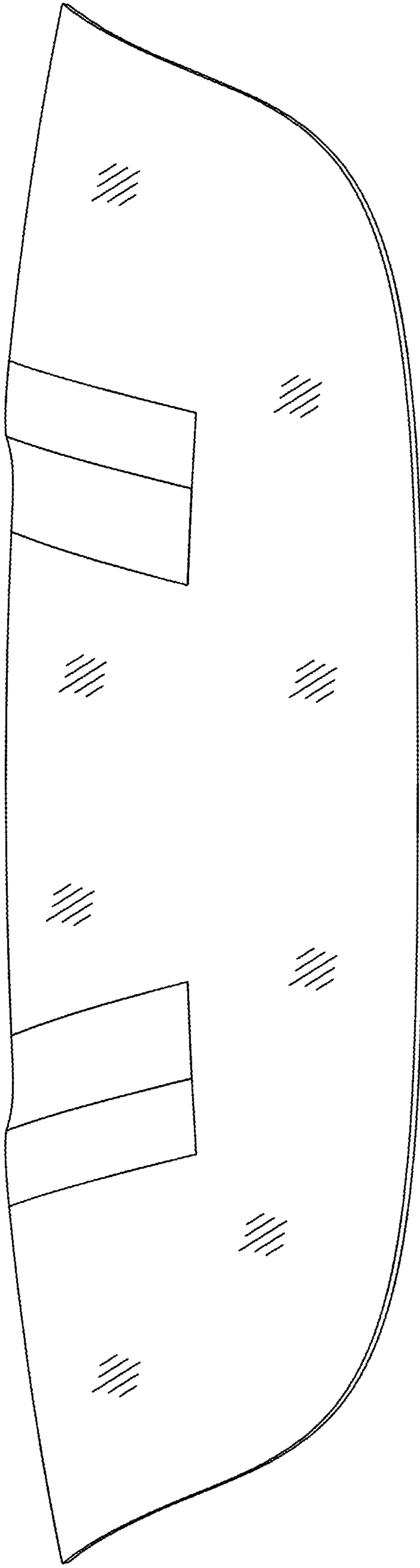


FIG. 3

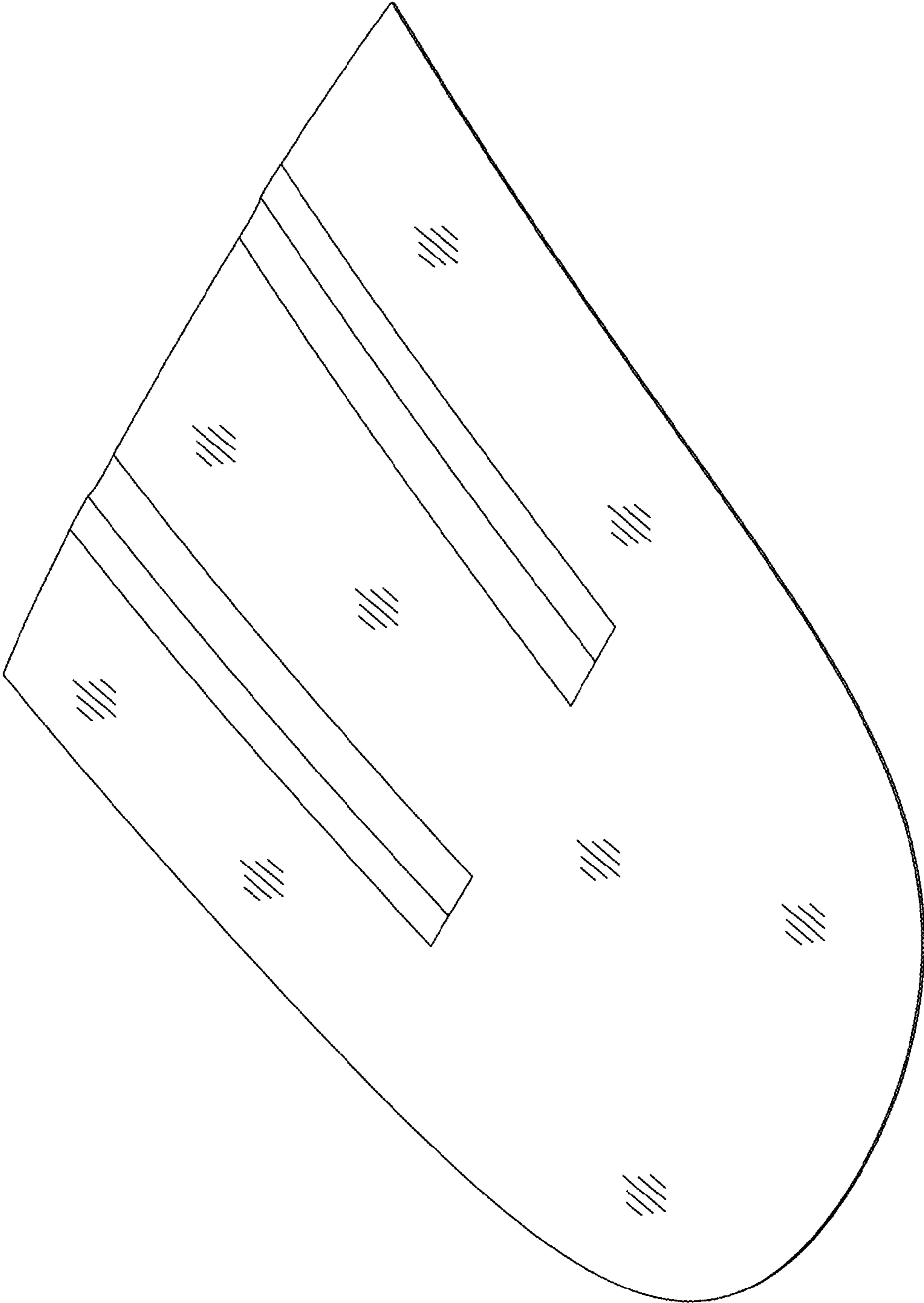


FIG. 4

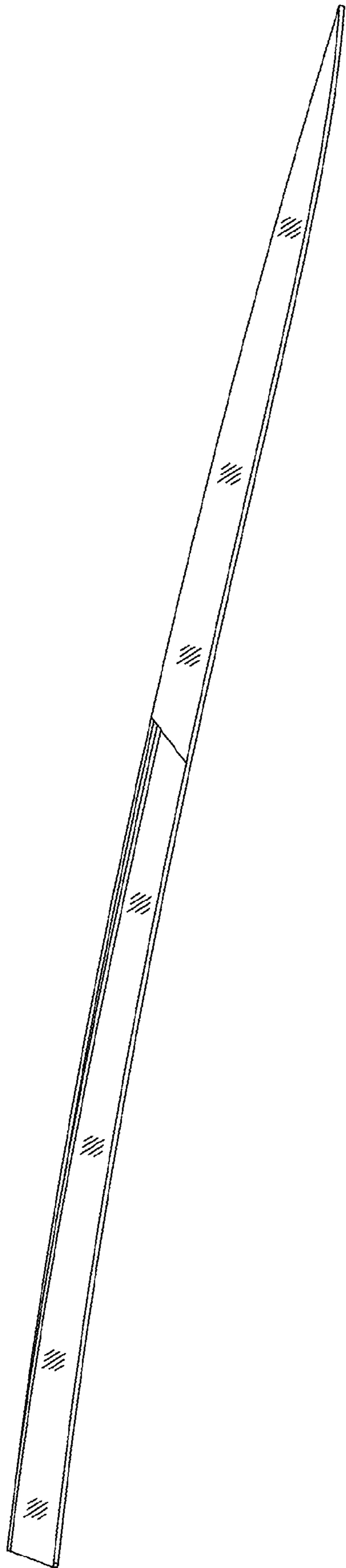


FIG. 5

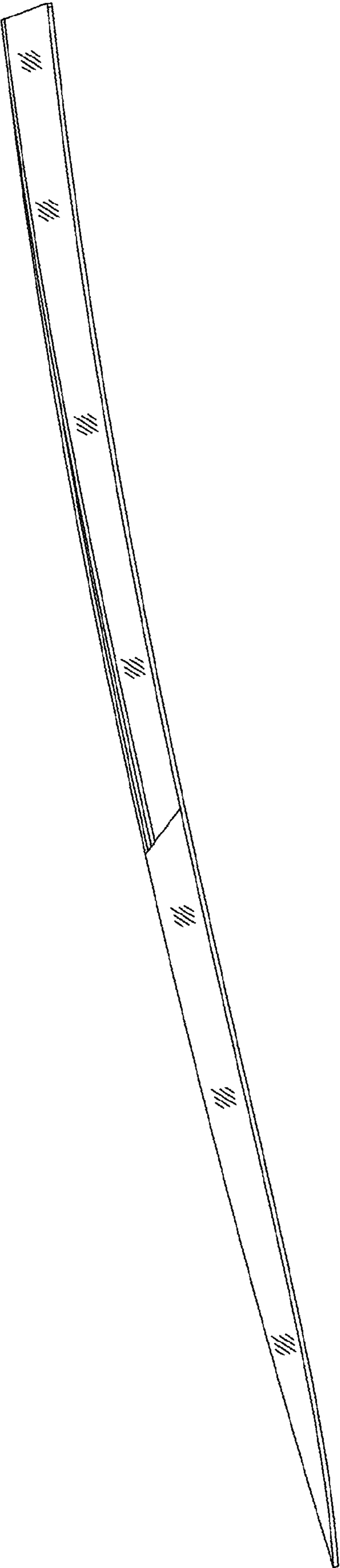


FIG. 6

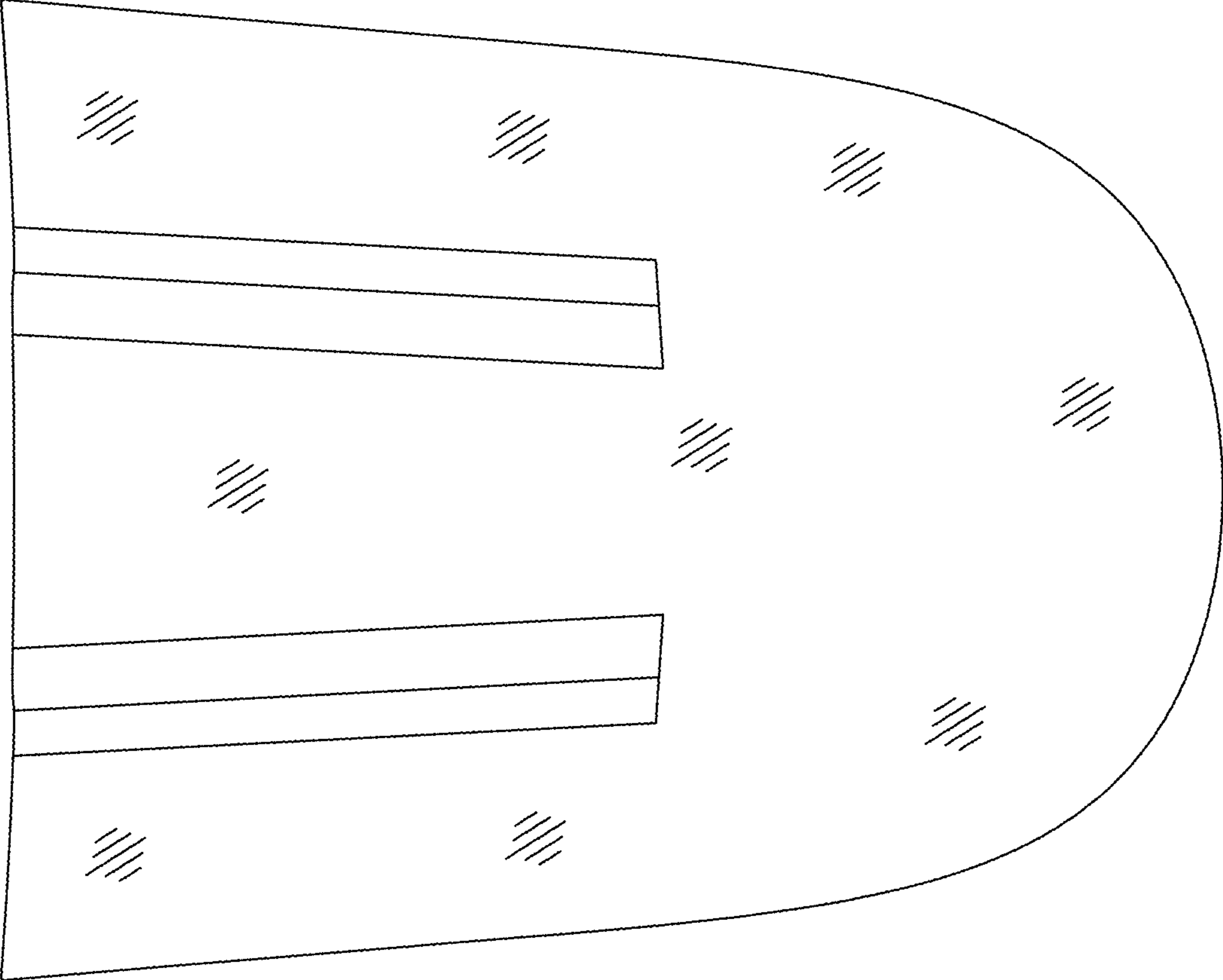


FIG. 7