

US00D896137S

(12) **United States Design Patent** (10) **Patent No.:** **US D896,137 S**
Siegel et al. (45) **Date of Patent:** **** Sep. 15, 2020**

(54) **ROTATING HITCH ASSEMBLY**
(71) Applicant: **HORIZON GLOBAL AMERICAS INC.**, Plymouth, MI (US)
(72) Inventors: **Theodore J. Siegel**, Mayfield Heights, OH (US); **Eric Yukich**, Stow, OH (US); **Michael Maurer**, Euclid, OH (US); **Douglas Soulsby**, Stow, OH (US); **Alex Burrows**, Euclid, OH (US); **Alex Meyer**, Cleveland, OH (US)
(73) Assignee: **HORIZON GLOBAL AMERICAS INC.**, Plymouth, MI (US)
(**) Term: **15 Years**
(21) Appl. No.: **29/703,907**
(22) Filed: **Aug. 30, 2019**

Related U.S. Application Data

(62) Division of application No. 29/614,522, filed on Aug. 21, 2017, now Pat. No. Des. 858,368.
(51) **LOC (12) Cl.** **12-16**
(52) **U.S. Cl.**
USPC **D12/162**
(58) **Field of Classification Search**
USPC D12/159-162
CPC . B60D 1/60; B60D 1/065; B60D 1/00; B60D 1/06; B60D 1/36
See application file for complete search history.

References Cited

U.S. PATENT DOCUMENTS

D414,732 S * 10/1999 Redmond D12/162
D797,010 S 9/2017 Verboeket
D800,611 S 10/2017 Ramirez
D803,108 S 11/2017 Liu
D809,053 S 1/2018 Carnevali

D814,549 S 4/2018 Carnevali
D825,401 S 8/2018 Stickle
D828,240 S 9/2018 Williams
D832,155 S 10/2018 Siegel
D832,156 S 10/2018 Johns
D834,464 S 11/2018 Cincunegui
D837,698 S 1/2019 Song
D854,971 S * 7/2019 McCuskey D12/162
D856,199 S * 8/2019 Siegel D12/162
D862,306 S * 10/2019 Porath B60D 1/605
D12/162
D862,308 S * 10/2019 Siegel D12/162
D870,605 S * 12/2019 Huebner D12/162
D873,723 S * 1/2020 Borkholder D12/162
D873,724 S * 1/2020 Borkholder D12/162
D875,620 S * 2/2020 Watson D12/162
D879,670 S * 3/2020 Borkholder D12/162
D880,376 S * 4/2020 Goodner D12/162
2017/0087947 A1 * 3/2017 Moore B60D 1/583

* cited by examiner

Primary Examiner — Katrina A Betton

(74) *Attorney, Agent, or Firm* — McDonald Hopkins LLC

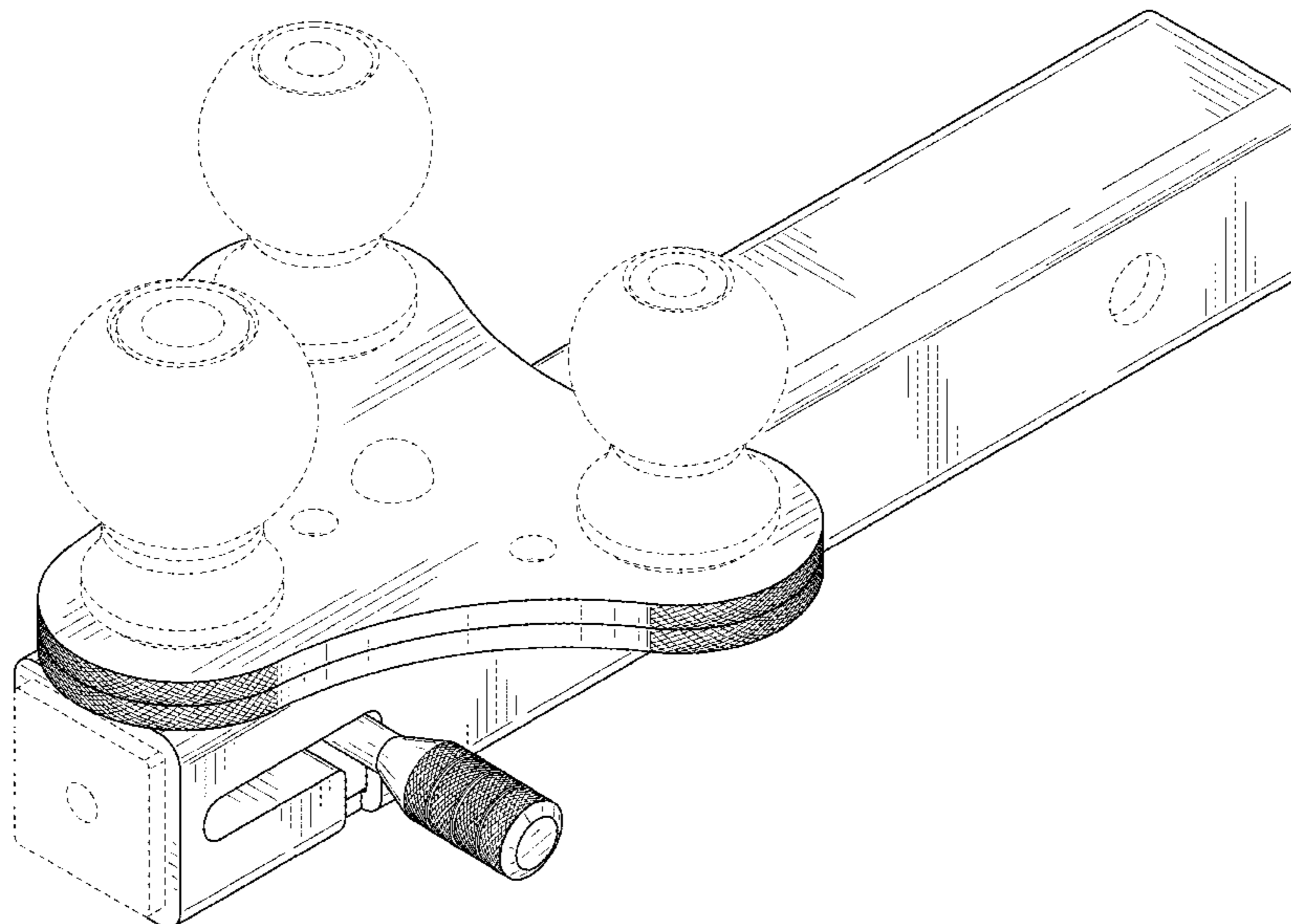
(57) **CLAIM**

The ornamental design for a rotating hitch assembly, as shown and described.

DESCRIPTION

FIG. 1 is a perspective view of a rotating hitch assembly showing our new design;
FIG. 2 is a first side view thereof;
FIG. 3 is a second side view thereof;
FIG. 4 is a rear side view thereof;
FIG. 5 is a front side view thereof;
FIG. 6 is a top view thereof; and,
FIG. 7 is a bottom view thereof.
The broken lines in the figures are included for the purpose of illustrating portions of a rotating hitch assembly and form no part of the claimed design.

1 Claim, 6 Drawing Sheets



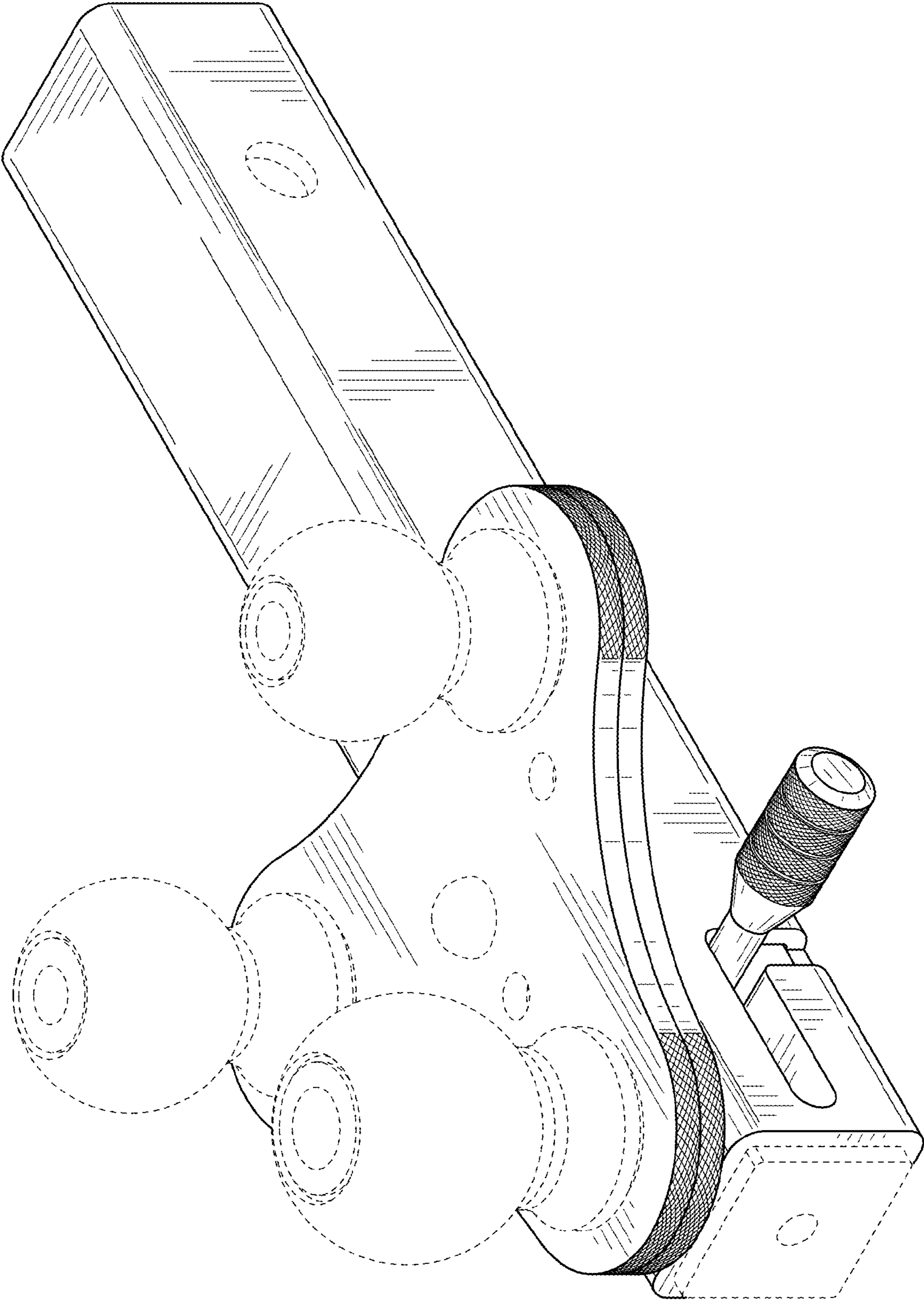


FIG. 1

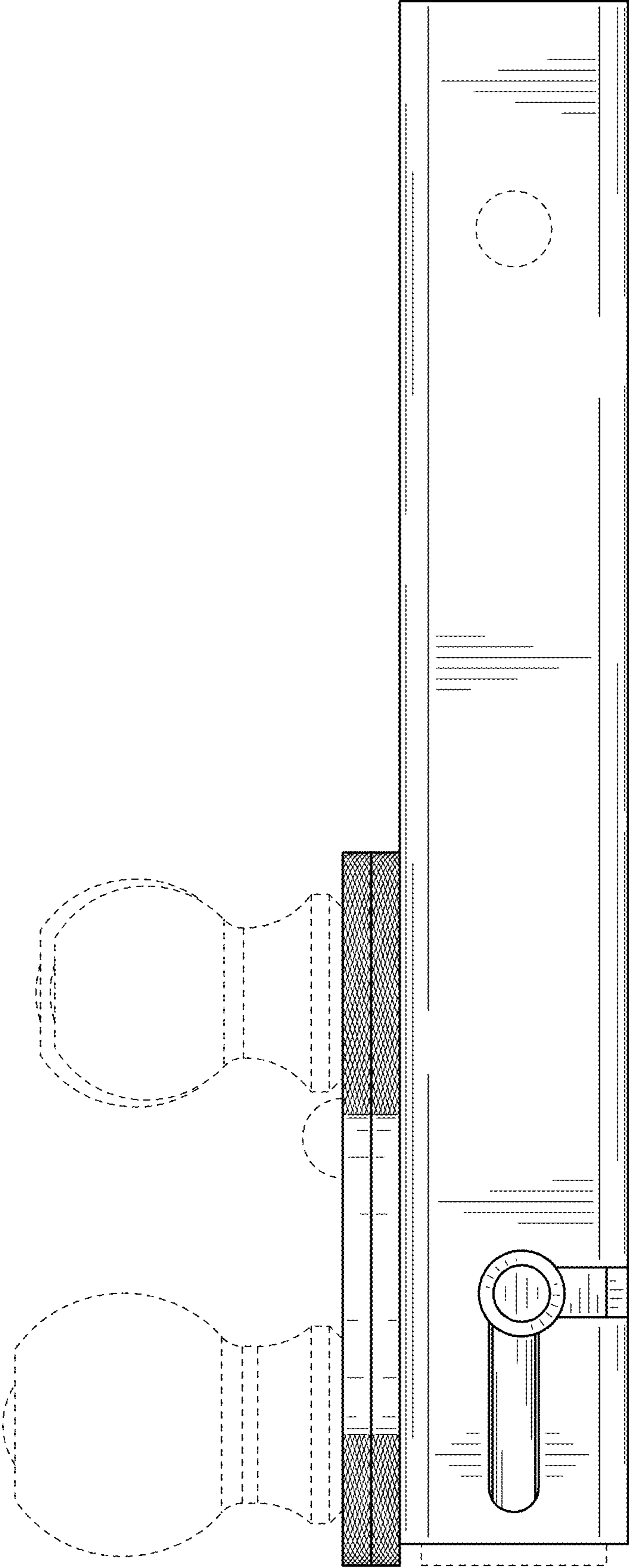


FIG. 2

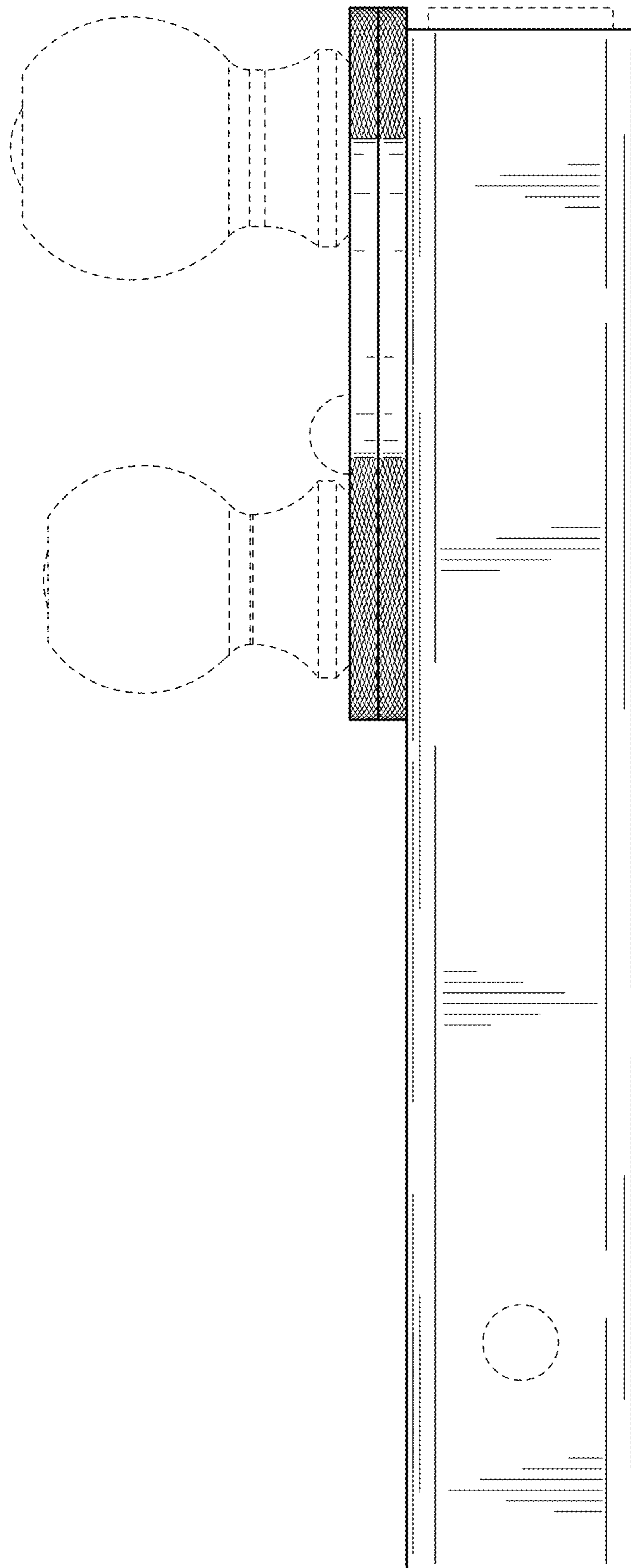


FIG. 3

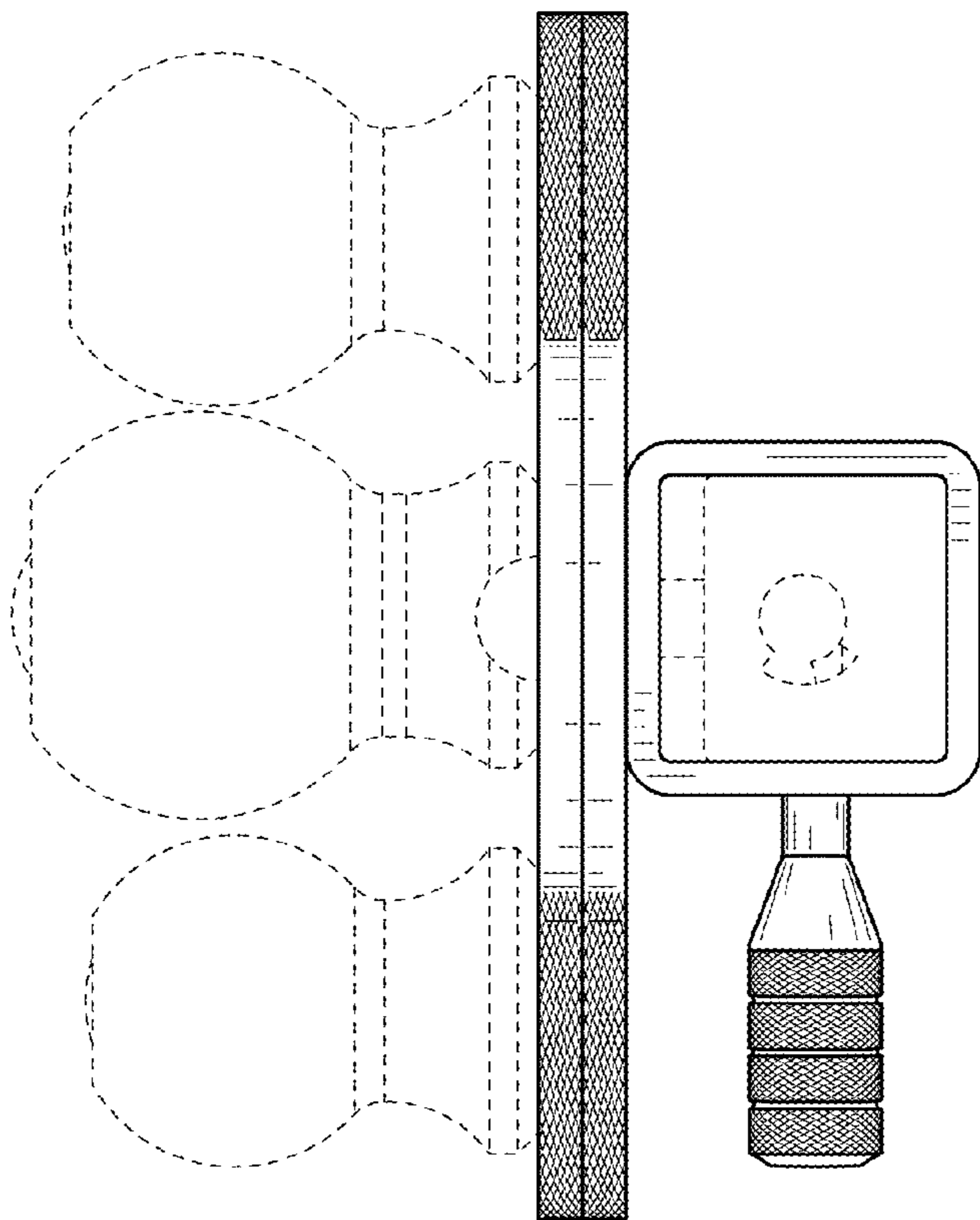


FIG. 4

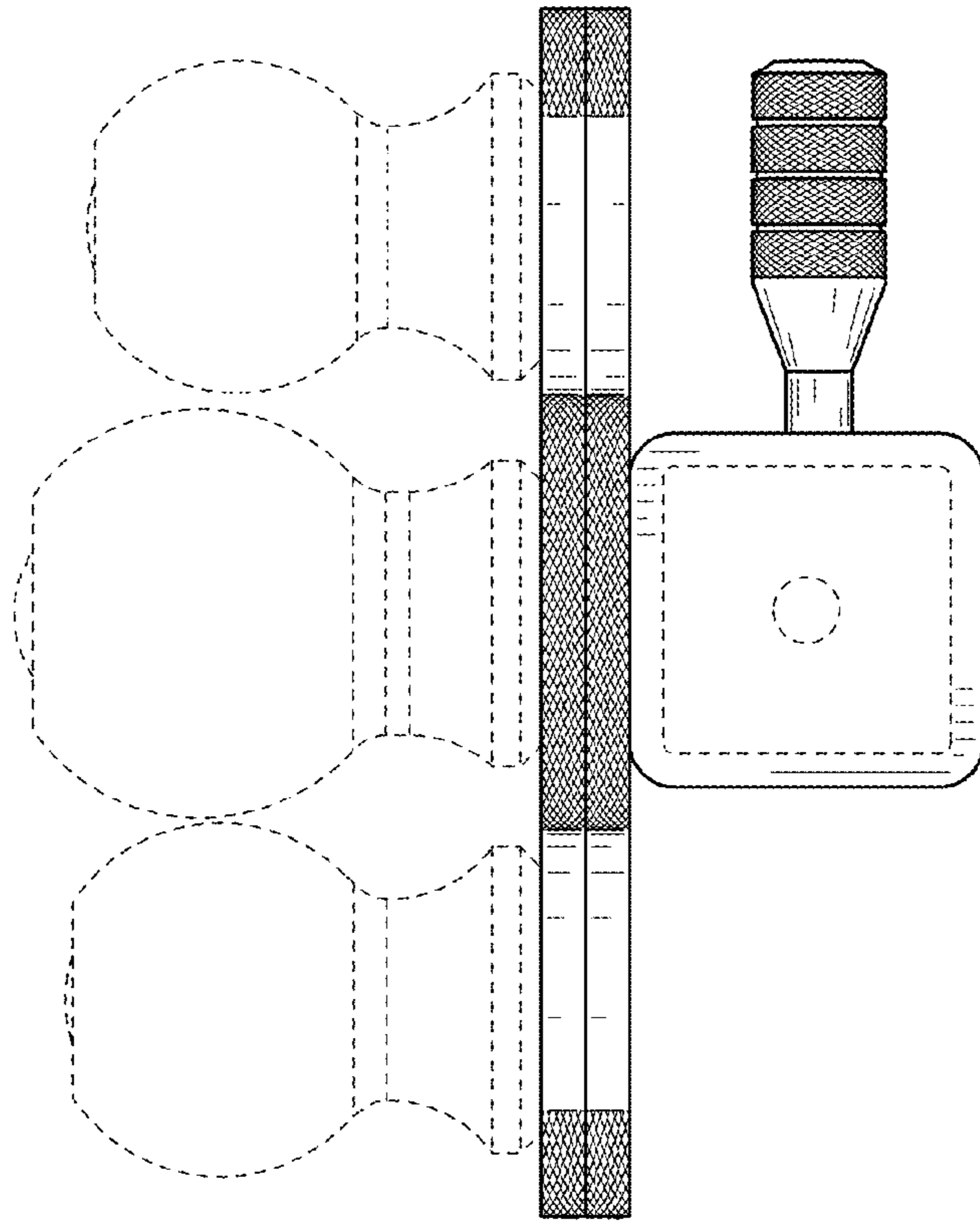


FIG. 5

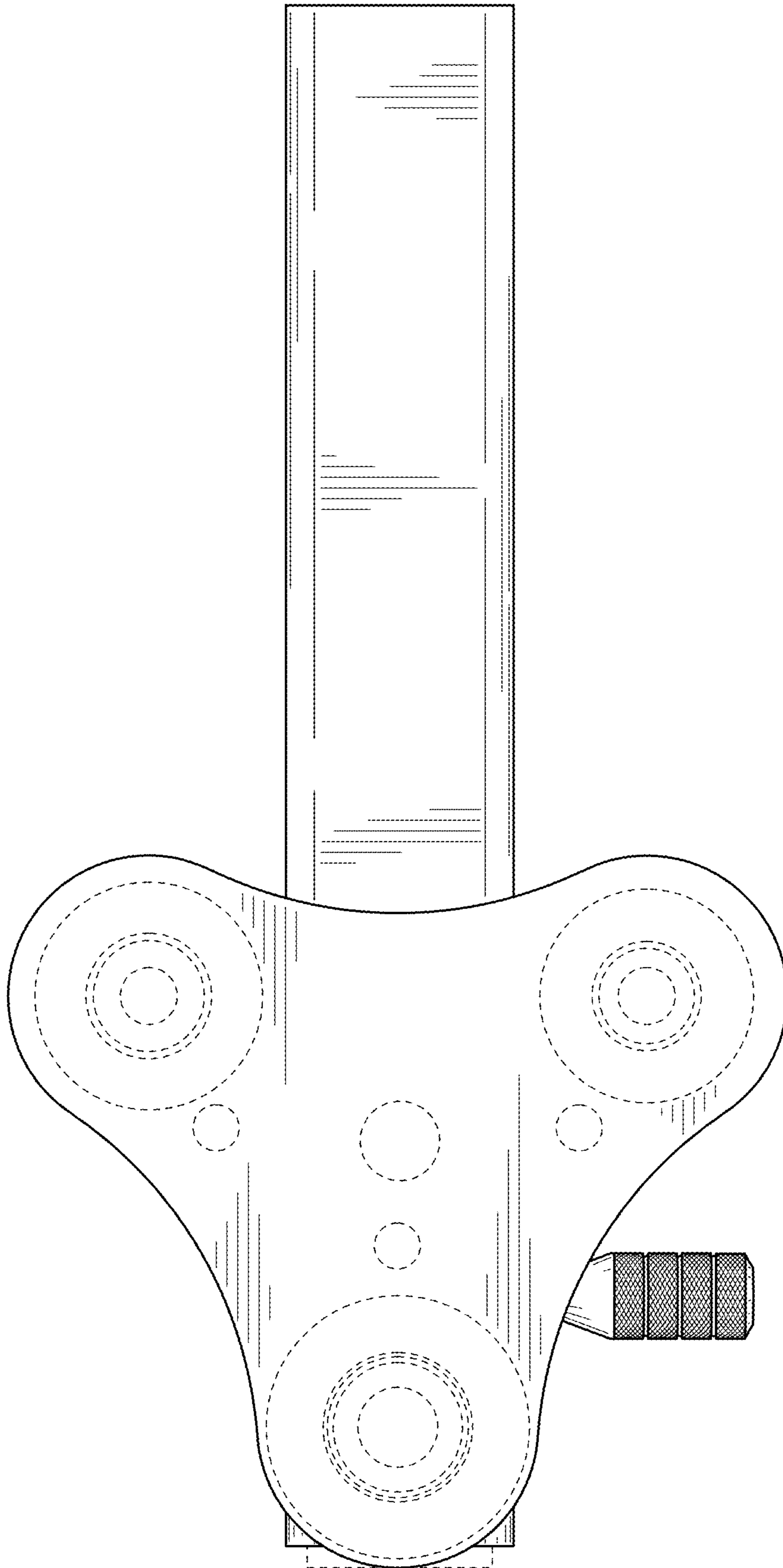


FIG. 6

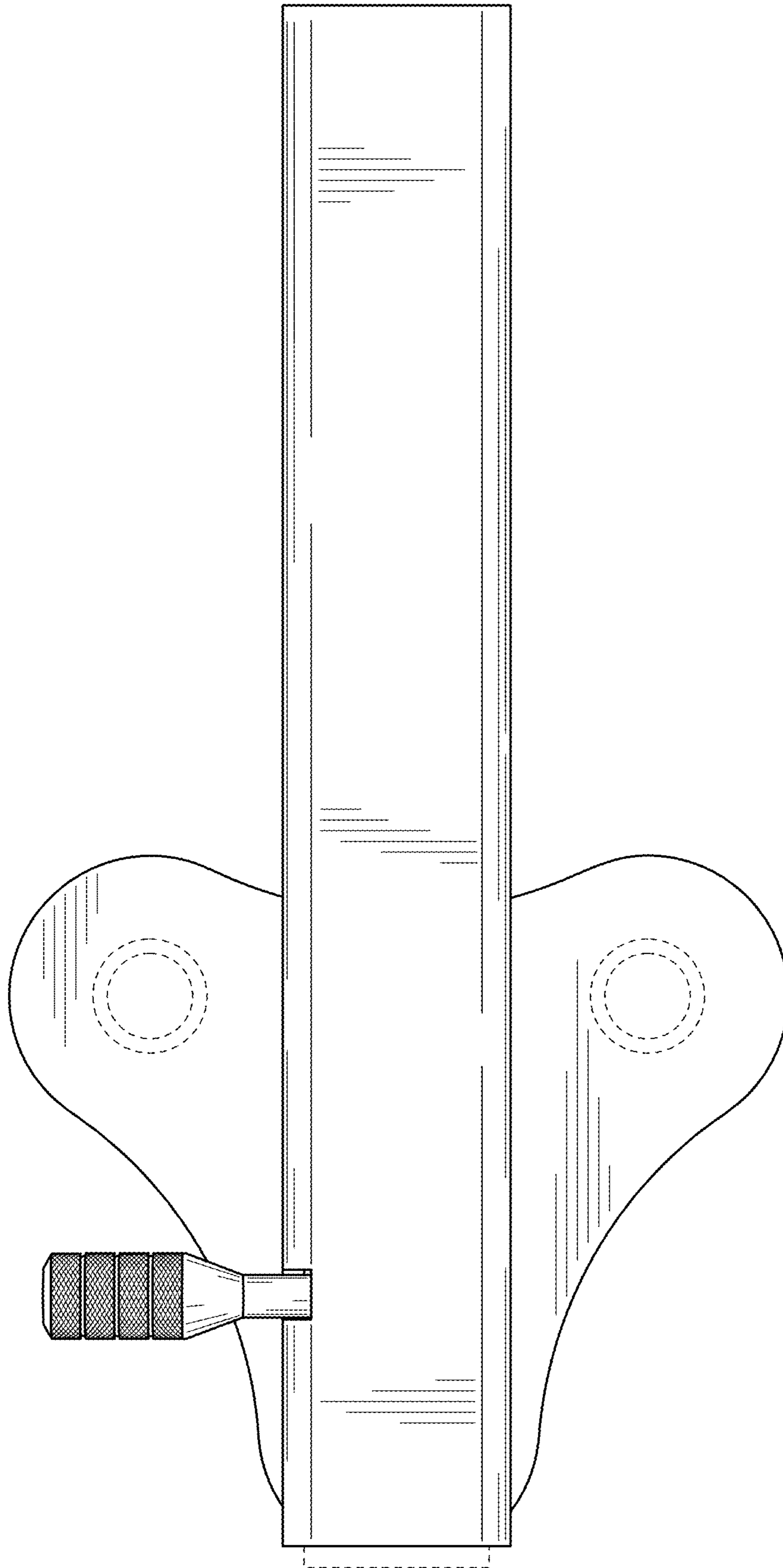


FIG. 7