



US00D896136S

(12) **United States Design Patent**
McQueen

(10) **Patent No.:** **US D896,136 S**

(45) **Date of Patent:** **** Sep. 15, 2020**

(54) **HITCH HOLDER**

(71) Applicant: **Andrew McQueen**, New Berlin, IL
(US)

(72) Inventor: **Andrew McQueen**, New Berlin, IL
(US)

(**) Term: **15 Years**

(21) Appl. No.: **29/691,215**

(22) Filed: **May 14, 2019**

(51) **LOC (12) Cl.** **12-16**

(52) **U.S. Cl.**
USPC **D12/162**

(58) **Field of Classification Search**

USPC D12/159-162, 203, 223, 400; 37/399;
280/406.2, 407, 407.1, 408, 411.1,
280/416.1-416.3, 418, 418.1, 433, 434,
280/435, 441.1, 441.2, 455.1, 456.1, 480,
280/493, 504, 507, 508; 224/42.11,
224/42.12, 42.14, 42.26, 400, 401, 412,
224/413, 488, 494, 500-501, 519, 537;
135/88.05; 150/166

CPC . B60D 1/065; B60D 1/00; B60D 1/06; B60D
1/36; B60D 1/46; B60R 9/06

See application file for complete search history.

(56) **References Cited**

U.S. PATENT DOCUMENTS

D419,505 S * 1/2000 Deerman D12/162
6,390,489 B1 * 5/2002 Friesen B60D 1/06
187/237
6,474,522 B1 * 11/2002 Johnson B60R 9/06
224/514
6,527,292 B2 * 3/2003 Adair B60D 1/485
280/491.3
6,554,311 B1 * 4/2003 Blankenship B60D 1/06
280/164.1

6,832,709 B2 * 12/2004 Henry B60D 1/06
224/403
D508,221 S * 8/2005 Rebick D12/162
D512,349 S * 12/2005 Stubblefield D12/162
D553,058 S * 10/2007 Chen D12/162
D555,549 S * 11/2007 Capuano D12/162
7,338,064 B1 * 3/2008 Williams B60D 1/54
280/491.1
D591,208 S * 4/2009 Wubker, Jr. D12/162
D612,775 S * 3/2010 Davis D12/162
D683,279 S * 5/2013 Borkholder D12/162

(Continued)

OTHER PUBLICATIONS

Zip's Receiver Hitch Holder, Zips.com, [online], [site visited May 8, 2020]. <URL: <https://zips.com/parts-detail/zip%27s-receiver-hitch-holder-zrsb202520>> (Year: 2020).*

(Continued)

Primary Examiner — T Chase Nelson

Assistant Examiner — Jonathan J. Han

(74) *Attorney, Agent, or Firm* — Law Offices of Robert M. Patino

(57)

CLAIM

I claim the ornamental design for a hitch holder, as shown and described.

DESCRIPTION

FIG. 1 is a front perspective view of a hitch holder showing my new design;

FIG. 2 is a rear perspective view thereof;

FIG. 3 is a rear elevation view thereof;

FIG. 4 is a front elevation view thereof;

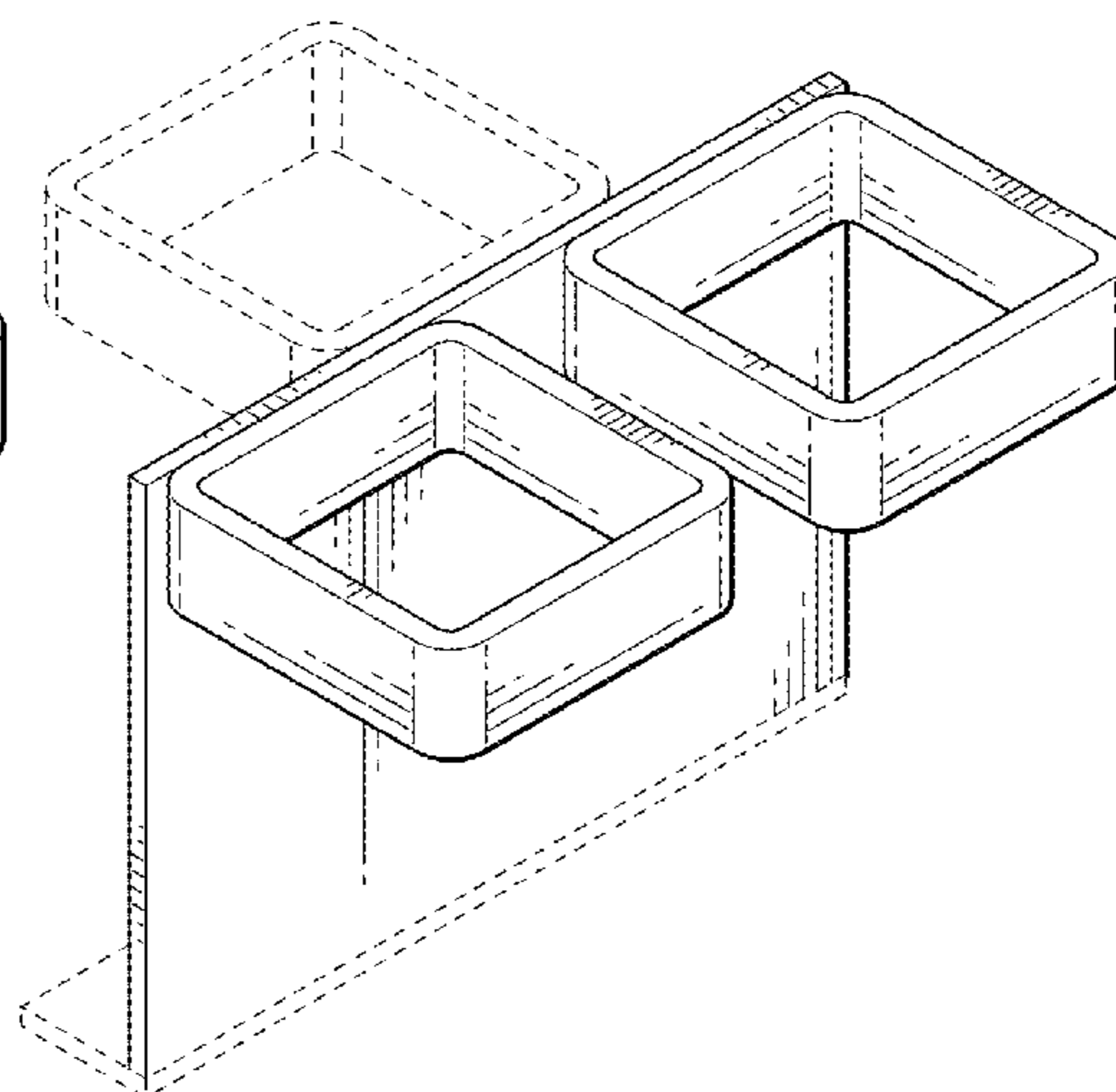
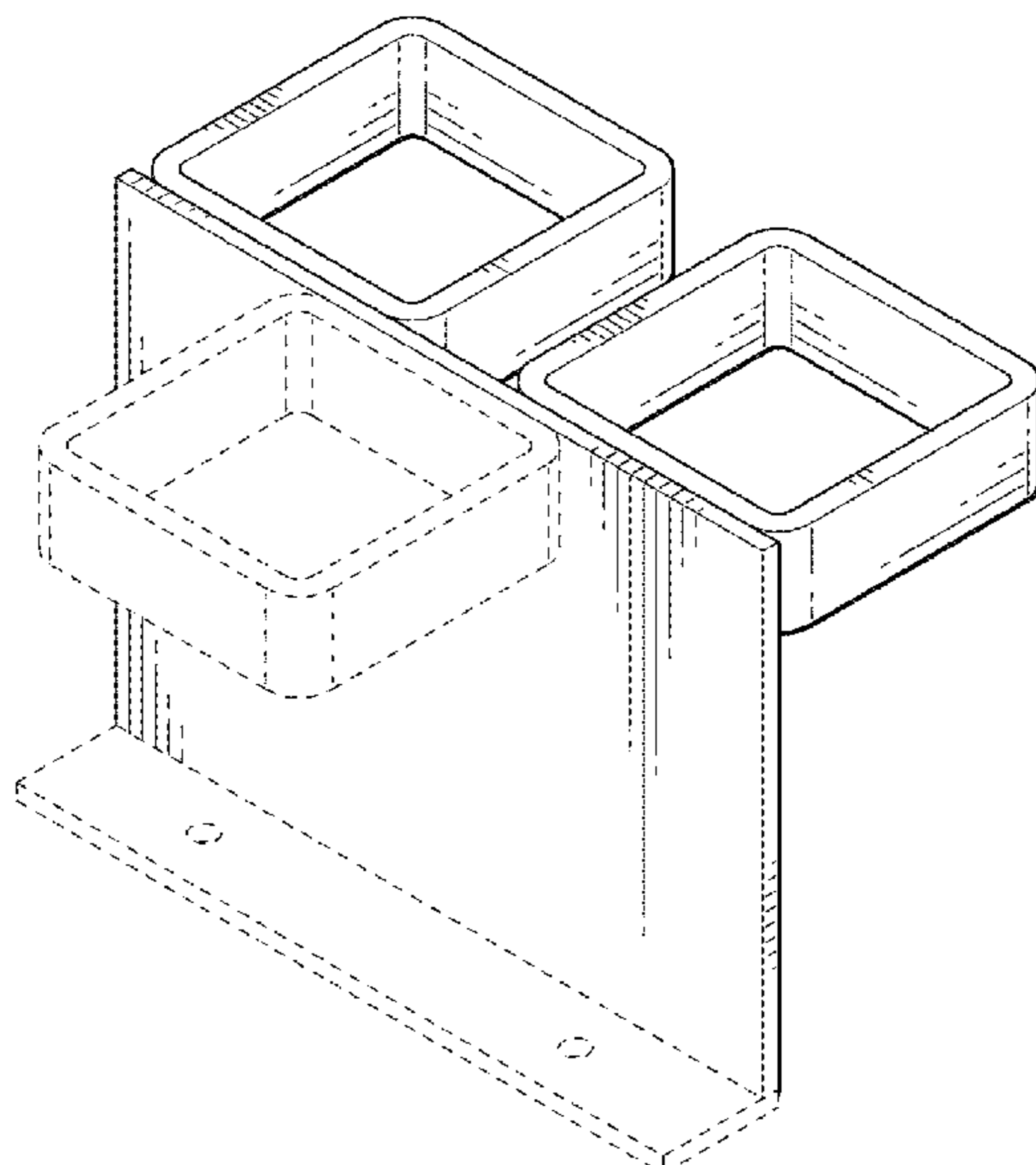
FIG. 5 is a top plan view thereof;

FIG. 6 is a bottom plan view thereof; and,

FIG. 7 is a left side elevation view thereof.

The broken lines in the drawings depict portions of the hitch holder that form no part of the claimed design.

1 Claim, 2 Drawing Sheets



(56)

References Cited

U.S. PATENT DOCUMENTS

8,469,429 B1 * 6/2013 Spronk B60R 11/00
296/37.1
D688,168 S * 8/2013 Buschman D12/162
D697,838 S * 1/2014 Borkholder D12/162
8,960,512 B2 * 2/2015 Maenle A01B 23/02
224/410
D727,803 S * 4/2015 Borkholder D12/162
D728,434 S * 5/2015 Borkholder D12/162
D749,020 S * 2/2016 McFarland D12/162
D793,916 S * 8/2017 Harrison D12/162
9,783,016 B2 * 10/2017 Forhan B60D 1/58
D802,490 S * 11/2017 McFarland D12/162
D874,357 S * 2/2020 Brennan D12/162
D881,078 S * 4/2020 Rebick D12/162
2006/0220347 A1 * 10/2006 Witchey B60D 1/06
280/507
2010/0314899 A1 * 12/2010 Slacks B60R 11/06
296/37.6
2012/0049484 A1 * 3/2012 Brass B60D 1/60
280/507
2016/0001711 A1 * 1/2016 Hughes B60R 9/06
224/403

OTHER PUBLICATIONS

Curt Front Mount Trailer Hitch License Plate Holder, eTrailer.com,
[online], [site visited May 8, 2020]. <URL: <https://www.etrailer.com/Accessories-and-Parts/Curt/C31002.html>> (Year: 2020).*

* cited by examiner

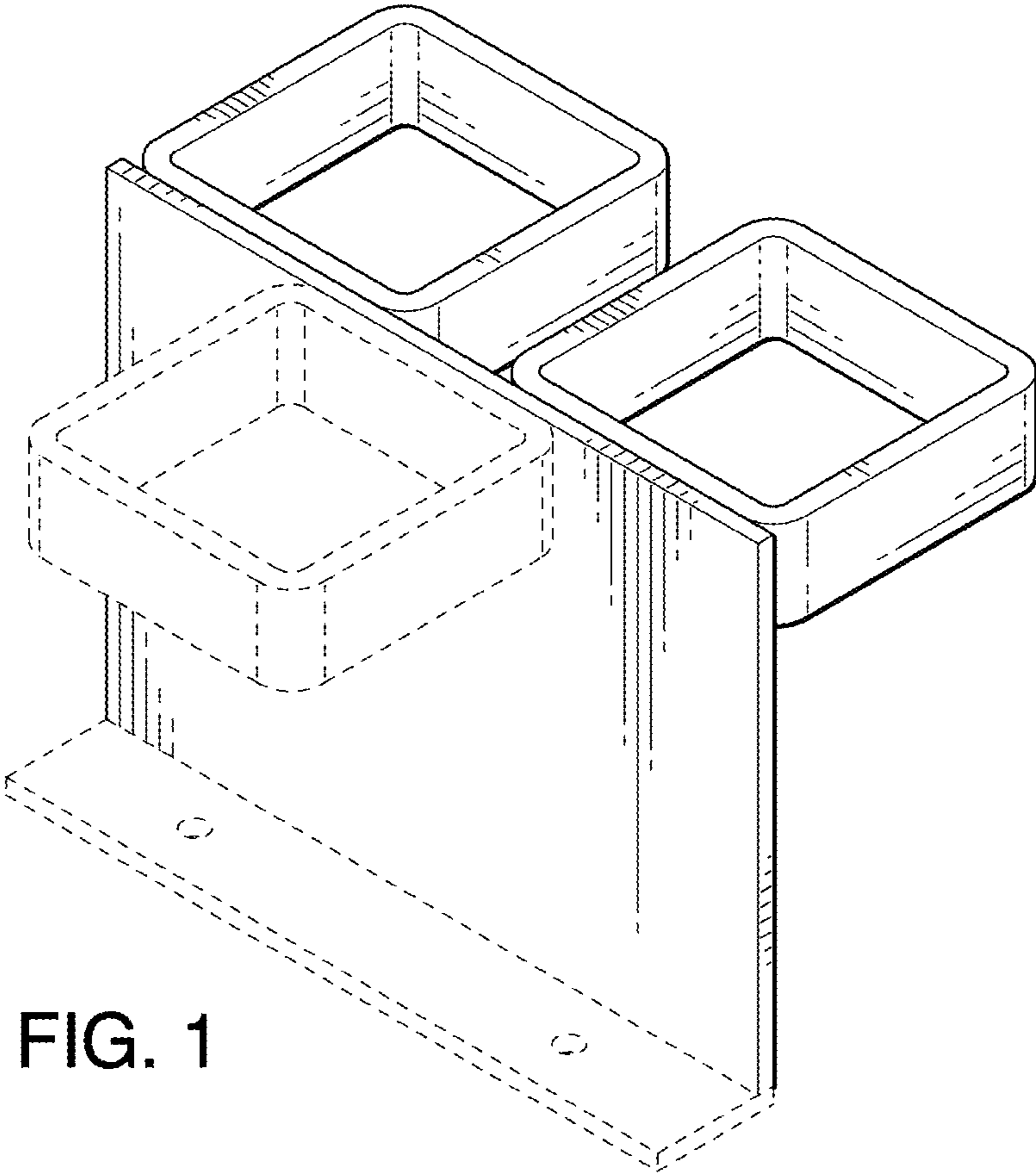


FIG. 1

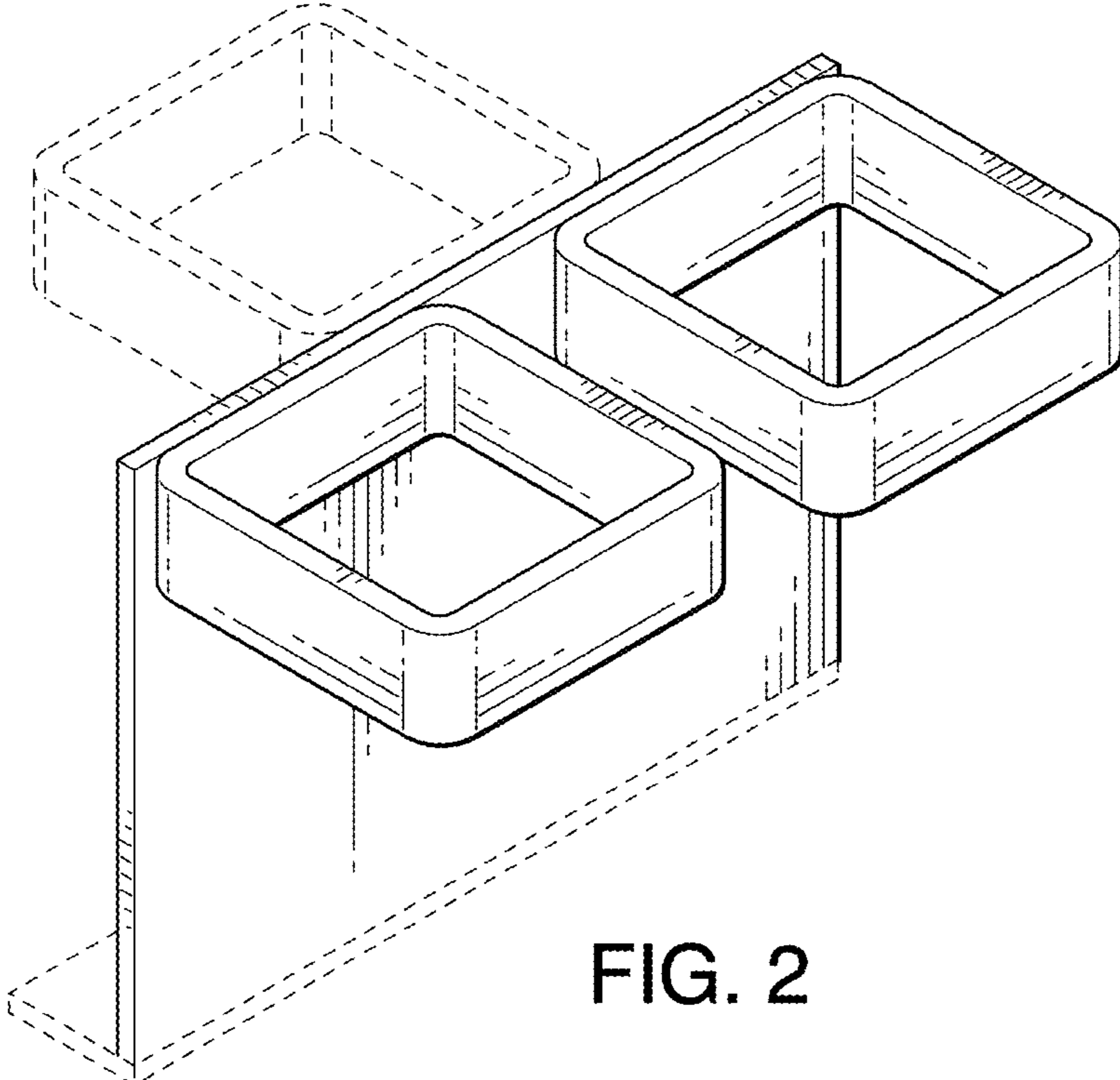


FIG. 2

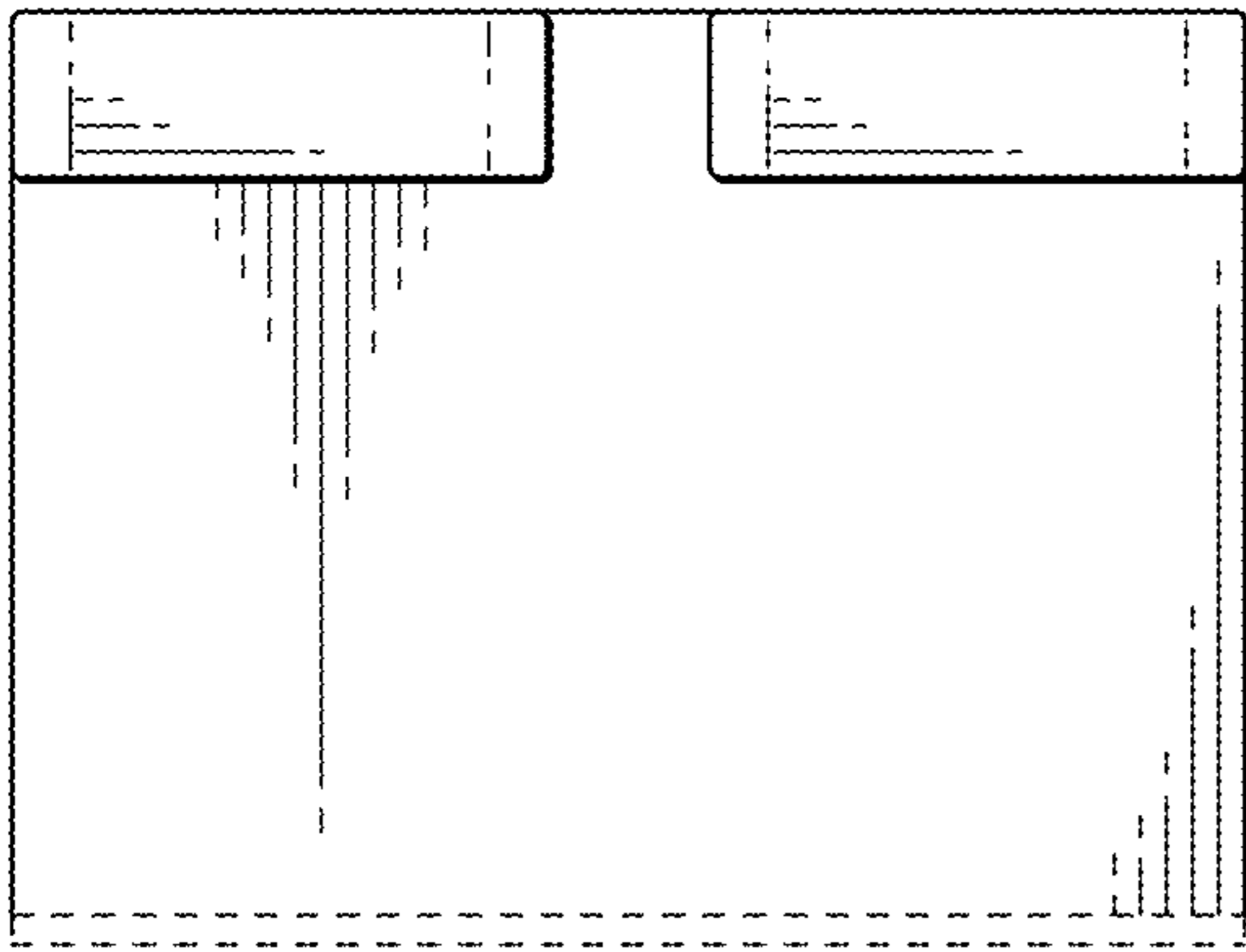


FIG. 3

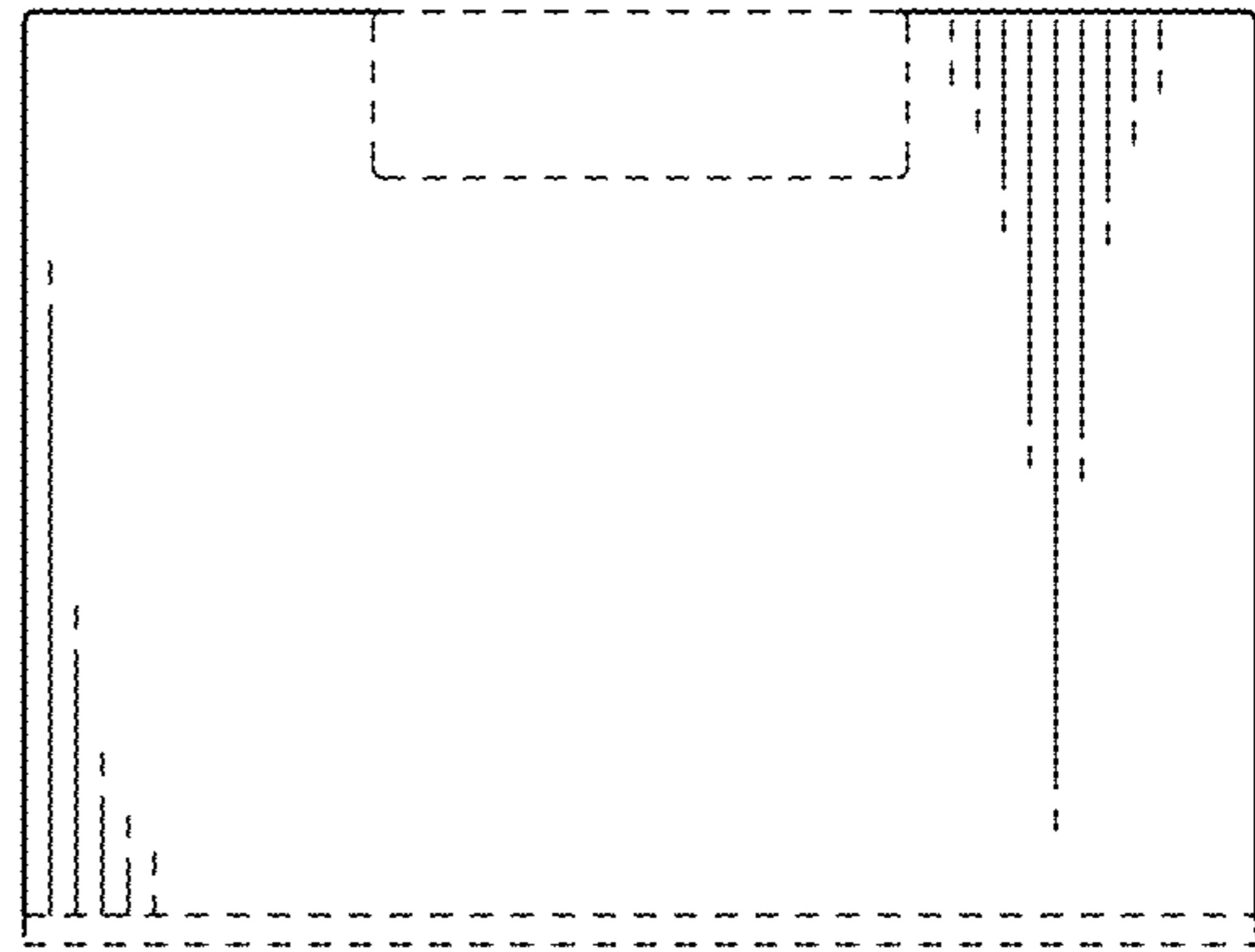


FIG. 4

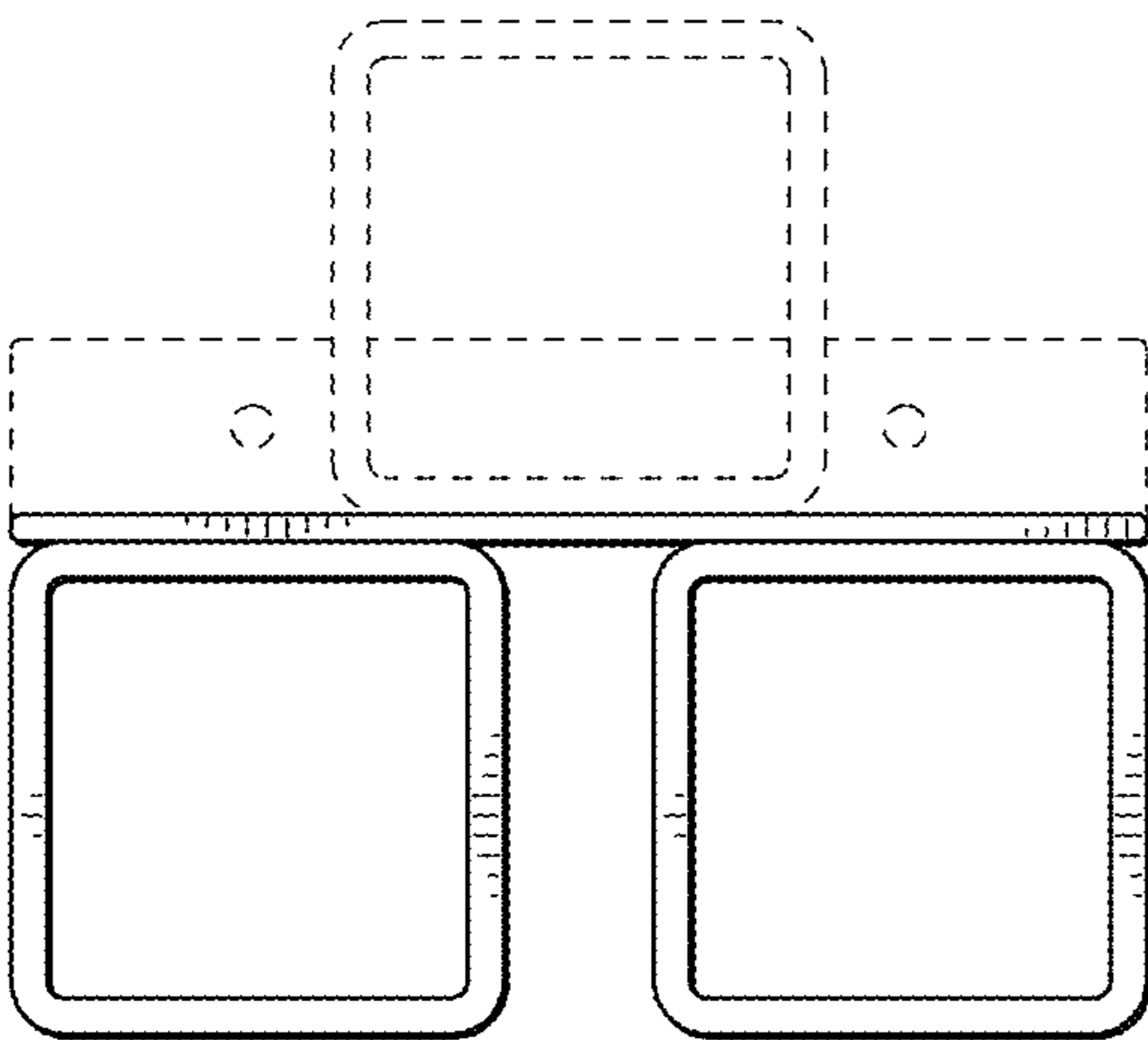


FIG. 5

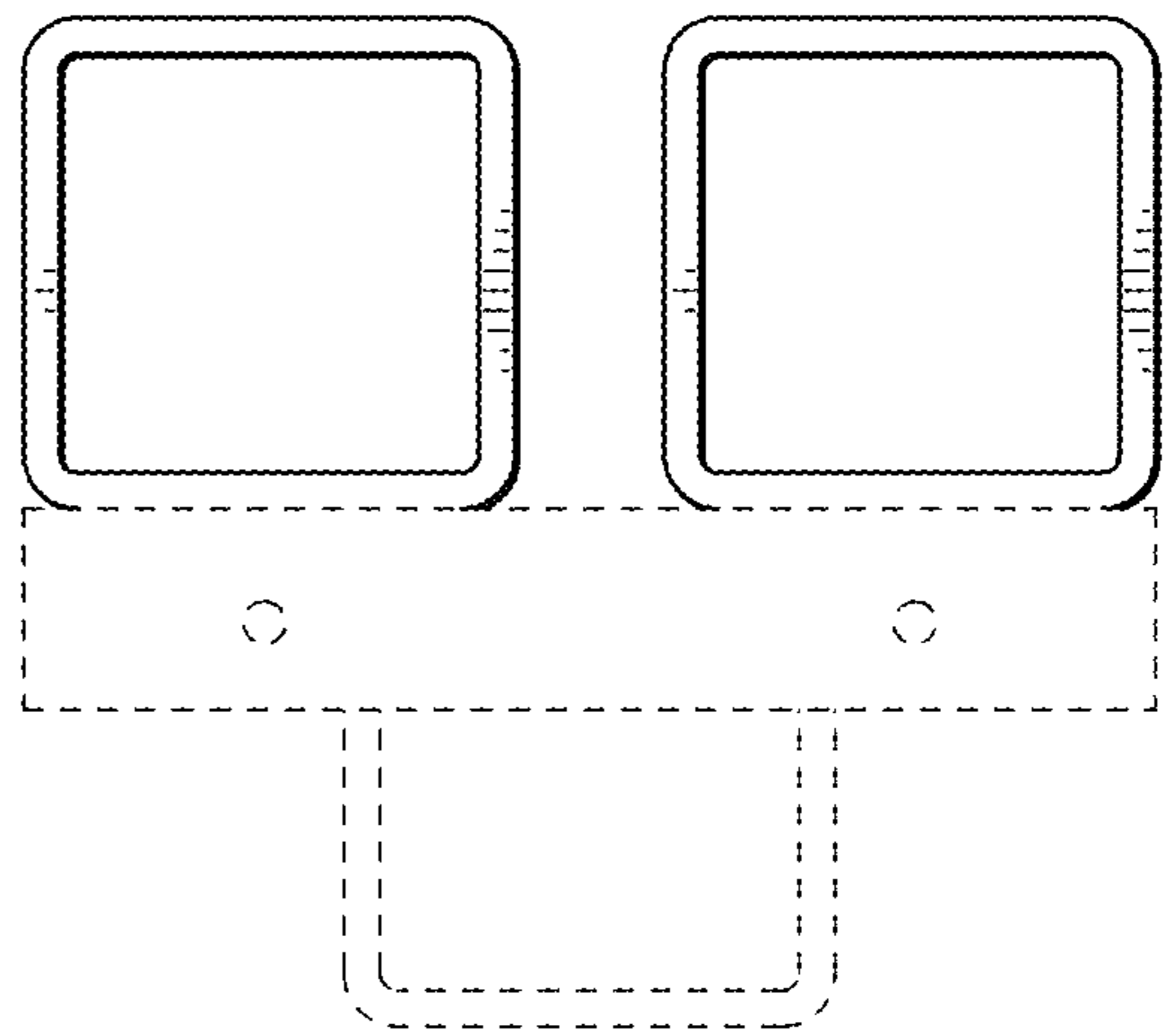


FIG. 6

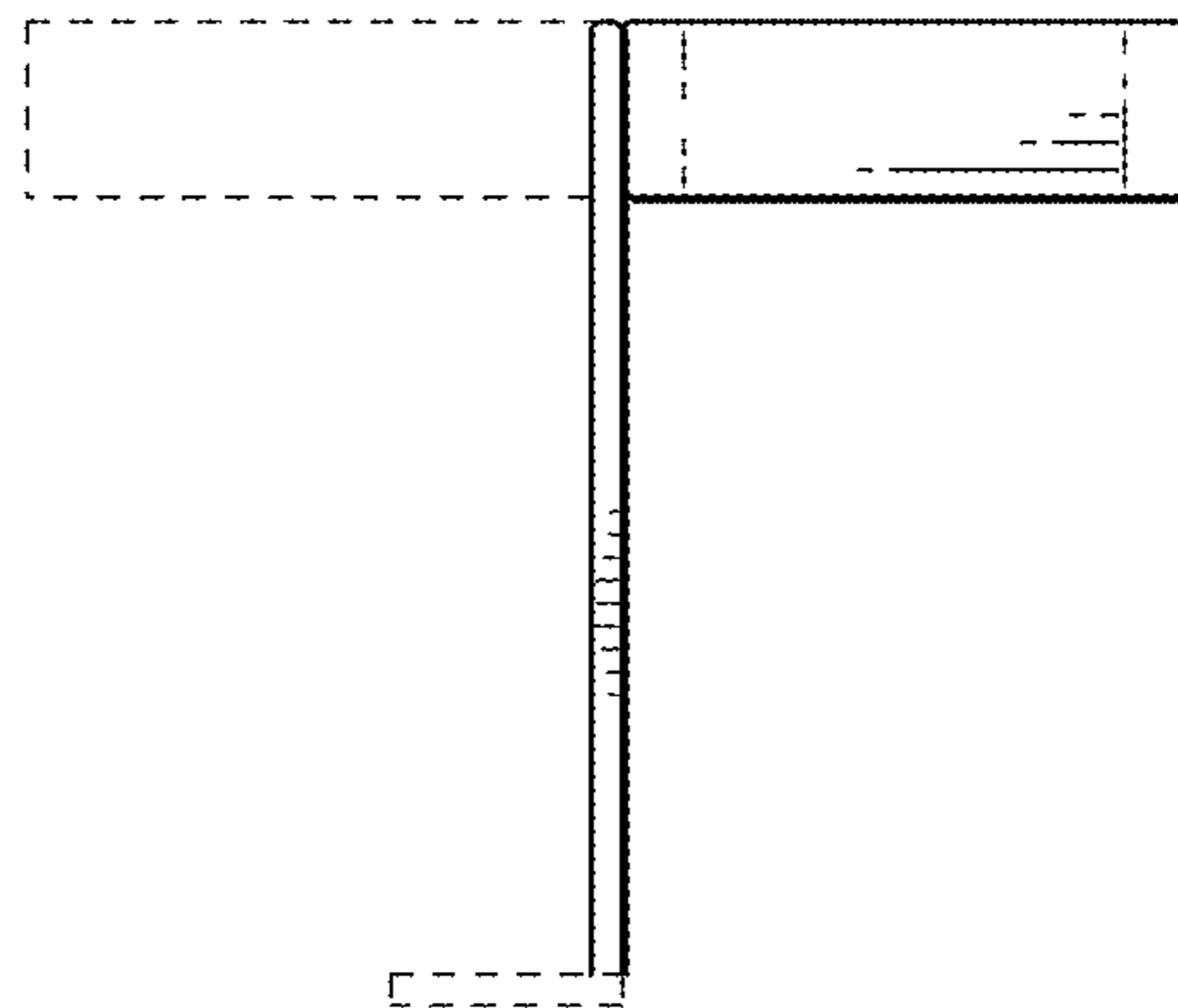


FIG. 7