



US00D896134S

(12) **United States Design Patent**
Bourke

(10) **Patent No.:** **US D896,134 S**

(45) **Date of Patent:** **** Sep. 15, 2020**

(54) **CHAIR**

(71) Applicant: **Better Living Care Pty Ltd**, New South Wales (AU)

(72) Inventor: **Nathan John Bourke**, New South Wales (AU)

(73) Assignee: **Better Living Care Pty Ltd**, Castle Hill, NSW (AU)

(**) Term: **15 Years**

(21) Appl. No.: **29/670,088**

(22) Filed: **Nov. 13, 2018**

(30) **Foreign Application Priority Data**

May 14, 2018 (AU) 201812824

(51) **LOC (12) Cl.** **12-12**

(52) **U.S. Cl.**
USPC **D12/131**

(58) **Field of Classification Search**
USPC D12/128-133
CPC A47C 1/0352; A47C 1/0355; A47C 7/50;
A47C 7/506; A61G 5/12; A61G 2005/128
See application file for complete search history.

(56) **References Cited**

U.S. PATENT DOCUMENTS

D305,318 S * 1/1990 Danecker D12/131
7,156,208 B2 * 1/2007 Rickaby B66B 9/0838
104/288

7,182,356 B1 * 2/2007 Haase A61G 5/00
280/250.1
D565,474 S * 4/2008 Webster D12/128
D565,475 S * 4/2008 Webster D12/128
D642,962 S * 8/2011 Morris D12/128
D648,093 S * 11/2011 Woodhams D34/35
D730,250 S * 5/2015 Lodato D12/128

* cited by examiner

Primary Examiner — Charles D Hanson

(74) *Attorney, Agent, or Firm* — Quarles & Brady LLP

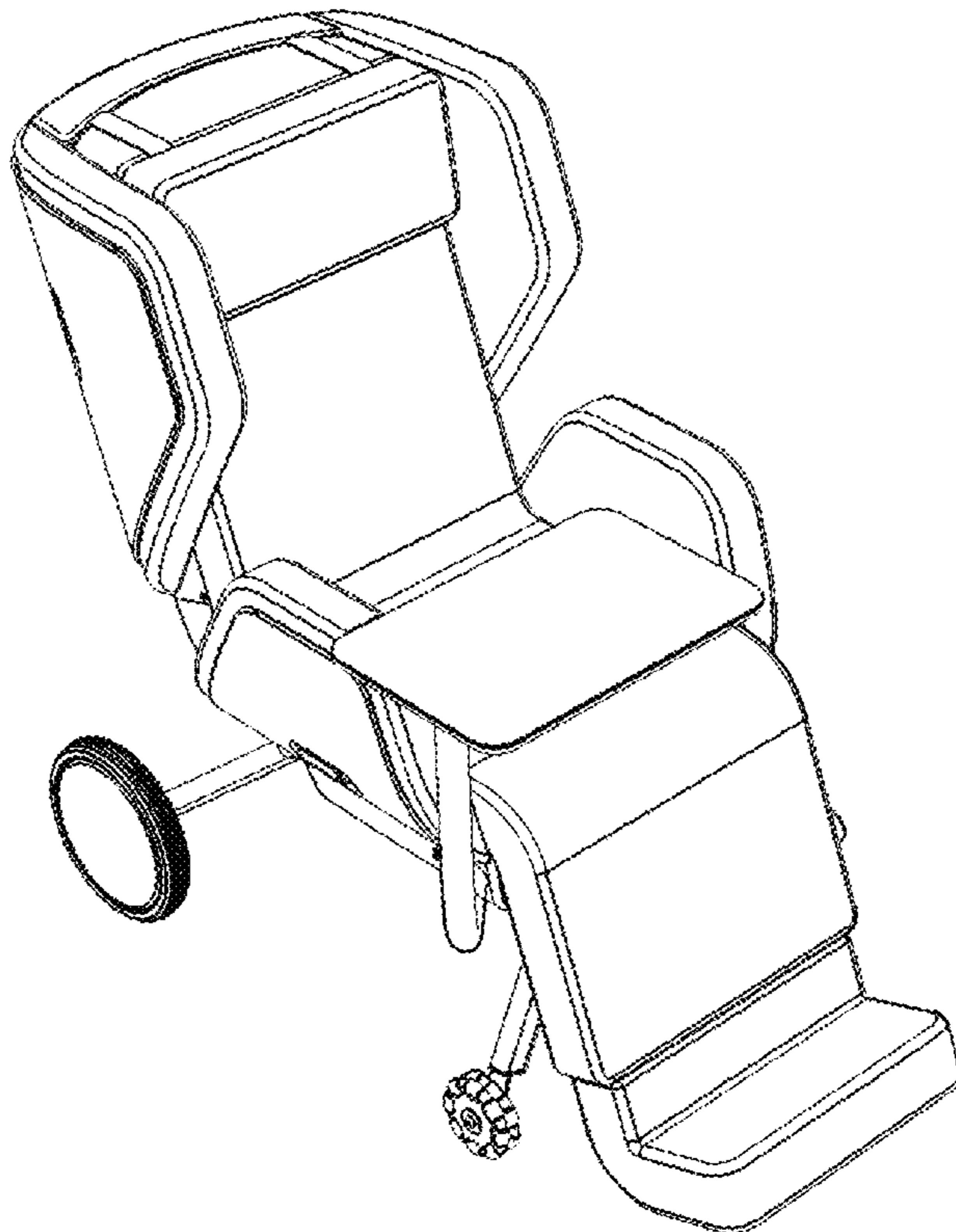
(57) **CLAIM**

The ornamental design for a chair, as shown and described.

DESCRIPTION

FIG. 1 is a front isometric view of a top and left side of an ornamental design for a chair;
FIG. 2 is a front isometric view of a top and right side of the chair of FIG. 1;
FIG. 3 is a rear isometric view of a top and left side of the chair of FIG. 1;
FIG. 4 is a rear isometric view of a top and right side of the chair of FIG. 1;
FIG. 5 is a front elevation view of the chair of FIG. 1;
FIG. 6 is a rear elevation view of the chair of FIG. 1;
FIG. 7 is a left side elevation view of the chair of FIG. 1;
FIG. 8 is a right side elevation view of the chair of FIG. 1;
and,
FIG. 9 is a top plan view of the chair of FIG. 1.

1 Claim, 9 Drawing Sheets



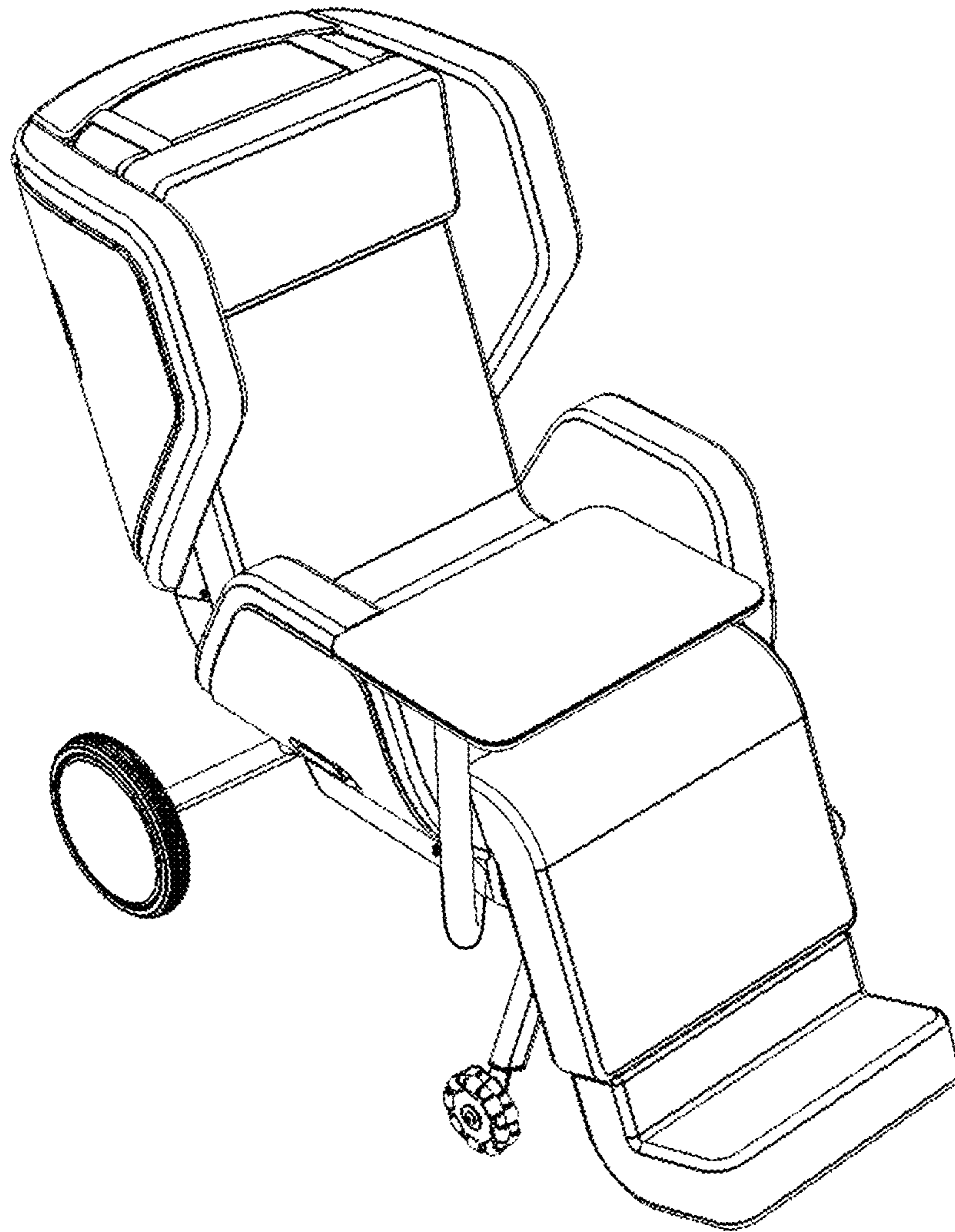


FIG. 1

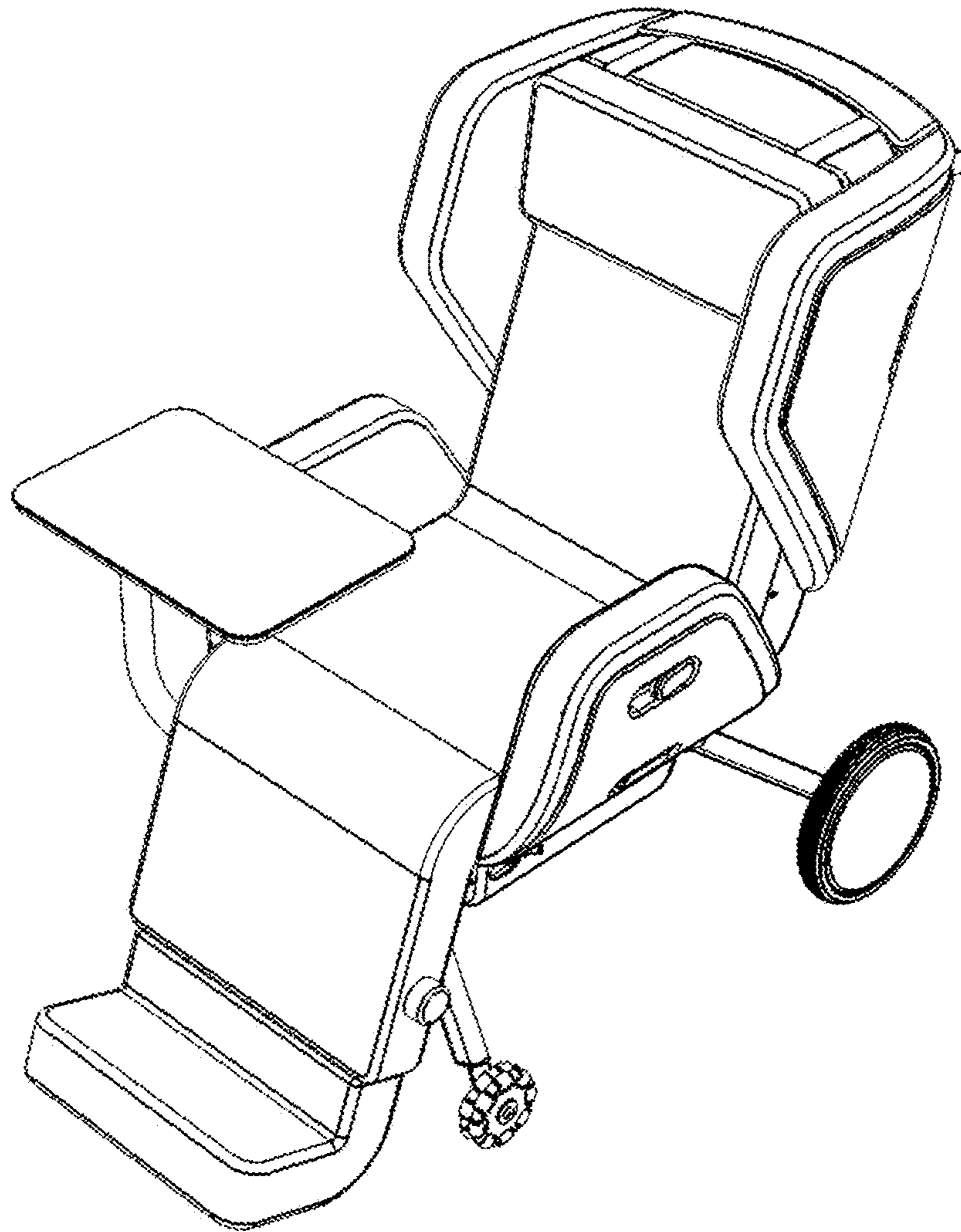


FIG. 2

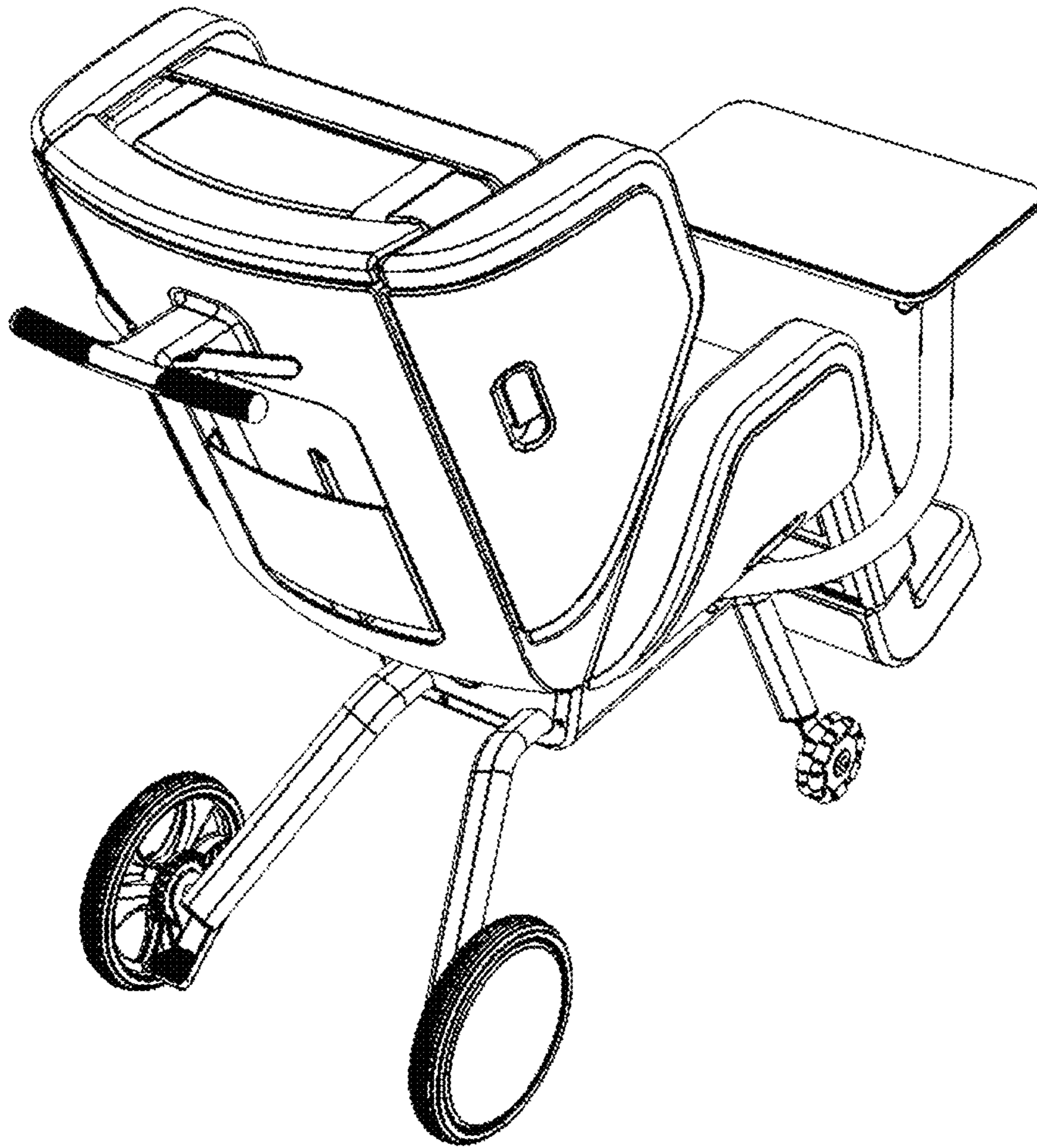


FIG. 3

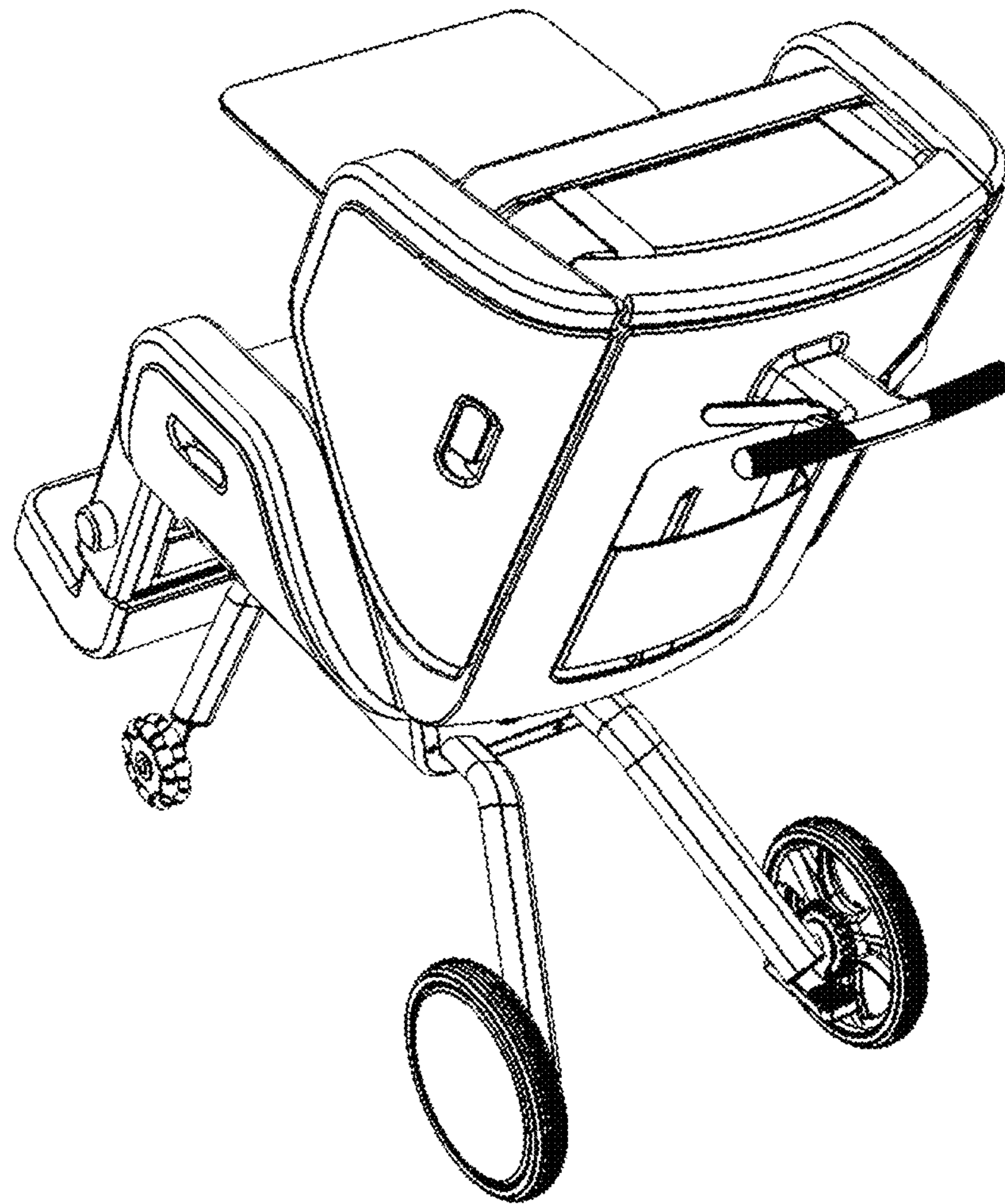


FIG. 4

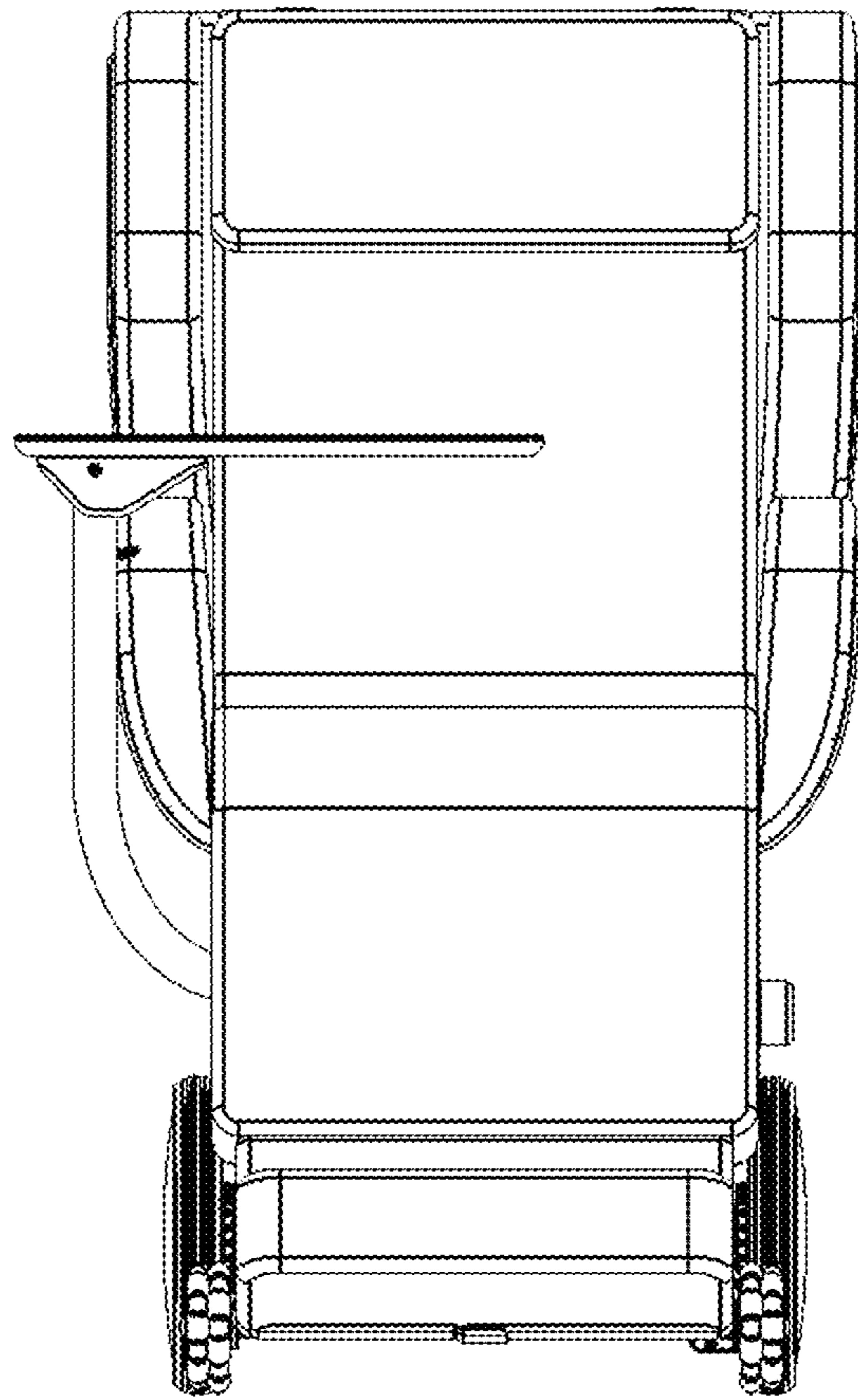


FIG. 5

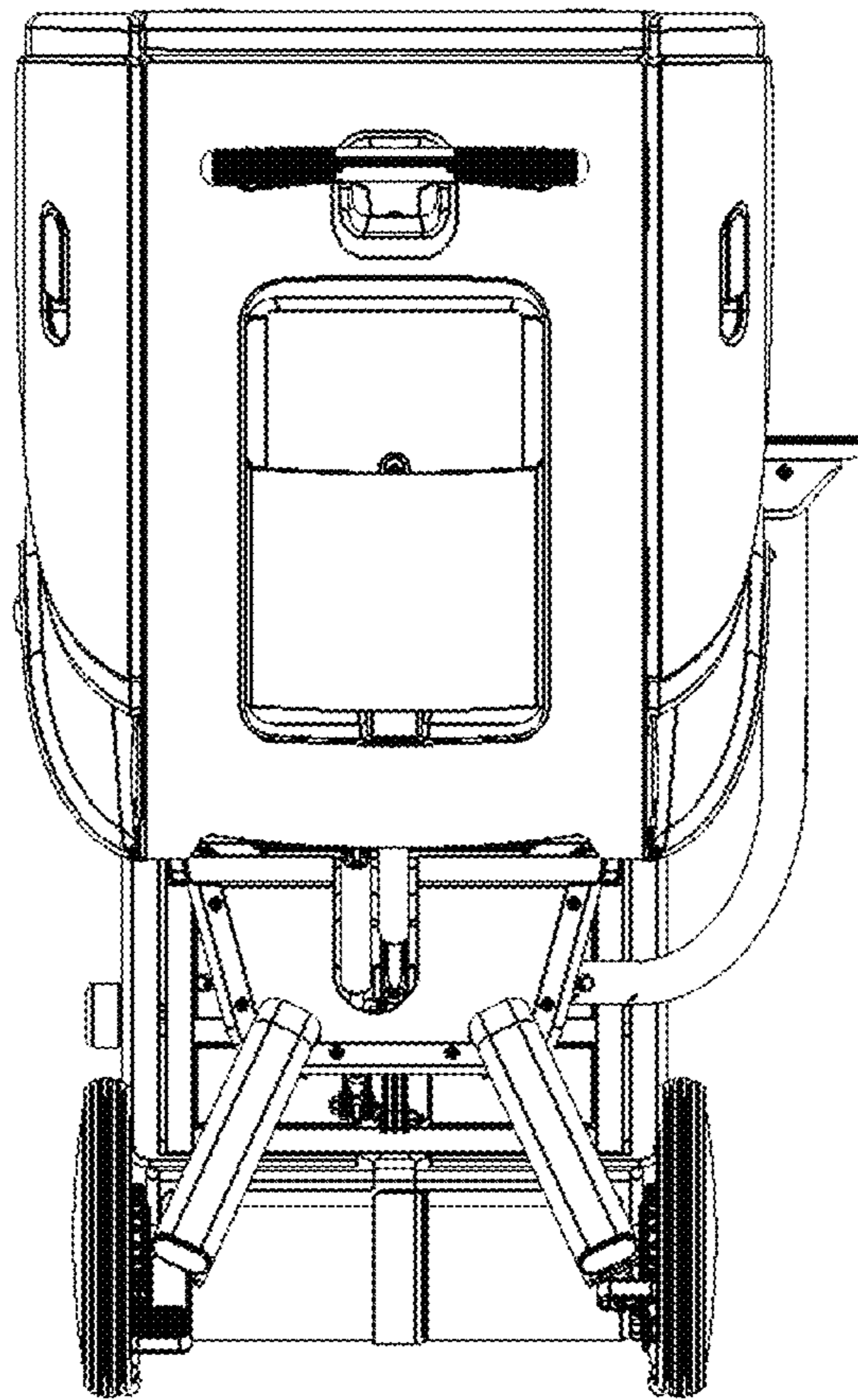


FIG. 6

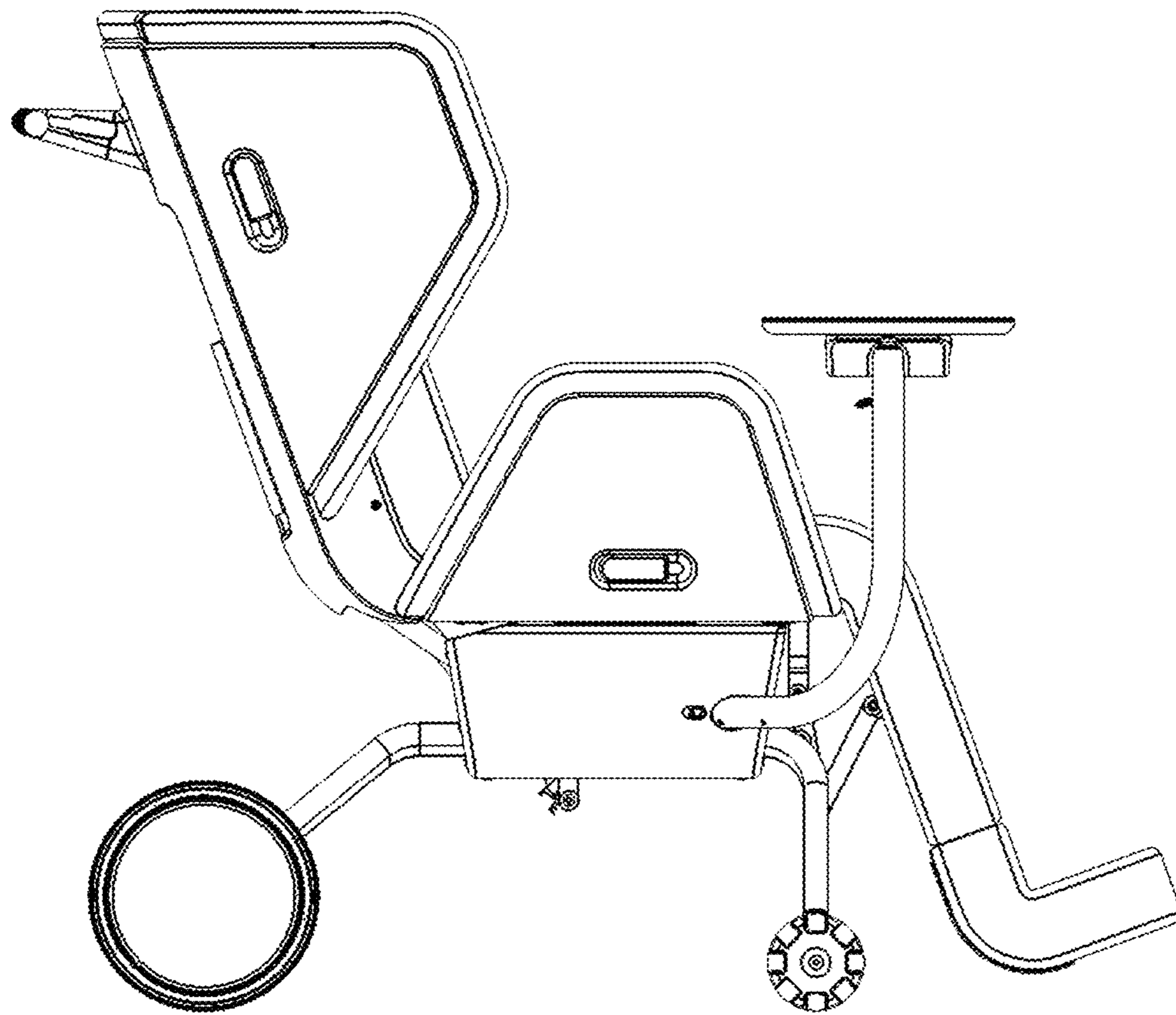


FIG. 7

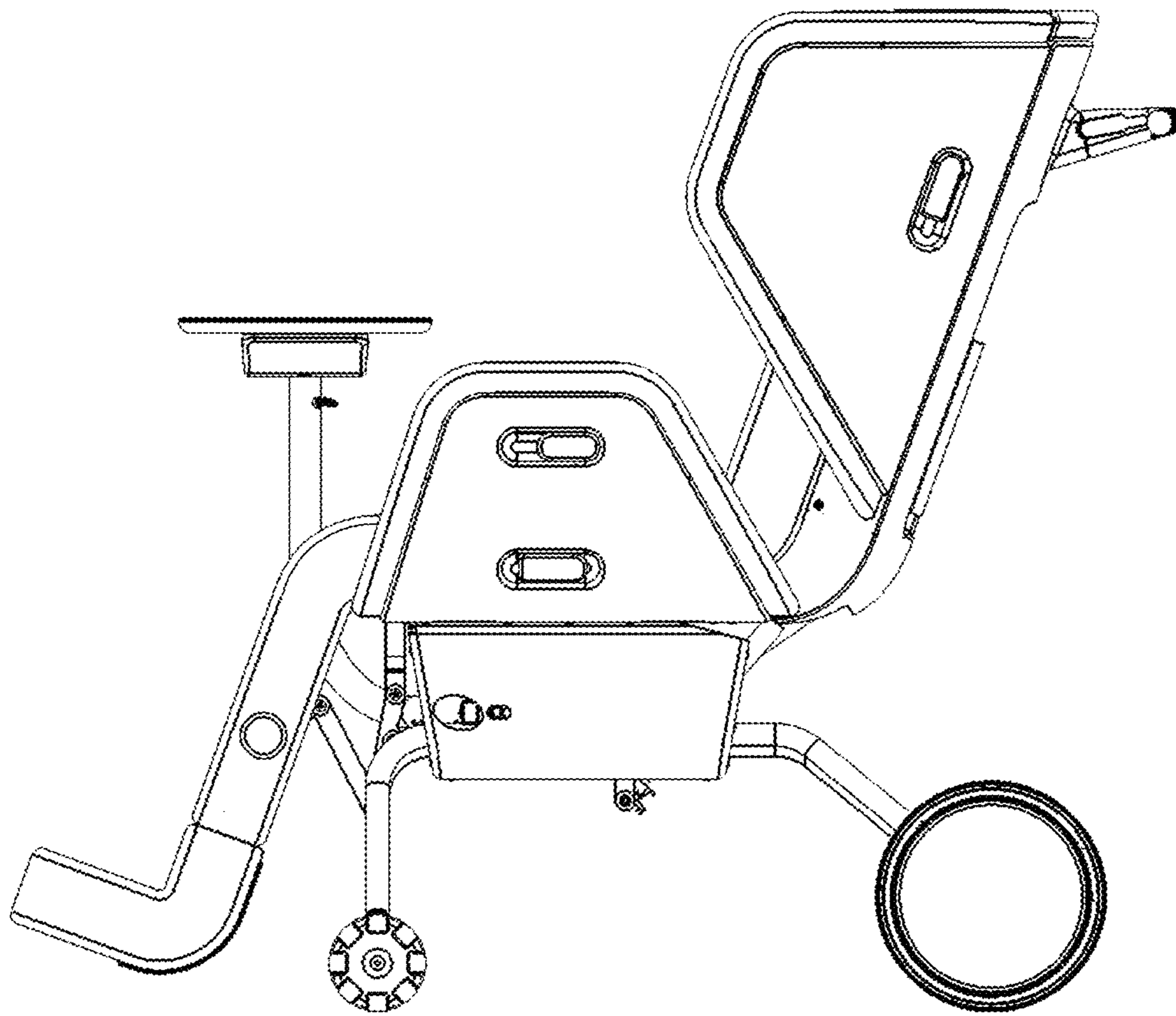


FIG. 8

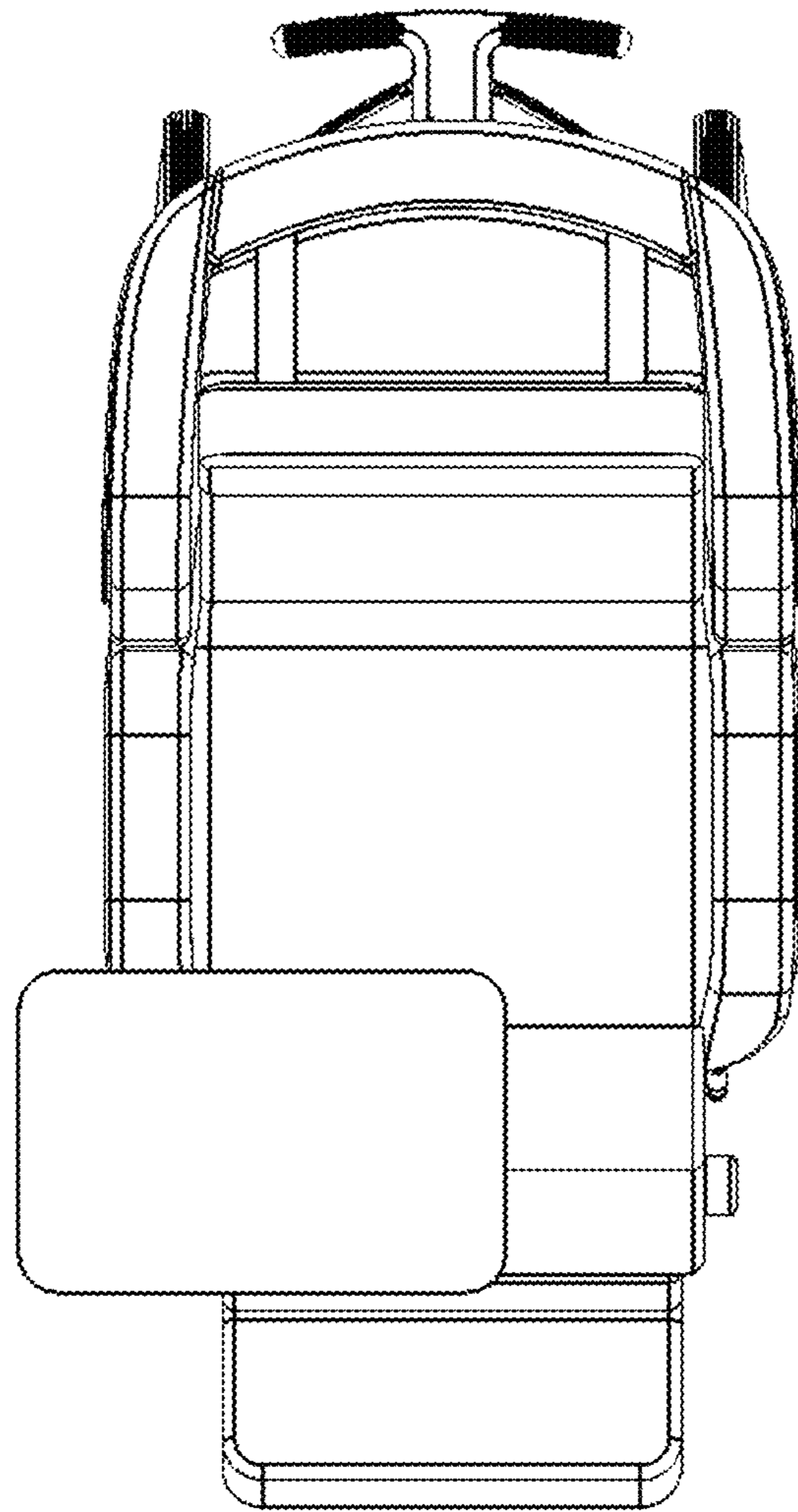


FIG. 9