



US00D896133S

(12) **United States Design Patent**
Zhou

(10) **Patent No.:** **US D896,133 S**
(45) **Date of Patent:** **** Sep. 15, 2020**

- (54) **STROLLER CHASSIS**
- (71) Applicant: **CHANGDE YIXIANG INDUSTRIAL CO., LTD.**, Hu Nan Province (CN)
- (72) Inventor: **Jin-Song Zhou**, Hu Nan Province (CN)
- (73) Assignee: **Changde Yixiang Industrial Co., Ltd.**, Hu Nan Province (CN)

D801,592 S *	10/2017	Jakubowski	D30/109
D827,939 S *	9/2018	Jakubowski	D30/109
D882,184 S *	4/2020	Jakubowski	D30/109
2014/0230747 A1 *	8/2014	Jakubowski	B62B 9/26 119/496
2018/0022371 A1 *	1/2018	Jakubowski	B62B 5/0013 280/641
2018/0132446 A1 *	5/2018	Jakubowski	B62B 7/105
2019/0002007 A1 *	1/2019	Xiang	B62B 9/12
2019/0313597 A1 *	10/2019	Chen	A01K 1/0254

(**) Term: **15 Years**

(21) Appl. No.: **29/691,257**

(22) Filed: **May 15, 2019**

(51) **LOC (12) Cl.** **12-12**

(52) **U.S. Cl.**
USPC **D12/129**

(58) **Field of Classification Search**
USPC D12/128-133
CPC B62B 7/00-04; B62B 9/00-28
See application file for complete search history.

(56) **References Cited**

U.S. PATENT DOCUMENTS

D723,746 S *	3/2015	Jakubowski	D30/109
D757,370 S *	5/2016	Jakubowski	D30/109

* cited by examiner

Primary Examiner — Charles D Hanson

(74) *Attorney, Agent, or Firm* — Rosenberg, Klein & Lee

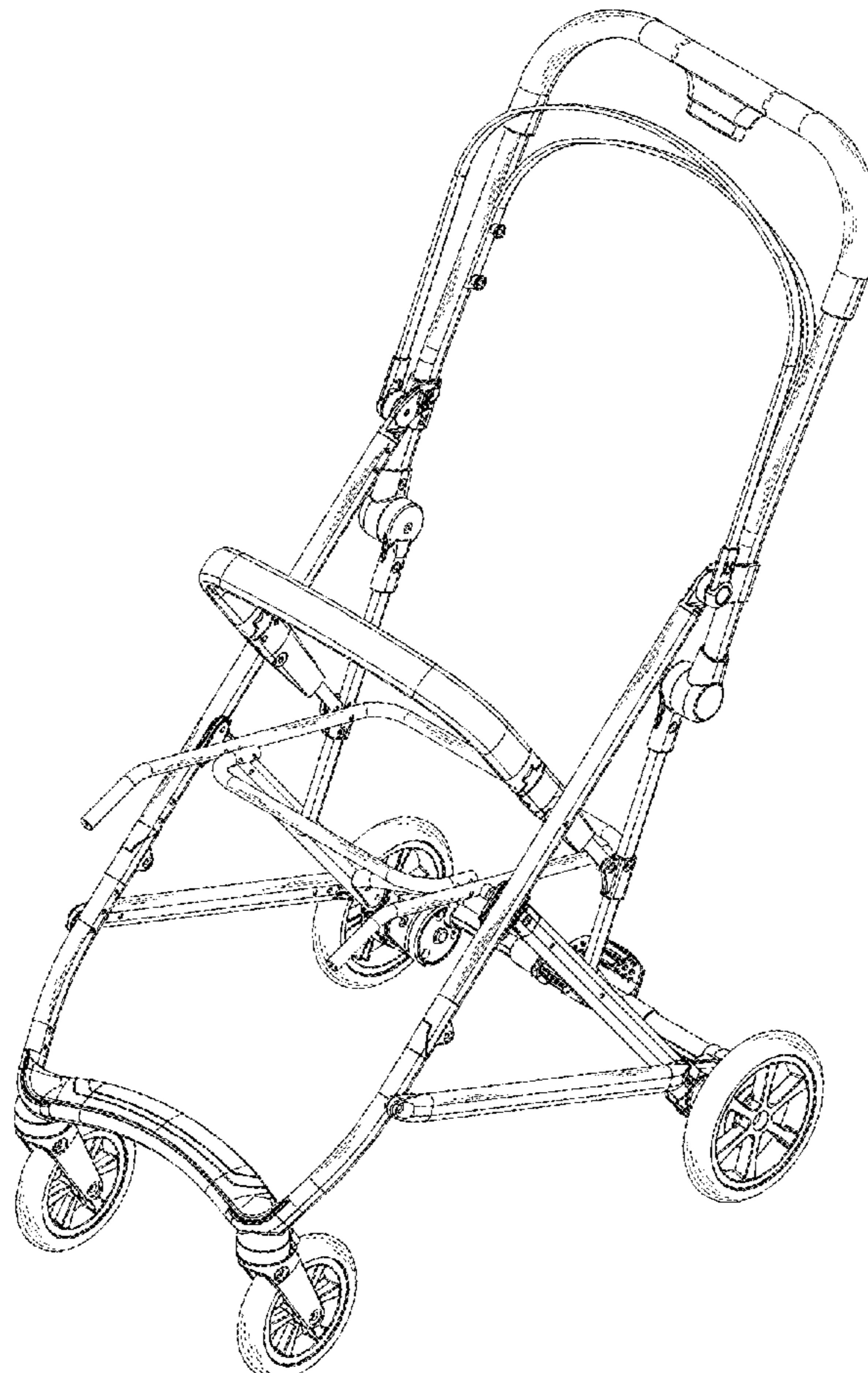
(57) **CLAIM**

The ornamental design for a stroller chassis, as shown and described.

DESCRIPTION

FIG. 1 is a perspective view of a stroller showing my new design;
FIG. 2 is a front elevational view thereof;
FIG. 3 is a rear elevational view thereof;
FIG. 4 is a right side view thereof;
FIG. 5 is a left side view thereof;
FIG. 6 is a top plan view thereof; and,
FIG. 7 is a bottom plan view thereof.

1 Claim, 7 Drawing Sheets



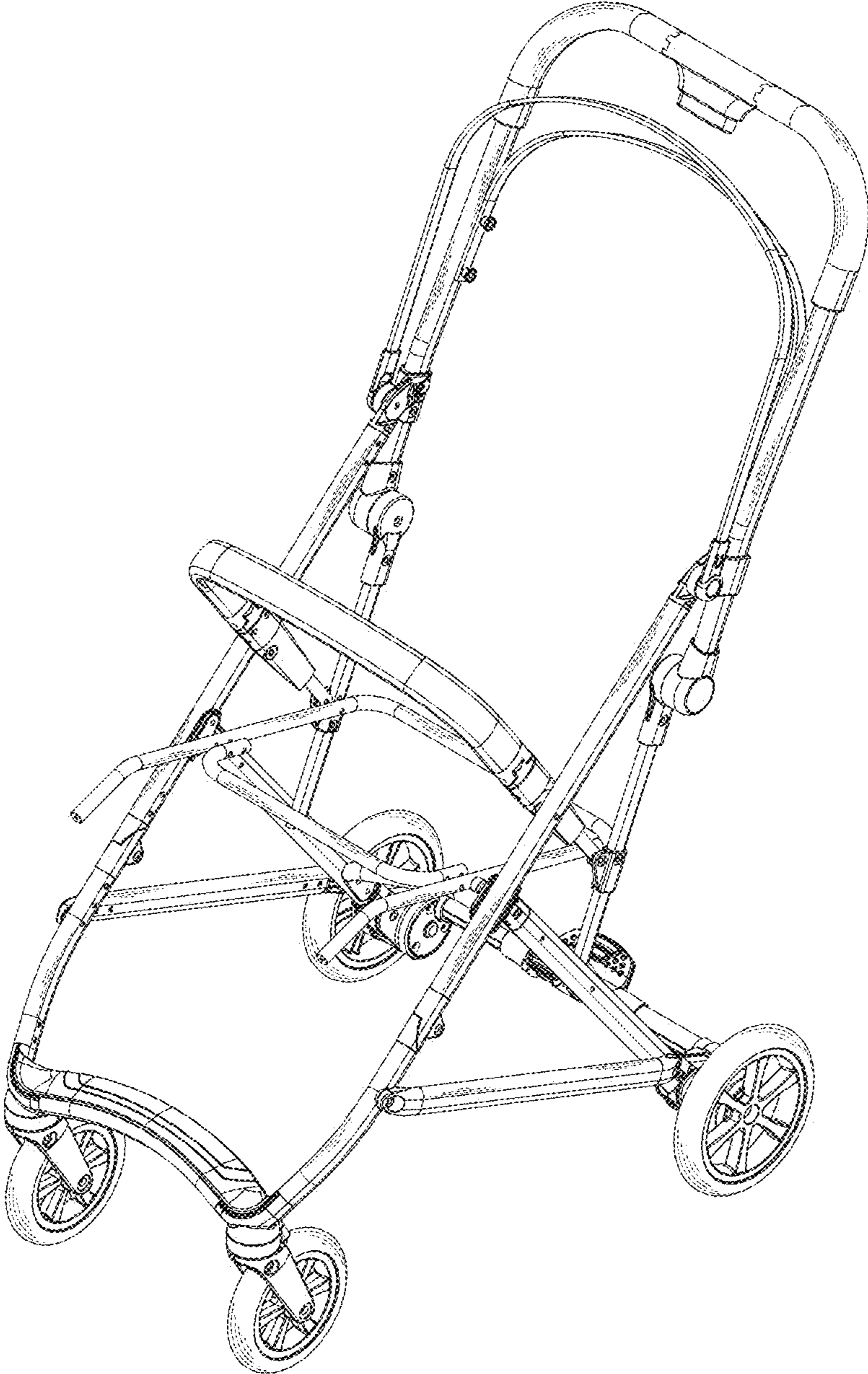


FIG. 1

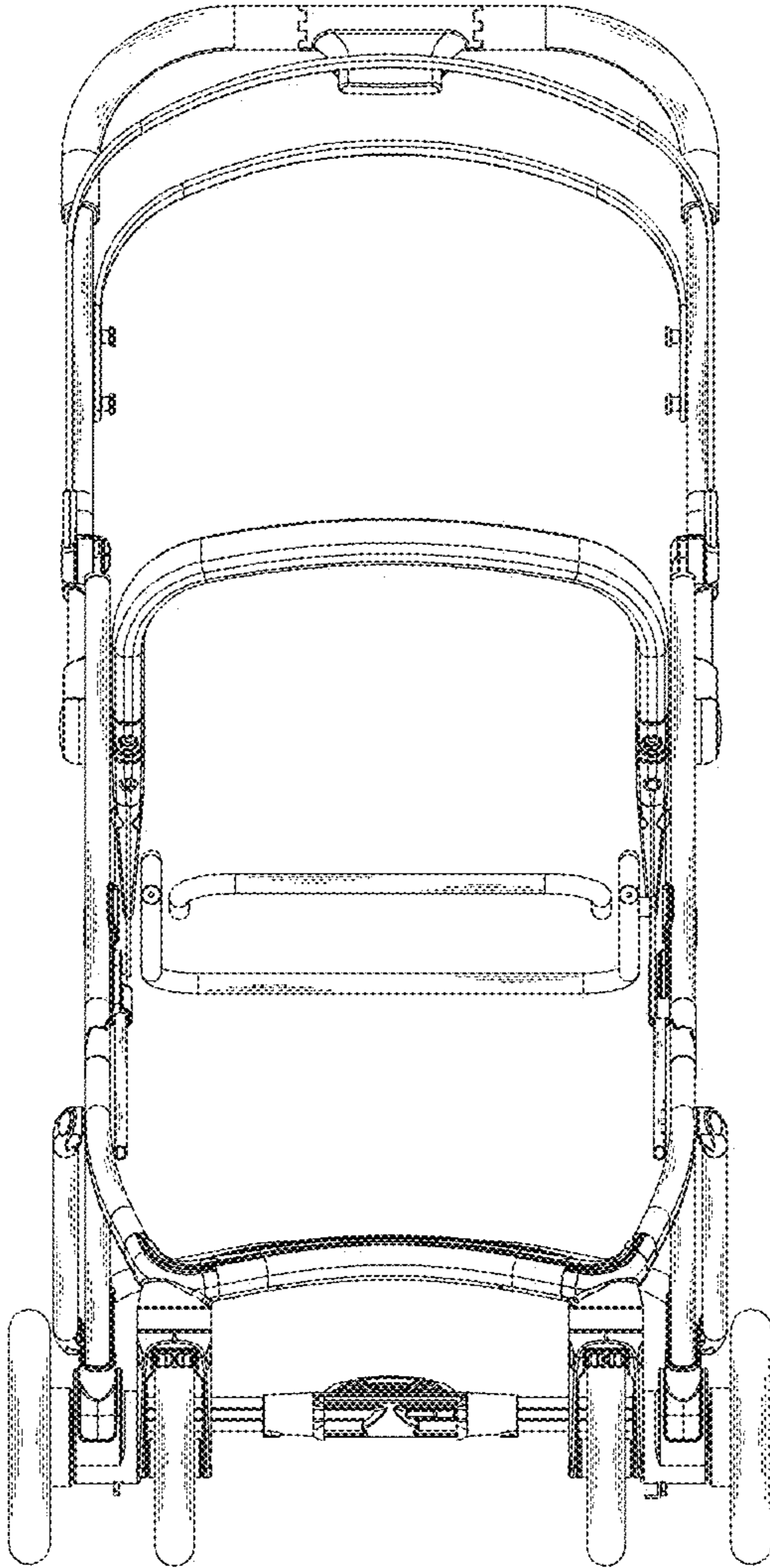


FIG. 2

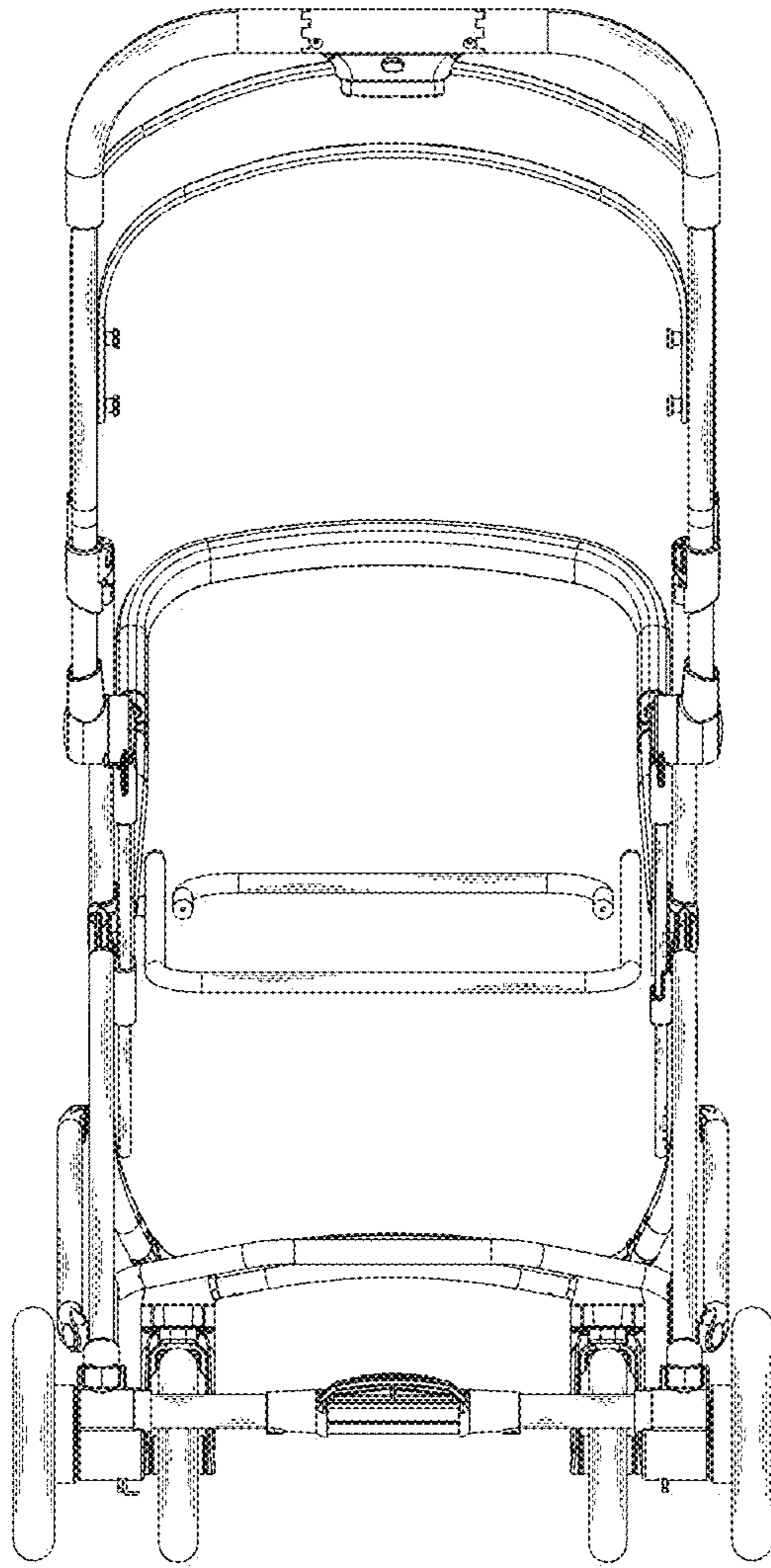


FIG. 3

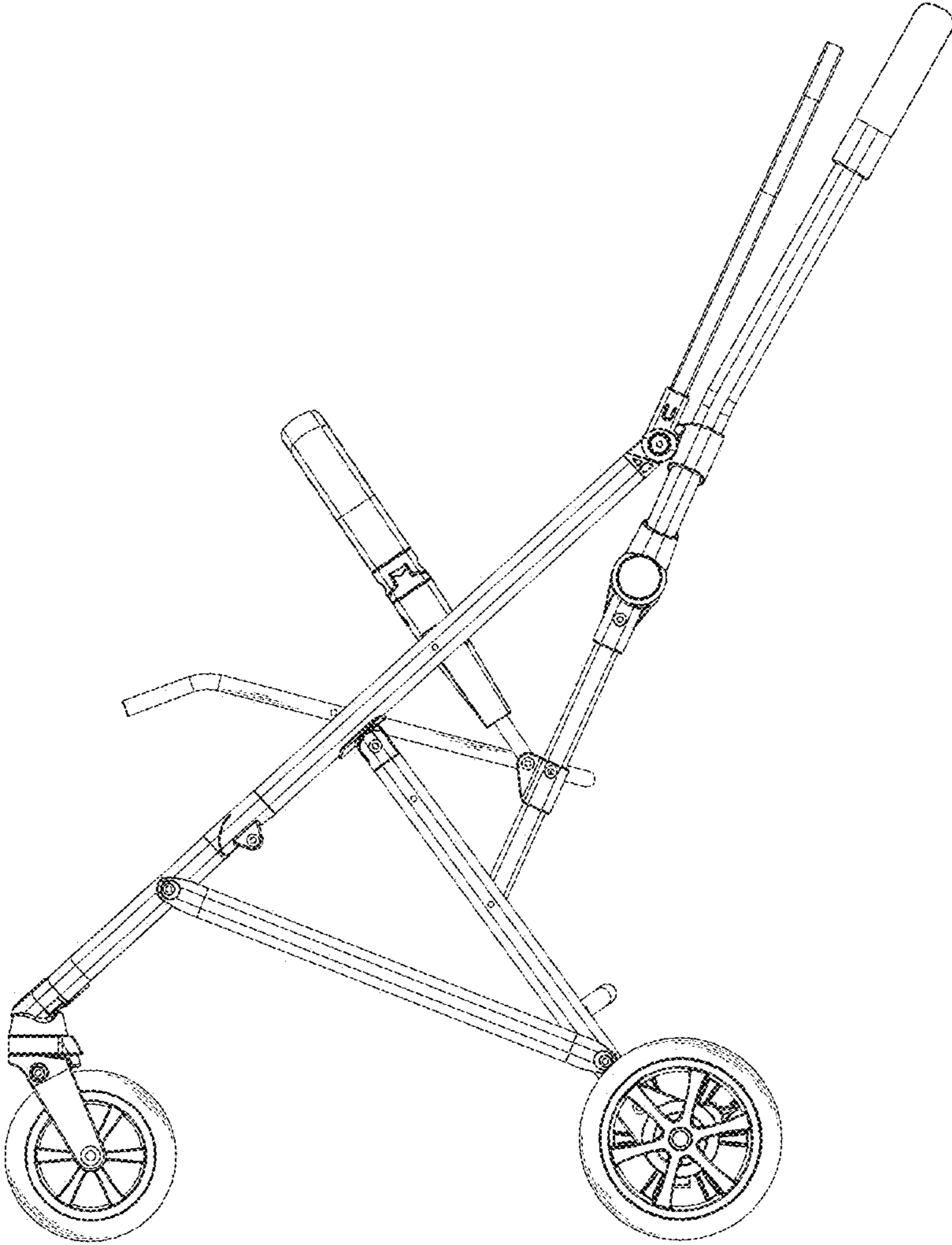


FIG. 4

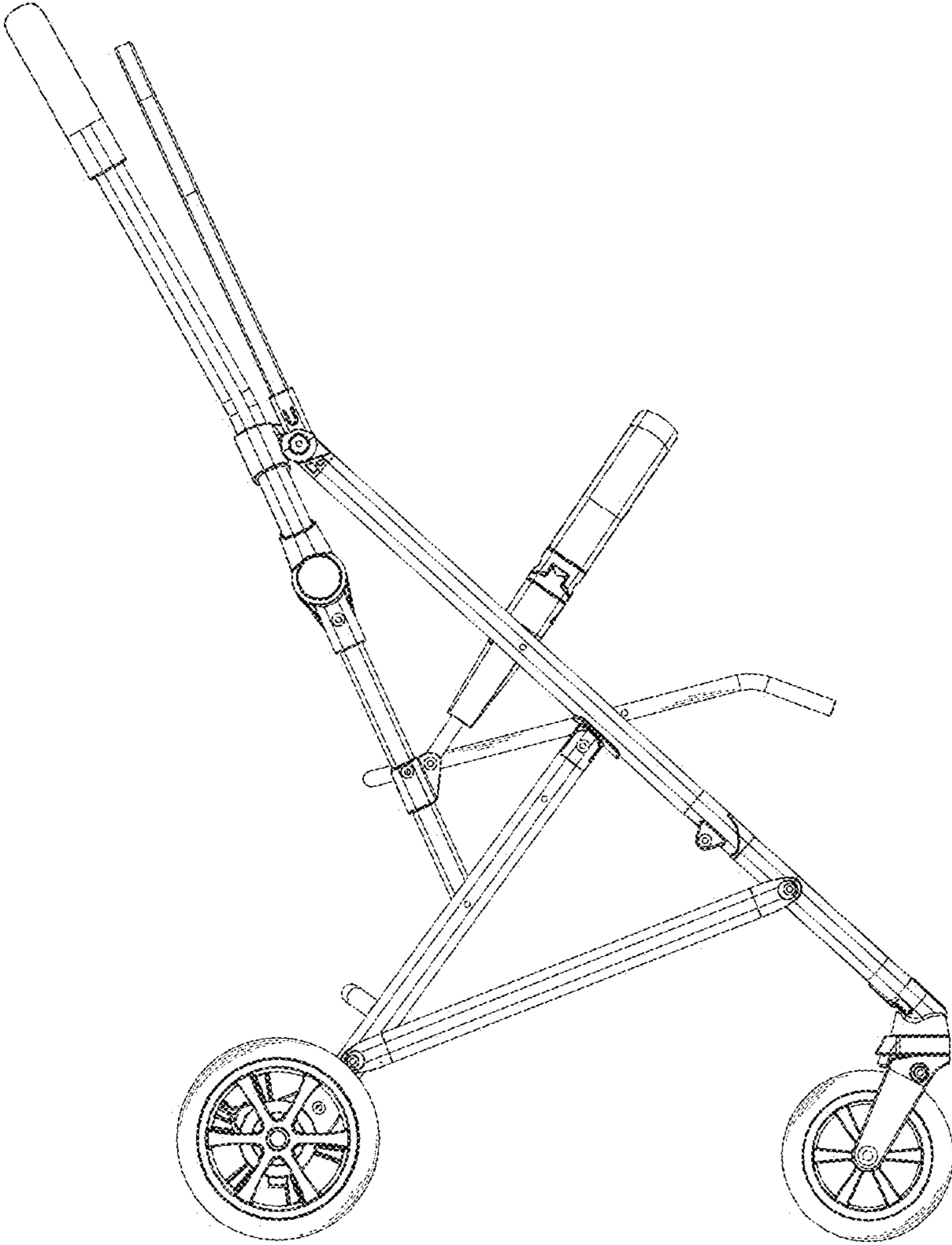


FIG. 5

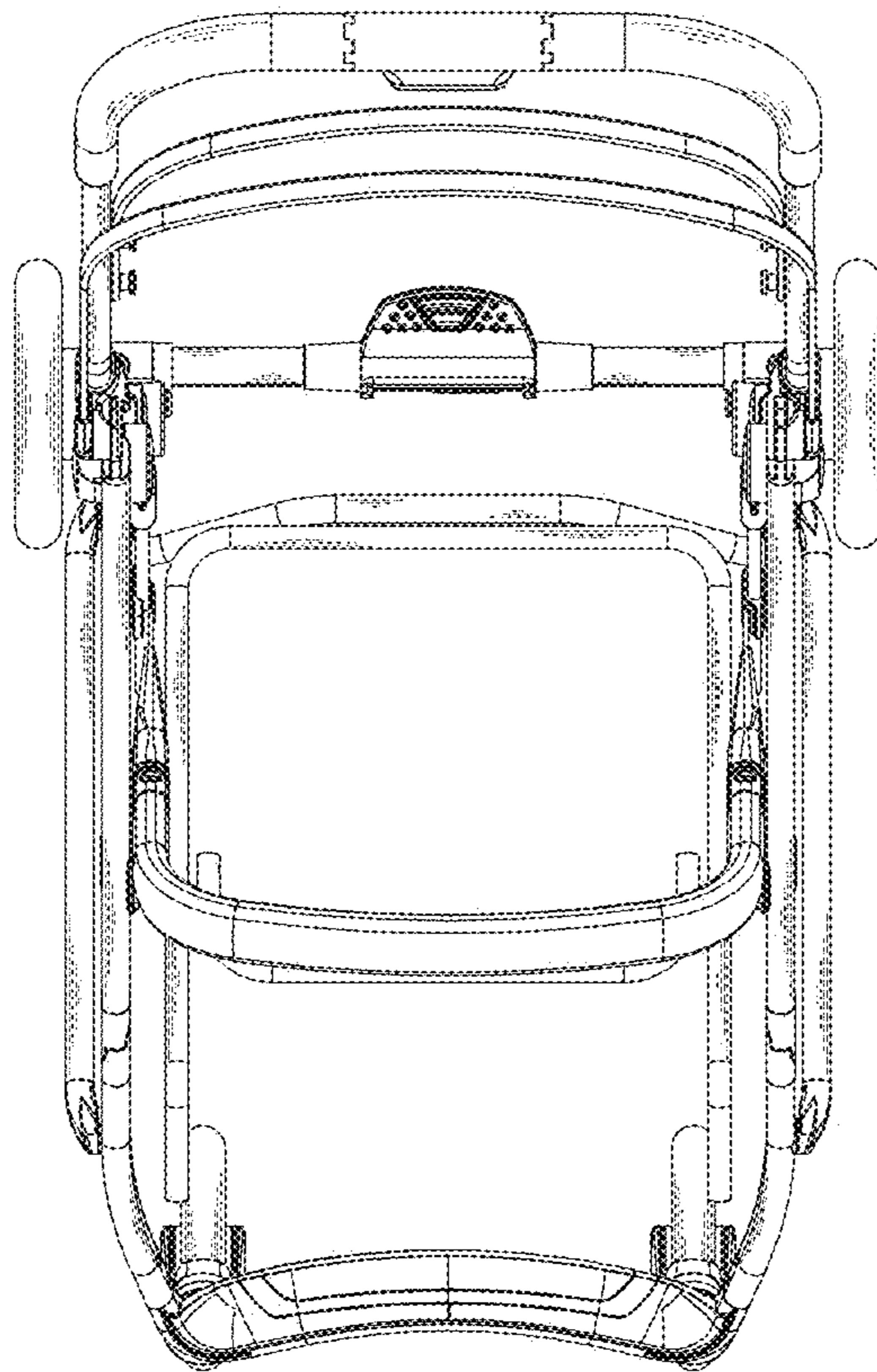


FIG. 6

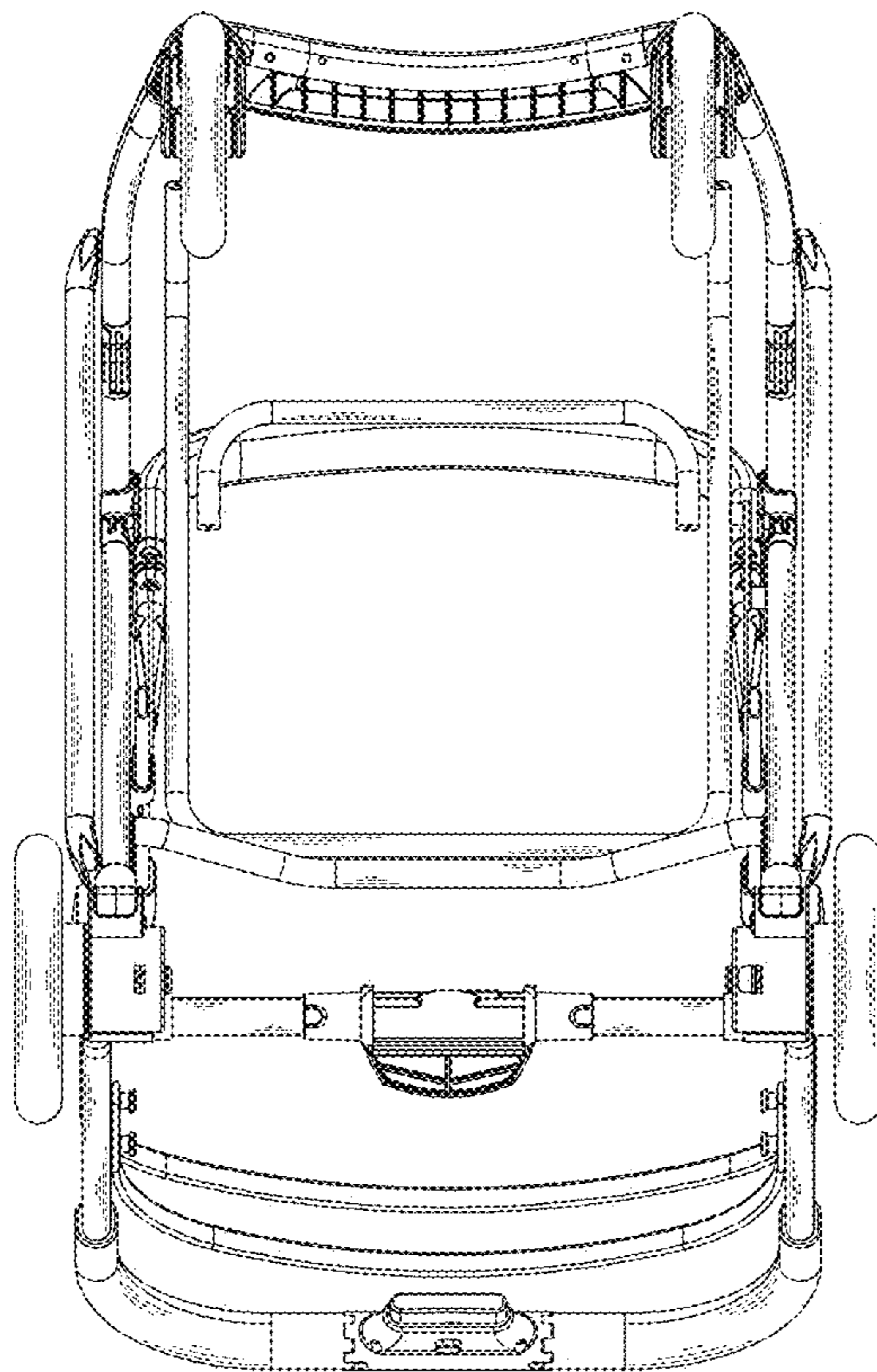


FIG. 7