



US00D896131S

(12) **United States Design Patent** (10) **Patent No.:** **US D896,131 S**  
**DeBry et al.** (45) **Date of Patent:** **\*\* Sep. 15, 2020**

- (54) **FOLDING TRICYCLE**
- (71) Applicant: **RADIO FLYER INC.**, Chicago, IL (US)
- (72) Inventors: **Garrett DeBry**, Chicago, IL (US);  
**Collin Ostergaard**, Chicago, IL (US);  
**Anne Goodman**, Chicago, IL (US);  
**Igor Zemskov**, Chicago, IL (US)
- (73) Assignee: **Radio Flyer Inc.**, Chicago, IL (US)
- (\*\*) Term: **15 Years**
- (21) Appl. No.: **29/664,654**
- (22) Filed: **Sep. 27, 2018**
- (51) **LOC (12) Cl.** ..... **12-11**
- (52) **U.S. Cl.**  
USPC ..... **D12/112; D12/113**
- (58) **Field of Classification Search**  
USPC ..... D12/1, 107, 110-114, 129, 130, 133;  
D21/412, 414, 419, 423-428, 431-435,  
D21/662  
CPC . B62K 3/005; B62K 5/06; B62K 9/02; B62K  
15/006; B62K 15/008; B62K 19/02;  
B62M 1/32; B62M 1/38  
See application file for complete search history.

- (56) **References Cited**  
U.S. PATENT DOCUMENTS  
D338,433 S \* 8/1993 Crooks, Sr. .... D12/112  
D466,839 S \* 12/2002 Ou ..... D12/110  
6,588,787 B2 \* 7/2003 Ou ..... B62K 11/10  
180/220  
D483,821 S \* 12/2003 Yang ..... D12/112  
D503,362 S \* 3/2005 Zhu ..... D12/111  
6,986,522 B2 \* 1/2006 Sinclair ..... B62K 15/006  
280/278  
D586,265 S \* 2/2009 Lin ..... D12/111  
D650,724 S \* 12/2011 Chiang ..... D12/111

D726,592 S *	4/2015	Zhang	.....	D12/107
D735,812 S *	8/2015	Delgatty	.....	D21/423
D735,813 S *	8/2015	Delgatty	.....	D21/423
D746,924 S *	1/2016	Delgatty	.....	D21/423
D750,711 S *	3/2016	Delgatty	.....	D21/423
D774,969 S *	12/2016	Angelov	.....	D12/111
D774,979 S *	12/2016	Delgatty	.....	D12/111
D777,606 S *	1/2017	Dai	.....	D12/111
D780,637 S *	3/2017	Shao	.....	D12/111
9,694,868 B2 *	7/2017	Delgatty	.....	B62J 1/04
D804,364 S *	12/2017	Xianqiang	.....	D12/111
9,873,476 B2 *	1/2018	Etzelsberger	.....	B62J 1/04
2005/0035570 A1 *	2/2005	Chu	.....	B62K 15/006 280/278

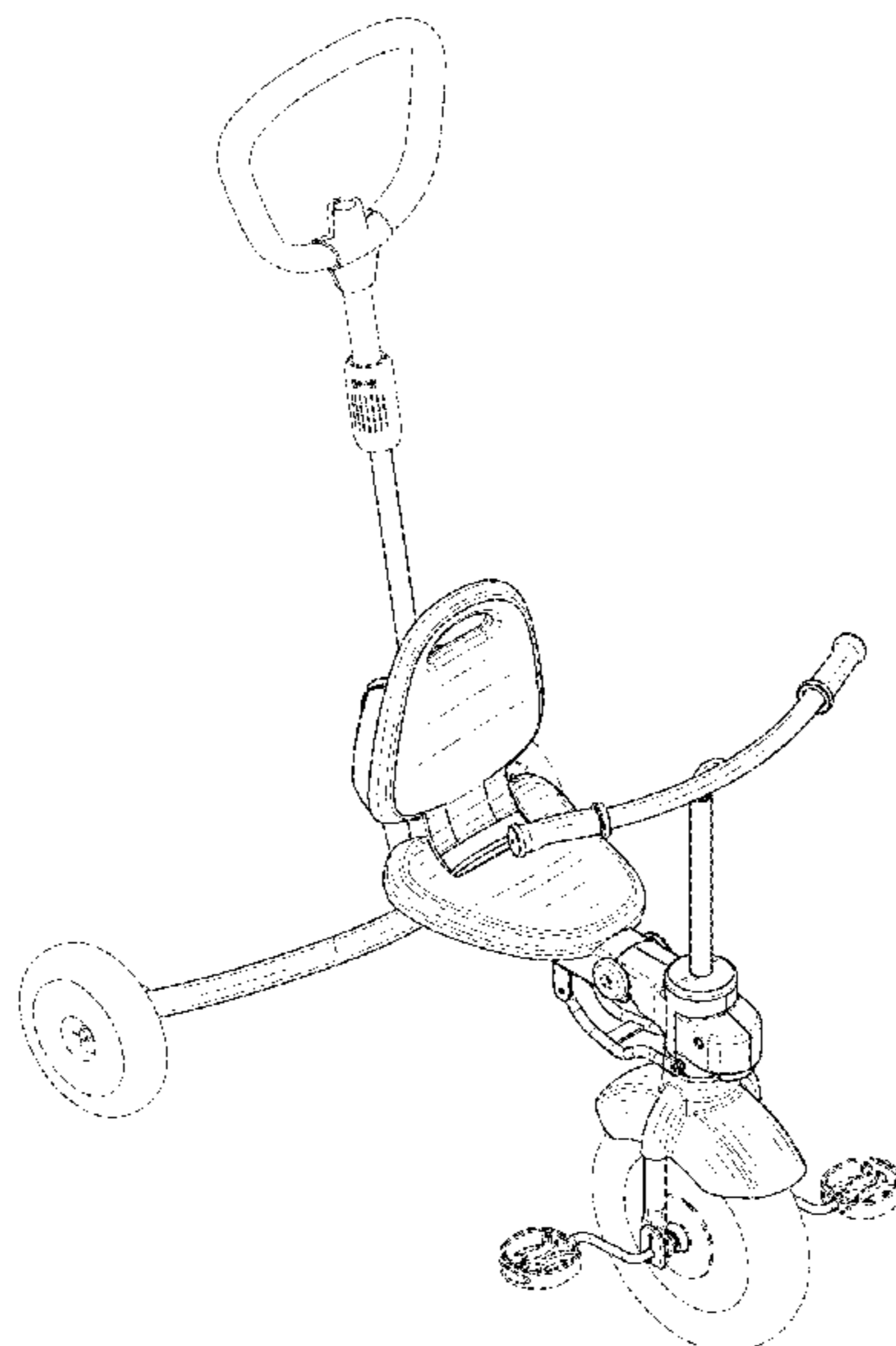
(Continued)

*Primary Examiner* — Darlington Ly  
(74) *Attorney, Agent, or Firm* — Barnes & Thornburg LLP

(57) **CLAIM**  
We claim the ornamental design for a folding tricycle, as shown and described.

**DESCRIPTION**  
FIG. 1 is a front perspective view of the folding stroller tricycle according to the new design.  
FIG. 2 is a front elevation view of the folding tricycle shown in FIG. 1.  
FIG. 3 is a rear elevation view of the folding tricycle shown in FIG. 1.  
FIG. 4 is a right side elevation view of the folding tricycle shown in FIG. 1.  
FIG. 5 is a left side elevation view of the folding tricycle shown in FIG. 1.  
FIG. 6 is a top plan view of the folding tricycle shown in FIG. 1; and,  
FIG. 7 is a bottom plan view of the folding tricycle shown in FIG. 1.  
The broken lines in the drawings illustrate portions of the folding tricycle that form no part of the claimed design.

**1 Claim, 7 Drawing Sheets**



(56)

**References Cited**

U.S. PATENT DOCUMENTS

2012/0043148 A1\* 2/2012 Brady ..... B60L 3/0069  
180/206.5  
2015/0068828 A1\* 3/2015 Delgatty ..... B60K 1/00  
180/210

\* cited by examiner

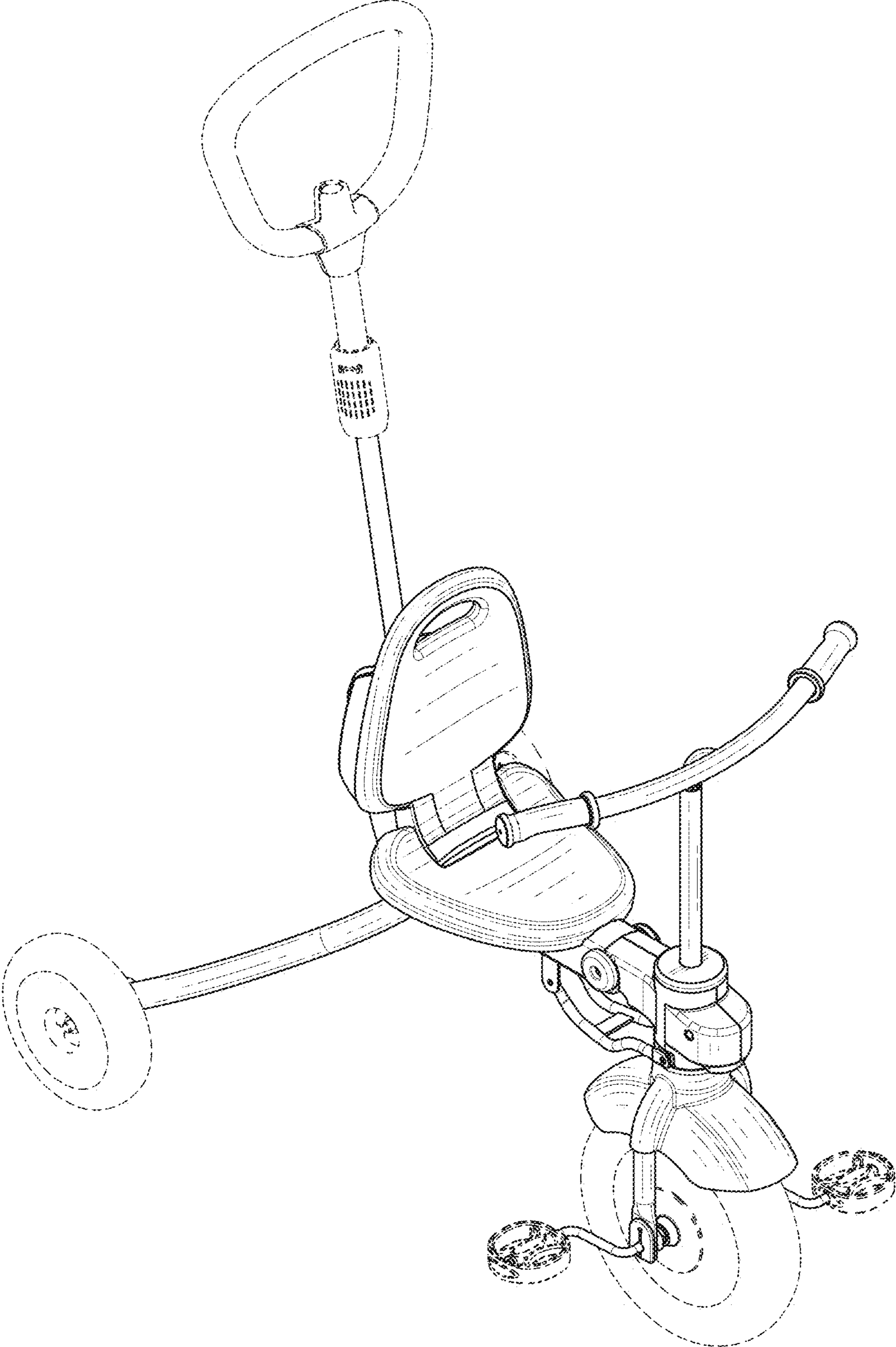


FIG. 1

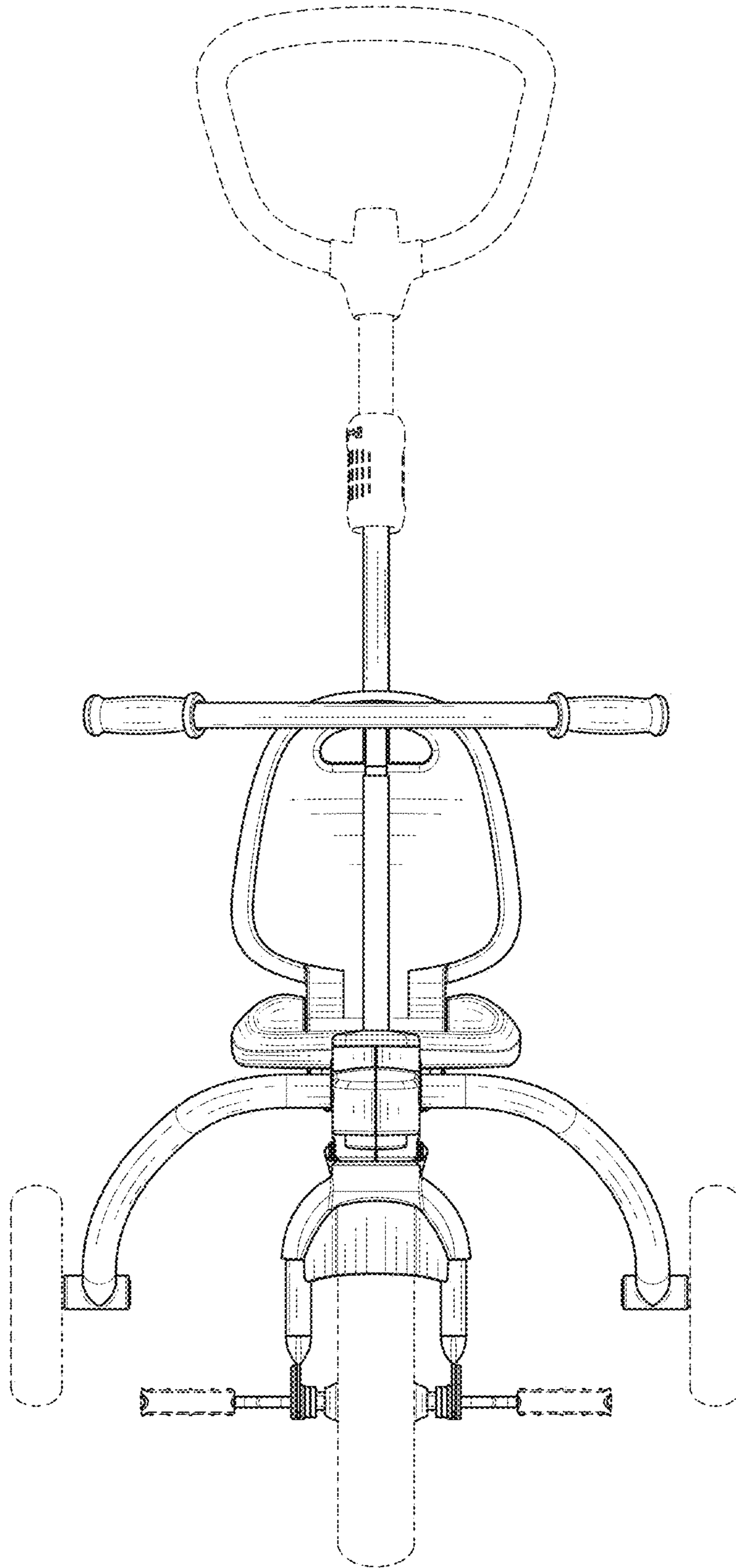


FIG. 2

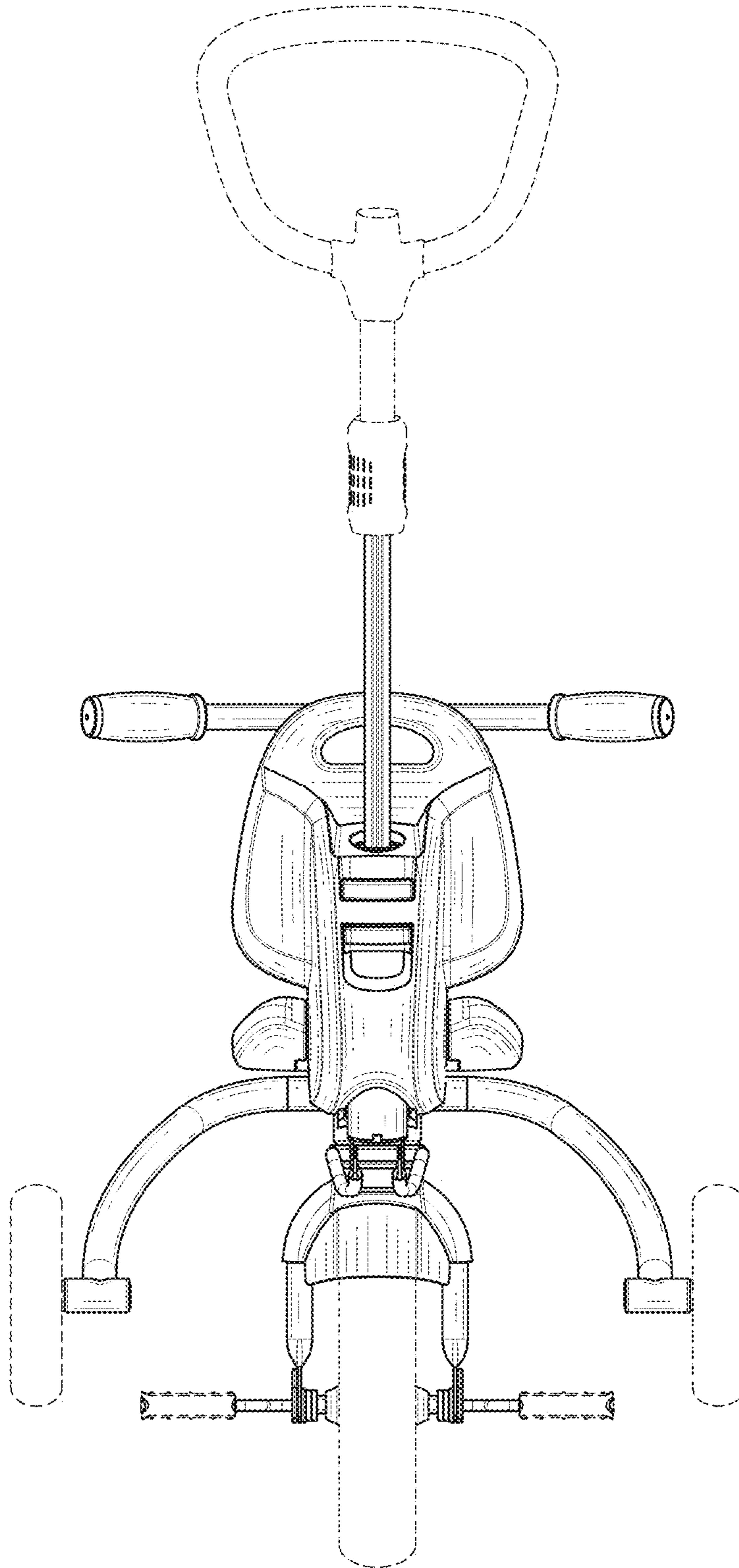


FIG. 3

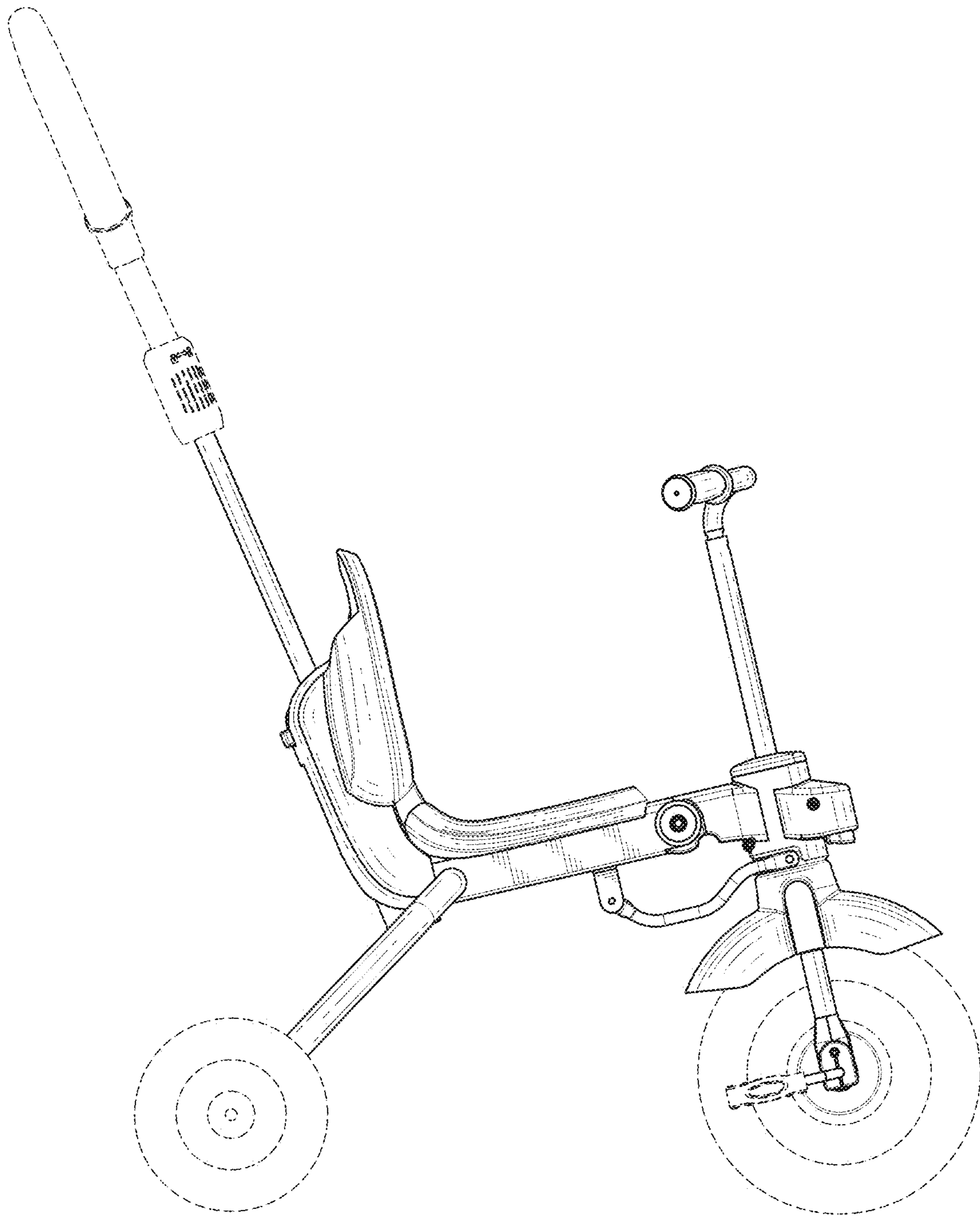


FIG. 4

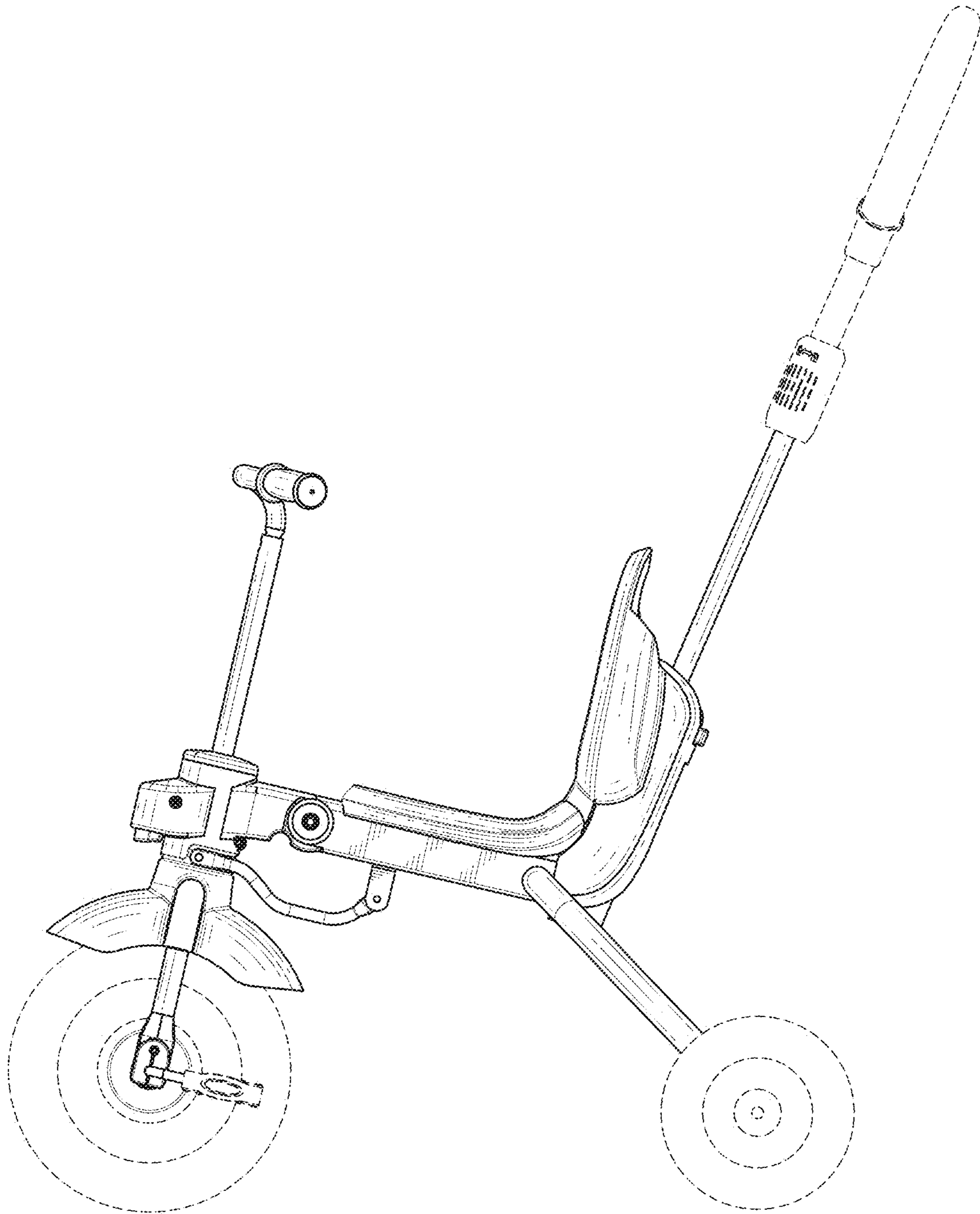


FIG. 5

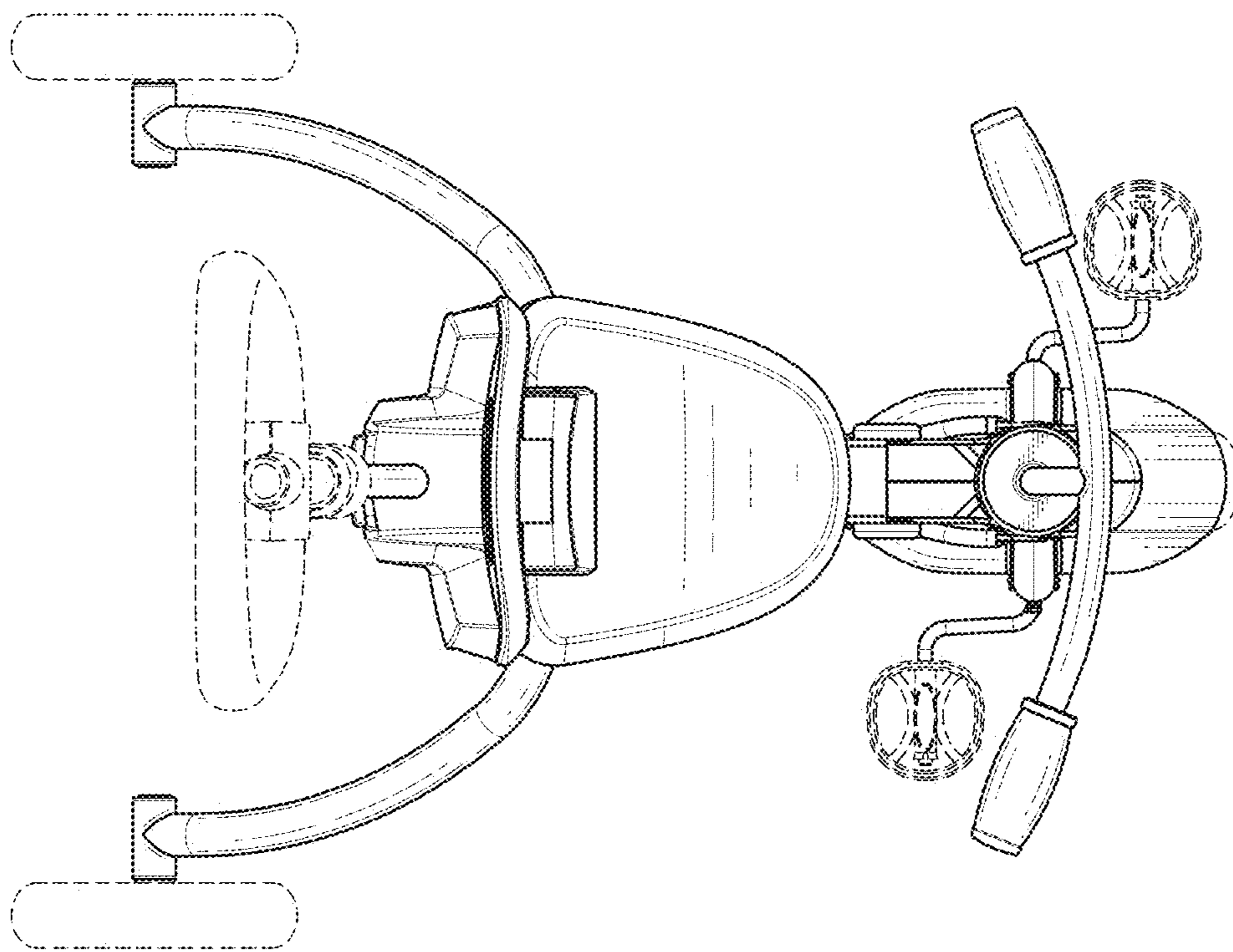


FIG. 6



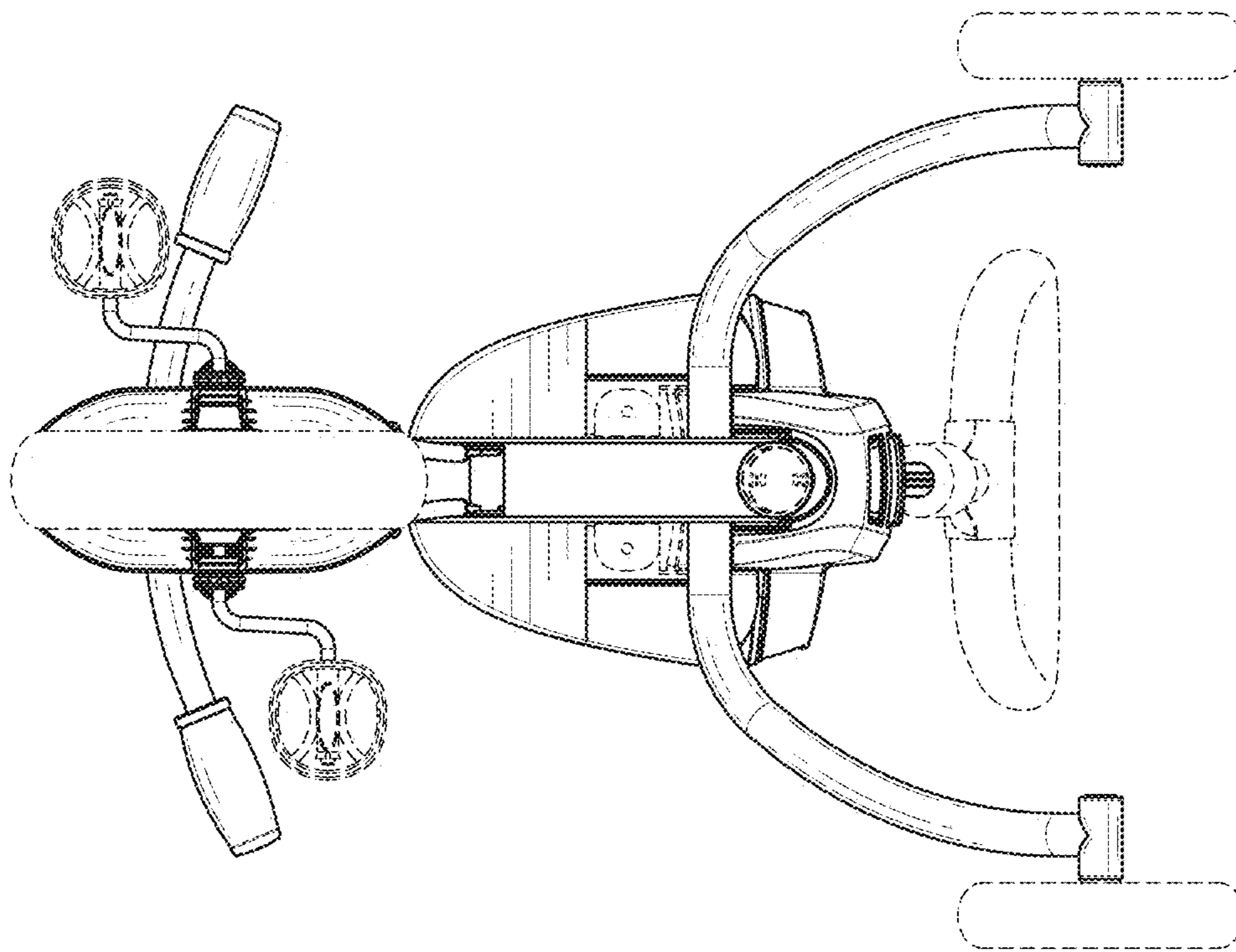


FIG. 7