



US00D896126S

(12) **United States Design Patent** (10) **Patent No.:** **US D896,126 S**
Platto et al. (45) **Date of Patent:** **** Sep. 15, 2020**

(54) **VEHICLE EXTERIOR**

(56) **References Cited**

(71) Applicant: **Ford Global Technologies, LLC**, Dearborn, MI (US)

(72) Inventors: **Gordon M. Platto**, Troy, MI (US); **Murat Gueler**, Cologne (DE); **Liviu Tudoran**, Cologne (DE); **Jason Castriota**, Stamford, CT (US); **Christopher George Walter**, Walled Lake, MI (US); **Colin R. Bonathan**, Wayne, MI (US); **Omead Dorandishyazdi**, Dearborn, MI (US); **Joel Piaskowski**, Birmingham, MI (US); **Dean Carbis**, Bloomfield Hills, MI (US); **Robert Todd Laster**, Wixom, MI (US); **Jesse Rene Diephuis**, West Bloomfield, MI (US); **Richard Joseph Michaels**, Saint Clair Shores, MI (US); **David Christopher Mahoney**, Orchard Lake, MI (US); **Marco Querciagrossa**, Dearborn, MI (US); **Aditya Narayan**, Detroit, MI (US)

U.S. PATENT DOCUMENTS

D686,531 S *	7/2013	Lamm	D12/91
D686,532 S *	7/2013	Lamm	D12/91
D728,423 S *	5/2015	Rupar	D12/91
D731,923 S *	6/2015	Tanaka	D12/91
D736,119 S *	8/2015	Kaoud	D12/91
D737,176 S *	8/2015	Kaoud	D12/92
D741,224 S *	10/2015	Rupar	D12/91
D741,752 S *	10/2015	Messale	D12/91
D776,007 S *	1/2017	An	D12/91
D788,643 S *	6/2017	Bucher	D12/91
D823,166 S *	7/2018	Gueler	D12/91
D823,167 S *	7/2018	Gueler	D12/91
D832,142 S *	10/2018	Gueler	D12/91
D832,143 S *	10/2018	Gueler	D12/91
D881,071 S *	4/2020	Tonello	D12/91
D883,143 S *	5/2020	Woodhouse	D12/91

* cited by examiner

Primary Examiner — Melody N Brown
(74) *Attorney, Agent, or Firm* — Burriss Law, PLLC

(73) Assignee: **Ford Global Technologies, LLC**, Dearborn, MI (US)

(57) **CLAIM**

The ornamental design for a vehicle exterior, as shown and described.

(**) Term: **15 Years**

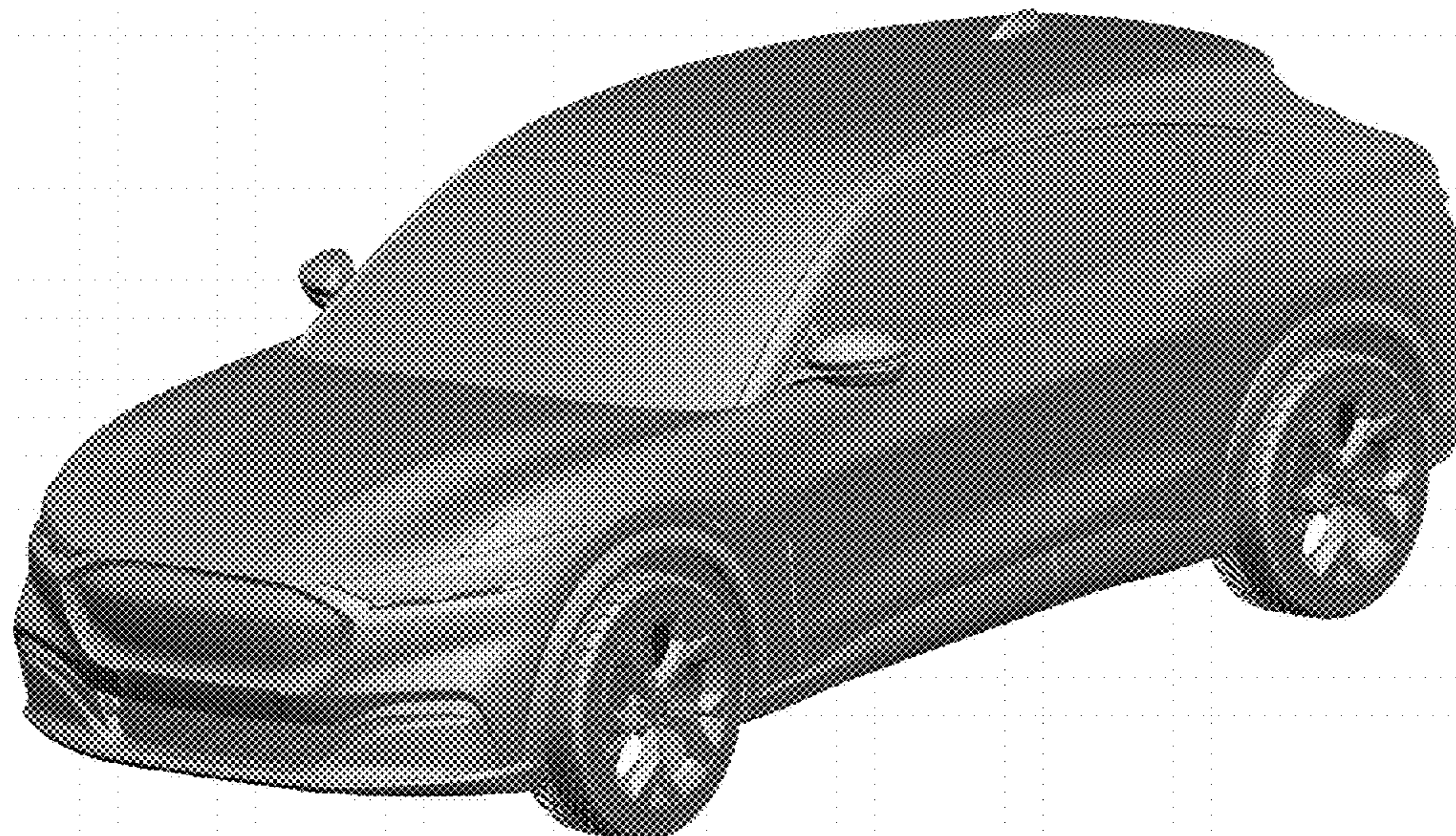
DESCRIPTION

(21) Appl. No.: **29/667,297**

(22) Filed: **Oct. 19, 2018**
(51) **LOC (12) Cl.** **12-08**
(52) **U.S. Cl.**
USPC **D12/91**
(58) **Field of Classification Search**
USPC D12/86, 90-92; D21/424, 433, 434;
296/181.1-181.5, 183.1
CPC B62D 25/00; B62D 25/06; B62D 33/00;
B62D 35/00
See application file for complete search history.

FIG. 1 is a front elevational view of a vehicle exterior showing our new design;
FIG. 2 is a rear elevational view thereof;
FIG. 3 is a left side elevational view thereof;
FIG. 4 is a right side elevational view thereof;
FIG. 5 is a top plan view thereof;
FIG. 6 is a top, front and left side perspective view thereof;
and,
FIG. 7 is a top, rear and left side perspective view thereof.

1 Claim, 7 Drawing Sheets



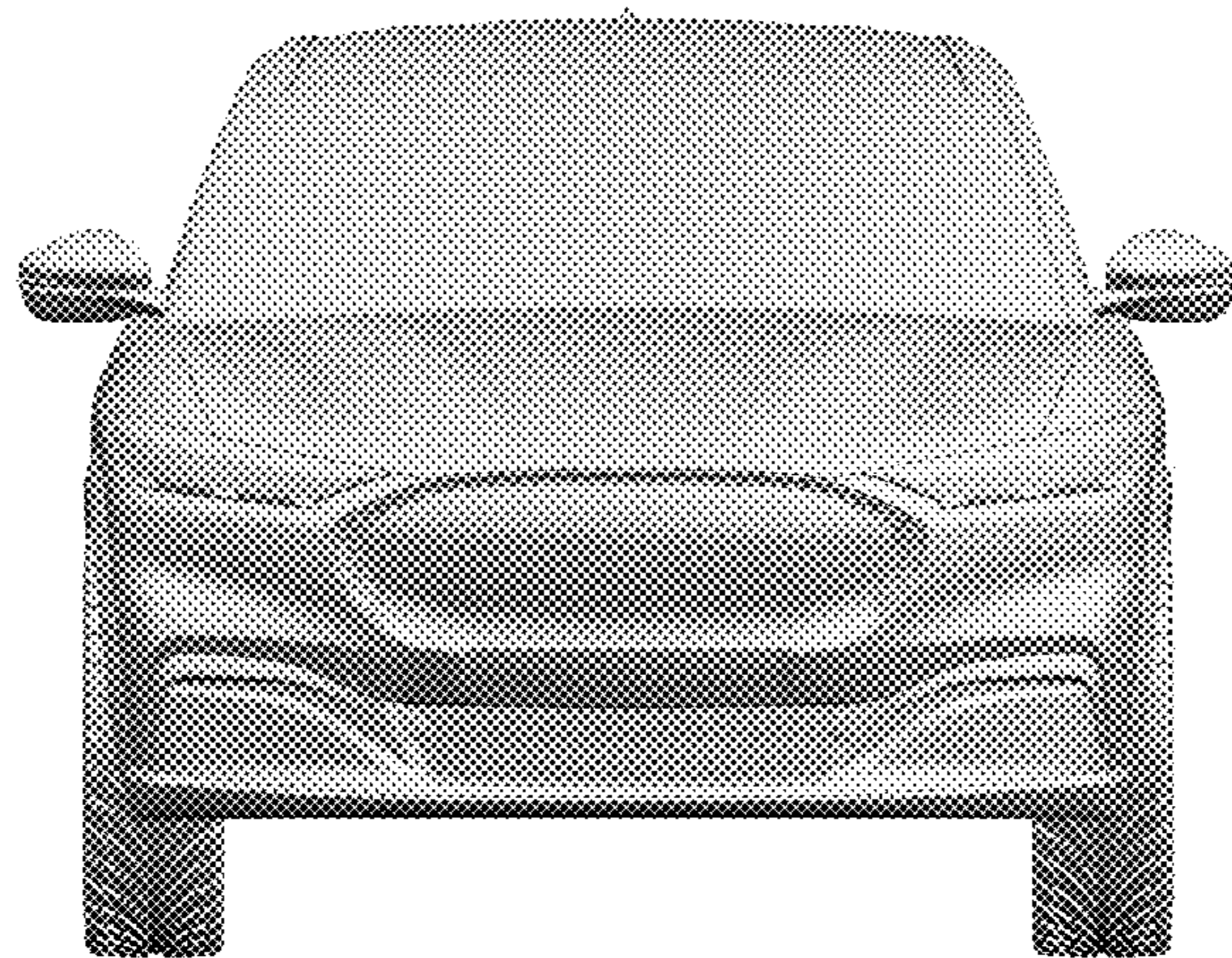


Fig. 1

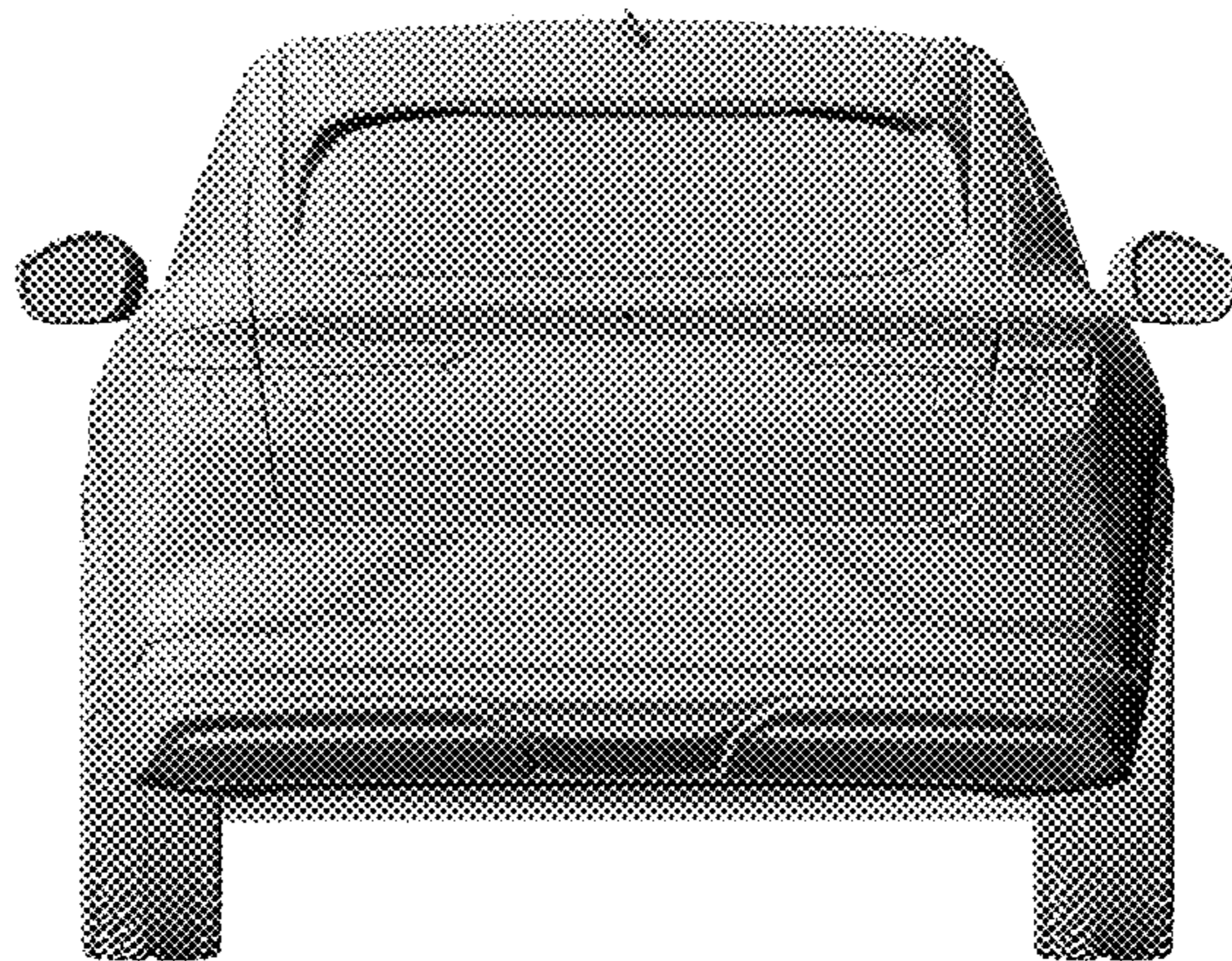


Fig. 2

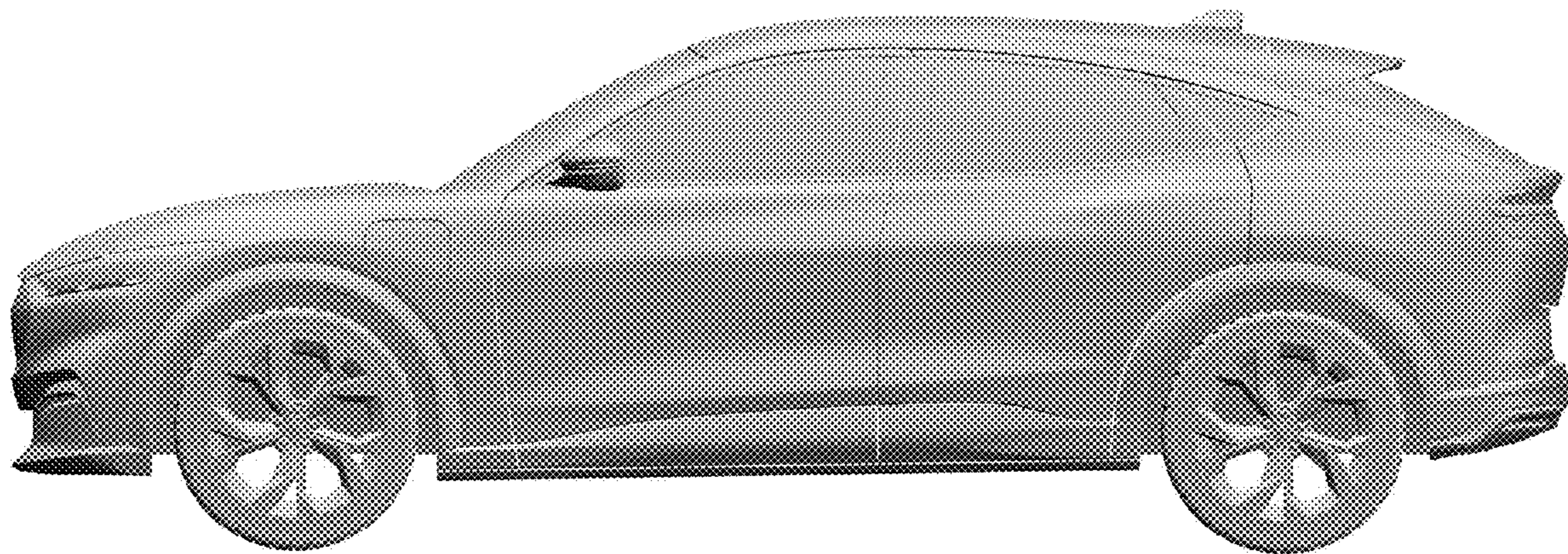


Fig. 3

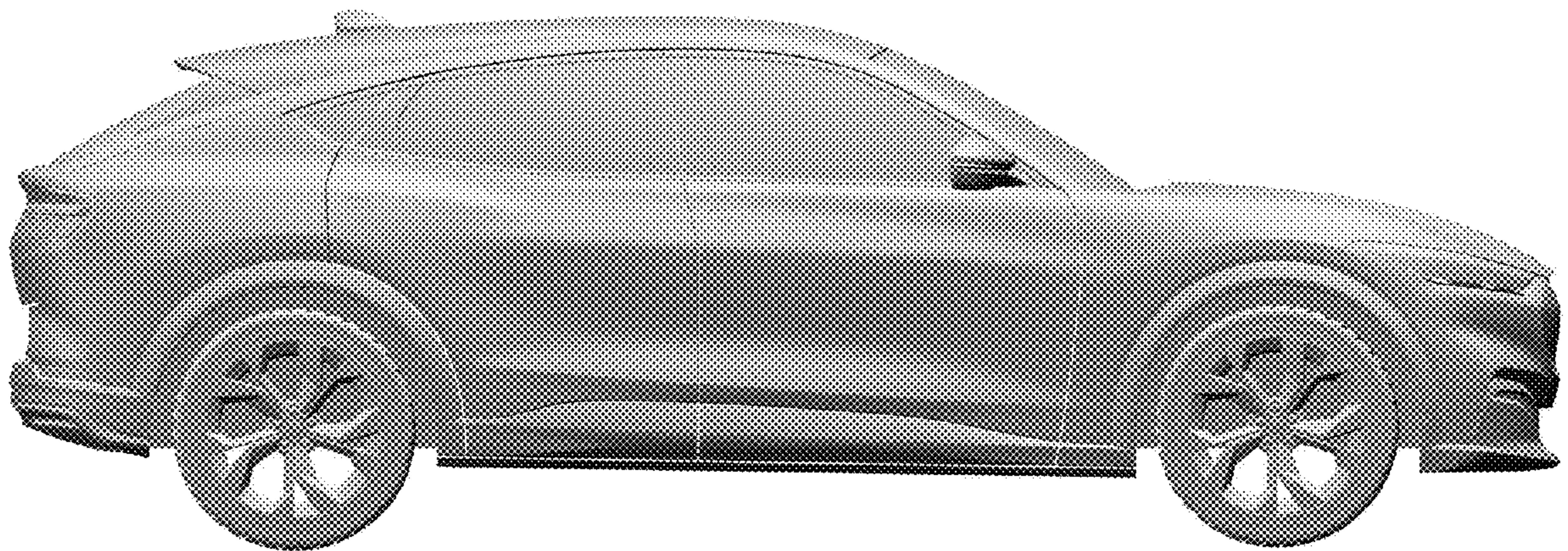


Fig. 4

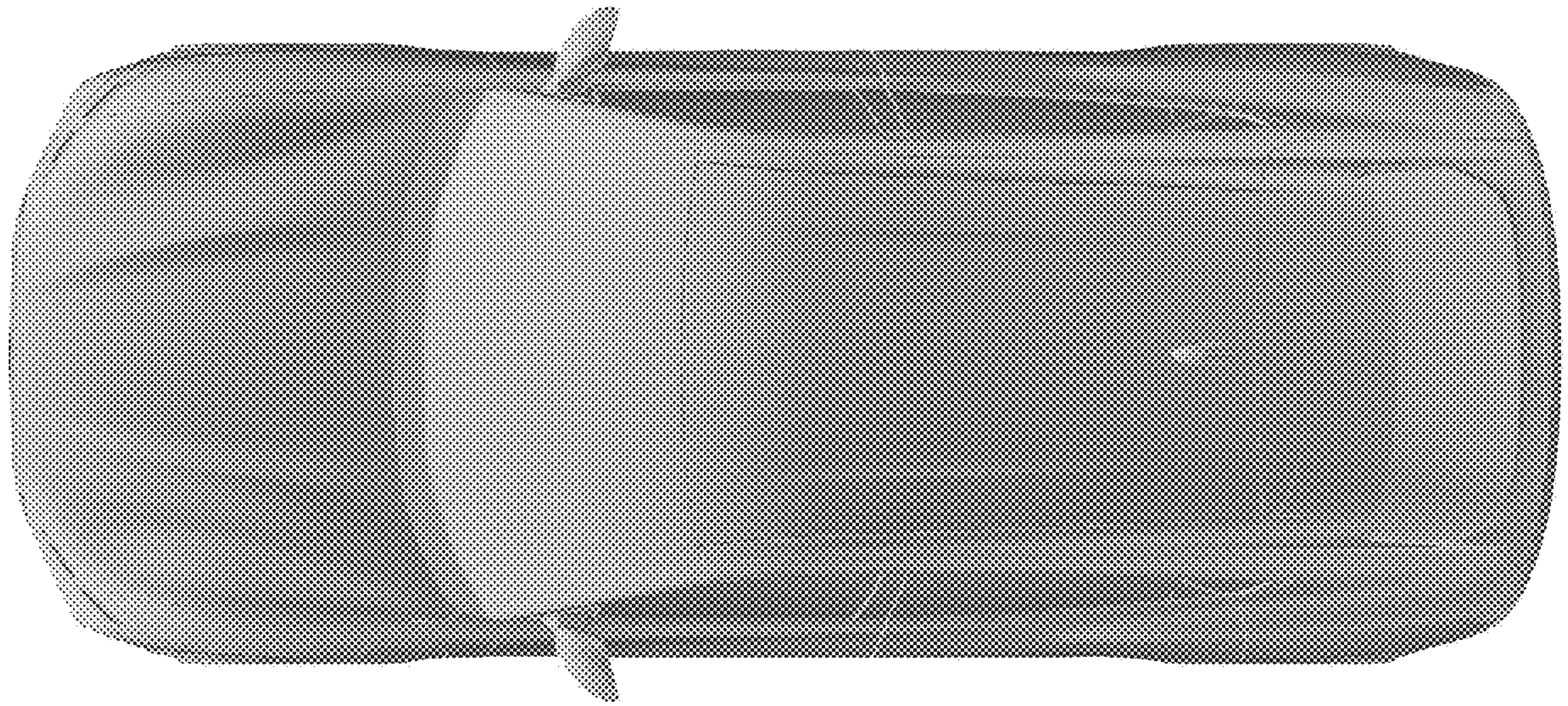


Fig. 5

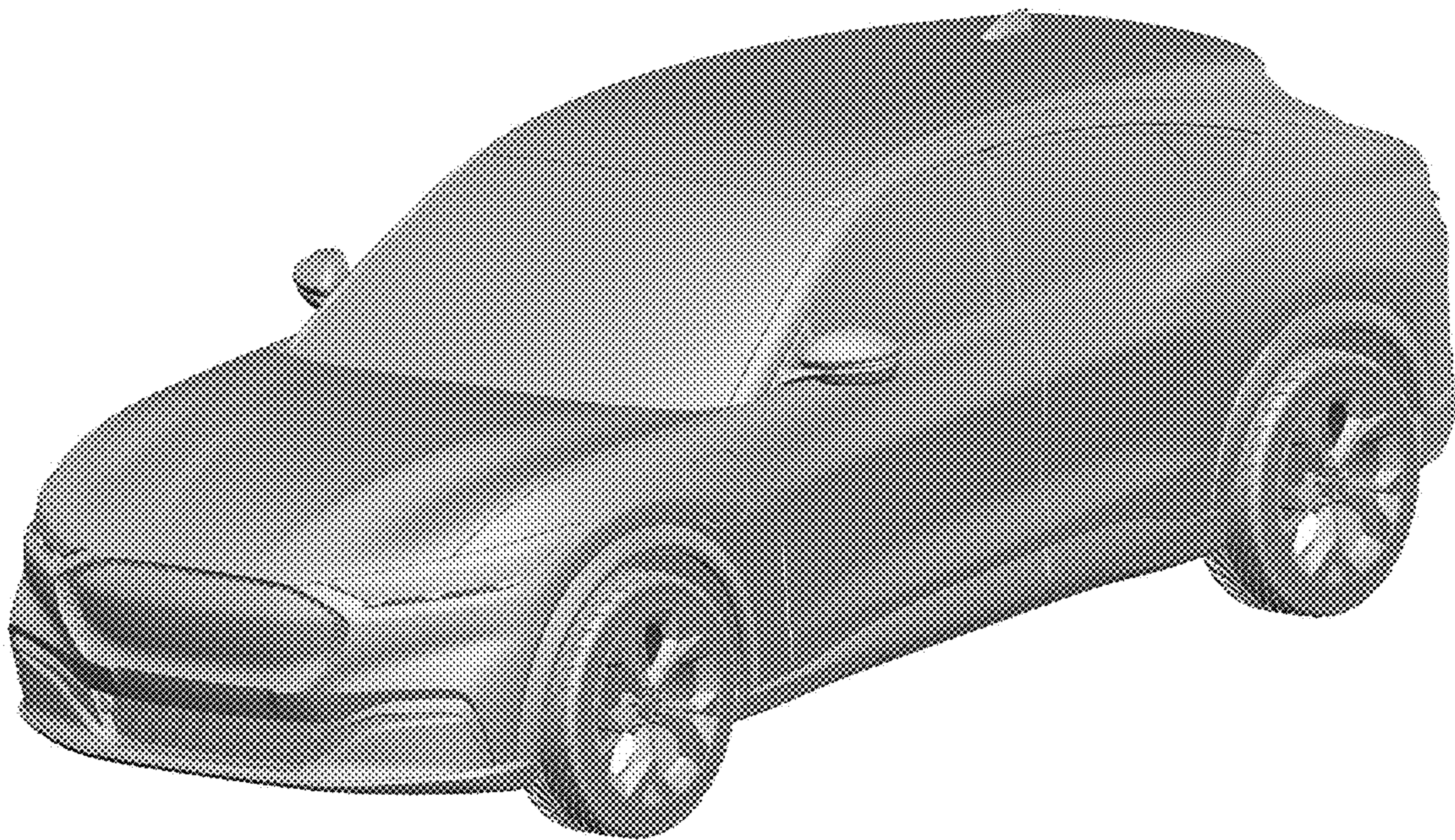


Fig. 6

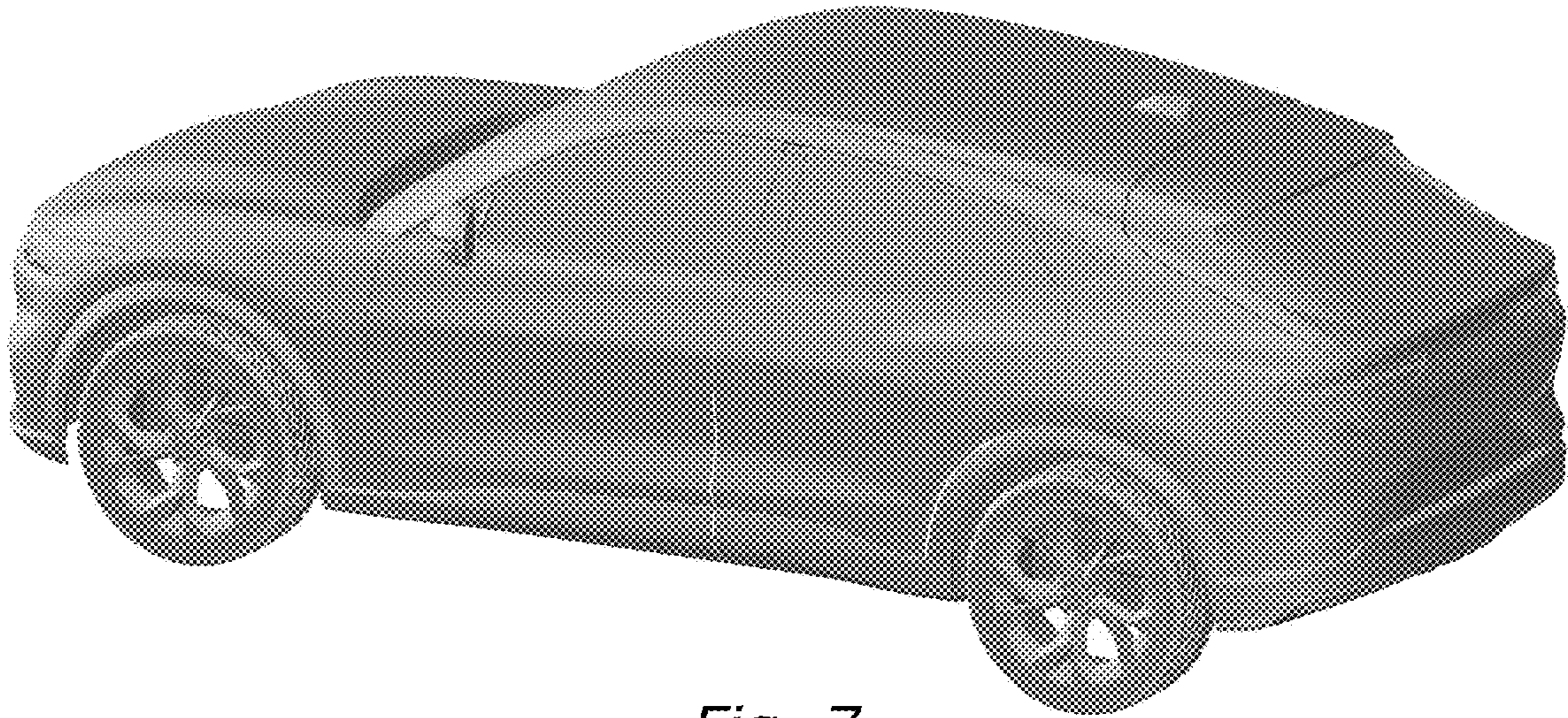


Fig. 7