



US00D896124S

(12) **United States Design Patent**  
**Talerico**

(10) **Patent No.:** **US D896,124 S**

(45) **Date of Patent:** **\*\* Sep. 15, 2020**

(54) **HANGING BASKET TOOL**

(71) Applicant: **Mark Talerico**, Clio, MI (US)

(72) Inventor: **Mark Talerico**, Clio, MI (US)

(\*\*) Term: **15 Years**

(21) Appl. No.: **29/692,676**

(22) Filed: **May 28, 2019**

(51) **LOC (12) Cl.** ..... **11-02**

(52) **U.S. Cl.**

USPC ..... **D11/152**

(58) **Field of Classification Search**

USPC ..... D11/143–156, 164; D3/304, 313, 314;  
D6/403, 404, 405, 556, 557, 558;  
D7/357, 553.2, 553.3, 554.3, 554.4;  
D9/433, 454, 455

CPC . A01G 5/04; A01G 9/02; A01G 9/021; A01G  
9/022; A01G 9/027; A01G 9/028; A01G  
9/029; A01G 9/0293; A01G 9/0295;  
A01G 9/0297; A01G 9/0299; A01G 9/04;  
A01G 9/042; A01G 9/045; A47G 7/00;  
A47G 7/02; A47G 7/04; A47G 7/06;  
A47G 7/08

See application file for complete search history.

(56) **References Cited**

**U.S. PATENT DOCUMENTS**

D52,692 S *	11/1918	Beiswanger	.....	D7/565
D241,796 S *	10/1976	Dziewulski	.....	D11/148
D293,823 S *	1/1988	Fieschi	.....	D26/11
D296,425 S *	6/1988	Carlson	.....	D11/152
D322,047 S *	12/1991	Wolfenden	.....	D11/153
D329,406 S *	9/1992	Grosfillex	.....	D11/153
D346,135 S *	4/1994	Carlson	.....	D11/153
D416,116 S *	11/1999	Sofy	.....	D32/37
D453,094 S *	1/2002	Maggard	.....	D7/584

D515,970 S *	2/2006	Hensen	.....	D11/153
D536,277 S *	2/2007	Cabeza	.....	D11/152
D569,763 S *	5/2008	Schmidt	.....	D11/152
D684,891 S *	6/2013	Team	.....	D11/149
D734,205 S *	7/2015	DeYoung	.....	D11/152
D765,232 S *	8/2016	Horsfield	.....	D23/343
D774,352 S *	12/2016	Gross	.....	D7/400
D800,014 S *	10/2017	Beesley	.....	D11/152
D807,119 S *	1/2018	Bell	.....	A47G 19/2205 D7/532
D829,594 S *	10/2018	Beesley	.....	D11/152
D830,891 S *	10/2018	Thuma	.....	D11/152
D869,987 S *	12/2019	Ryan	.....	D11/149
D889,833 S *	7/2020	Zeanah	.....	D3/308

\* cited by examiner

*Primary Examiner* — Elizabeth A. Albert

(74) *Attorney, Agent, or Firm* — The Dobrusin Law Firm, P.C.

(57) **CLAIM**

The ornamental design for a hanging basket tool, as shown and described.

**DESCRIPTION**

FIG. 1 is a top perspective view of the hanging basket tool showing my new design;

FIG. 2 is a bottom perspective view thereof;

FIG. 3 is a side view thereof;

FIG. 4 is a top plan view thereof;

FIG. 5 is a bottom plan view thereof;

FIG. 6 is another top perspective view thereof;

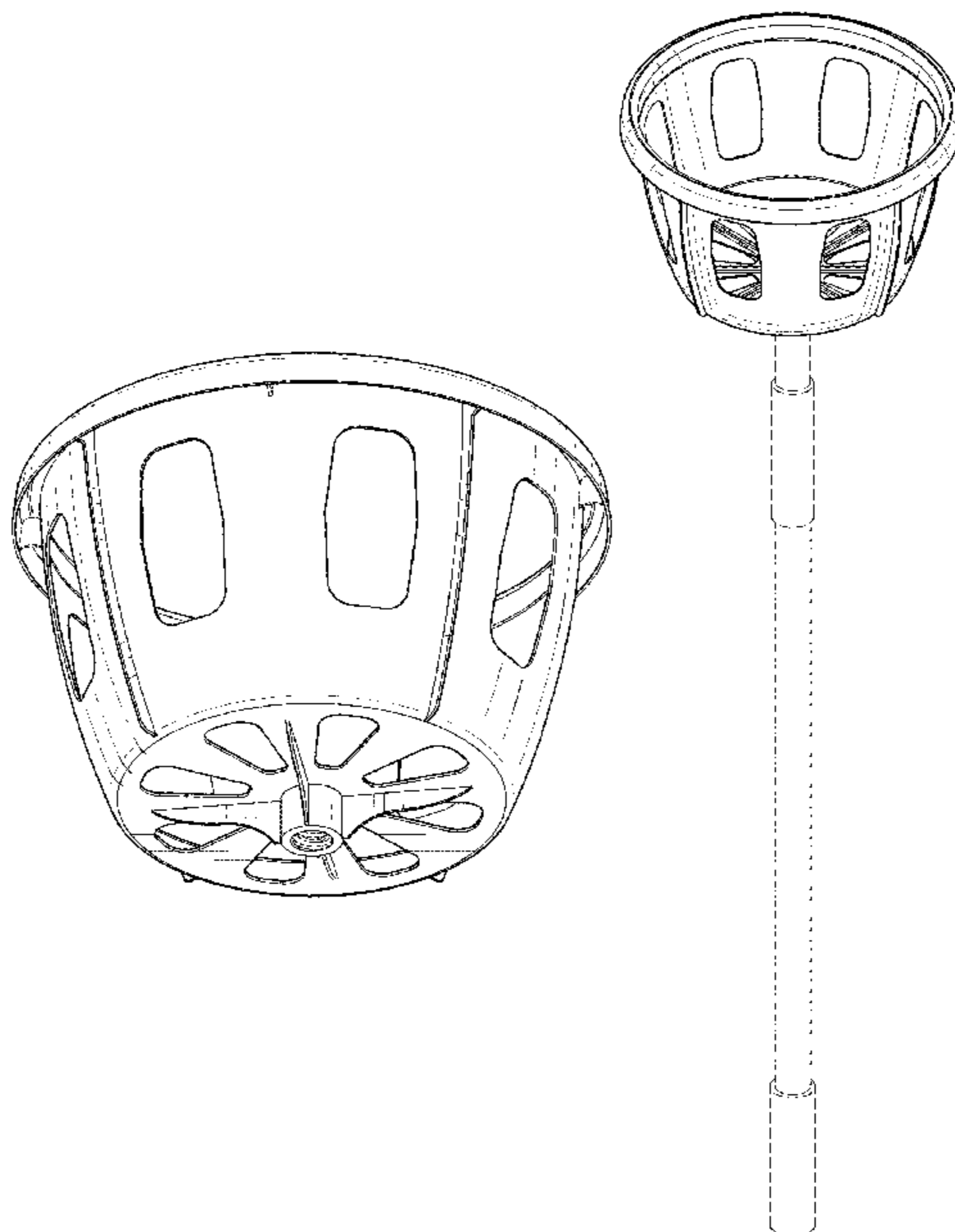
FIG. 7 is another bottom perspective view thereof;

FIG. 8 is another side view thereof; and,

FIG. 9 is another bottom view thereof.

The broken lines in the drawings are included to show a feature in the environment that forms no part of the claimed design.

**1 Claim, 7 Drawing Sheets**



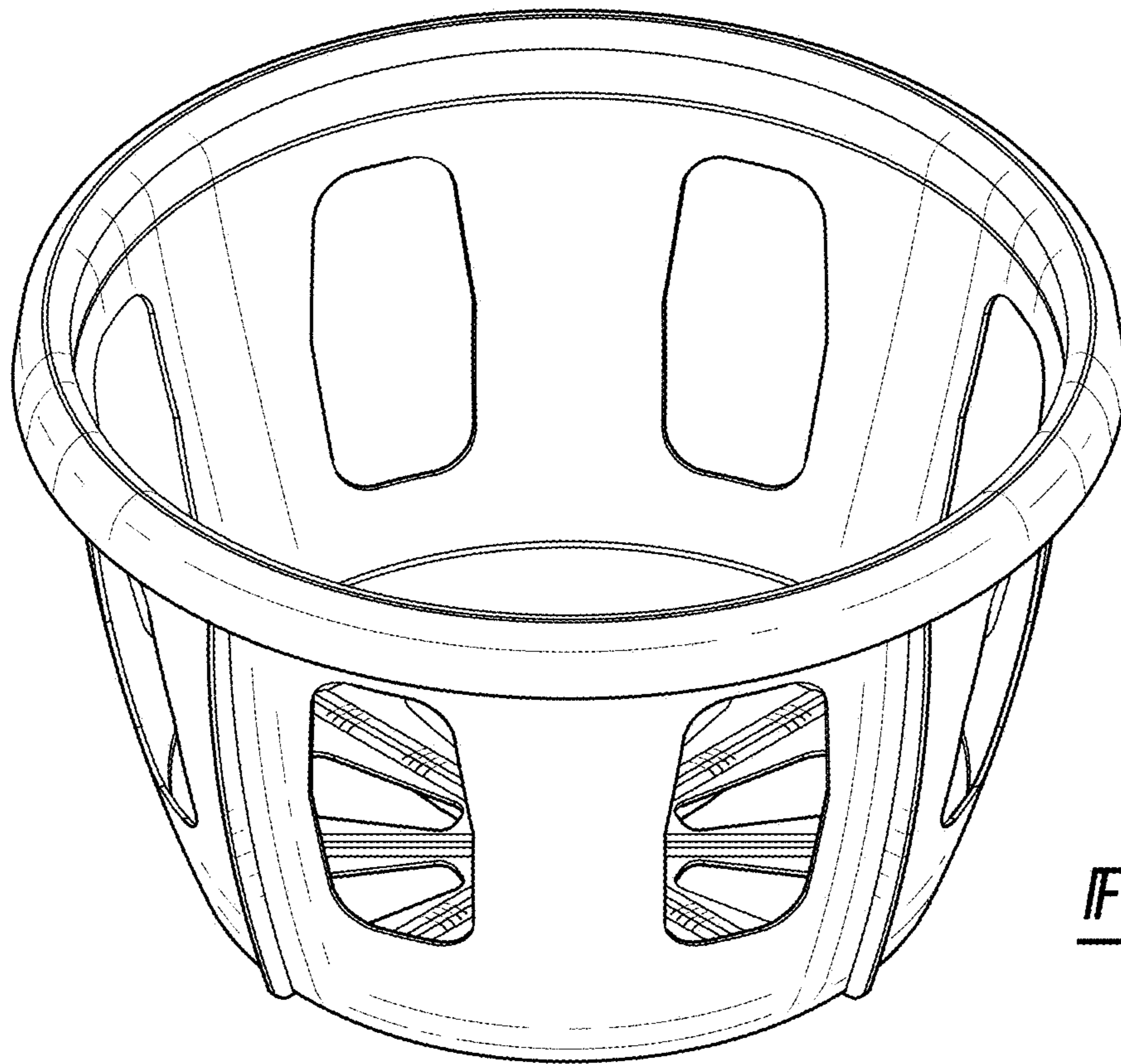


Fig-1

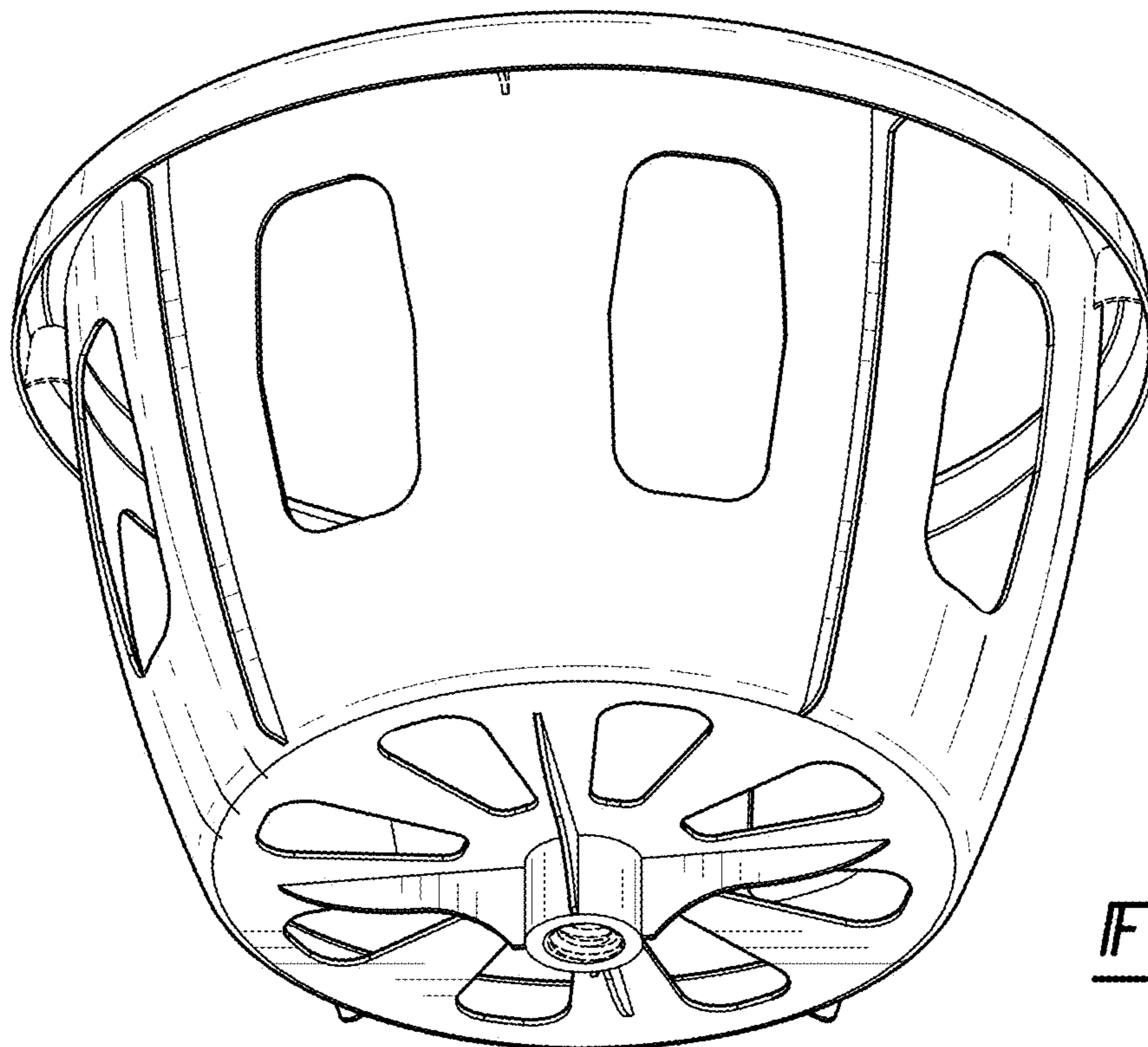


Fig-2

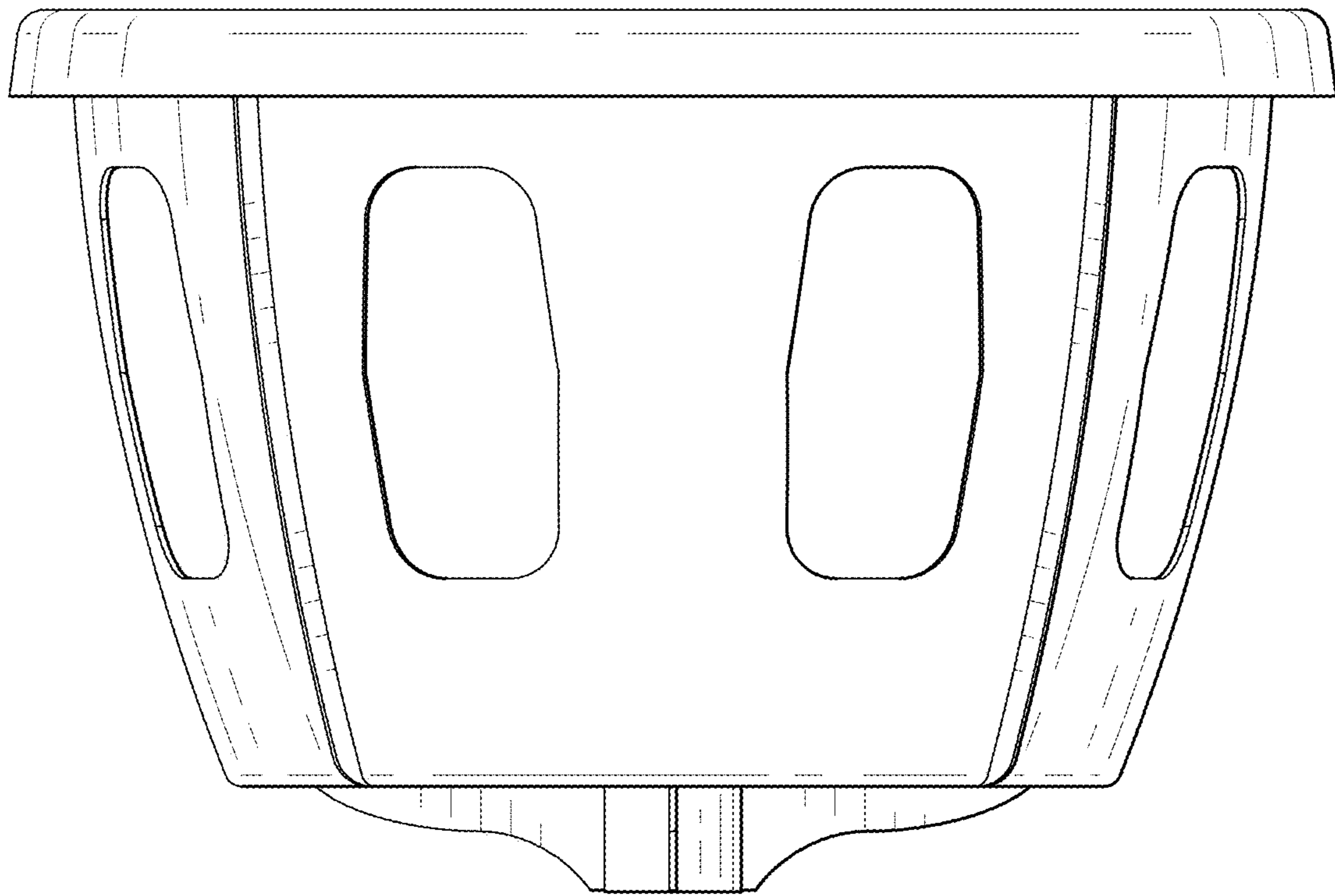


Fig-3

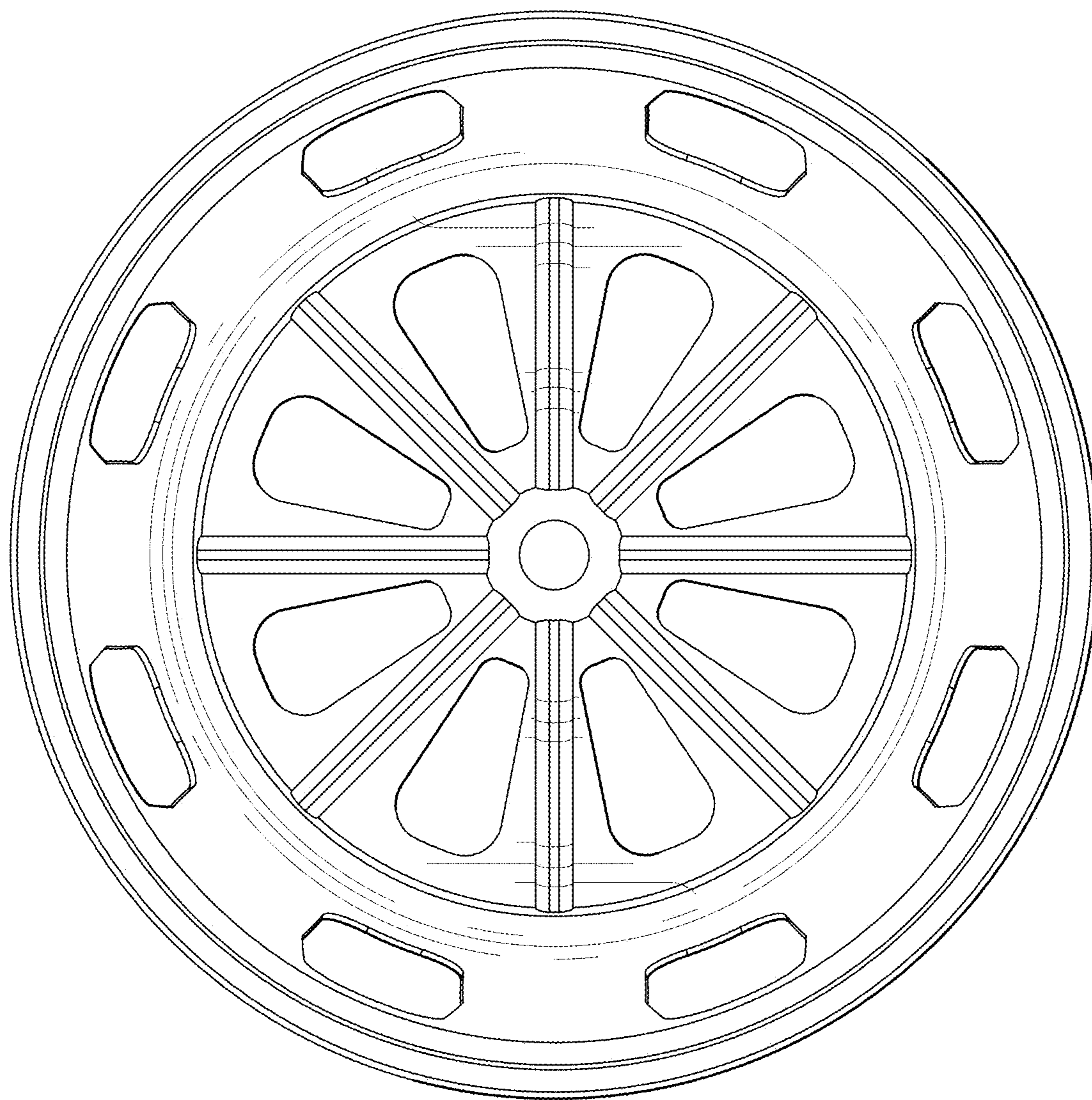


Fig-4

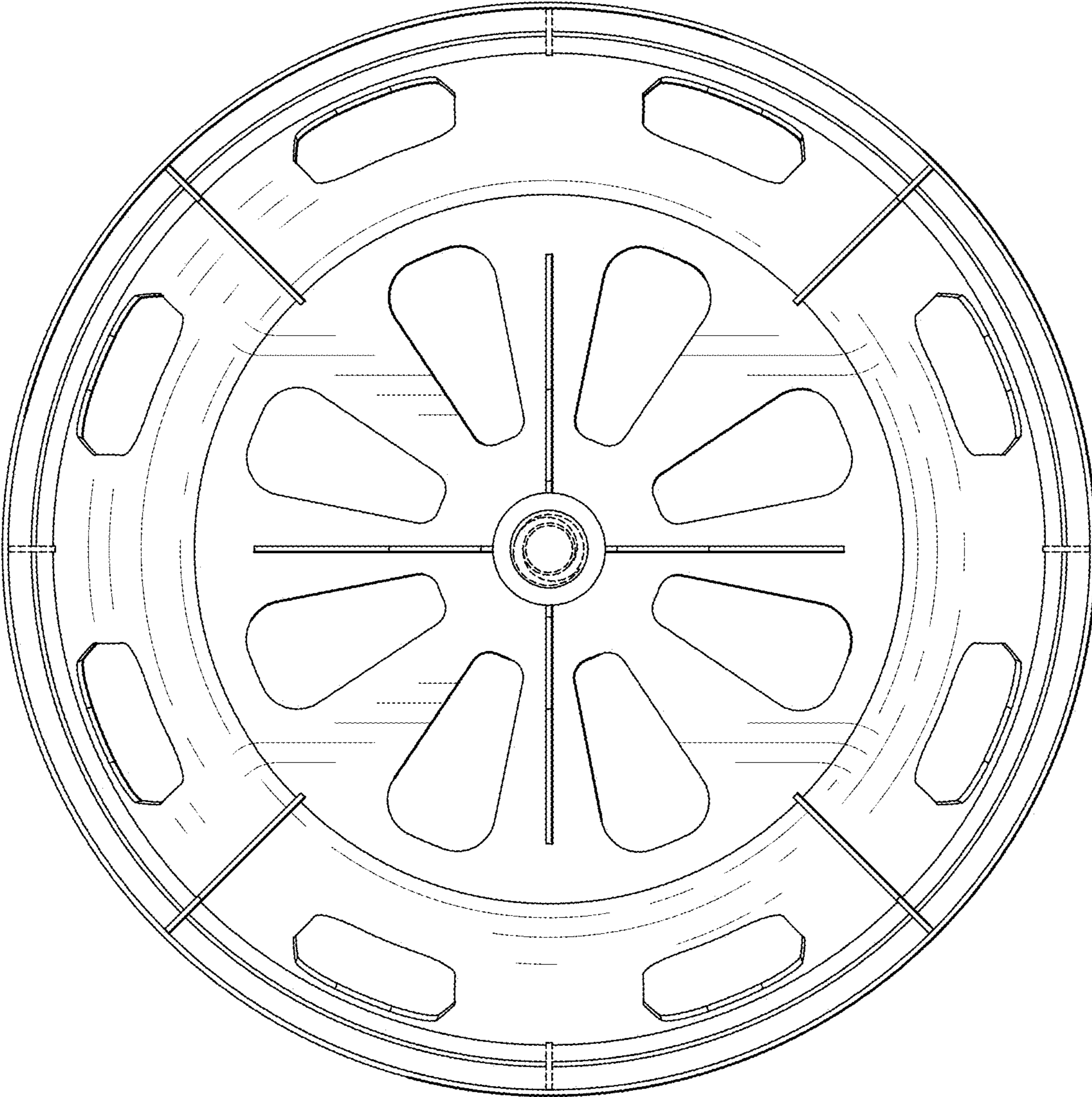


Fig-5

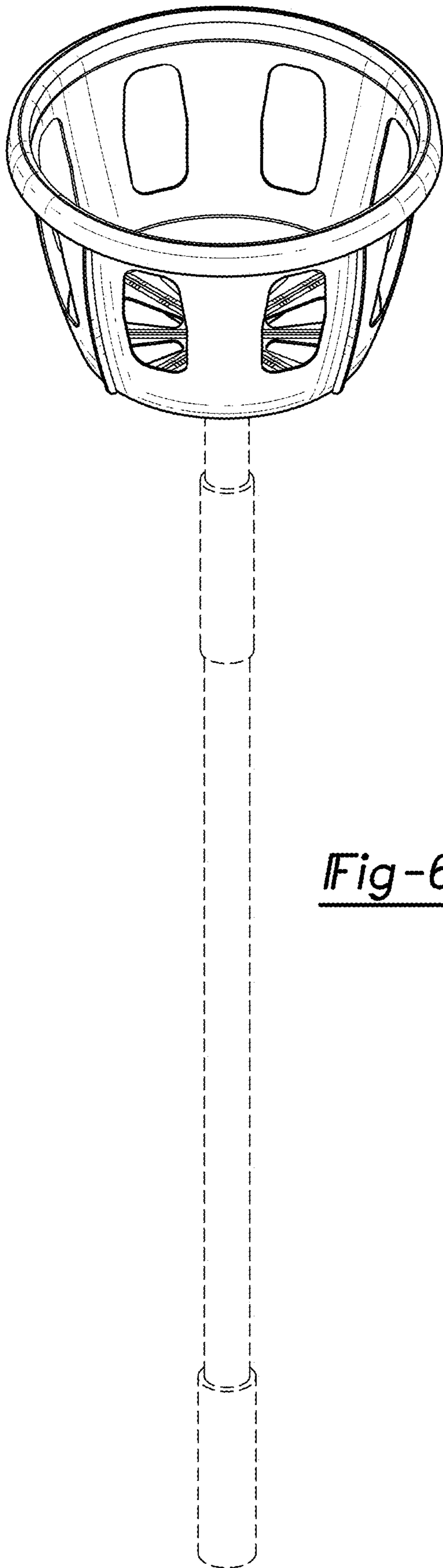


Fig-6

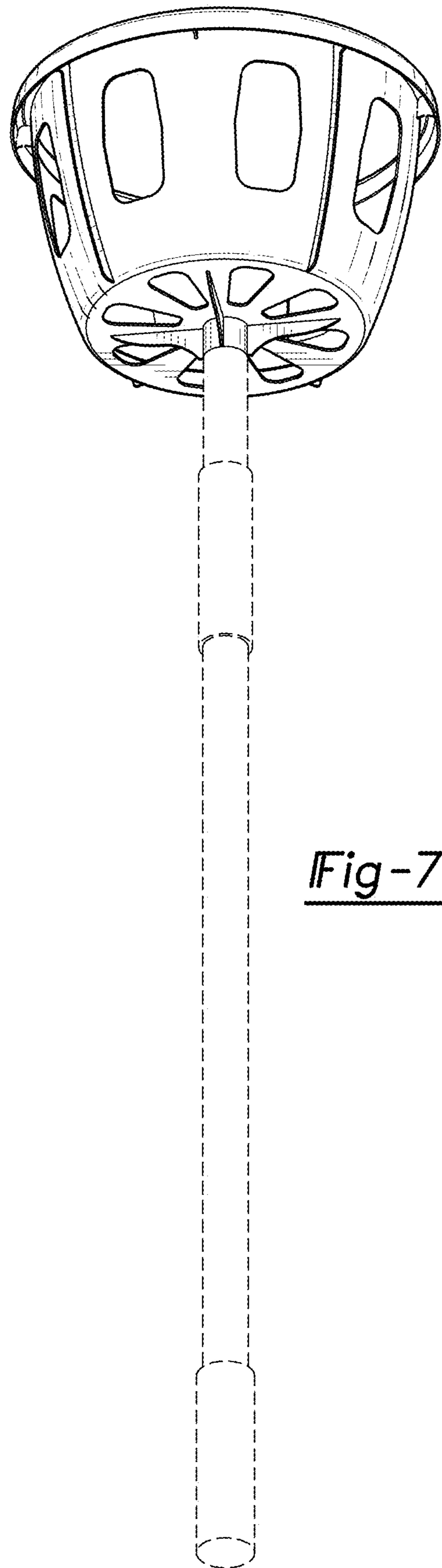


Fig-7

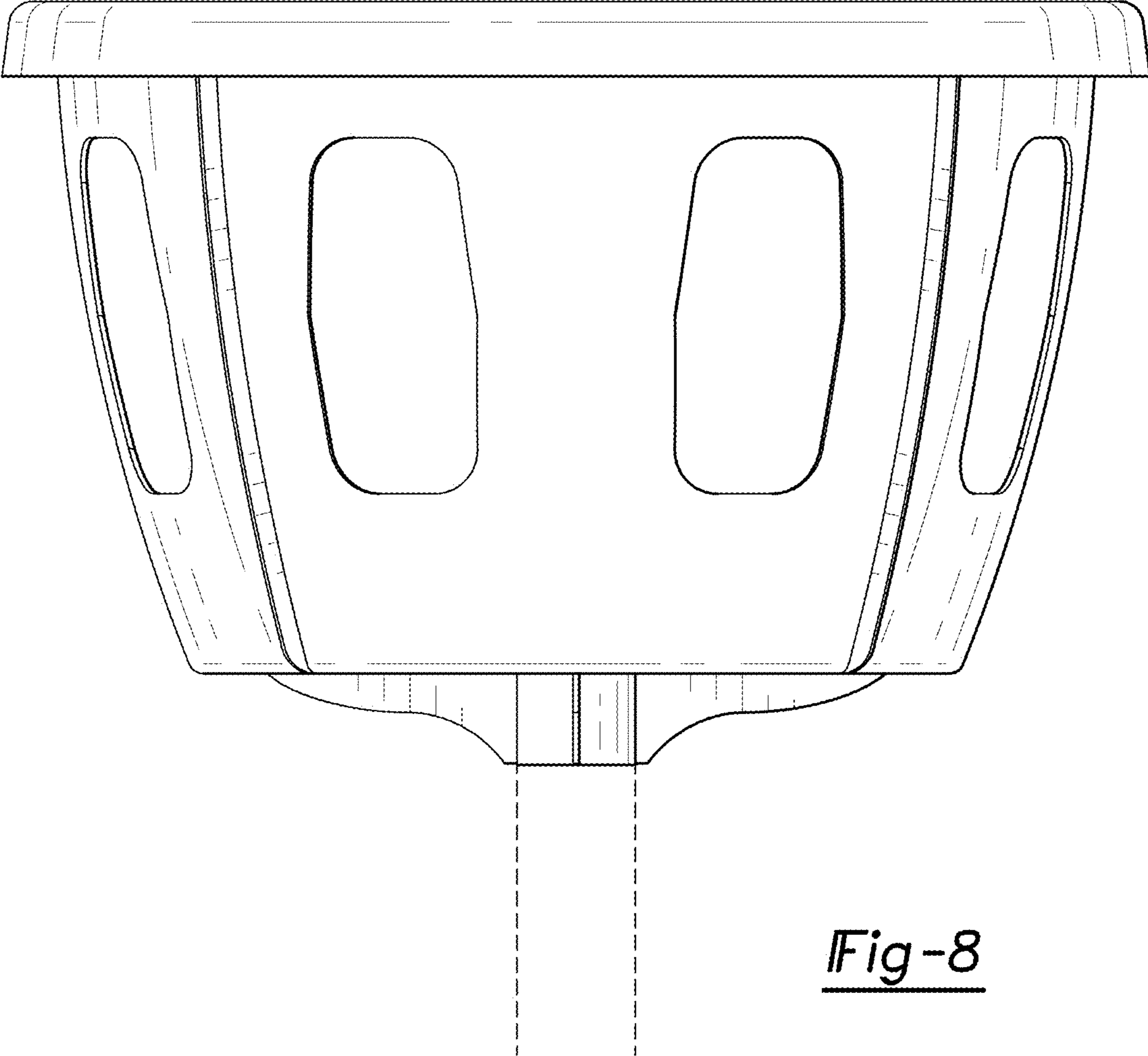


Fig-8

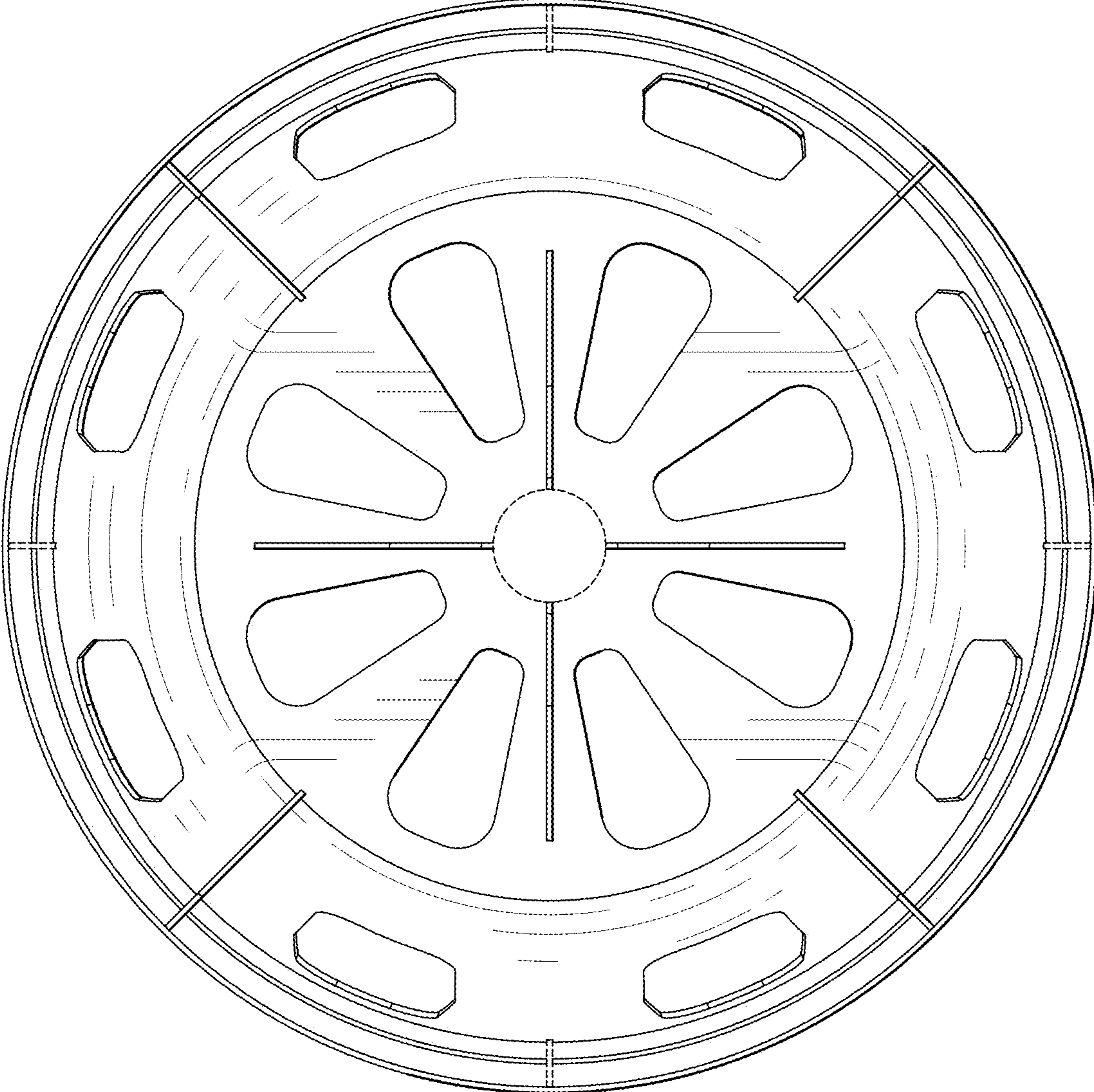


Fig-9