



US00D896122S

(12) **United States Design Patent** (10) **Patent No.:** **US D896,122 S**
Thorne et al. (45) **Date of Patent:** **** Sep. 15, 2020**

(54) **PLANTING TRAY**
(71) Applicant: **GSky Plant Systems, Inc.**, Delray Beach, FL (US)
(72) Inventors: **Harold F Thorne**, Boynton Beach, FL (US); **Takashi Sawada**, Vancouver (CA)
(73) Assignee: **GSky Plant Systems, Inc.**, Delray Beach, FL (US)
(**) Term: **15 Years**
(21) Appl. No.: **29/685,480**
(22) Filed: **Mar. 28, 2019**
(51) **LOC (12) Cl.** **11-02**
(52) **U.S. Cl.**
USPC **D11/143**
(58) **Field of Classification Search**
USPC D11/143–156, 164; D3/304, 313, 314; D6/403, 404, 405, 556, 557, 558; D7/316, 598; D9/428, 432, 456
CPC . A01G 5/04; A01G 9/02; A01G 9/021; A01G 9/022; A01G 9/026; A01G 9/027; A01G 9/029; A01G 9/0295; A01G 9/033; A47G 7/00; A47G 7/02; A47G 7/04; A47G 7/041; A47G 7/044; A47G 7/047; A47G 7/06; A47G 7/063; A47G 7/08
See application file for complete search history.

D275,467 S * 9/1984 Massonnet D11/155
4,887,388 A * 12/1989 Waltel, Jr. A01G 25/02
47/79
4,962,855 A * 10/1990 Holmquist B65D 1/36
206/423
D322,707 S * 12/1991 Iverson D11/156
D323,415 S * 1/1992 Iverson D11/156
D323,416 S * 1/1992 Iverson D11/156
D372,547 S * 8/1996 Sjodin D25/164
5,826,375 A 10/1998 Black
D494,867 S * 8/2004 Apps D9/456
D535,881 S * 1/2007 Liukko D3/304
7,677,405 B2 * 3/2010 Apps B65D 1/243
220/513
7,877,927 B2 2/2011 Roy et al.
D666,123 S * 8/2012 Sichelto D11/143
8,245,443 B1 8/2012 Caruso
8,627,599 B2 * 1/2014 Contillo A01G 9/045
47/87

(Continued)

FOREIGN PATENT DOCUMENTS

ES 1028463 U 1/1995
KR 101009461 B1 1/2011

Primary Examiner — Elizabeth A. Albert
(74) *Attorney, Agent, or Firm* — Christopher & Weisberg, P.A.

(57) **CLAIM**

The ornamental design for a planting tray, as shown.

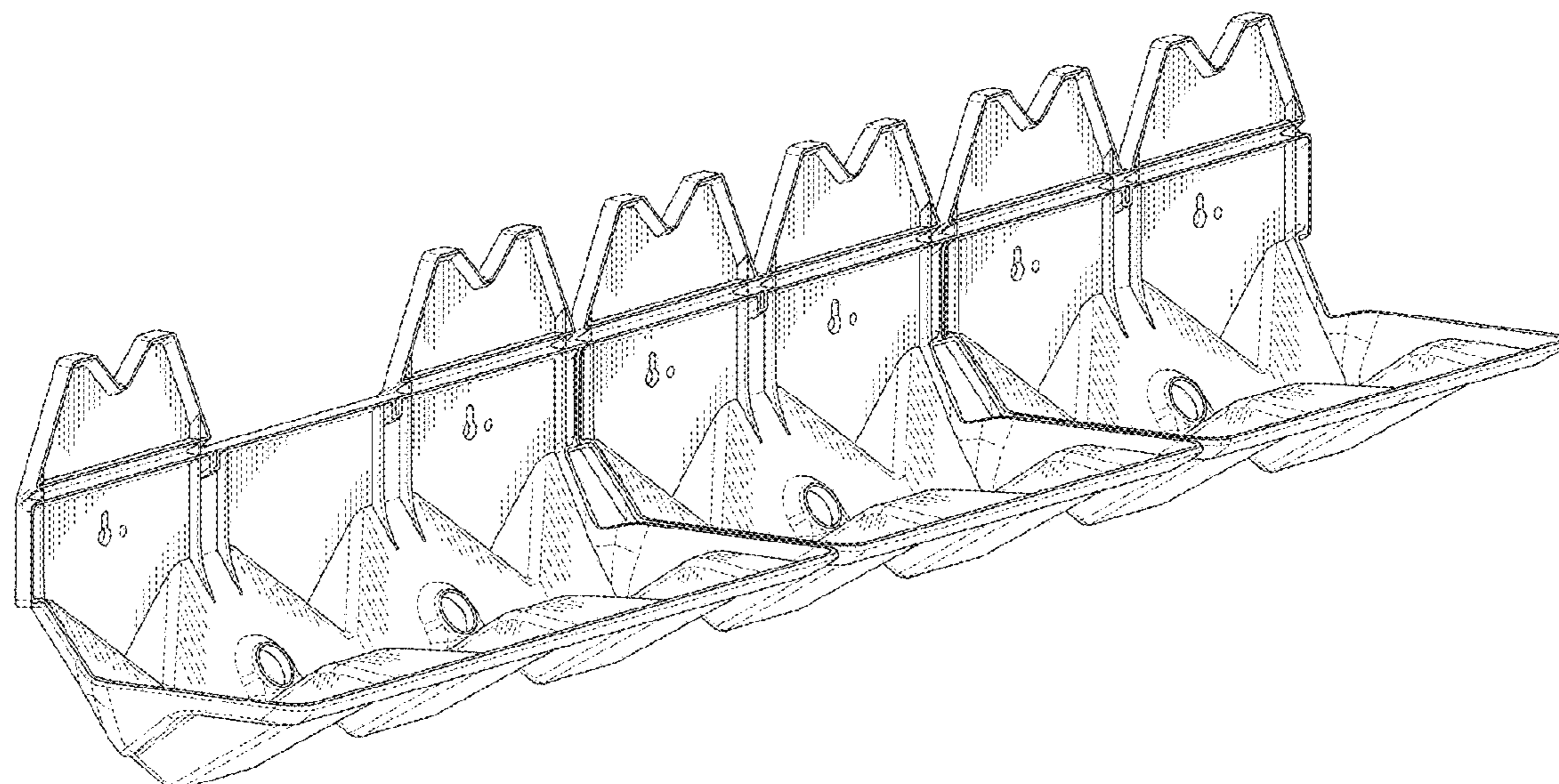
DESCRIPTION

FIG. 1 is a front perspective view of a planting tray in accordance with the invention;
FIG. 2 is a front view thereof;
FIG. 3 is a rear view thereof;
FIG. 4 is a top view thereof;
FIG. 5 is a bottom view thereof;
FIG. 6 is a left side view thereof; and,
FIG. 7 is a right side view thereof.

1 Claim, 4 Drawing Sheets

(56) **References Cited**
U.S. PATENT DOCUMENTS

1,993,620 A 3/1935 Otwell
2,022,548 A 11/1935 Otwell
D167,567 S * 8/1952 French D9/456
D185,652 S * 7/1959 Williams D9/456
3,009,291 A 11/1961 Blackmore
D229,674 S * 12/1973 Quigg D9/456



(56)

References Cited

U.S. PATENT DOCUMENTS

D700,053 S * 2/2014 Chudleigh D9/456
D702,126 S * 4/2014 Marchetti B65D 81/05
D9/456
9,004,298 B2 * 4/2015 Sichelto A01G 9/025
211/126.2
9,468,156 B2 10/2016 Sichelto
D787,148 S * 5/2017 Orschulik D34/35
D793,252 S * 8/2017 Prince D9/755
9,730,398 B2 8/2017 Halmos et al.
9,795,090 B2 10/2017 Nilsson et al.
9,809,366 B2 * 11/2017 Prince B65B 5/068
D833,829 S * 11/2018 Hertaus D7/600.1
D842,128 S * 3/2019 Giordano D9/758
D868,621 S * 12/2019 Diller A01G 9/027
D11/155
D868,622 S * 12/2019 Diller A01G 9/028
D11/155
2007/0157513 A1 7/2007 Varney et al.
2010/0146855 A1 6/2010 Ma
2010/0269409 A1 10/2010 Johnson
2016/0235023 A1 8/2016 Thoma
2018/0139915 A1 5/2018 Au

* cited by examiner

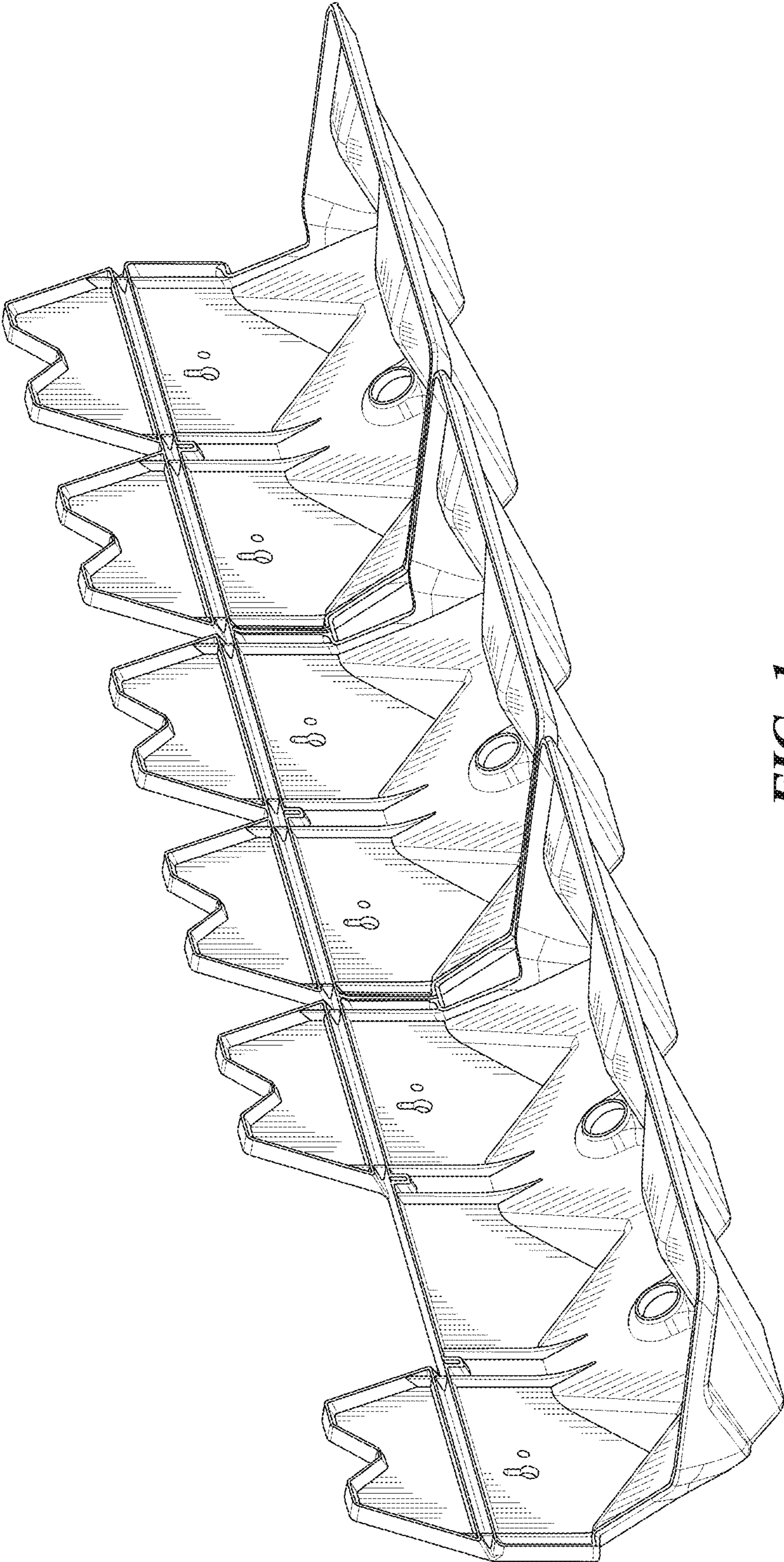


FIG. 1

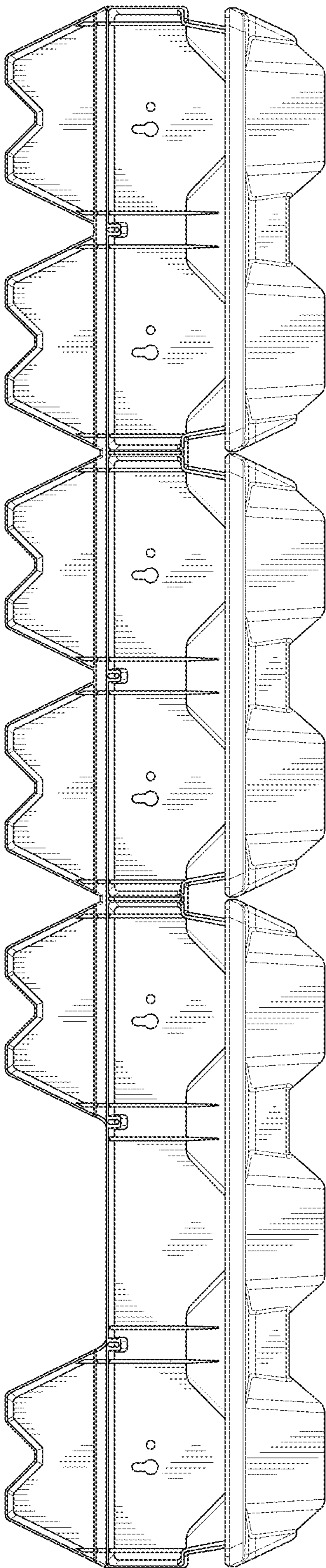


FIG. 2

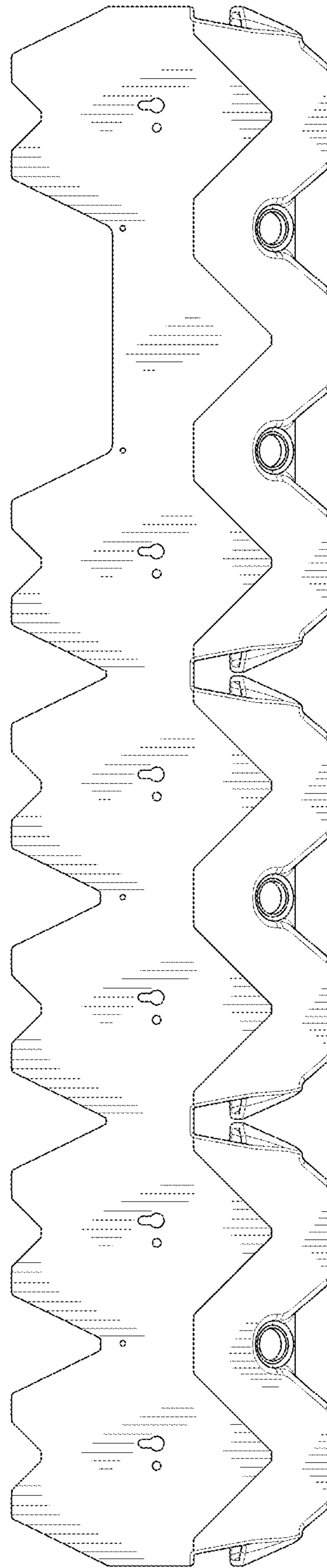


FIG. 3

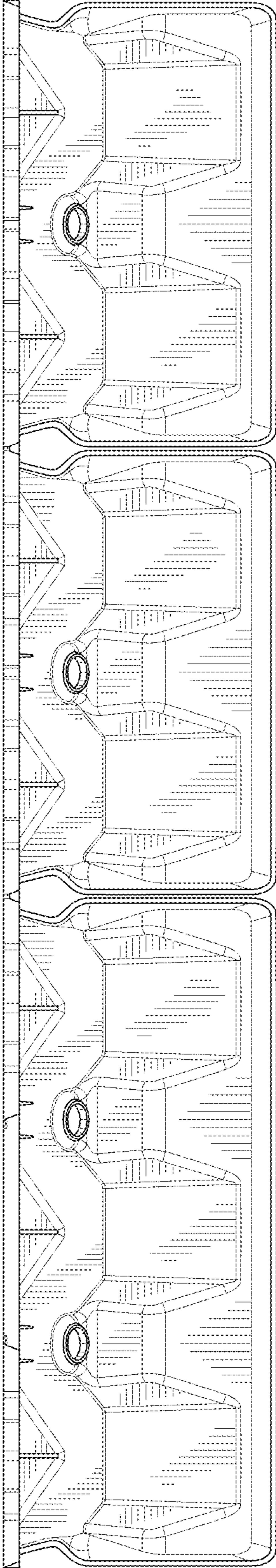


FIG. 4

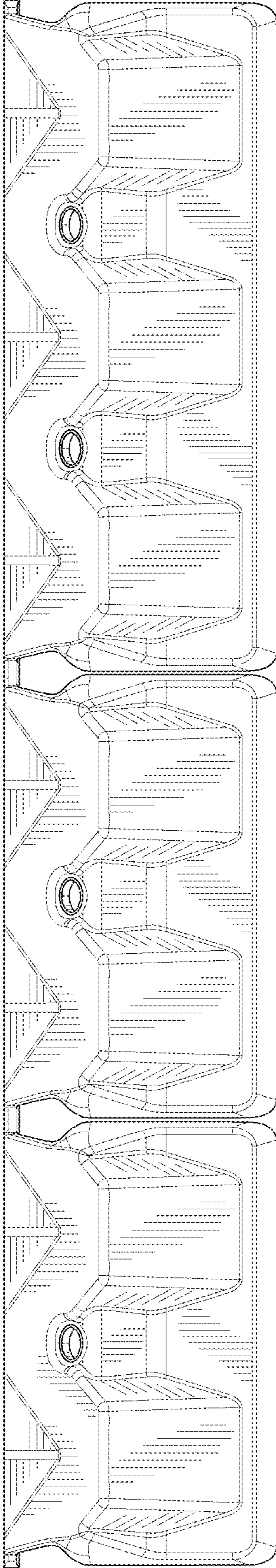


FIG. 5

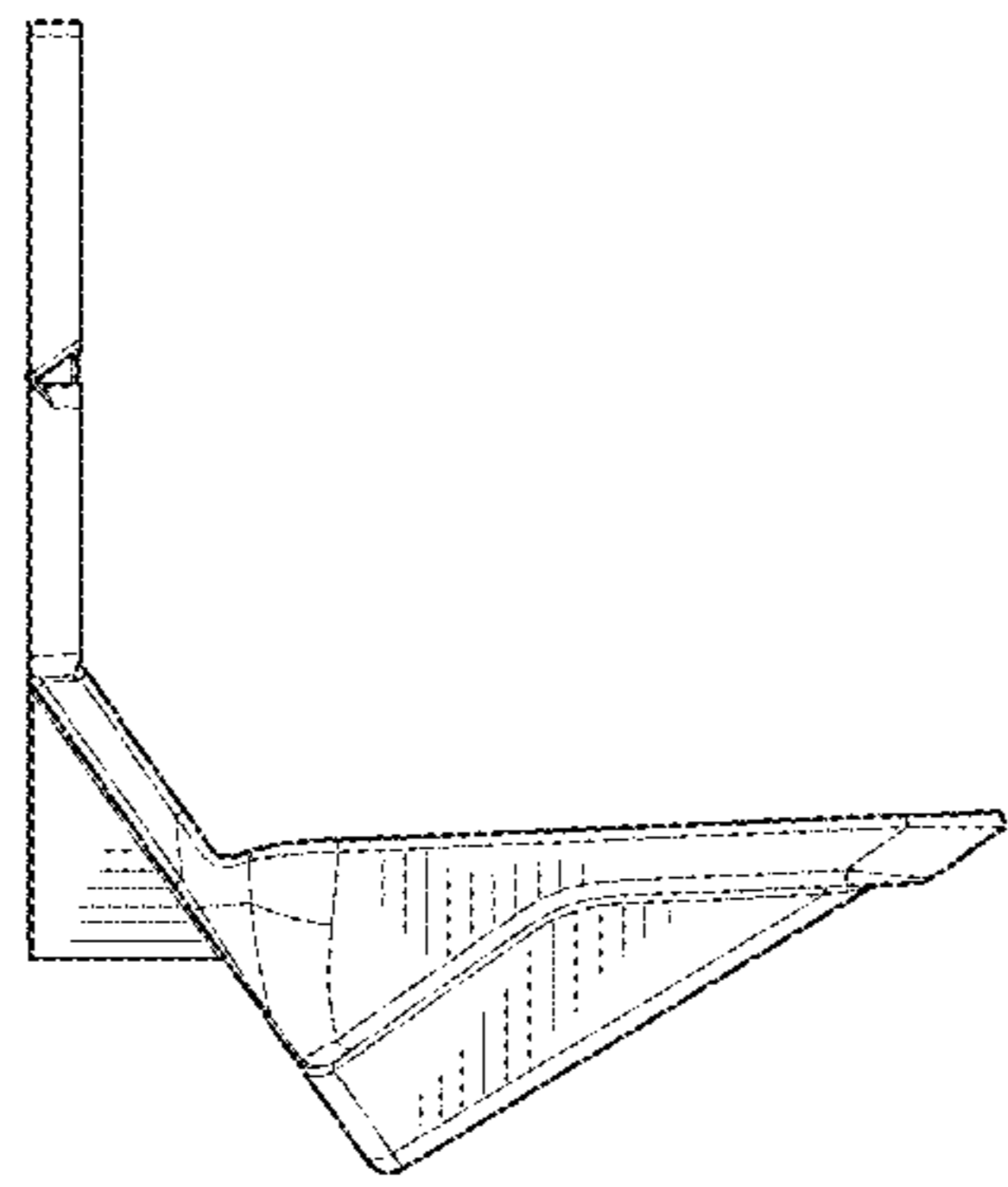


FIG. 6

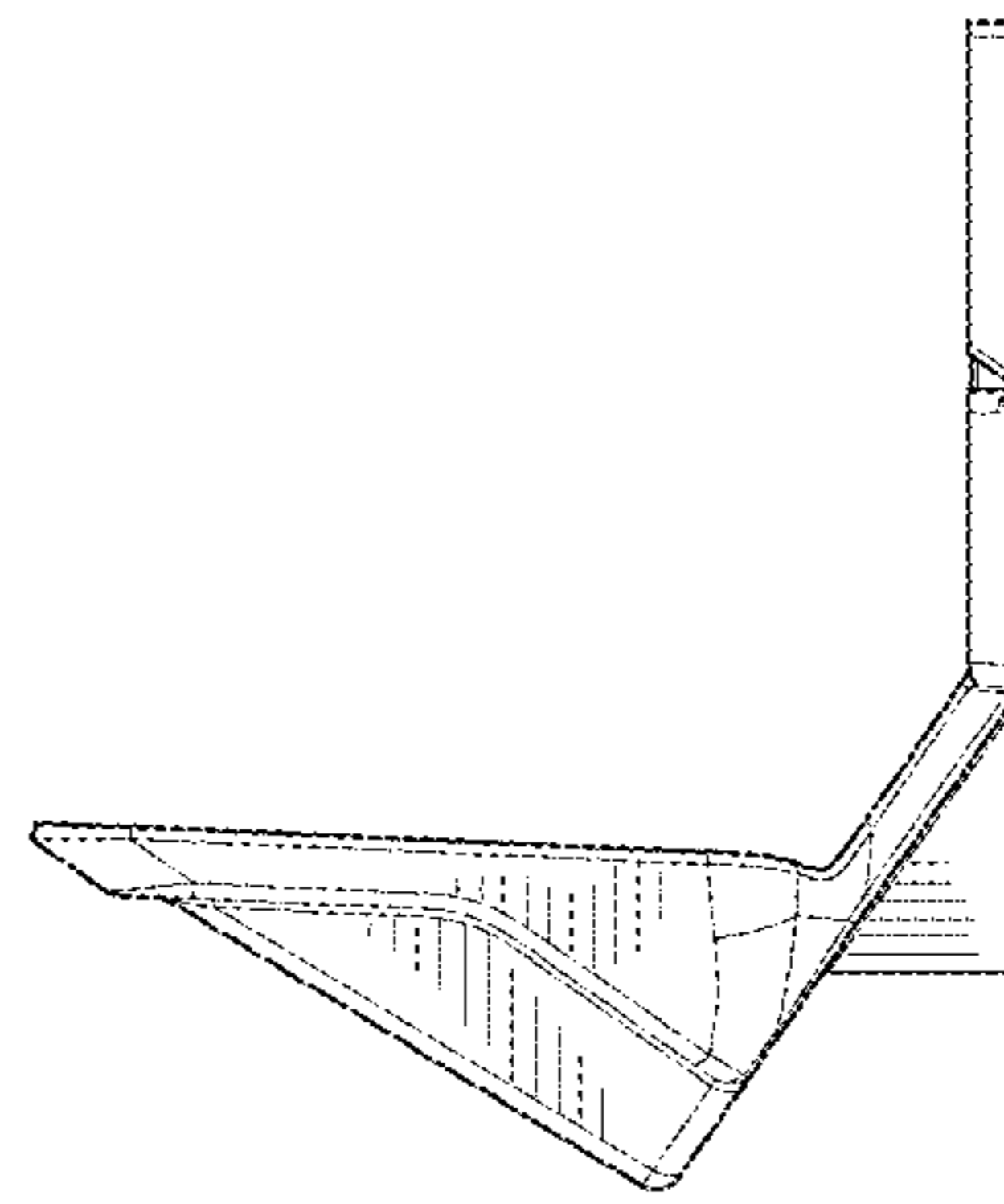


FIG. 7