

US00D896118S

(12) **United States Design Patent** (10) **Patent No.:** **US D896,118 S**
Fujiwara et al. (45) **Date of Patent:** **** Sep. 15, 2020**

(54) **FIRE DETECTOR**

(71) Applicant: **Hochiki Corporation**, Tokyo (JP)

(72) Inventors: **Yasuharu Fujiwara**, Tokyo (JP); **Isao Saeki**, Tokyo (JP)

(73) Assignee: **HOCHIKI CORPORATION**, Tokyo (JP)

(**) Term: **15 Years**

(21) Appl. No.: **35/507,413**

(22) Filed: **Mar. 4, 2019**

(80) **Hague Agreement Data**

Int. Filing Date: **Mar. 4, 2019**

Int. Reg. No.: **DM/201349**

Int. Reg. Date: **Mar. 4, 2019**

Int. Reg. Pub. Date: **Sep. 6, 2019**

(30) **Foreign Application Priority Data**

Sep. 13, 2018 (JP) 2018-019982

(51) **LOC (12) Cl.** **10-05**

(52) **U.S. Cl.**
USPC **D10/121**; D10/106.5

(58) **Field of Classification Search**
USPC D10/104.1, 104.2, 106.1-106.95, 108, D10/121, 123-126
CPC G08B 17/00; G08B 17/06; G08B 17/10; G08B 17/11; G08B 17/12; G08B 17/103; G08B 17/107; G08B 21/02; G08B 21/0202; G08B 21/0205

See application file for complete search history.

(56) **References Cited**

U.S. PATENT DOCUMENTS

D357,202 S *	4/1995	Ozawa	D10/106.5
D391,184 S *	2/1998	Kawabata	D10/106.5
D505,632 S *	5/2005	Johnson	D10/106.5
D665,290 S *	8/2012	Bhate	D10/106.6
D700,095 S *	2/2014	Dohi	D10/106.5
D775,980 S *	1/2017	Christianson	D10/70
D811,917 S *	3/2018	Kalyan	D10/106.5
D811,918 S *	3/2018	Kalyan	D10/106.5
D811,919 S *	3/2018	Kalyan	D10/106.5
D812,506 S *	3/2018	Kalyan	D10/106.5
D812,507 S *	3/2018	Kalyan	D10/106.5
D813,072 S *	3/2018	Kalyan	D10/106.5
D853,874 S *	7/2019	Pare	D10/106.5

* cited by examiner

Primary Examiner — George D. Kirschbaum

Assistant Examiner — Joseph J Kukella

(74) *Attorney, Agent, or Firm* — Andrew F. Young, Esq.;
Lackebach Siegel, LLP

(57) **CLAIM**

The ornamental design for fire detector, as shown and described.

DESCRIPTION

1. Fire detector

1.1 : Front

1.2 : Top

1.3 : Bottom

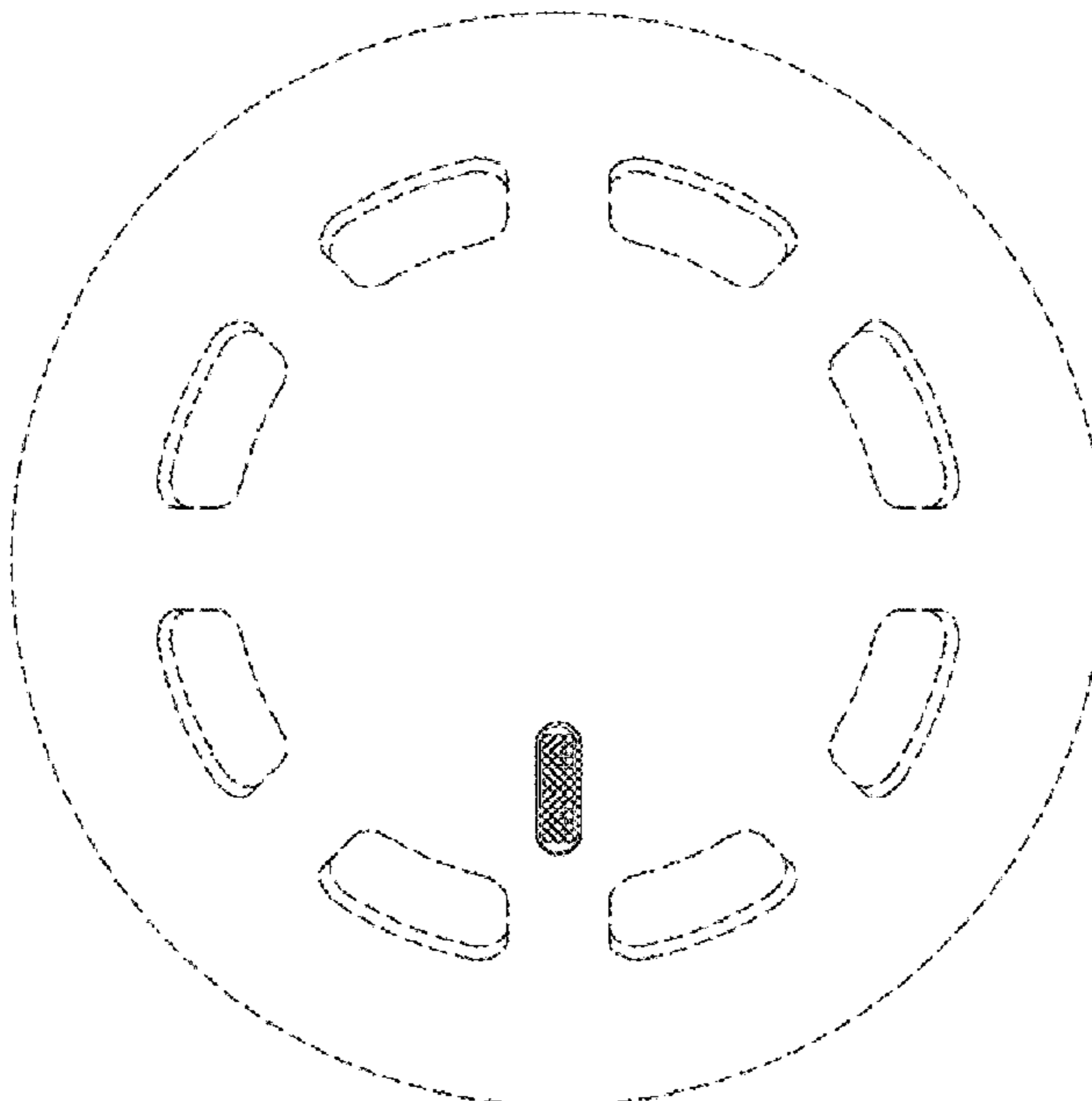
1.4 : Left

1.5 : Back

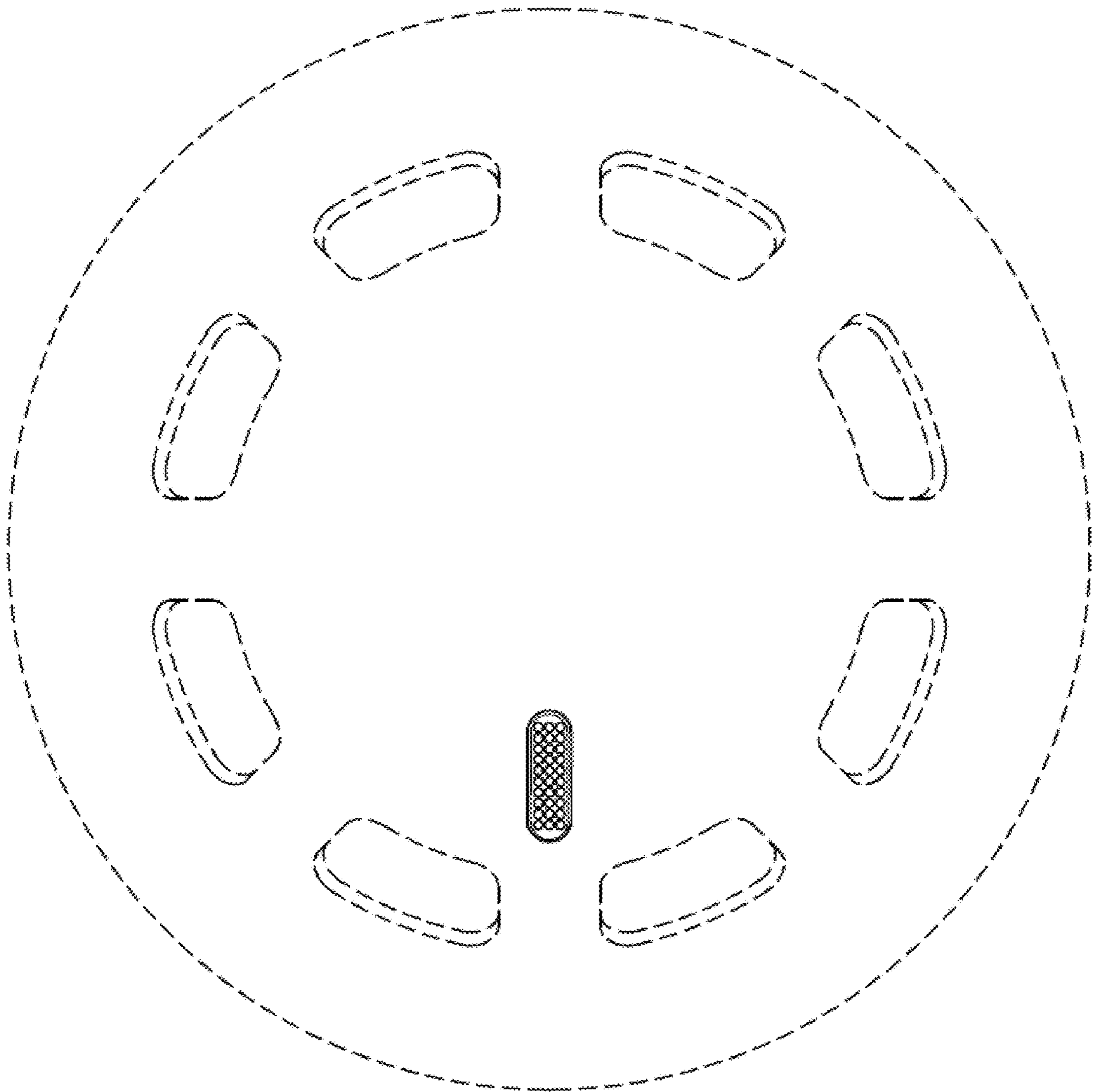
1.6 : Perspective

The present article is a fire detector detecting smoke being generated in case of fire; out of the reproduction of the design, protection will not be sought for the parts represented by the broken line.

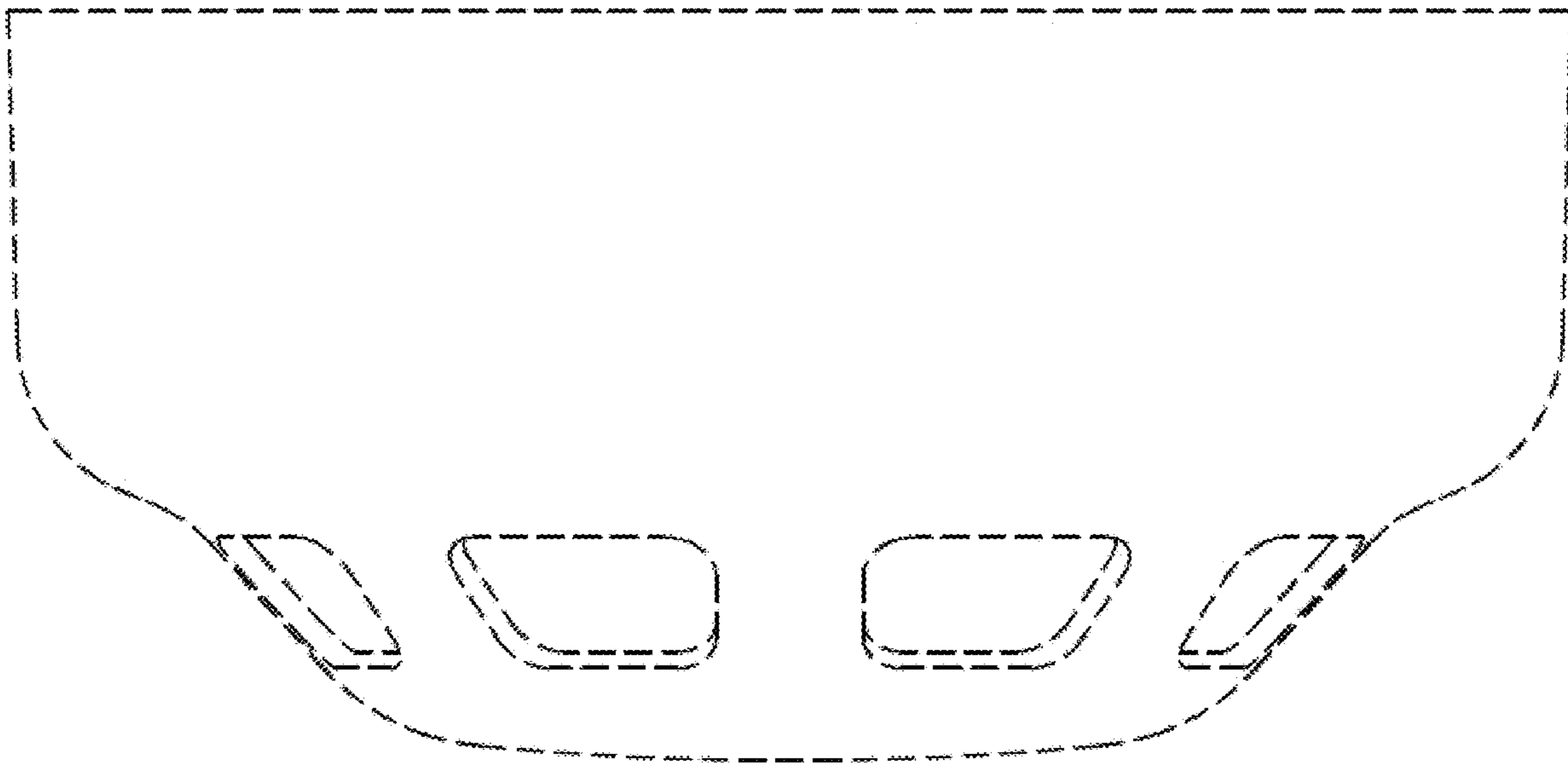
1 Claim, 6 Drawing Sheets



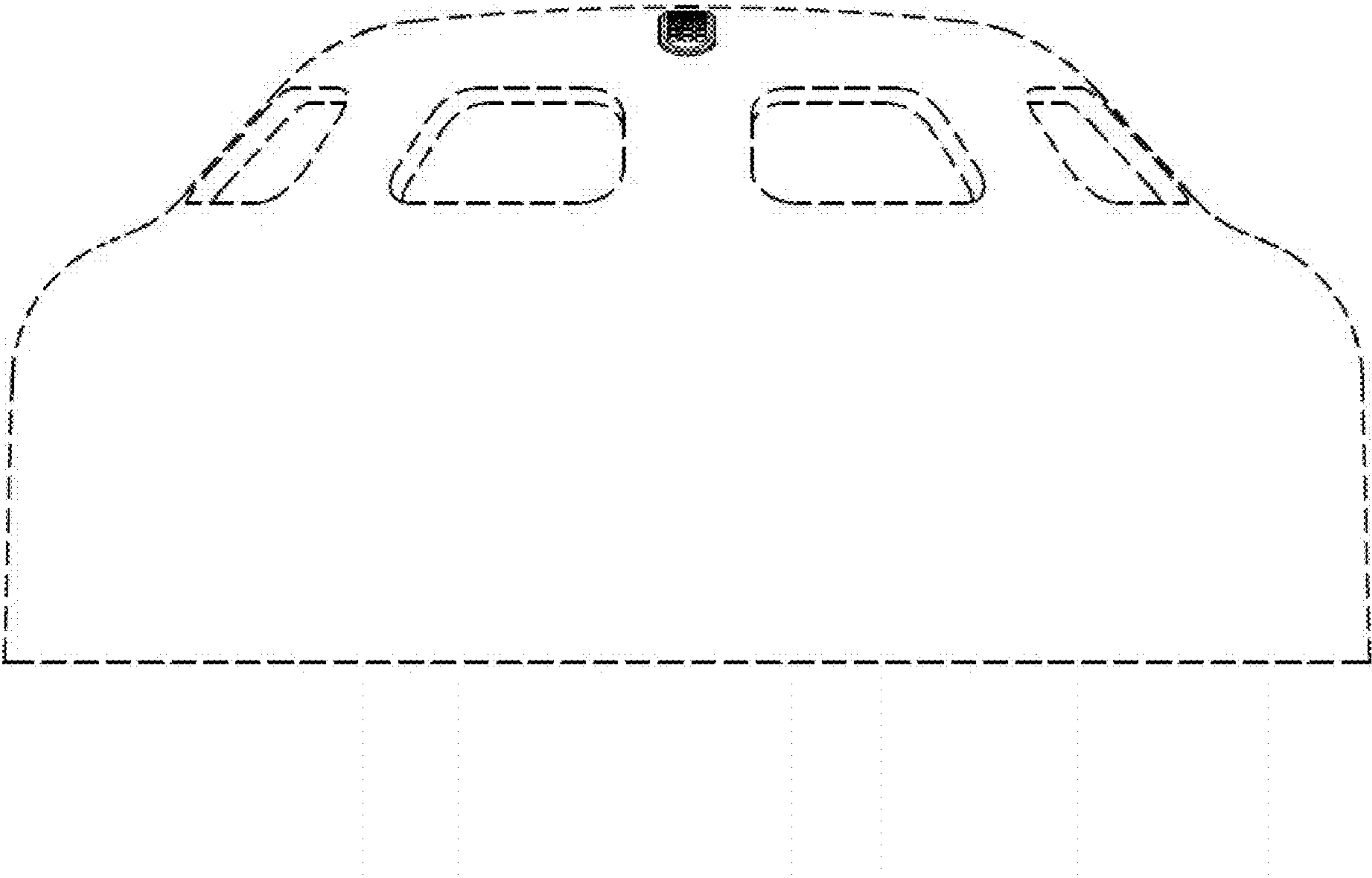
1.1



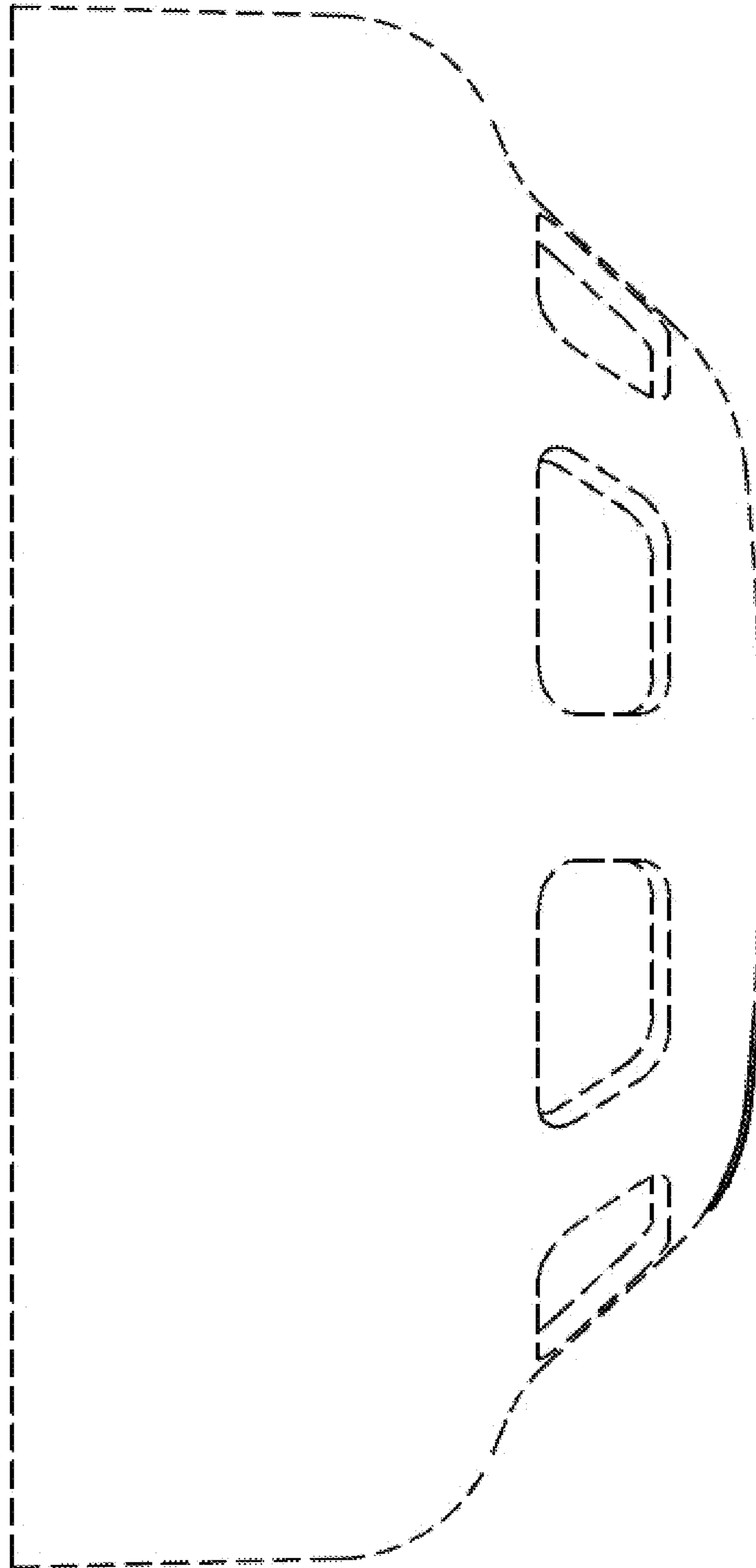
1.2



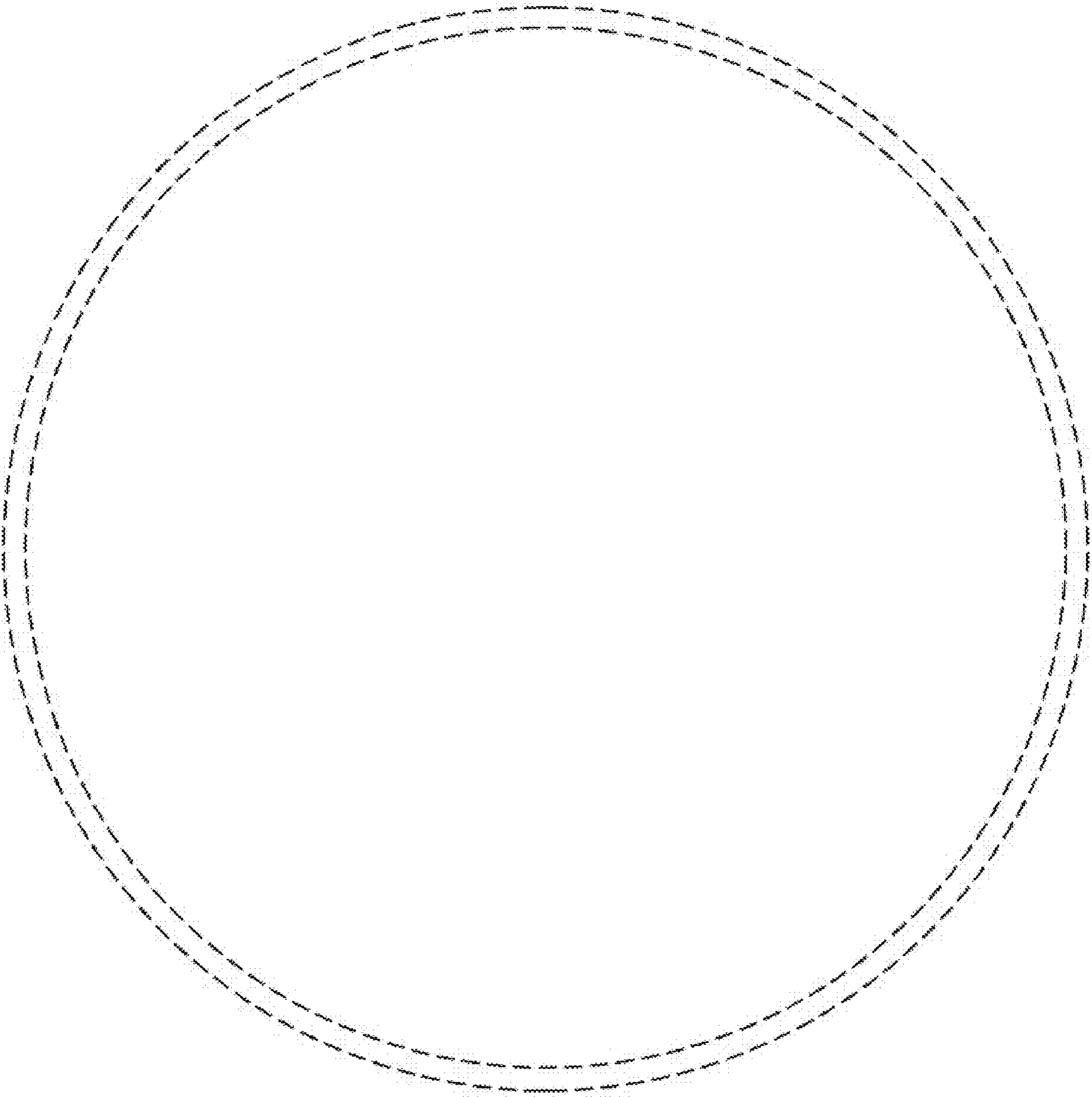
1.3



1.4



1.5



1.6

