



US00D896117S

(12) **United States Design Patent** (10) **Patent No.:** **US D896,117 S**
Nagel et al. (45) **Date of Patent:** **** Sep. 15, 2020**

- (54) **MERCHANDISE SECURITY TAG**
- (71) Applicant: **Fasteners for Retail, Inc.**, Twinsburg, OH (US)
- (72) Inventors: **Tom Nagel**, Twinsburg, OH (US); **Gabriel Garduno**, Twinsburg, OH (US); **Stephen Chan Chor Man**, Twinsburg, OH (US)
- (73) Assignee: **Fasteners for Retail, Inc.**, Twinsburg, OH (US)
- (**) Term: **15 Years**
- (21) Appl. No.: **29/683,670**
- (22) Filed: **Mar. 14, 2019**
- (51) **LOC (12) Cl.** **10-05**
- (52) **U.S. Cl.**
USPC **D10/106.91**
- (58) **Field of Classification Search**
USPC D10/106.91, 104.1; D14/420
CPC G01V 15/00
See application file for complete search history.

- (56) **References Cited**
U.S. PATENT DOCUMENTS
D698,685 S * 2/2014 Sayegh D10/106.91
D708,977 S * 7/2014 Corso D10/104.1
D821,401 S * 6/2018 Siebels D14/420

2010/0259392 A1* 10/2010 Chamandy G01V 15/00
340/572.8

* cited by examiner

Primary Examiner — George D. Kirschbaum
(74) *Attorney, Agent, or Firm* — Honigman LLP

(57) **CLAIM**

We claim the ornamental design for a merchandise security tag, as shown and described.

DESCRIPTION

FIG. 1 is a front perspective view of a merchandise security tag showing our new design;
FIG. 2 is a rear perspective view thereof;
FIG. 3 is a front view thereof
FIG. 4 is a rear view thereof;
FIG. 5 is a right side view thereof, the left side being a mirror image thereto; and,
FIG. 6 is a top view thereof.
The broken lines in the drawing views show portions of the merchandise security tag that form no part of the claimed design.

1 Claim, 4 Drawing Sheets

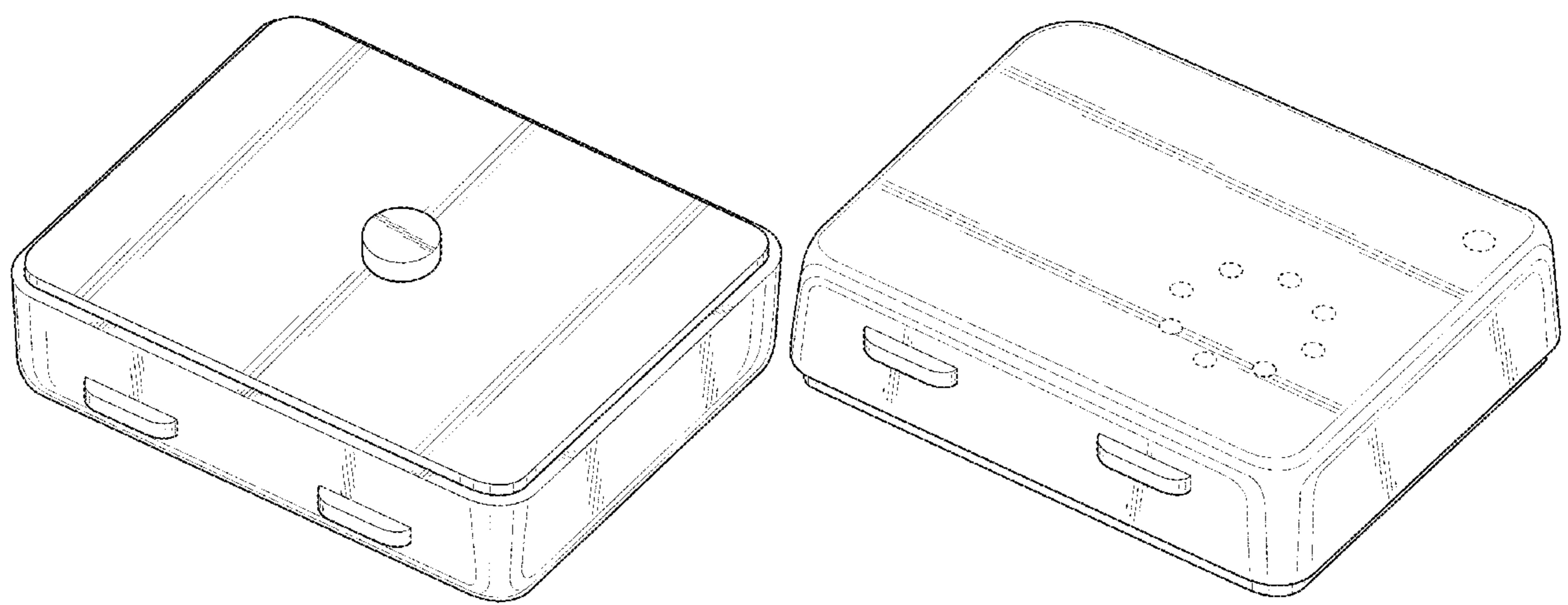


FIG. 1

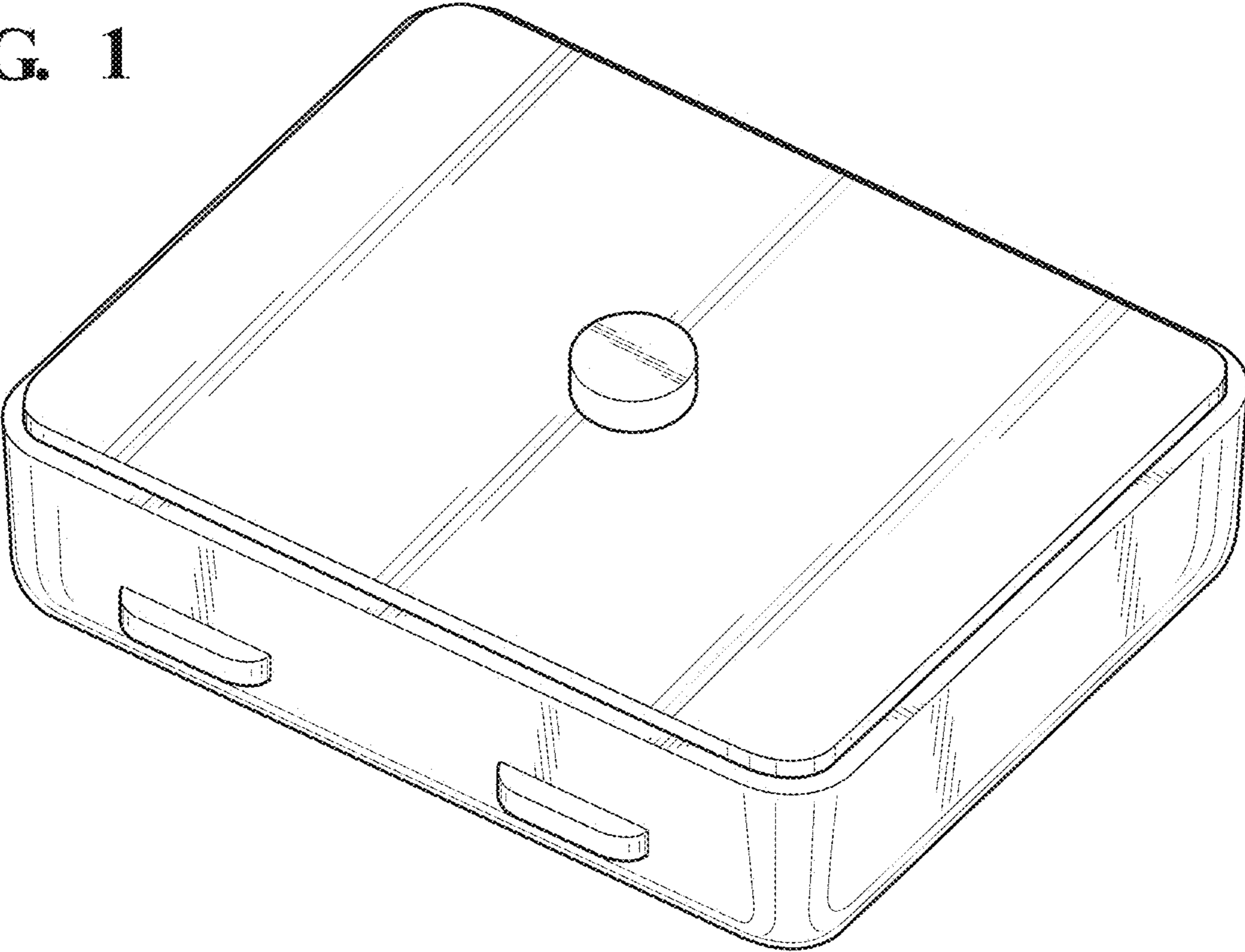
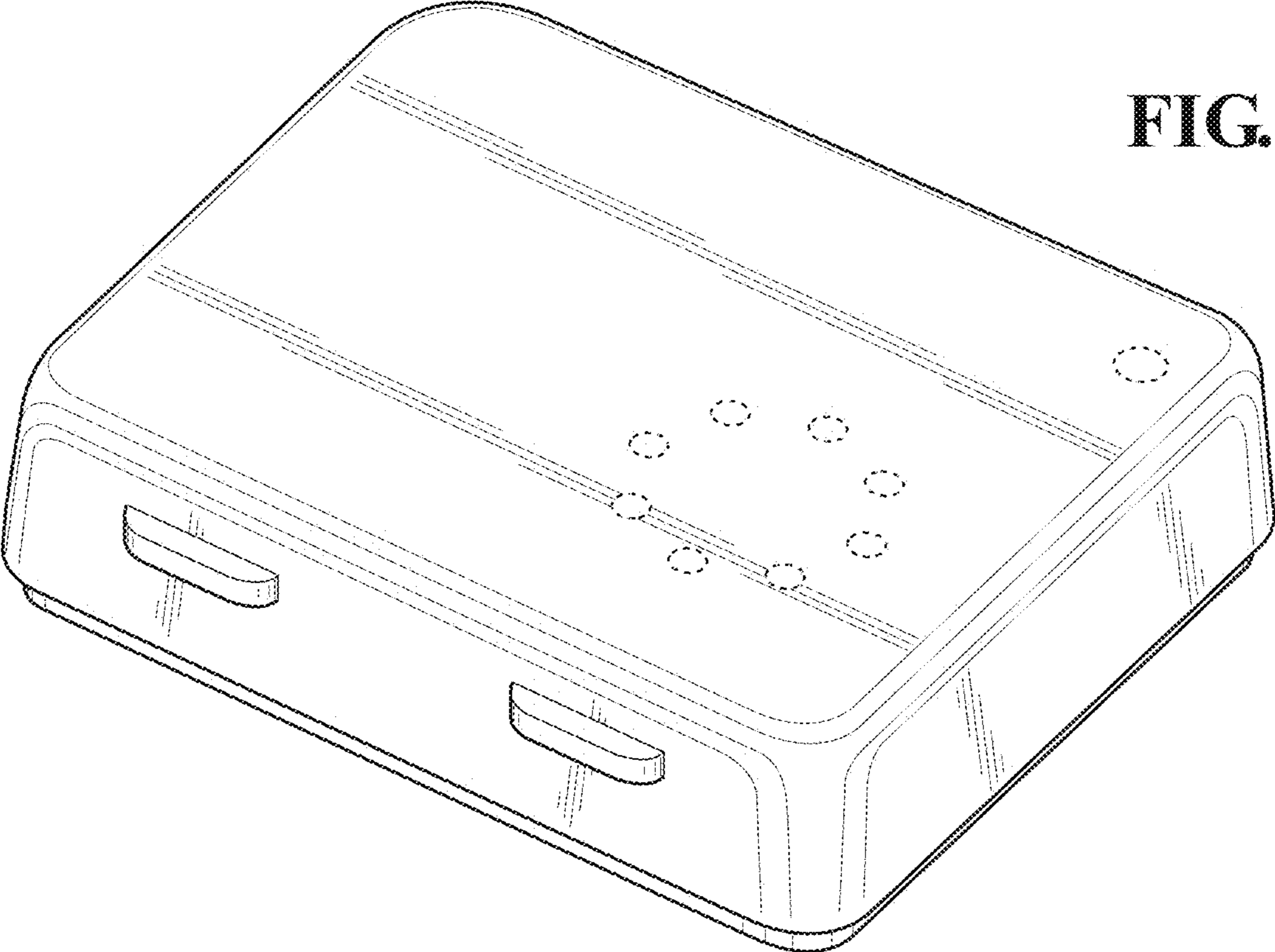


FIG. 2



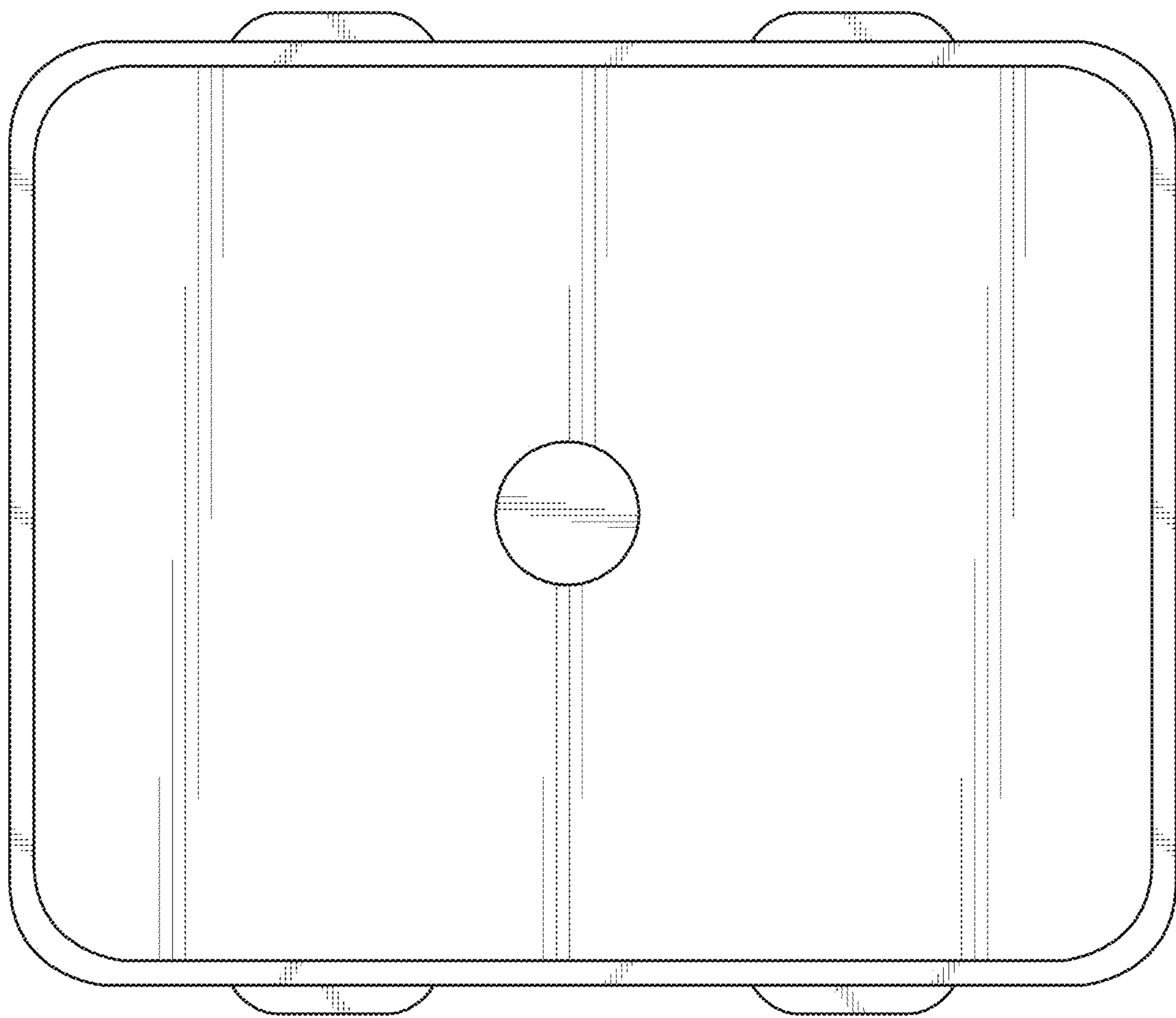


FIG. 3

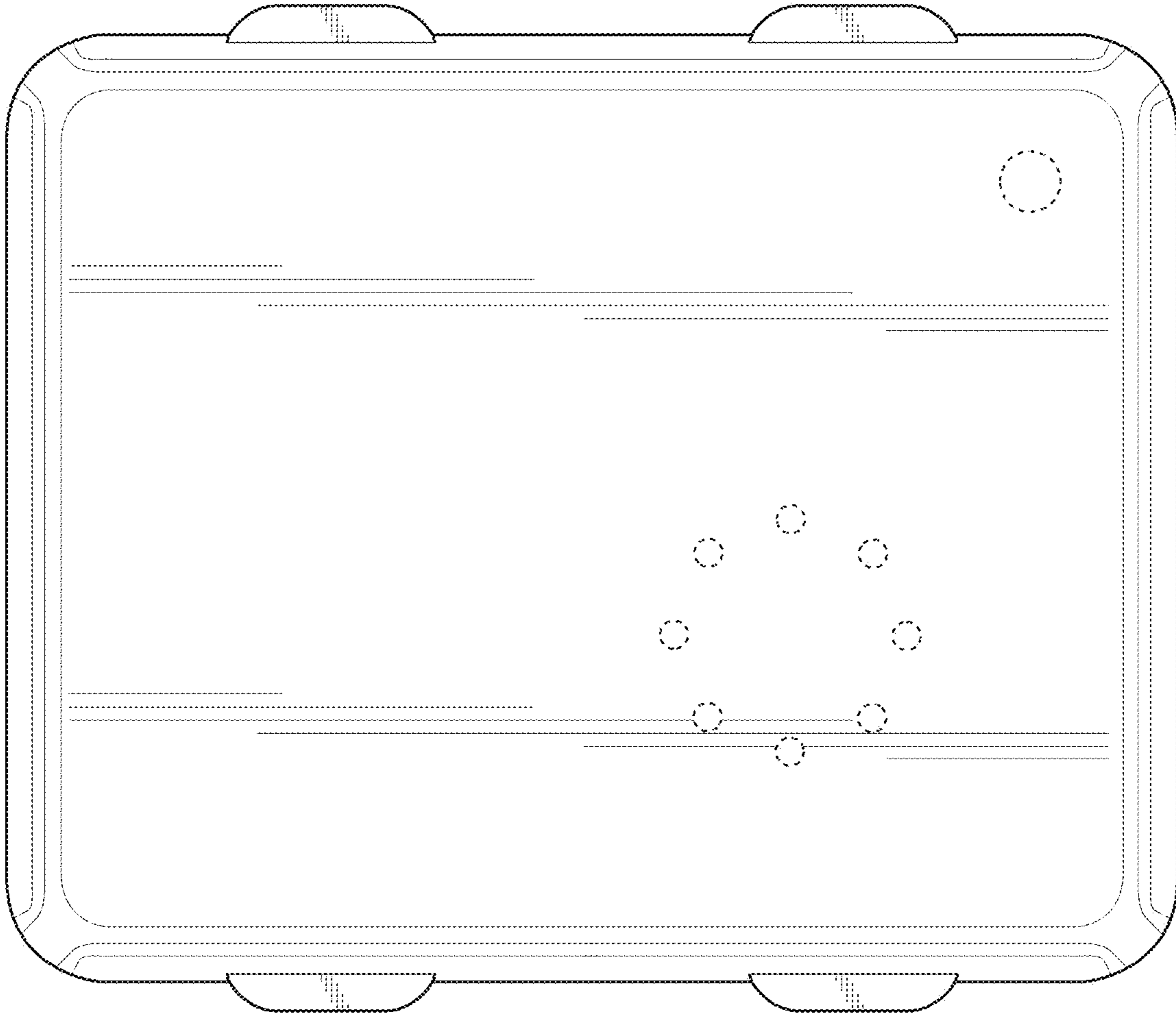


FIG. 4

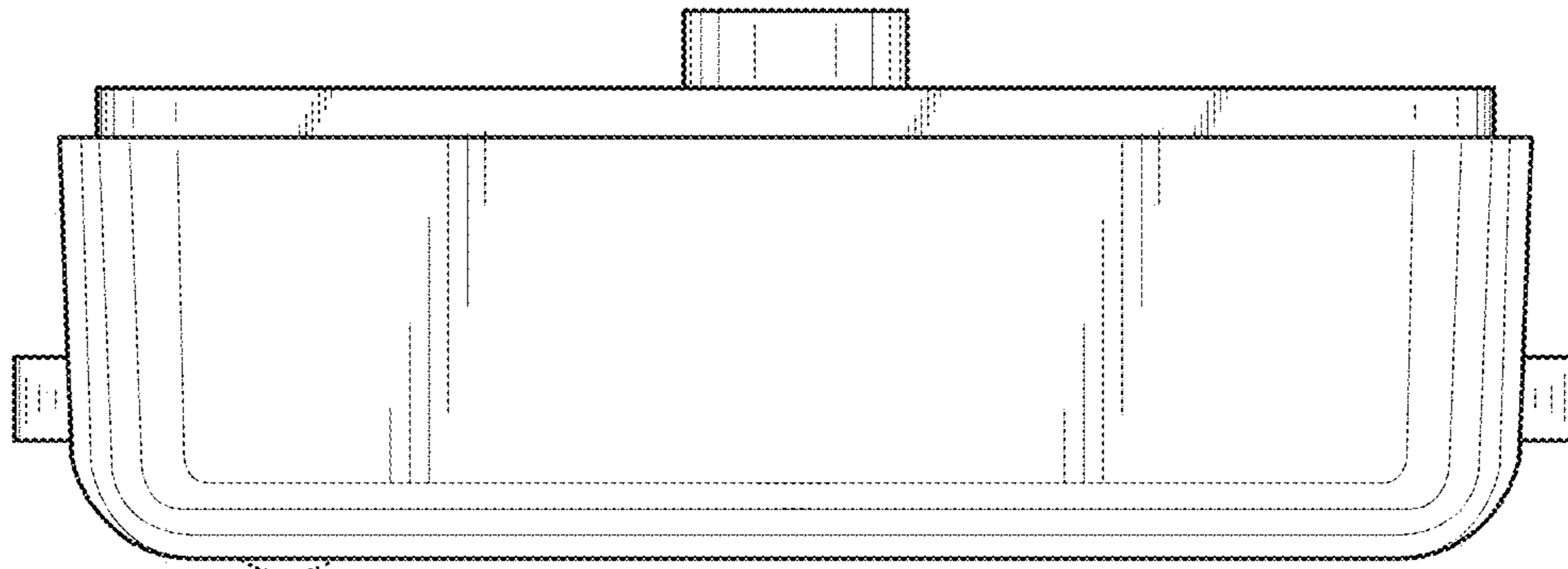


FIG. 5

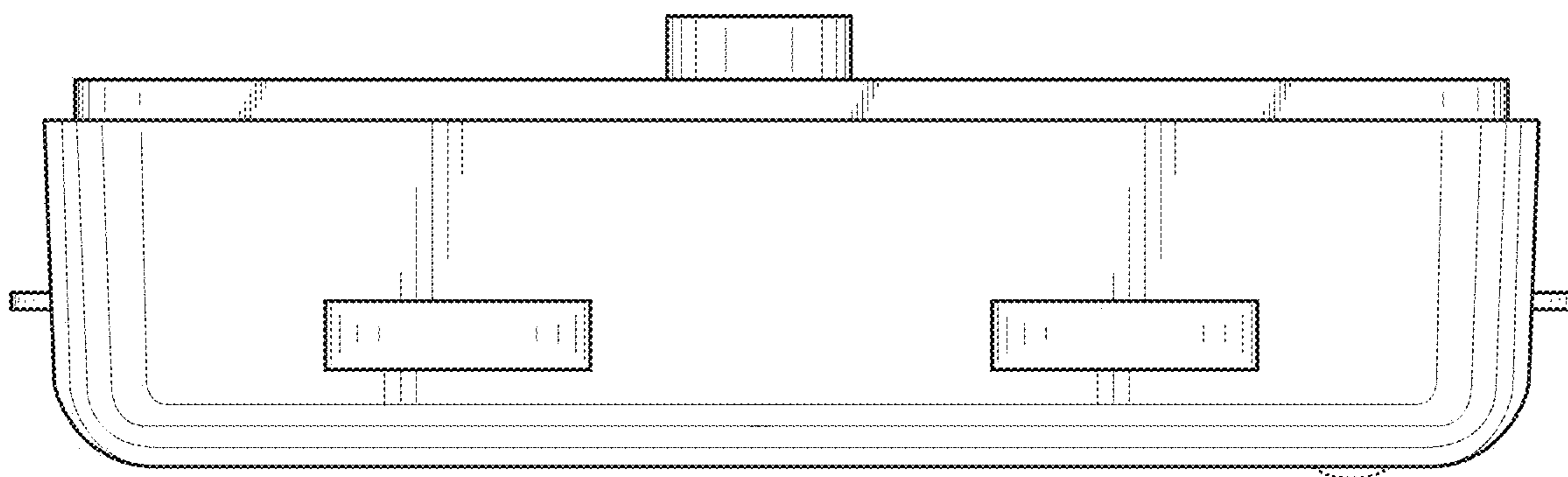


FIG. 6