



US00D896116S

(12) **United States Design Patent** (10) **Patent No.:** **US D896,116 S**
Brainard et al. (45) **Date of Patent:** **** Sep. 15, 2020**

- (54) **ALARM HOUSING**
- (71) Applicant: **Honeywell International Inc.**, Morris Plains, NJ (US)
- (72) Inventors: **Robert J. Brainard**, Elgin, IL (US); **Rebecca J. Peterson**, Sycamore, IL (US)
- (73) Assignee: **Honeywell International Inc.**, Morris Plains, NJ (US)
- (**) Term: **15 Years**
- (21) Appl. No.: **29/695,339**
- (22) Filed: **Jun. 18, 2019**

Related U.S. Application Data

- (62) Division of application No. 29/581,464, filed on Oct. 19, 2016, now Pat. No. Des. 851,529.
- (51) **LOC (12) Cl.** **10-05**
- (52) **U.S. Cl.**
USPC **D10/106.5**
- (58) **Field of Classification Search**
USPC D10/52-56, 104.1, 104.2, 106.1-106.95,
D10/108, 121, 123, 124, 125
CPC G08B 17/00; G08B 17/06; G08B 17/10;
G08B 17/11; G08B 17/12; G08B 17/103;
G08B 17/107; G08B 21/0438; G08B
21/0461; G08B 21/0469; G08B 21/0492
See application file for complete search history.

(56) **References Cited**

U.S. PATENT DOCUMENTS

5,333,418 A	8/1994	Chambers	
6,057,778 A	5/2000	Davidson	
D487,405 S *	3/2004	Job	D10/106.5
D494,633 S	8/2004	Nussberger et al.	
D645,071 S	9/2011	Hinkel	
D678,097 S	3/2013	Elwell et al.	

D719,994 S	12/2014	Wang et al.	
D757,584 S	5/2016	Pusey et al.	
D766,749 S	9/2016	Fadell et al.	
D773,332 S	12/2016	Kalyan et al.	
D786,110 S	5/2017	Kucala et al.	
D786,111 S	5/2017	Peterson	
D786,725 S	5/2017	McCormick et al.	
D851,529 S *	6/2019	Brainard	D10/106.5
D853,263 S *	7/2019	Mochida	D10/106.5
D860,843 S *	9/2019	Mochida	D10/106.5
2008/0272922 A1	11/2008	Spellman	

OTHER PUBLICATIONS

Hearing Impaired Smart Strobe Light, First Alert Store, 2016, <https://www.firstalertstore.com/store/products/sl177-hearing-impaired-smart-strobe-light.htm>.

* cited by examiner

Primary Examiner — George D. Kirschbaum
Assistant Examiner — Joseph J Kukella
(74) *Attorney, Agent, or Firm* — Brooks, Cameron & Huebsch, PLLC

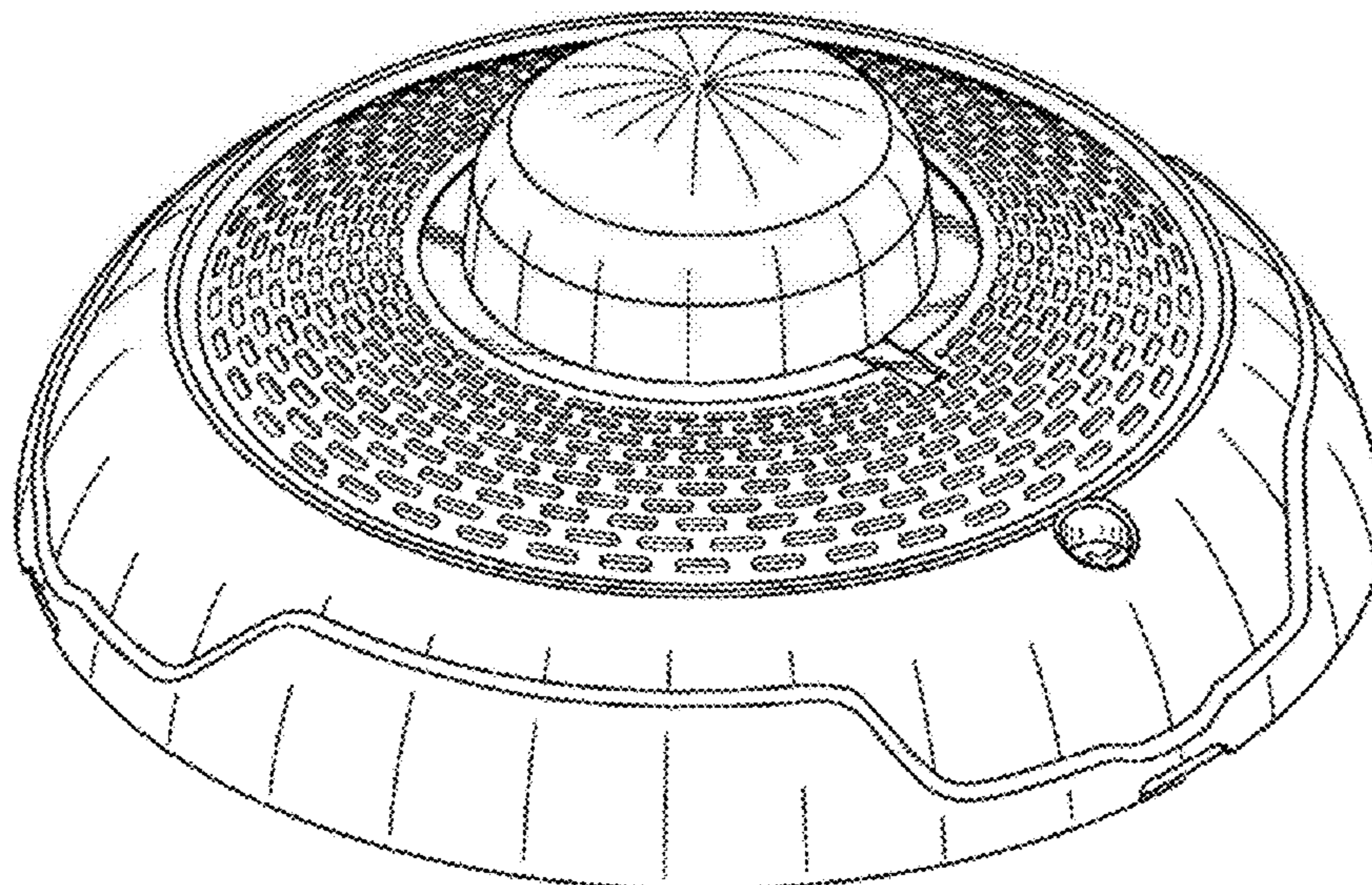
(57) **CLAIM**

The ornamental design for an alarm housing, as shown and described.

DESCRIPTION

FIG. 1 is a perspective view of an alarm housing in accordance with the present disclosure.
FIG. 2 is a front elevation view thereof.
FIG. 3 is a left side elevation view thereof.
FIG. 4 is a right side elevation view thereof.
FIG. 5 is a top plan view thereof.
FIG. 6 is a bottom plan view thereof; and,
FIG. 7 is a rear elevation view thereof.
The broken lines shown in FIGS. 1-7 depict portions of the alarm housing that form no part of the claimed design.

1 Claim, 7 Drawing Sheets



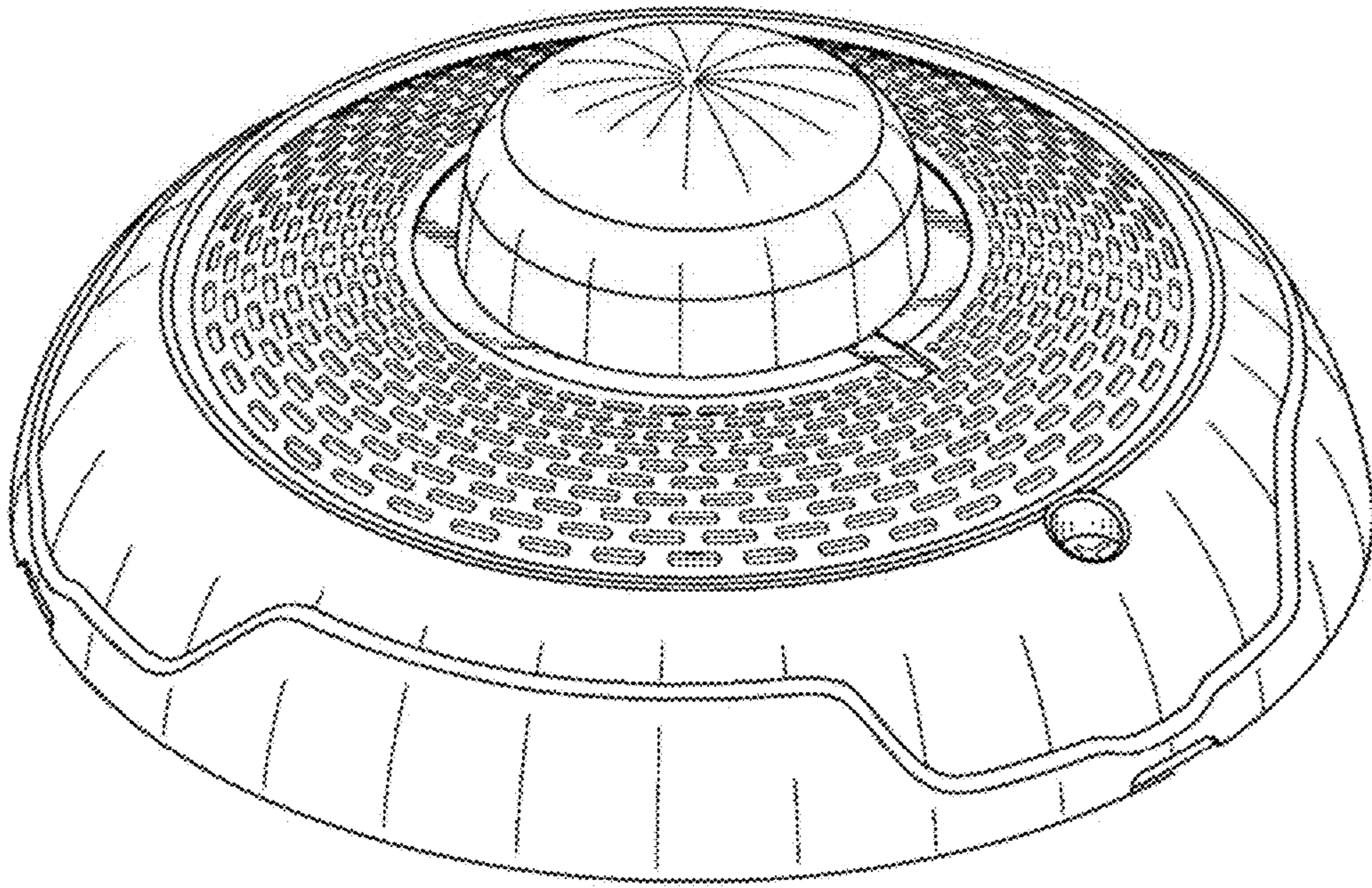


FIG. 1

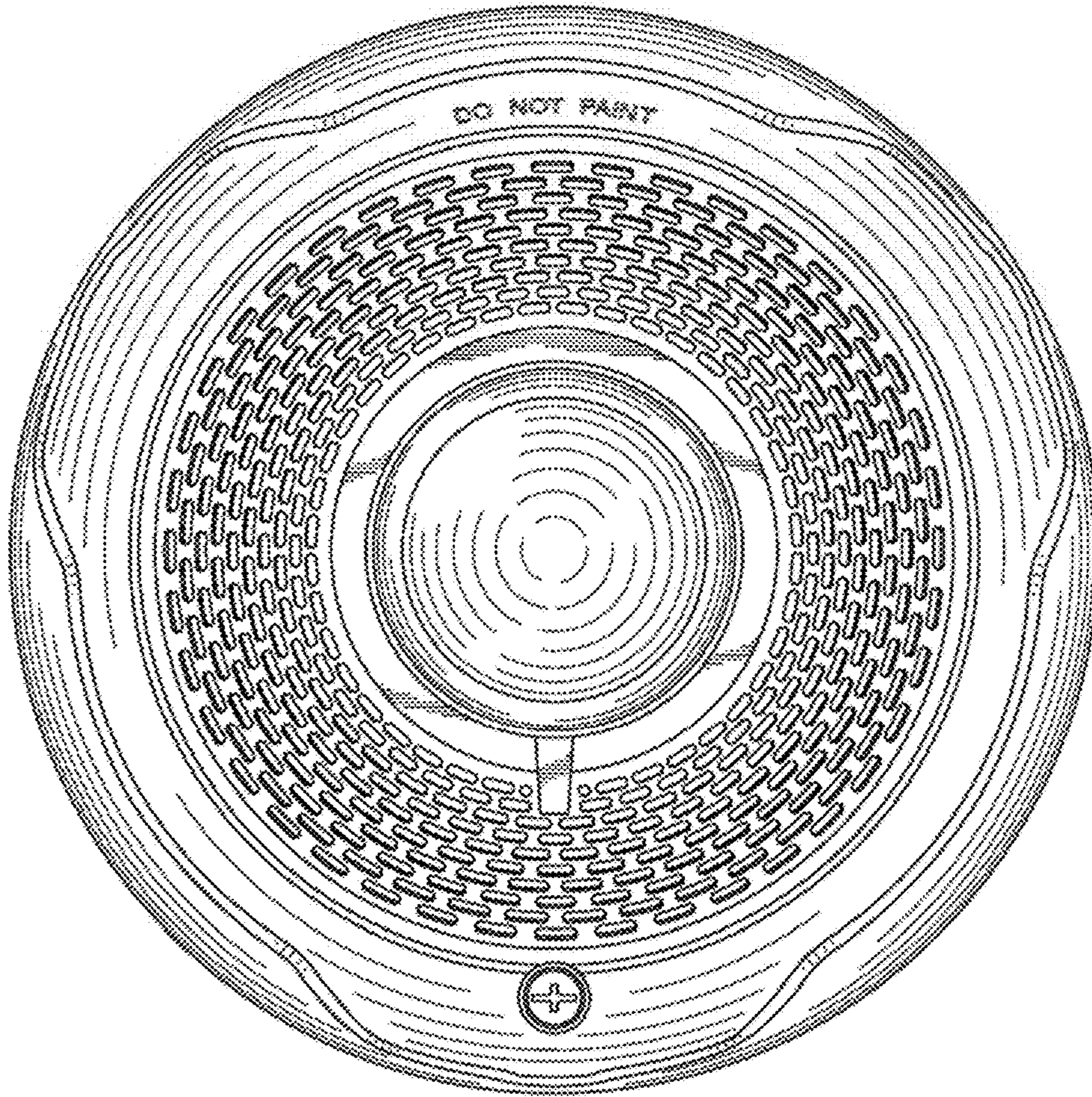


FIG. 2

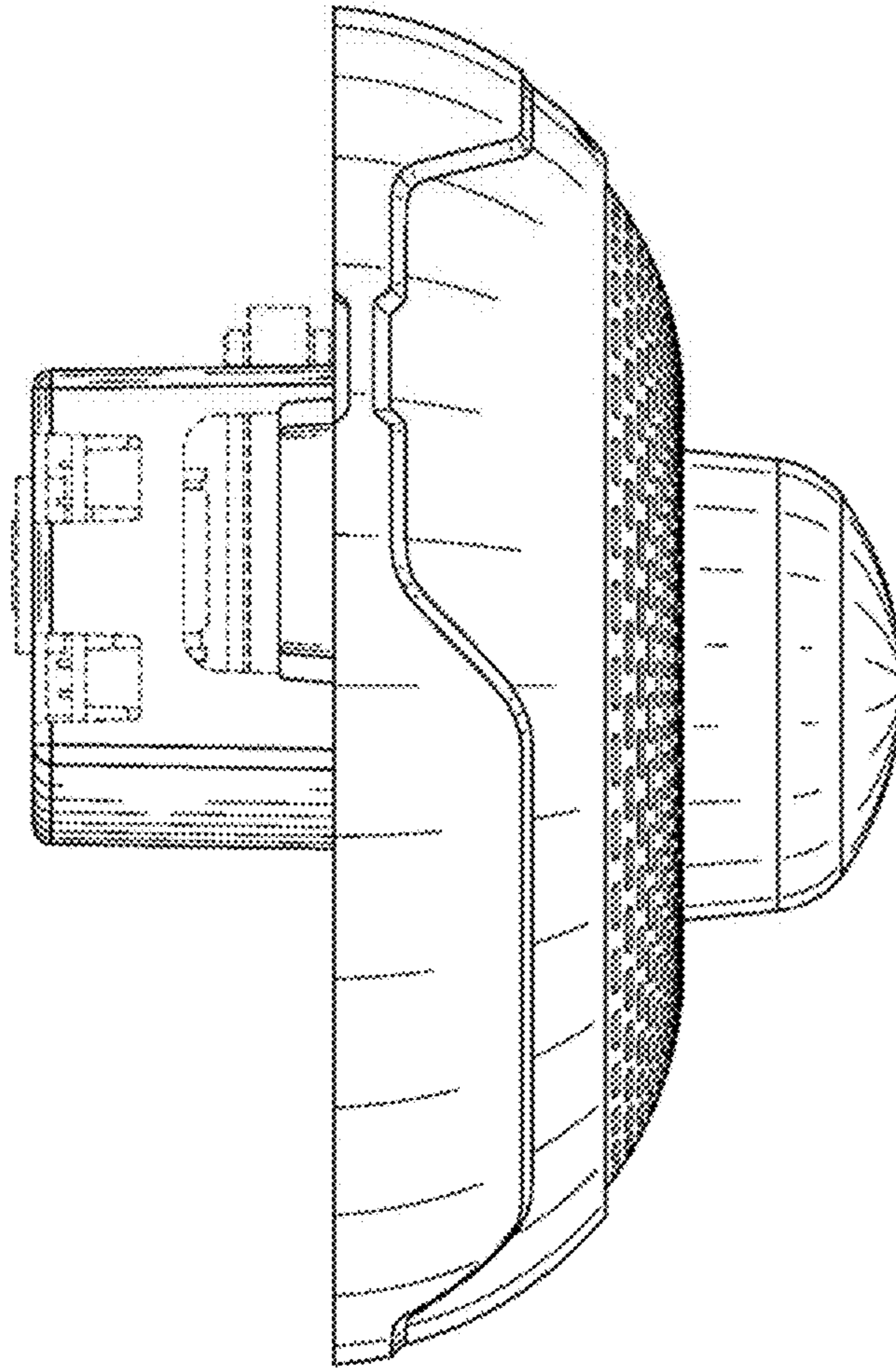


FIG. 3

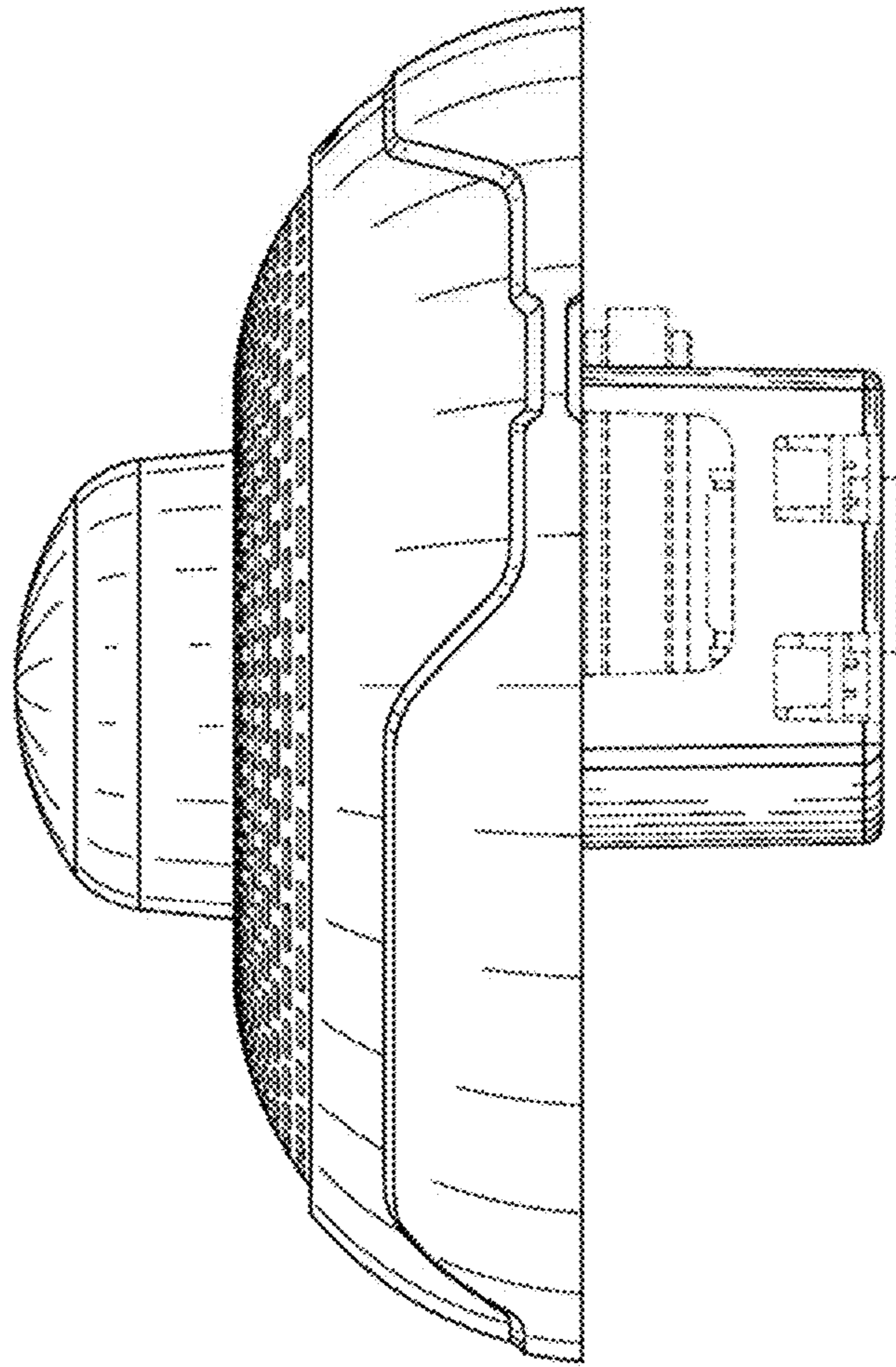


FIG. 4

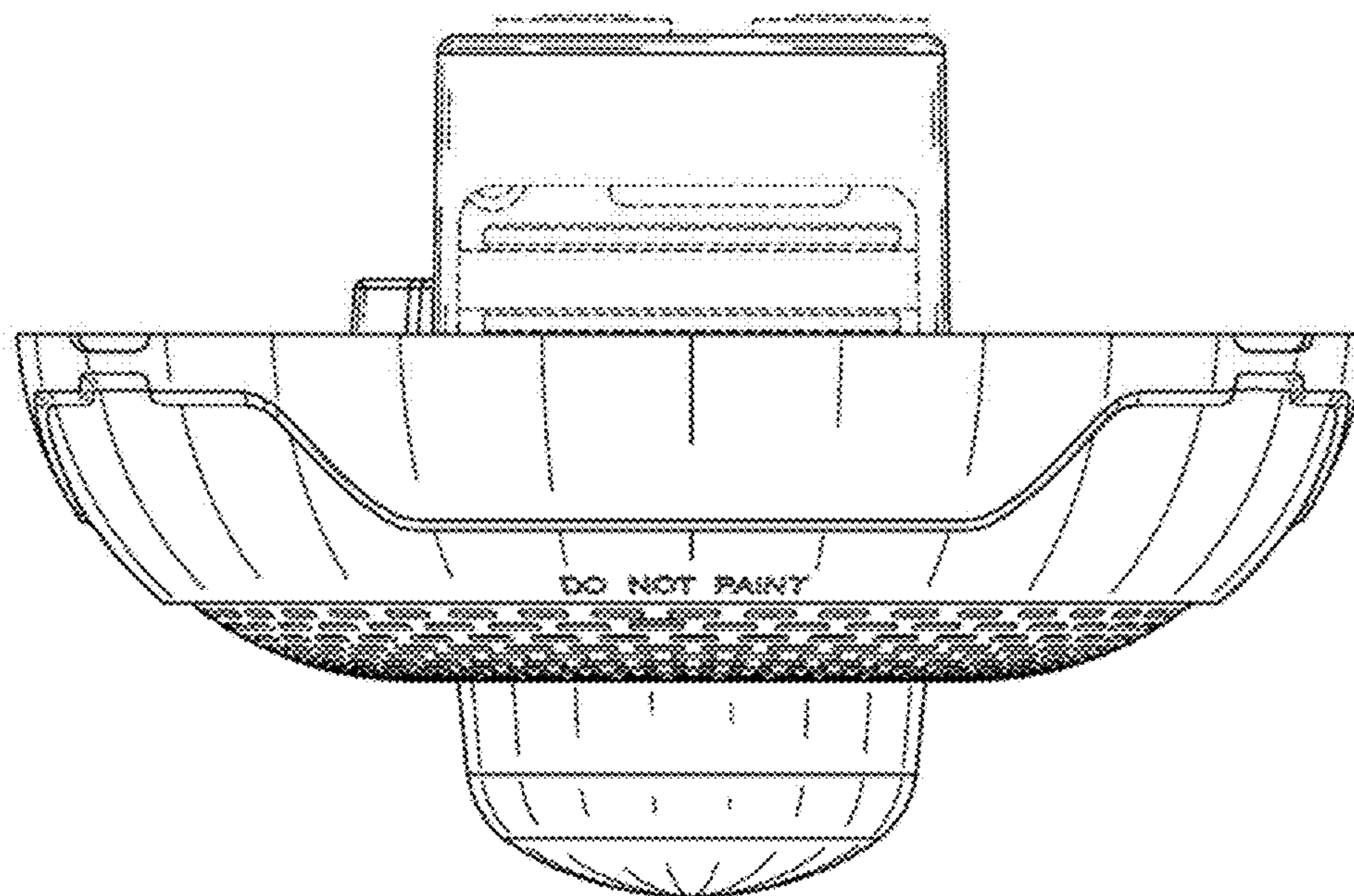


FIG. 5

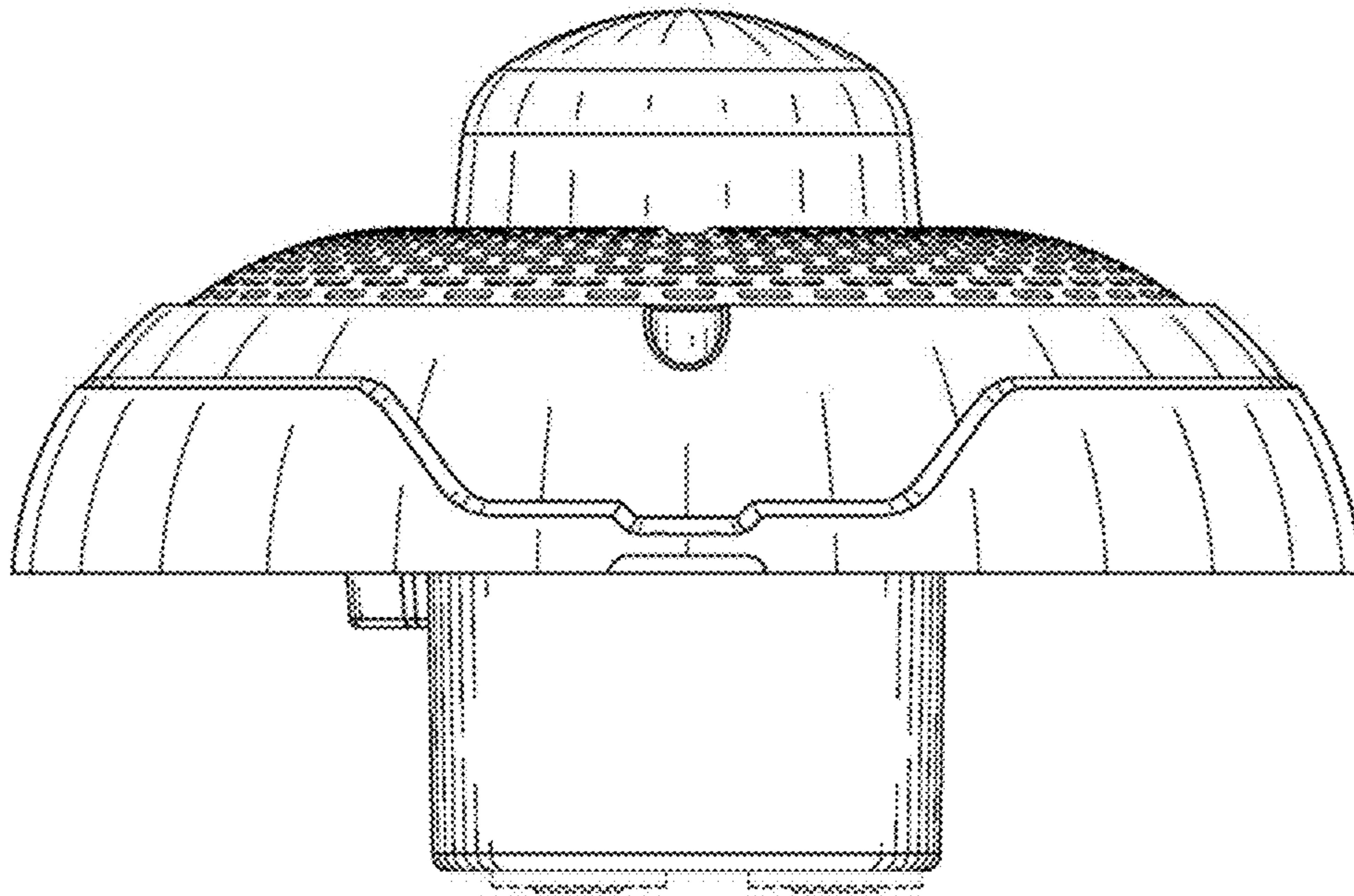


FIG. 6

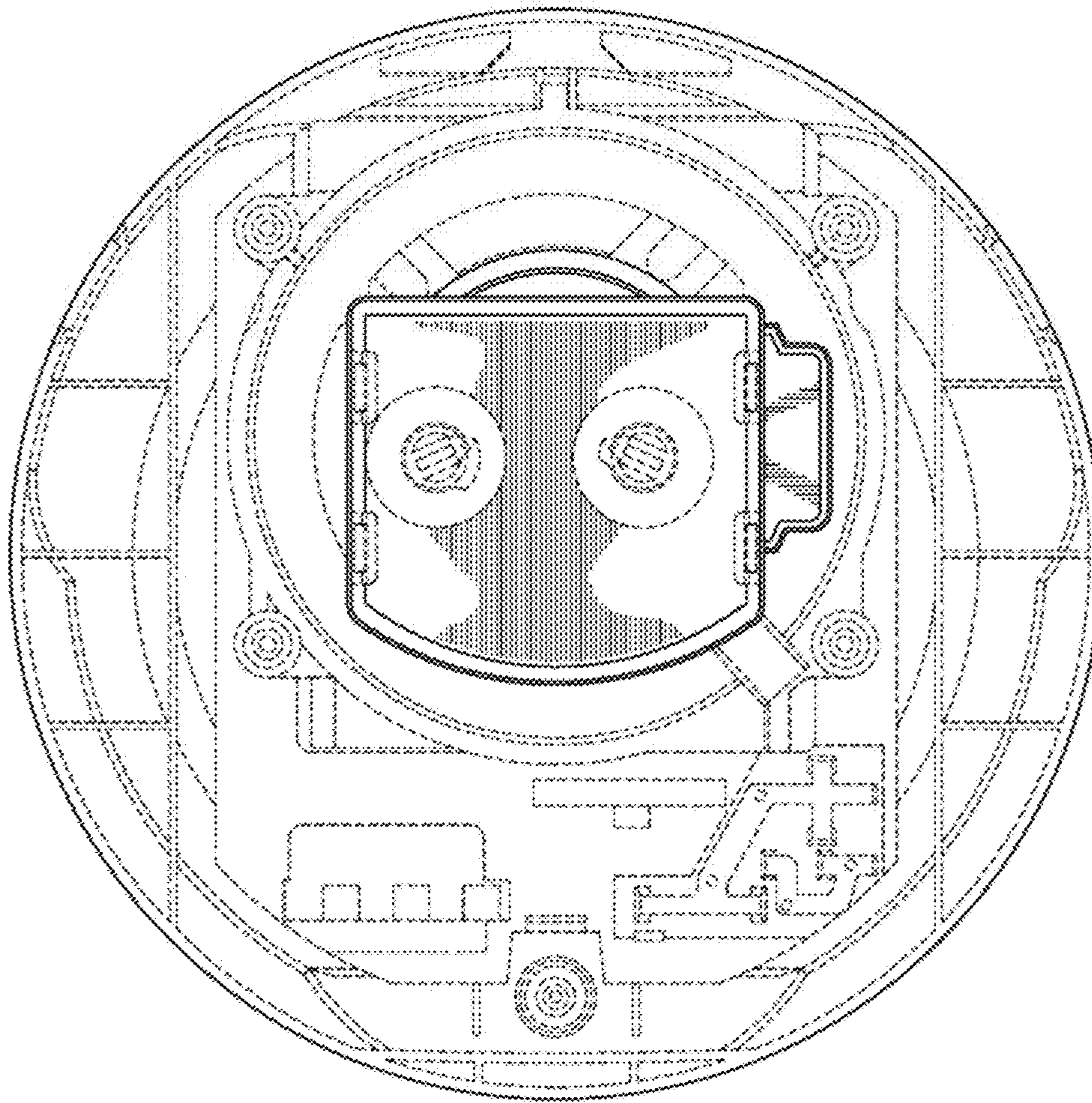


FIG. 7