



US00D896114S

(12) **United States Design Patent** (10) **Patent No.:** **US D896,114 S**
Chapman et al. (45) **Date of Patent:** **** Sep. 15, 2020**

(54) **SENSOR HOUSING**
(71) Applicant: **Topcon Positioning Systems, Inc.**,
Livermore, CA (US)
(72) Inventors: **Angus Chapman**, Brisbane (AU);
Reilly Edwards, Brisbane (AU)
(73) Assignee: **Topcon Positioning Systems, Inc.**,
Livermore, CA (US)

D757,520 S 5/2016 Pratt
9,354,158 B1 5/2016 Van Dijk et al.
D766,069 S 9/2016 Miller
D767,218 S 9/2016 Hickling
D779,921 S 2/2017 Del Rossa
D779,922 S 2/2017 Del Rossa
D803,908 S 11/2017 Yamaguchi et al.
(Continued)

(**) Term: **15 Years**

FOREIGN PATENT DOCUMENTS

EP 0014251 A1 8/1980
EP 2840559 A1 2/2015
EP 3270117 A1 1/2018

(21) Appl. No.: **29/675,186**

(22) Filed: **Dec. 28, 2018**

(51) **LOC (12) Cl.** **10-04**

(52) **U.S. Cl.**
USPC **D10/103**; D15/28; D15/138

(58) **Field of Classification Search**
USPC D10/46, 103; D15/28, 138
CPC F16M 13/02; G01C 15/04; G01D 11/30;
G01S 19/36; H01F 7/06

See application file for complete search history.

OTHER PUBLICATIONS

Notice of Allowance (PTOL-85) dated Feb. 5, 2020, in connection with U.S. Appl. No. 29/675,183, filed Dec. 28, 2018, 9 pgs.

(Continued)

Primary Examiner — Antoine Duval Davis
(74) *Attorney, Agent, or Firm* — Chiesa Shahinian & Giantomasi PC

(56) **References Cited**

U.S. PATENT DOCUMENTS

4,315,594 A 2/1982 Niederöst
D316,713 S 5/1991 Sun
D363,930 S 11/1995 Bailey et al.
6,598,835 B2 7/2003 Minnick
7,114,388 B1 10/2006 French et al.
D594,399 S 6/2009 Johnson
D598,480 S 8/2009 Kanemitsu
D623,500 S 9/2010 Langner et al.
D661,980 S 6/2012 Rocquet
D673,029 S 12/2012 Apesteguia et al.
D695,591 S 12/2013 Ackerman et al.
D716,640 S 11/2014 Martinson
D732,926 S 6/2015 Booth et al.
D744,316 S 12/2015 Nook et al.
D745,369 S 12/2015 Tungesvick
D755,705 S 5/2016 Shin

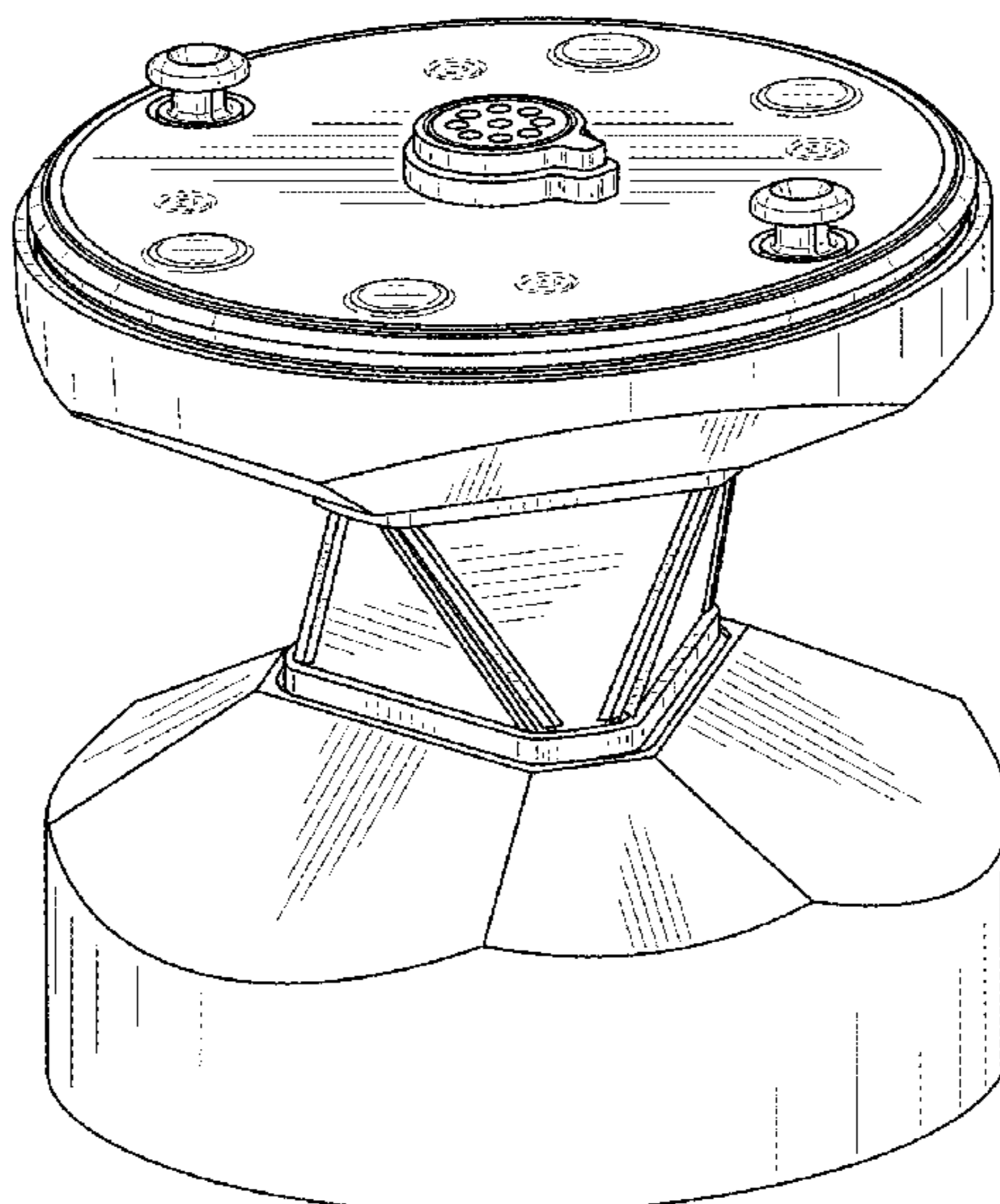
(57) **CLAIM**

The ornamental design for a sensor housing, as shown and described.

DESCRIPTION

FIG. 1 is a front perspective view of a sensor housing according to our design;
FIG. 2 is a front view thereof;
FIG. 3 is a rear view thereof;
FIG. 4 is a left side view thereof;
FIG. 5 is a right side view thereof;
FIG. 6 is a top view thereof; and,
FIG. 7 is a bottom view thereof.
The broken lines shown in the drawings depict environment that forms no part of the claimed design.

1 Claim, 4 Drawing Sheets



(56)

References Cited

U.S. PATENT DOCUMENTS

D822,081	S	7/2018	Yamaguchi et al.	
D831,467	S	10/2018	Crichton et al.	
D834,922	S	12/2018	Russo	
D838,581	S	1/2019	Huang et al.	
D859,968	S	9/2019	West	
D860,765	S	9/2019	Tsay	
D863,936	S	10/2019	Pratt et al.	
D871,894	S	1/2020	Brett	
2003/0056868	A1	3/2003	Gentry	
2003/0137658	A1*	7/2003	Ohtomo	G01C 15/004 356/141.4
2016/0180999	A1	6/2016	Rattner et al.	
2018/0017414	A1	1/2018	Binder et al.	

OTHER PUBLICATIONS

Notice of Allowance (PTOL-85) dated Feb. 6, 2020, in connection with U.S. Appl. No. 29/675,179, filed Dec. 28, 2018, 9 pgs.

Topcon Positioning Systems, Inc., "RP-i3 Machine Control Prism Assembly," Technical Data Sheet, Feb. 2020, P/N: 1037638-01 Rev. A, 1 page.

Non-Final Office Action dated Mar. 6, 2020, in connection with U.S. Appl. No. 16/235,622, filed Dec. 28, 2018, 16 pgs.

International Search Report dated Mar. 16, 2020, in connection with International Patent Application No. PCT/US2019/062319, filed Nov. 20, 2019, 18 pgs.

* cited by examiner

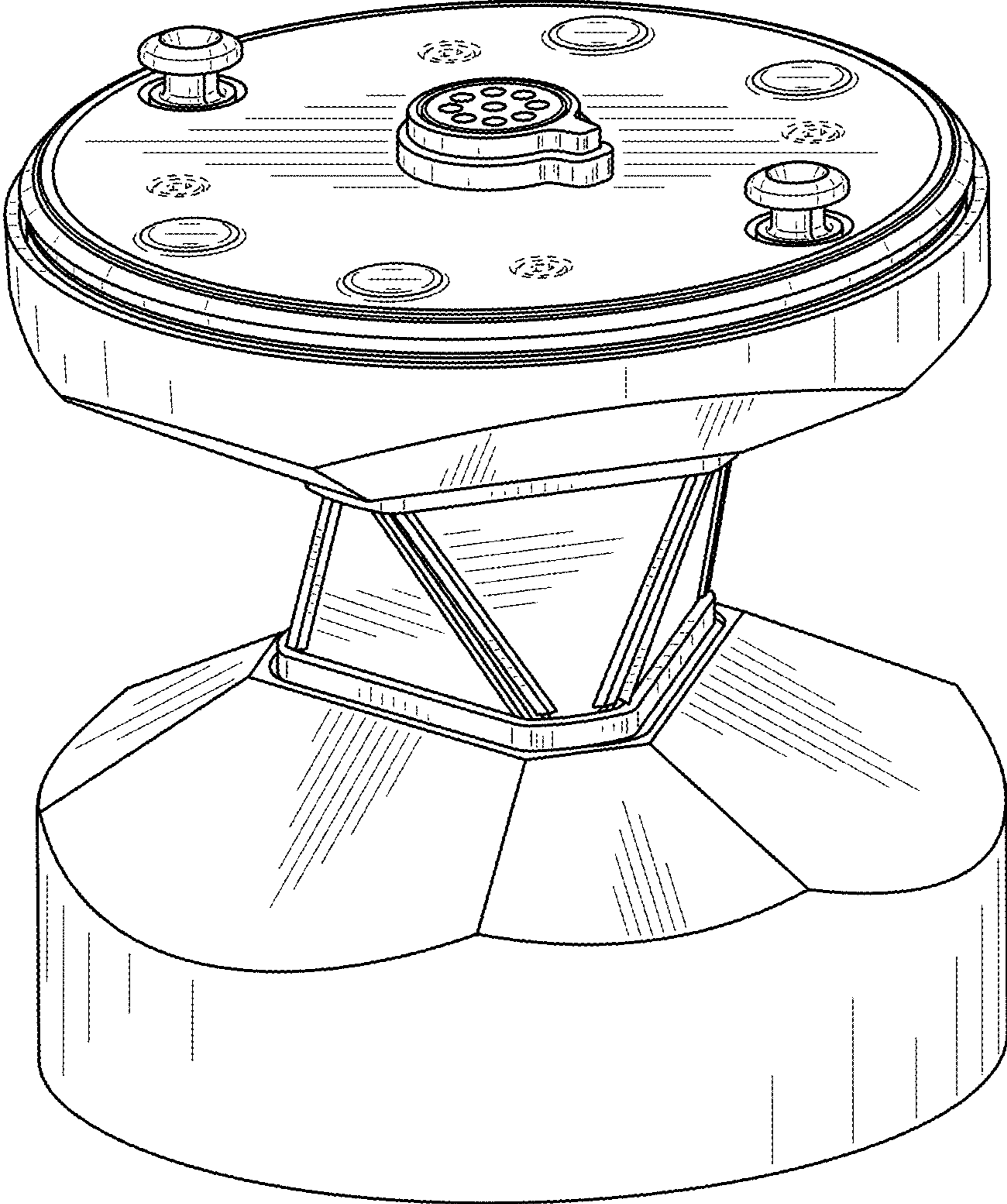


FIG. 1

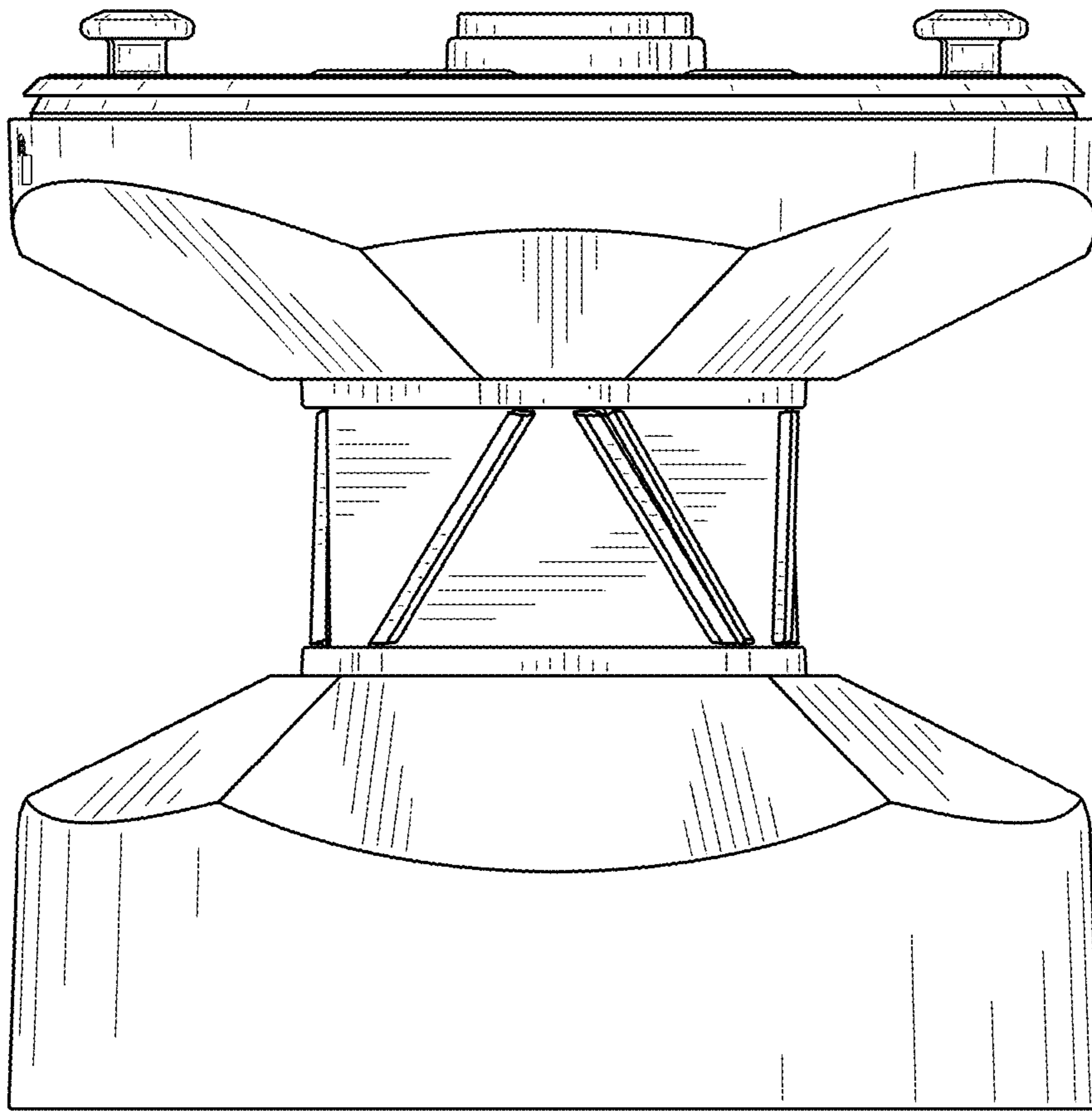


FIG. 2

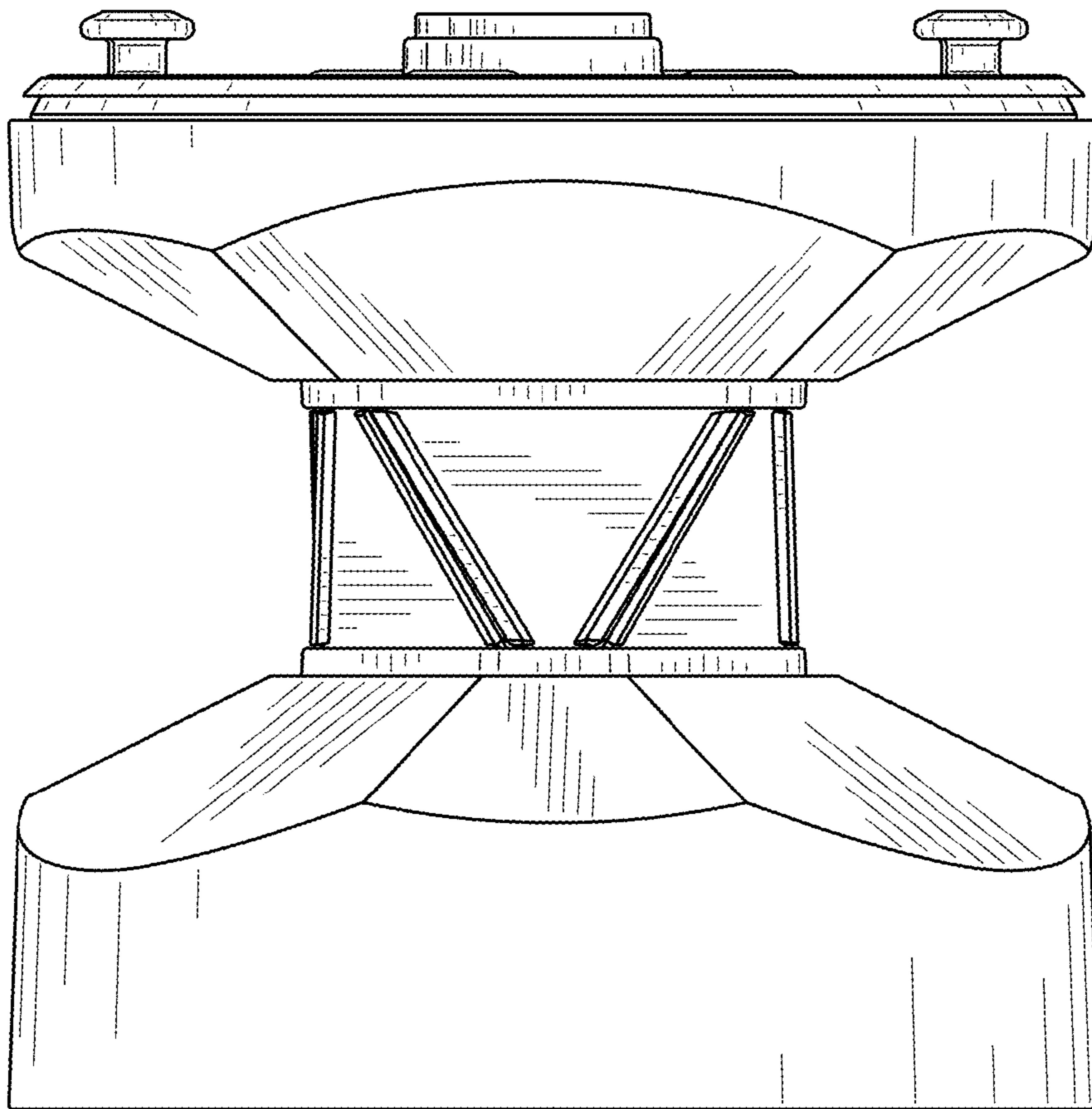


FIG. 3

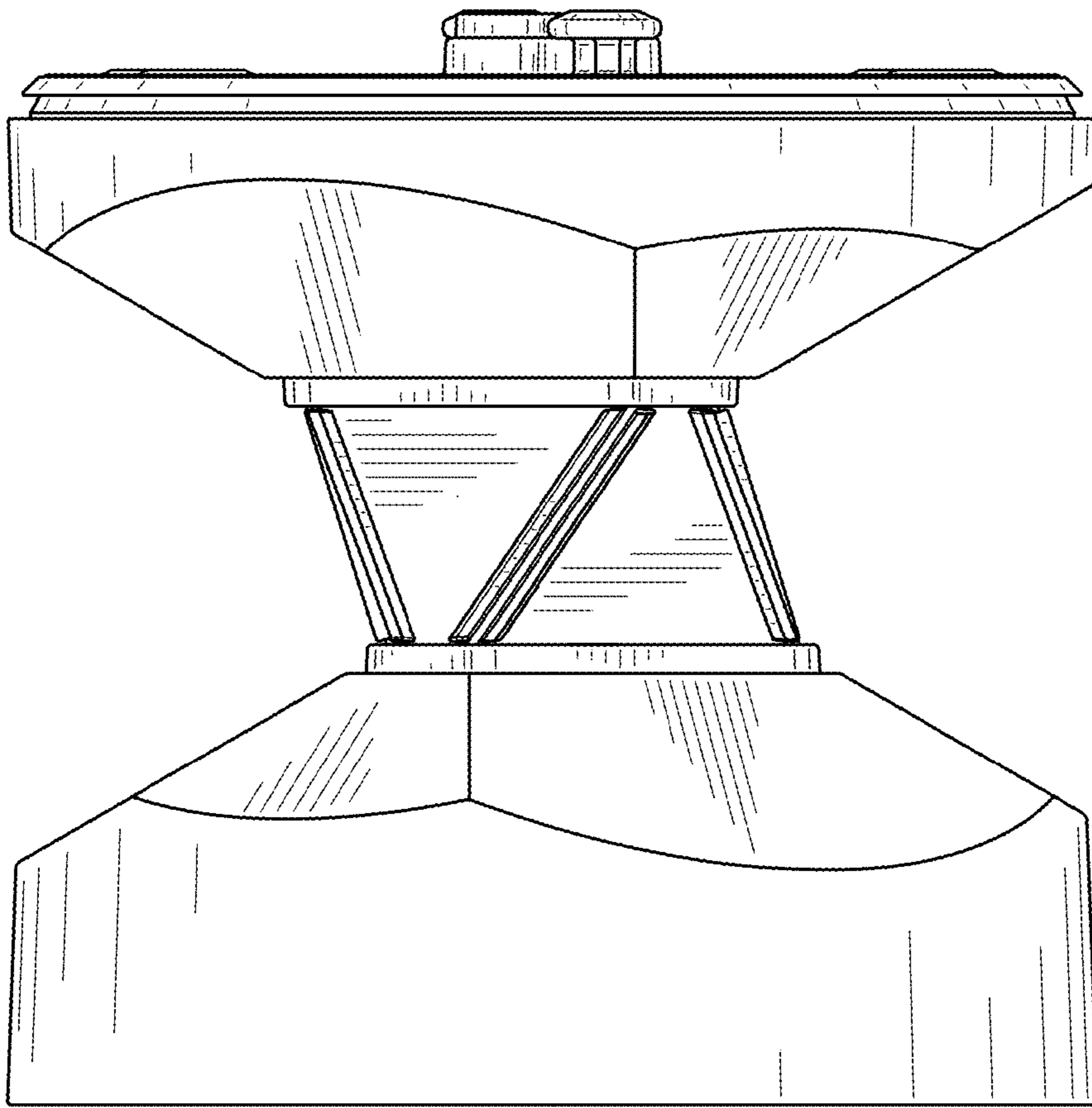


FIG. 4

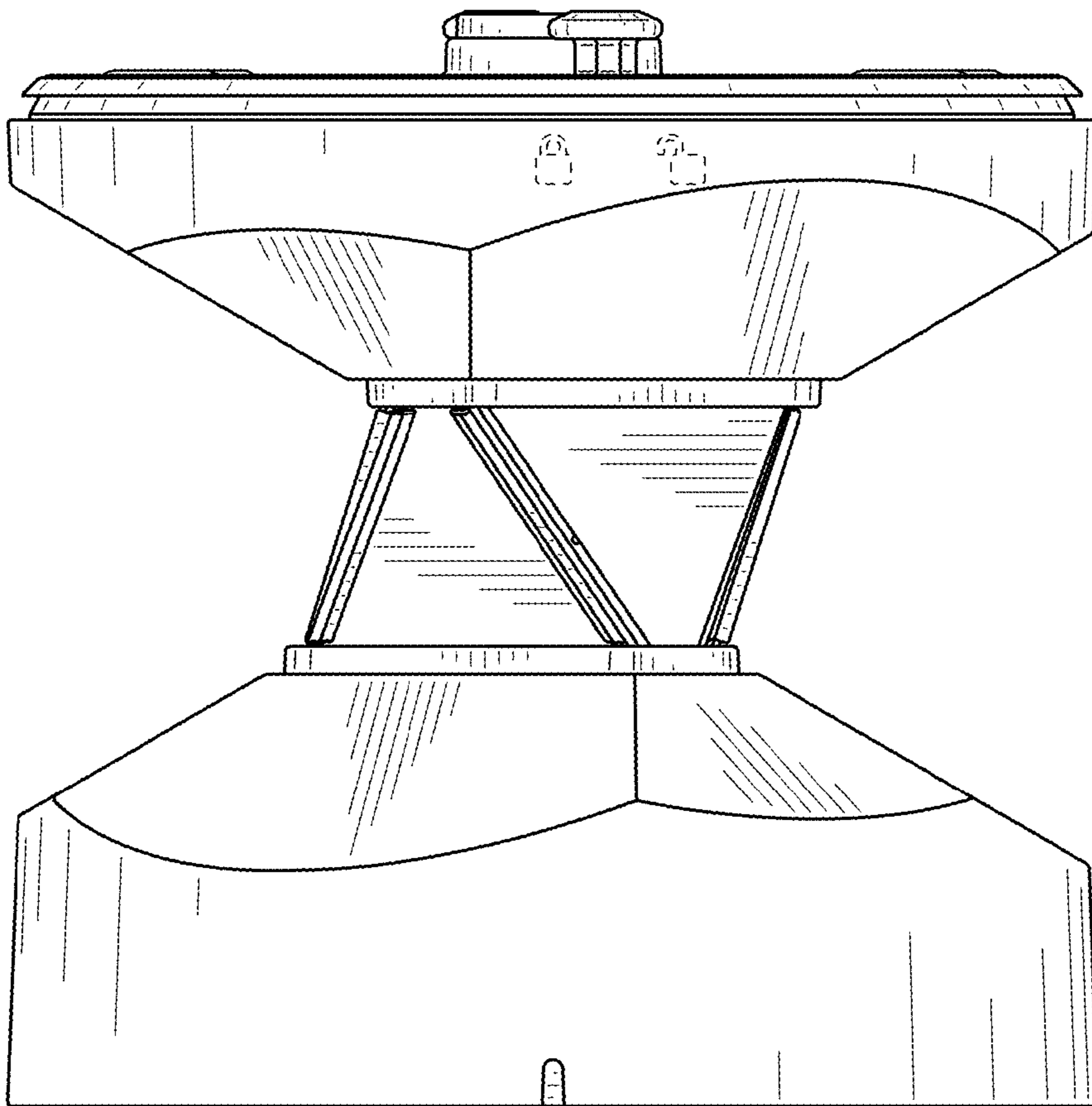


FIG. 5

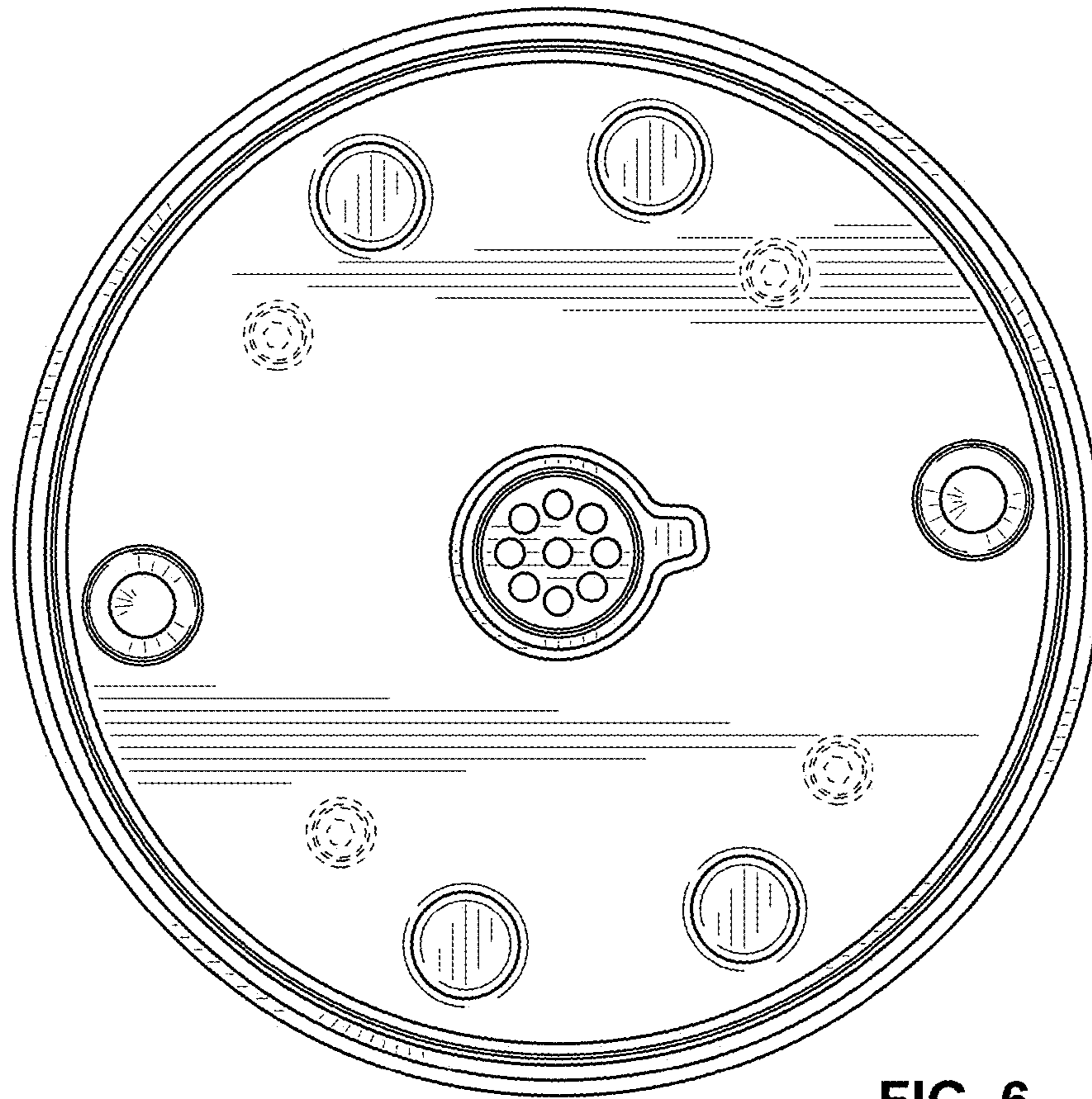


FIG. 6

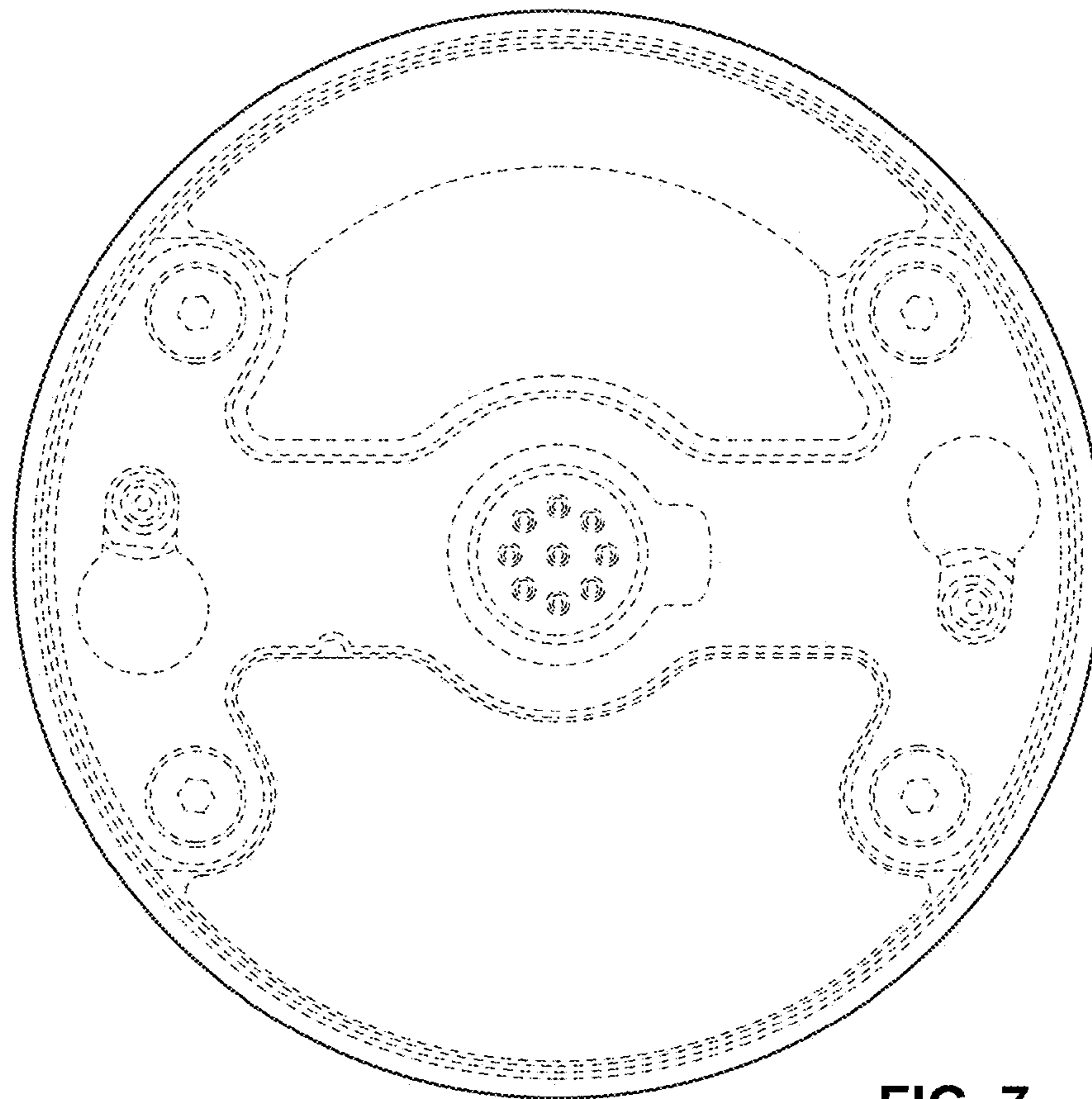


FIG. 7