



US00D896113S

(12) **United States Design Patent**  
**Gong et al.**

(10) **Patent No.:** **US D896,113 S**

(45) **Date of Patent:** **\*\* Sep. 15, 2020**

(54) **LEAKAGE DETECTOR**

(71) Applicant: **Shenzhen Intellirocks Tech. Co., Ltd.**,  
Shenzhen (CN)

(72) Inventors: **Cheng Gong**, Shenzhen (CN); **Yuling Zhan**,  
Shenzhen (CN); **Wenlong Wu**, Shenzhen (CN)

(73) Assignee: **SHENZHEN INTELLIROCKS TECH. CO., LTD.**,  
Shenzhen (CN)

(\*\*) Term: **15 Years**

(21) Appl. No.: **29/682,016**

(22) Filed: **Mar. 1, 2019**

(30) **Foreign Application Priority Data**

Sep. 3, 2018 (CN) ..... 2018 3 04936274

(51) **LOC (12) Cl.** ..... **10-04**

(52) **U.S. Cl.**  
USPC ..... **D10/101**

(58) **Field of Classification Search**  
USPC ..... D10/46, 101  
CPC ..... G08B 21/02; G08B 21/18; G08B 21/182;  
G08B 21/20; G08B 3/00; G08B 19/00;  
G08B 19/02; G01D 7/00; G01D 11/24;  
G01D 11/245; G01F 1/00; G01N  
33/0031; G01N 33/0032; G01M 3/16;  
G01M 3/38

See application file for complete search history.

(56) **References Cited**

U.S. PATENT DOCUMENTS

D312,219 S \* 11/1990 Pratt ..... D10/101  
D830,861 S 10/2018 McNealy et al.  
10,168,243 B2 1/2019 Kondou

\* cited by examiner

*Primary Examiner* — Antoine Duval Davis

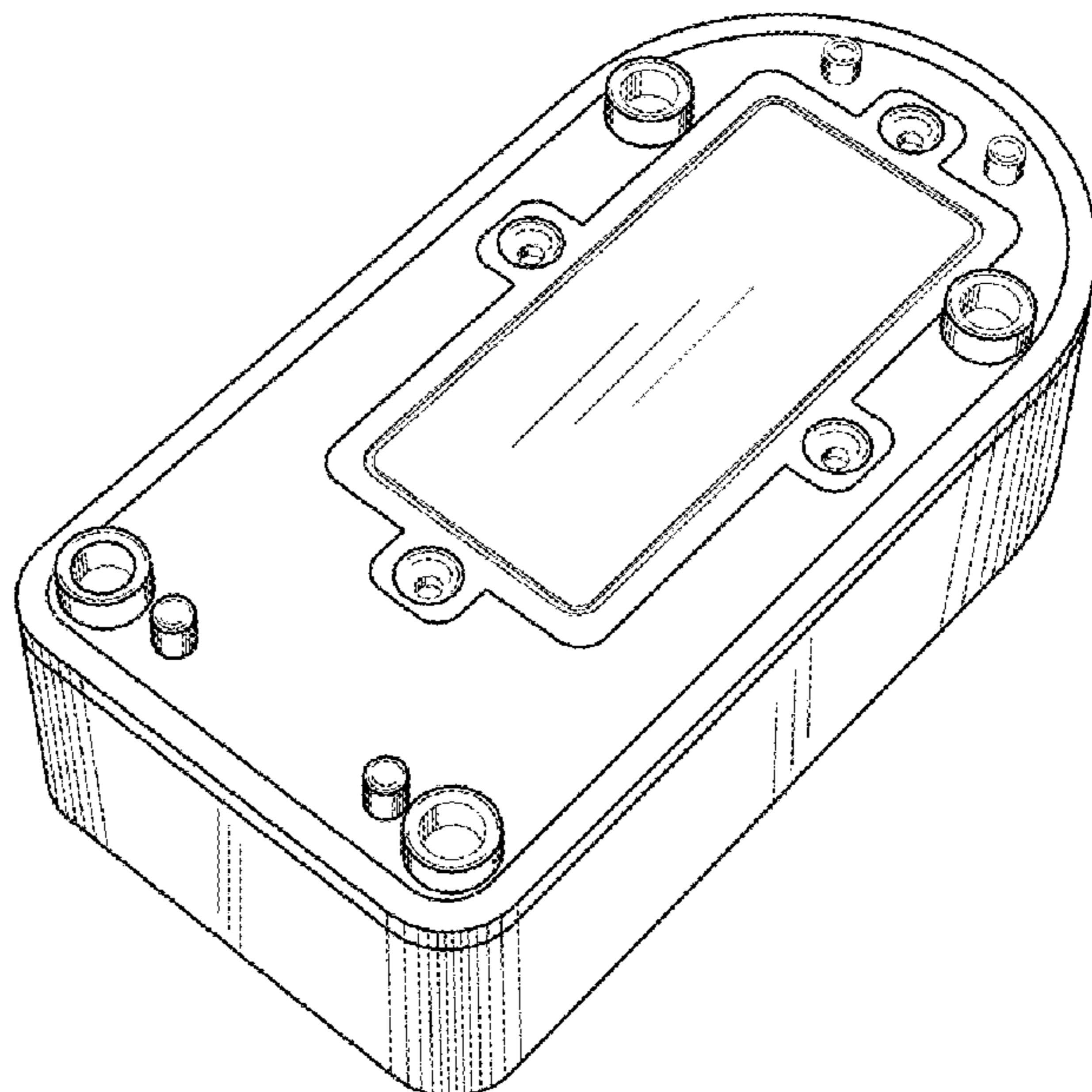
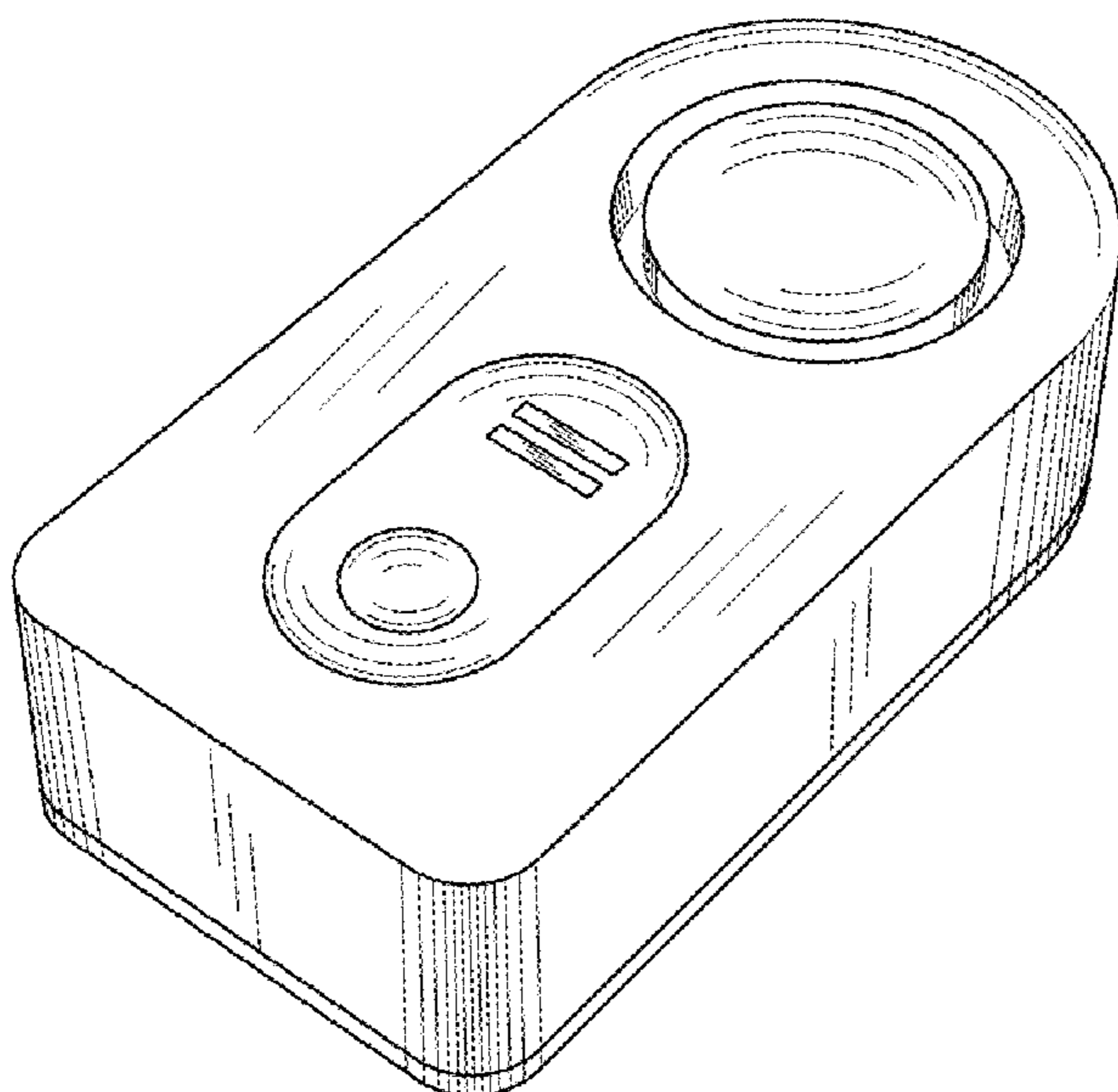
(57) **CLAIM**

The ornamental design for a leakage detector, as shown and described.

**DESCRIPTION**

FIG. 1 is a perspective view of a leakage detector showing my new design;  
FIG. 2 is another perspective view of the leakage detector showing my new design;  
FIG. 3 is a front elevational view thereof;  
FIG. 4 is a rear elevational view thereof;  
FIG. 5 is a left side elevational view thereof;  
FIG. 6 is a right side elevational view thereof;  
FIG. 7 is a top plan view thereof; and,  
FIG. 8 is a bottom plan view thereof.

**1 Claim, 8 Drawing Sheets**



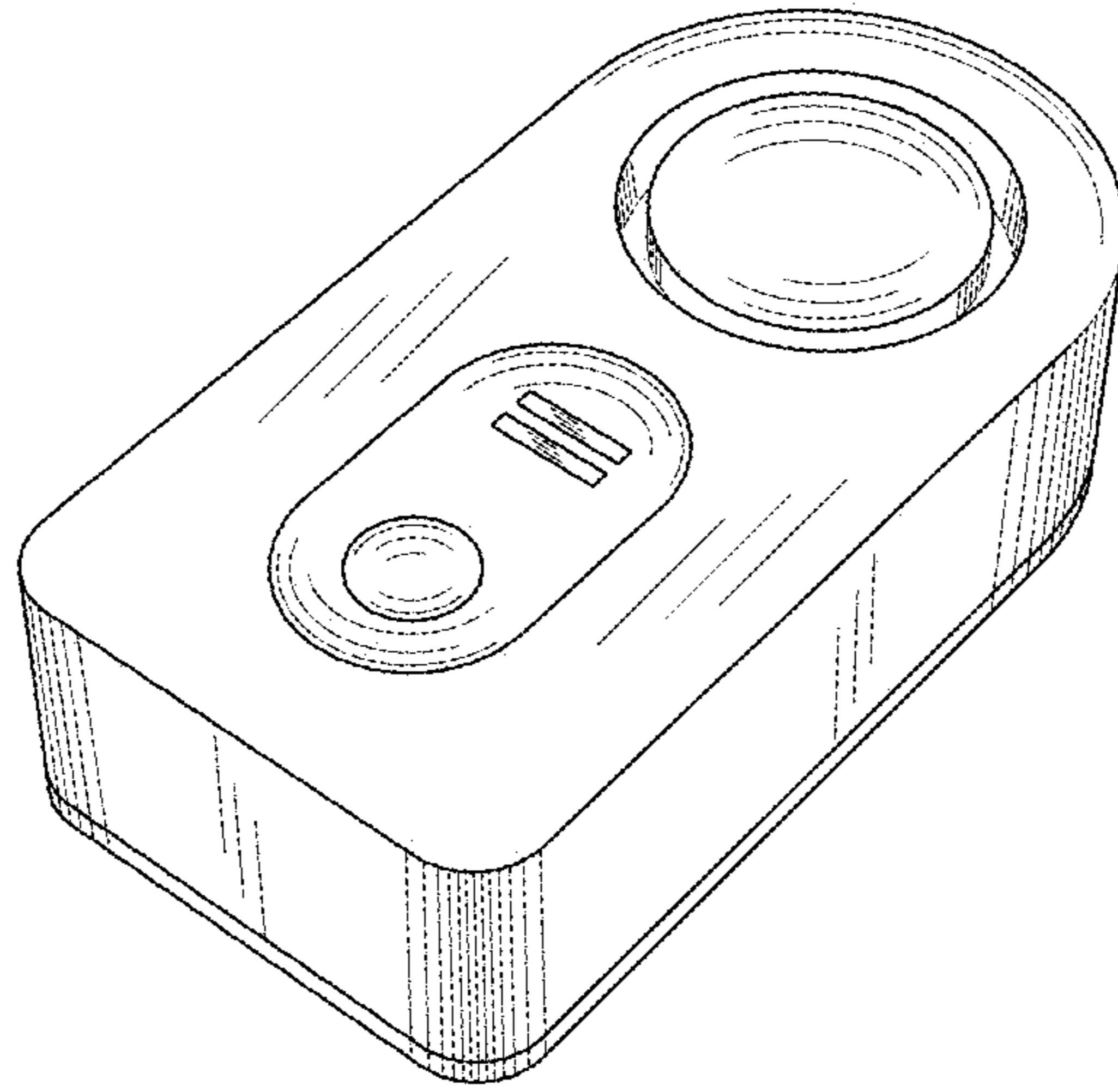


FIG. 1

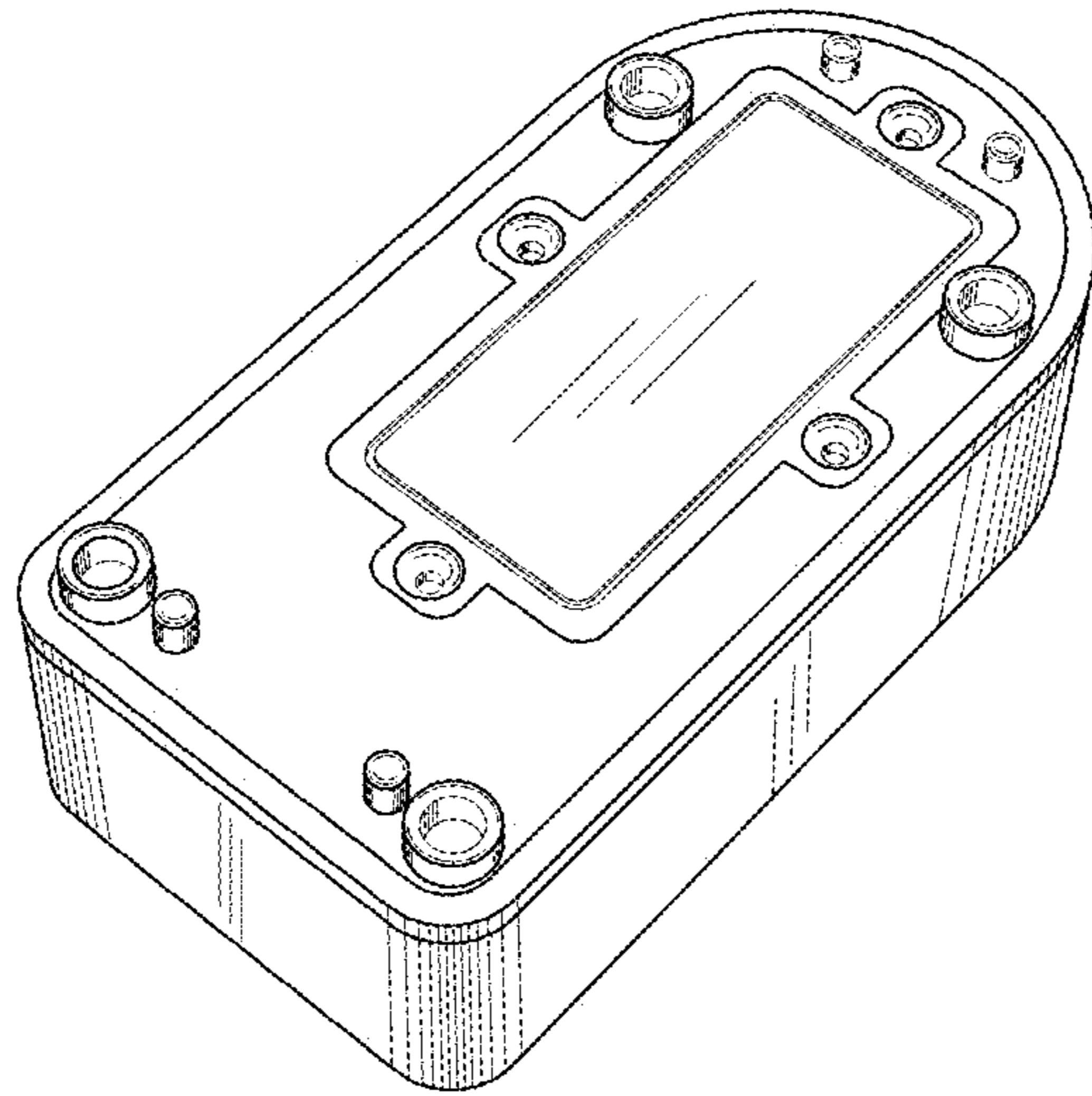


FIG. 2

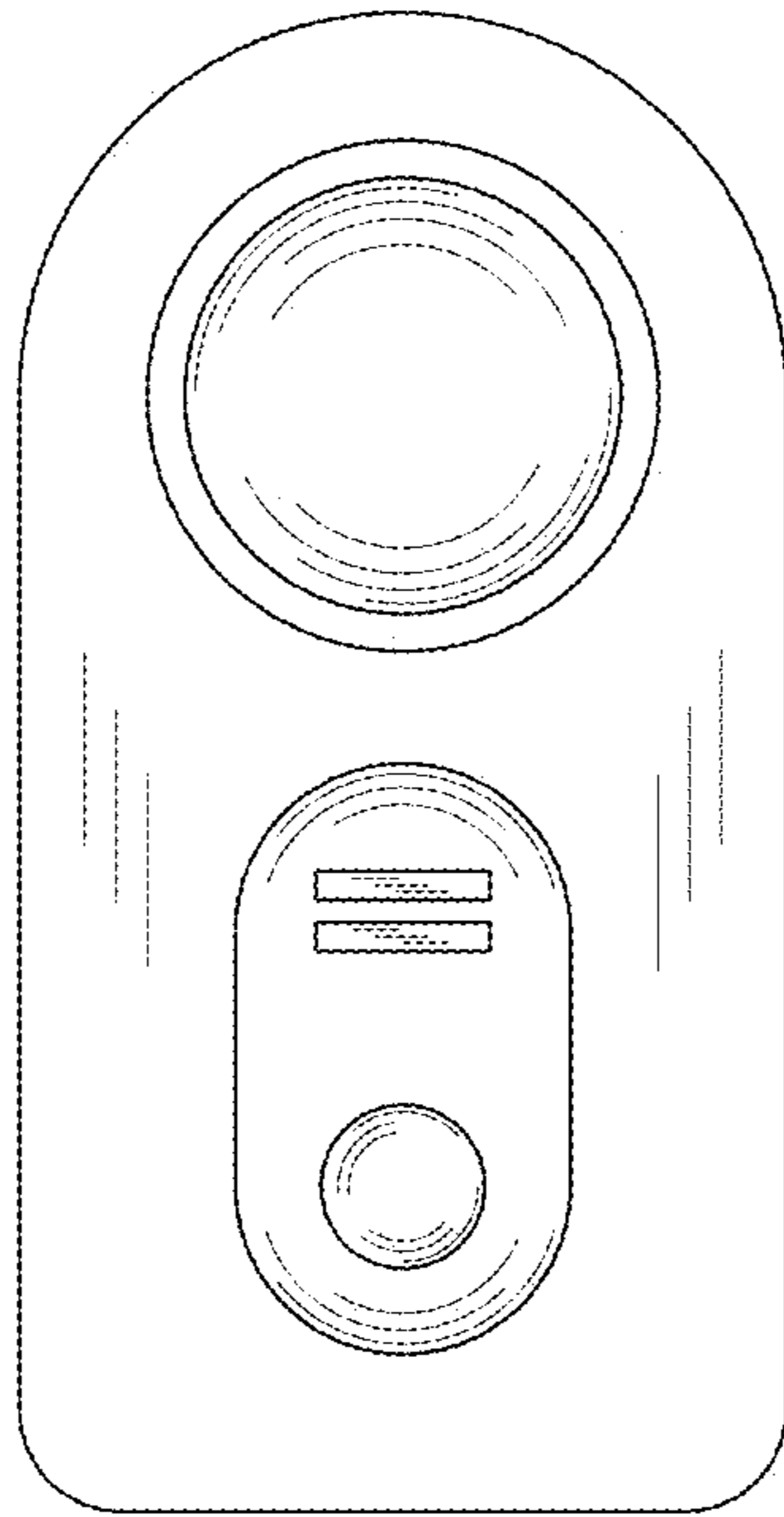


FIG. 3

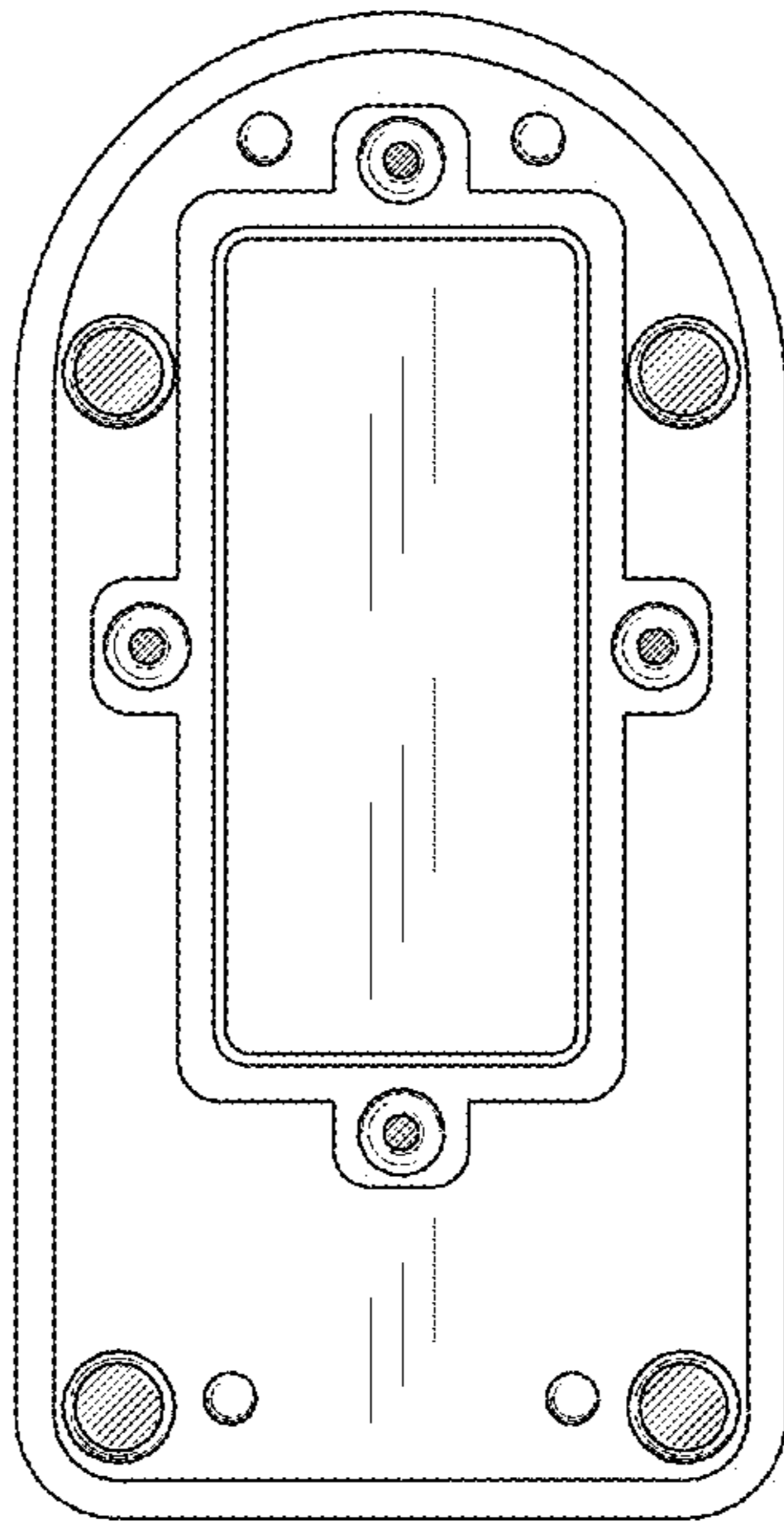


FIG. 4

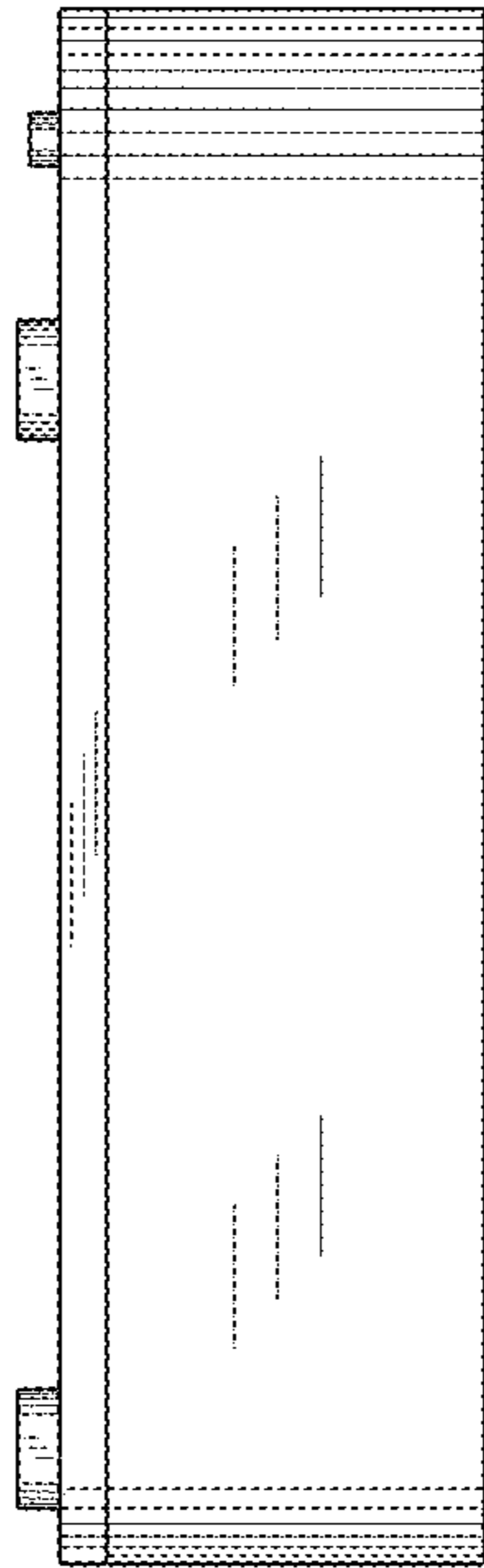


FIG. 5

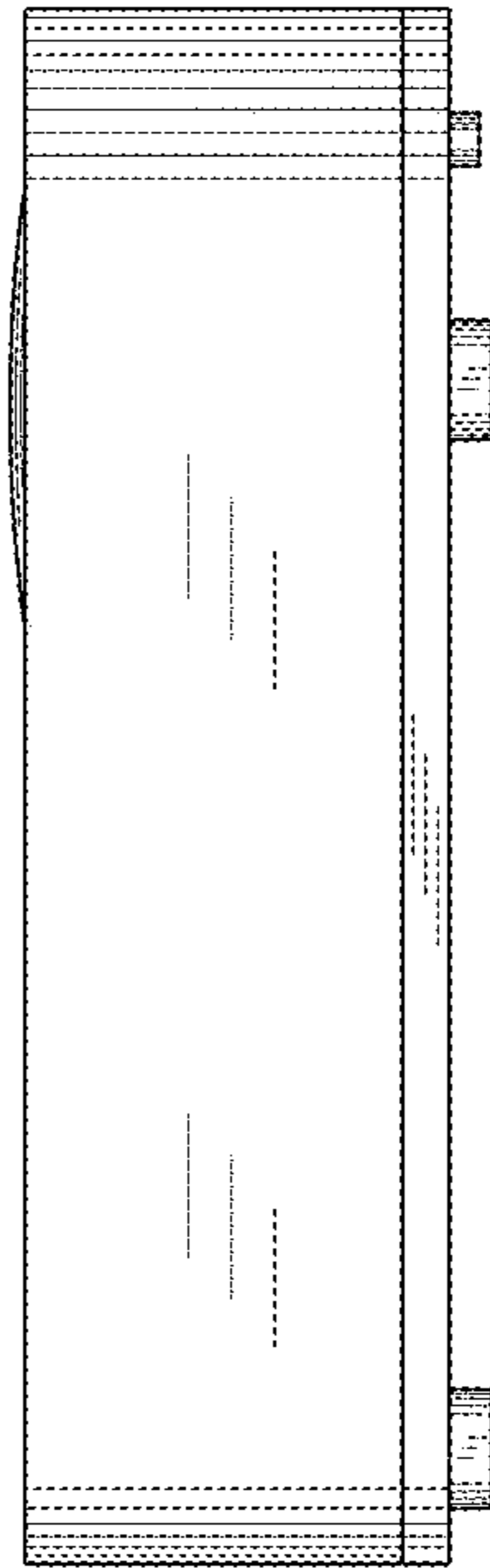


FIG. 6

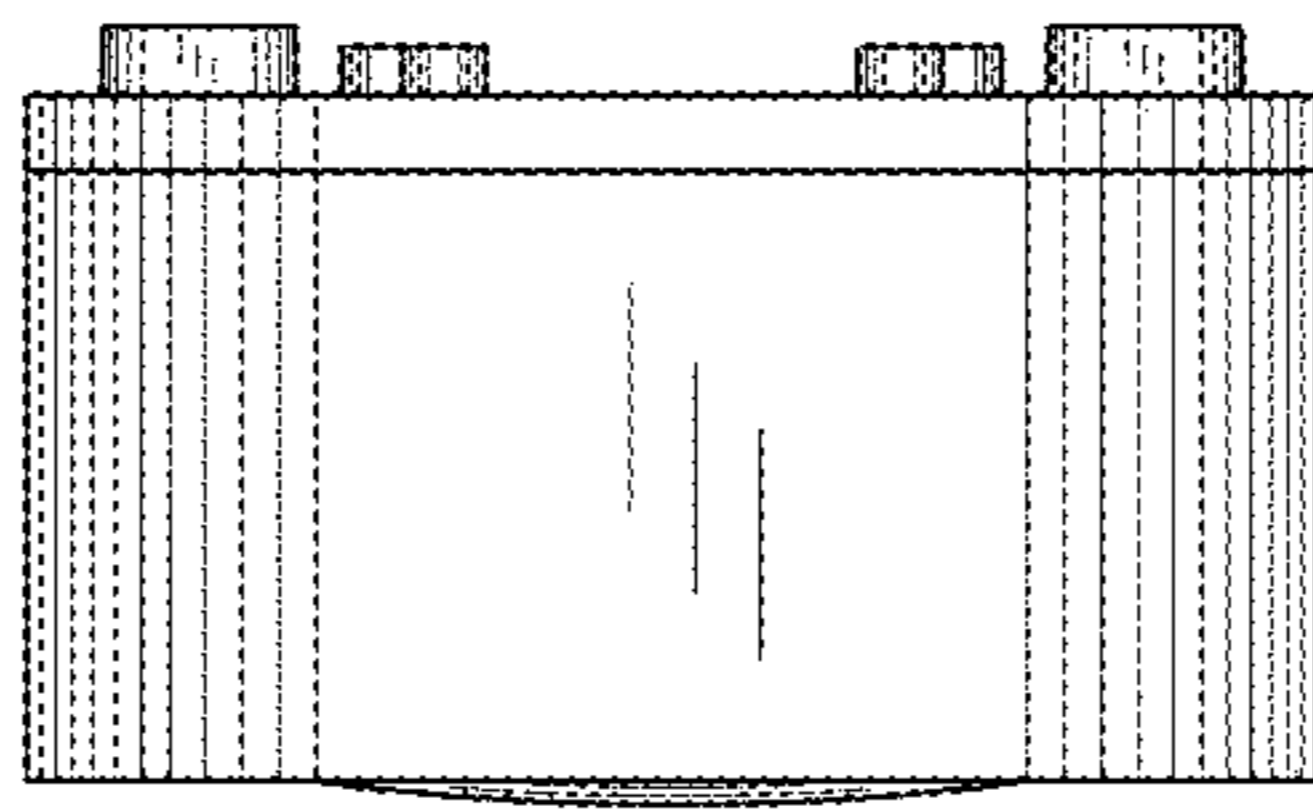


FIG. 7



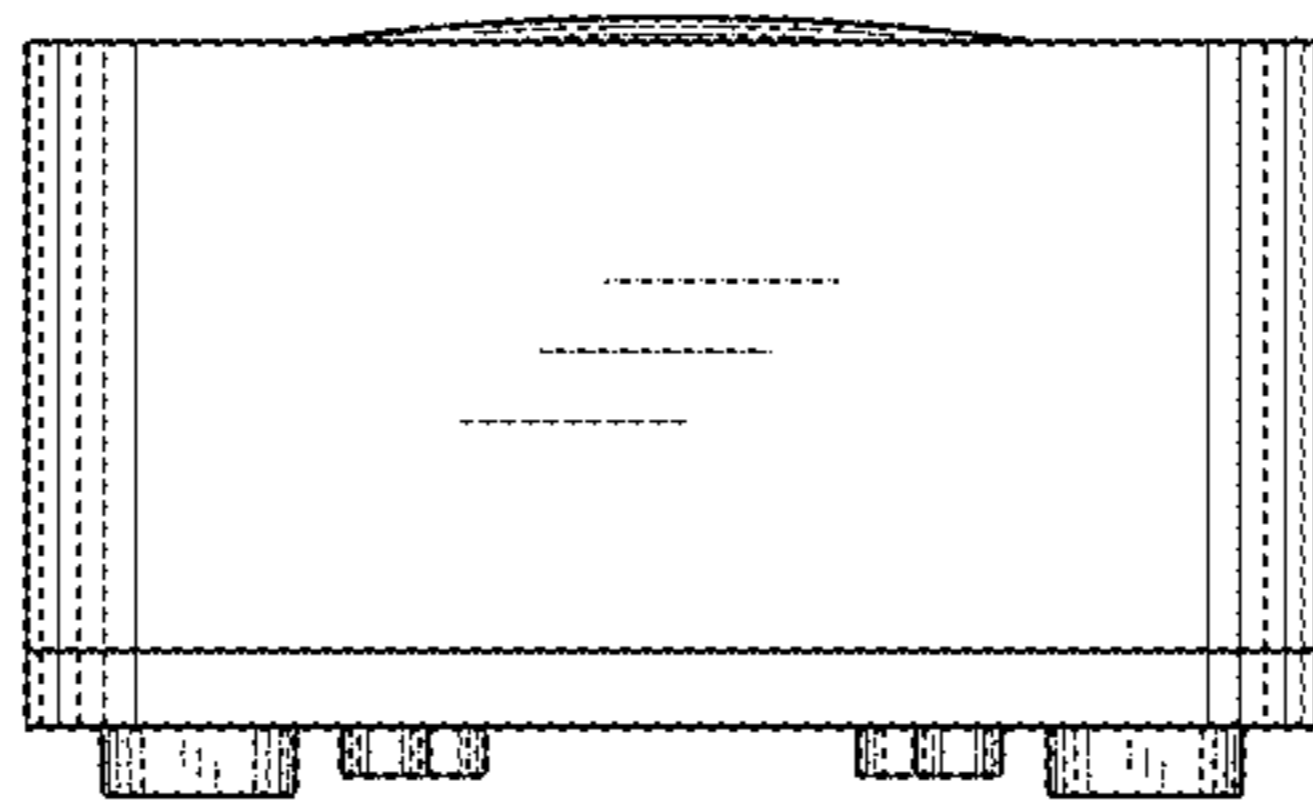


FIG. 8