



US00D896110S

(12) **United States Design Patent**
Vera

(10) **Patent No.:** **US D896,110 S**

(45) **Date of Patent:** **** Sep. 15, 2020**

(54) **PIPE FITTER'S SQUARING TOOL**

D587,606 S 3/2009 McMasters
8,011,108 B2 * 9/2011 Upthegrove G01C 9/26
33/371

(71) Applicant: **Yonny Vera**, Seffner, FL (US)

D657,701 S 4/2012 Martinez et al.

(72) Inventor: **Yonny Vera**, Seffner, FL (US)

D717,675 S 11/2014 Lin

D730,206 S * 5/2015 Silberberg D10/69

(**) Term: **15 Years**

D760,569 S 7/2016 Zinkosky, II

D818,380 S 5/2018 Cummings

(21) Appl. No.: **29/679,830**

* cited by examiner

(22) Filed: **Feb. 11, 2019**

Primary Examiner — Antoine Duval Davis

(51) **LOC (12) Cl.** **10-04**

(74) *Attorney, Agent, or Firm* — Thomas Frost

(52) **U.S. Cl.**

USPC **D10/69**; D10/65

(58) **Field of Classification Search**

USPC D10/65, 69

CPC G01B 3/566; G01C 9/26

See application file for complete search history.

(57) **CLAIM**

The ornamental design for a pipe fitter's squaring tool, as shown and described.

(56) **References Cited**

DESCRIPTION

U.S. PATENT DOCUMENTS

4,473,957 A * 10/1984 Faulkner A47G 1/205
33/371

D364,574 S 11/1995 Utz et al.

D369,981 S 5/1996 Hayes et al.

D398,252 S 11/1998 Hagen et al.

6,032,378 A * 3/2000 Null A47G 1/205
33/42

D454,080 S 3/2002 Aquilar et al.

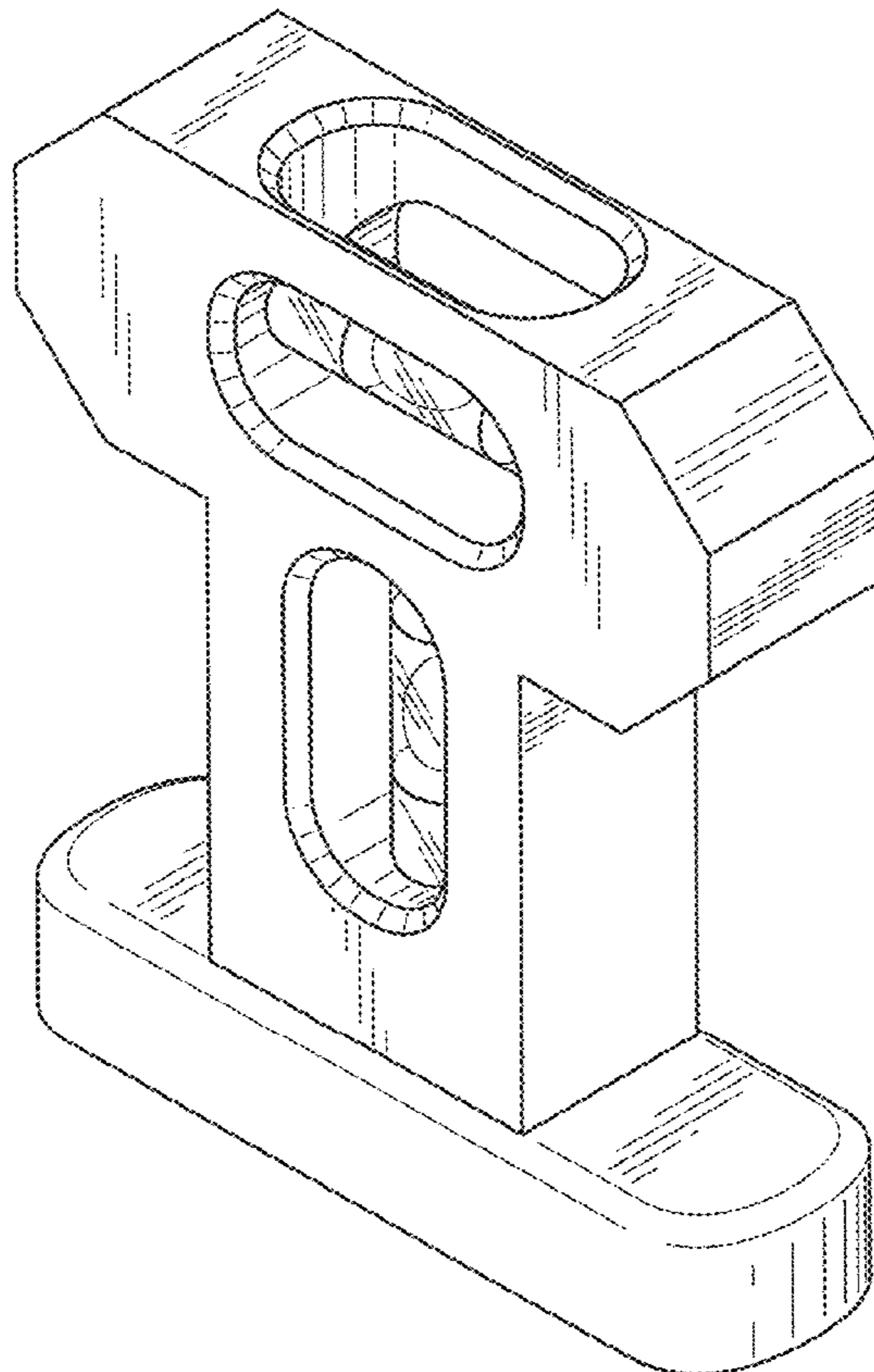
D454,312 S 3/2002 Anderson et al.

D465,424 S 11/2002 Allemand

D491,823 S 6/2004 Schwarm

FIG. 1 is a left side elevational view of the pipe fitter's square showing my new design;
FIG. 2 is a right side elevational view thereof;
FIG. 3 is a top view thereof;
FIG. 4 is a bottom view thereof;
FIG. 5 is a front elevational view thereof;
FIG. 6 is a rear elevational view thereof; and,
FIG. 7 is a perspective illustration showing a front view and an end view thereof.

1 Claim, 5 Drawing Sheets



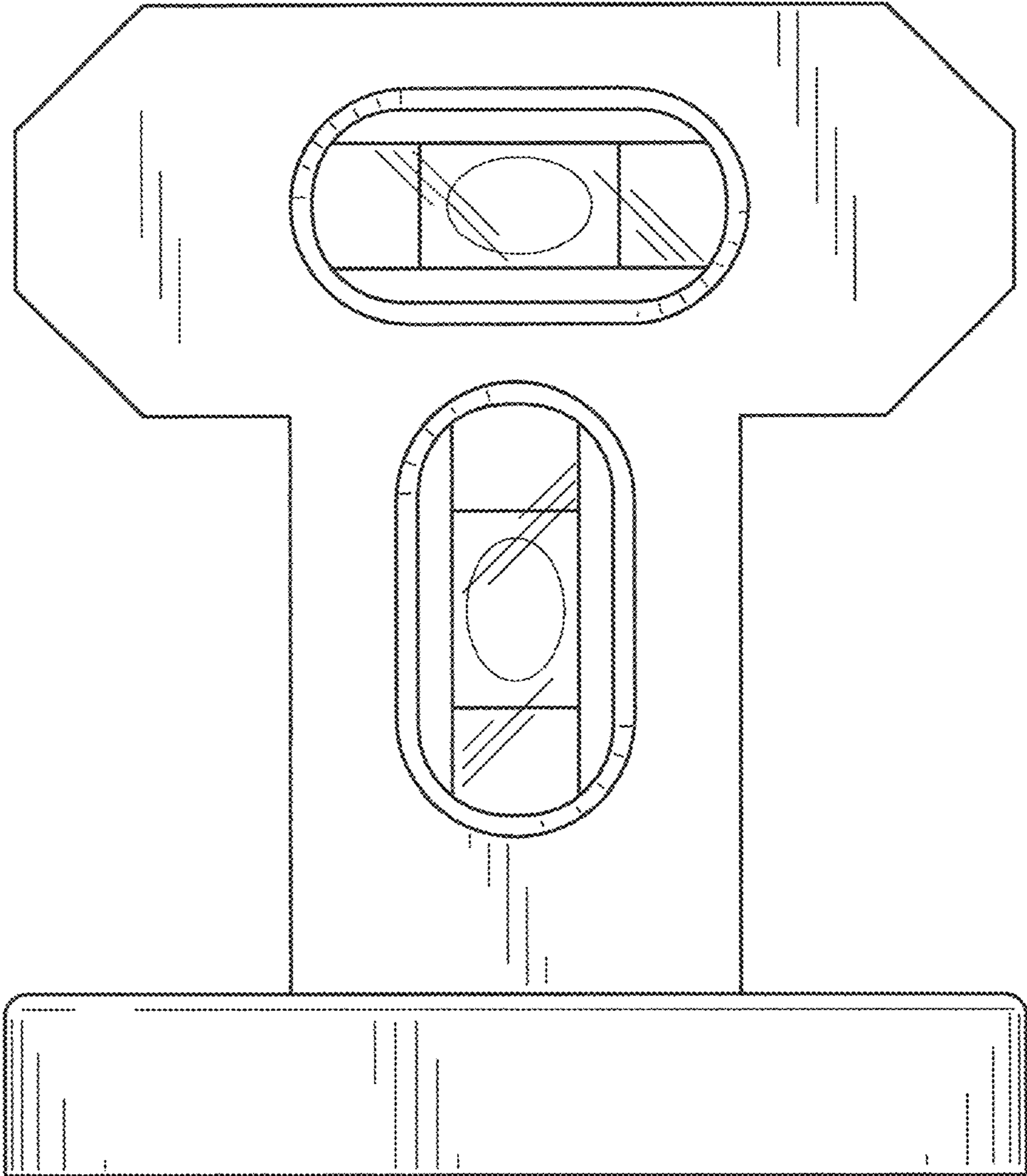


FIG. 1

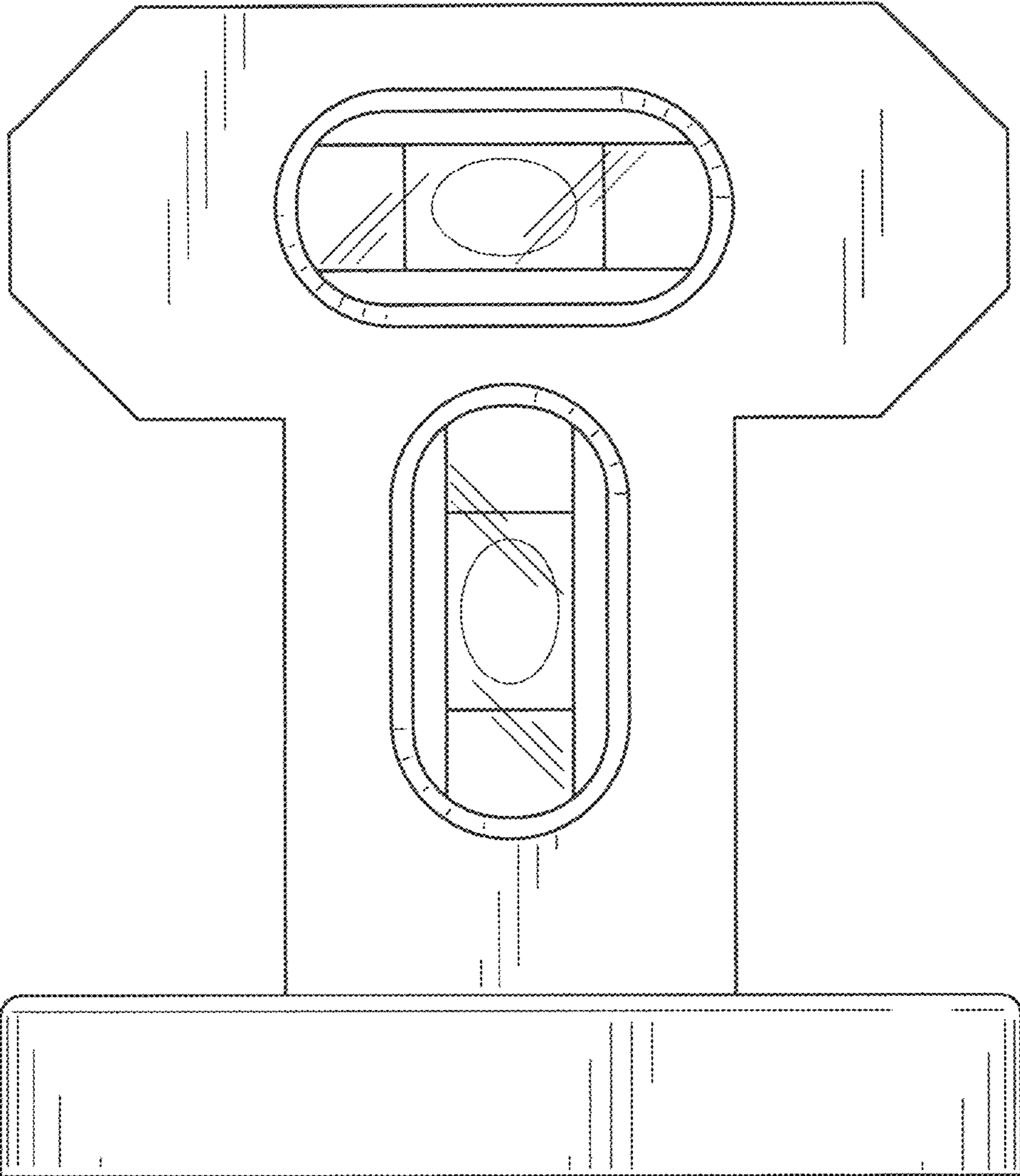


FIG. 2

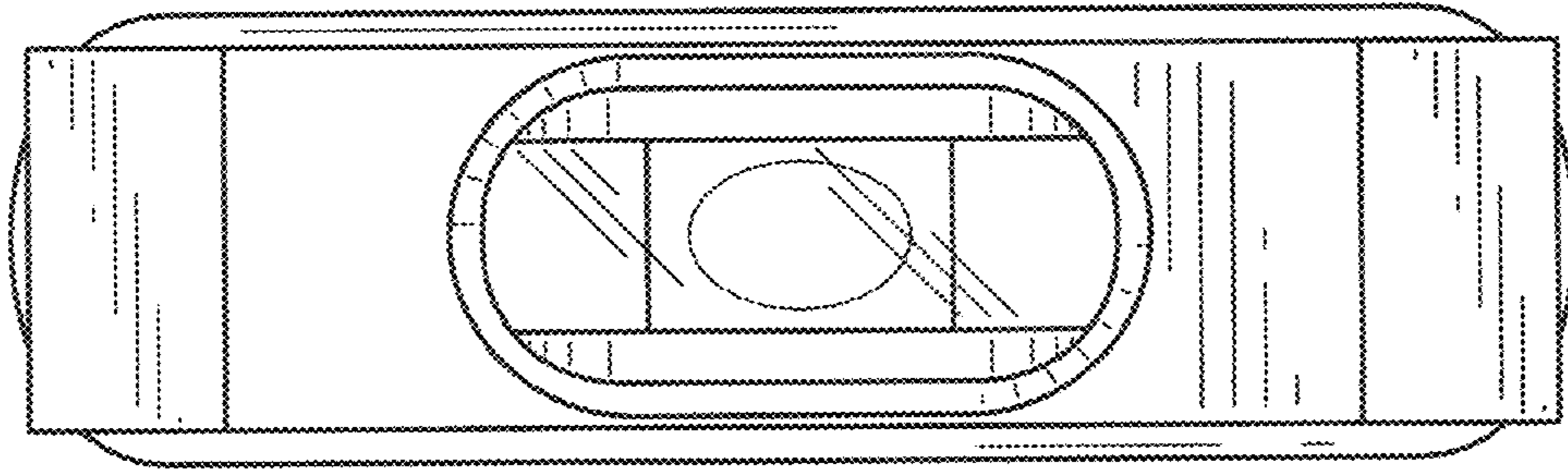


FIG. 3

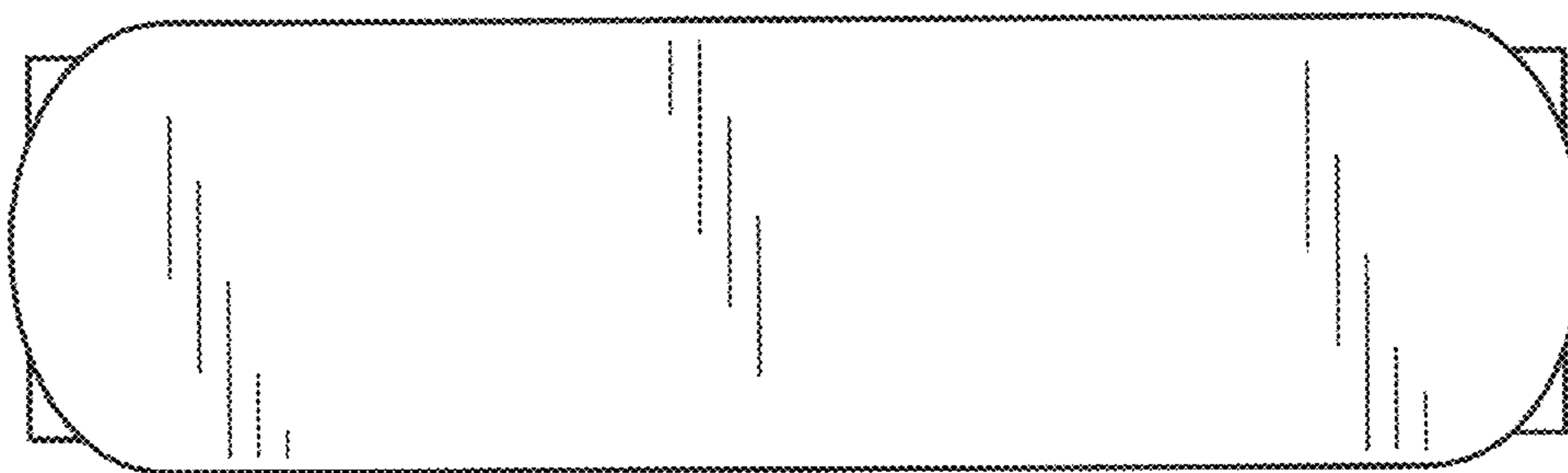


FIG. 4

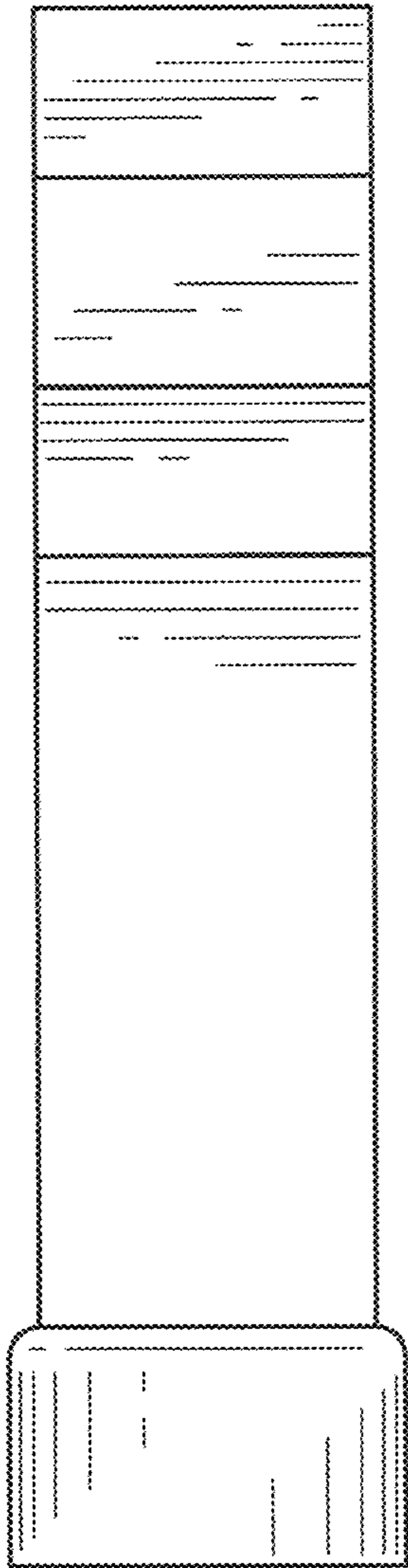


FIG. 5

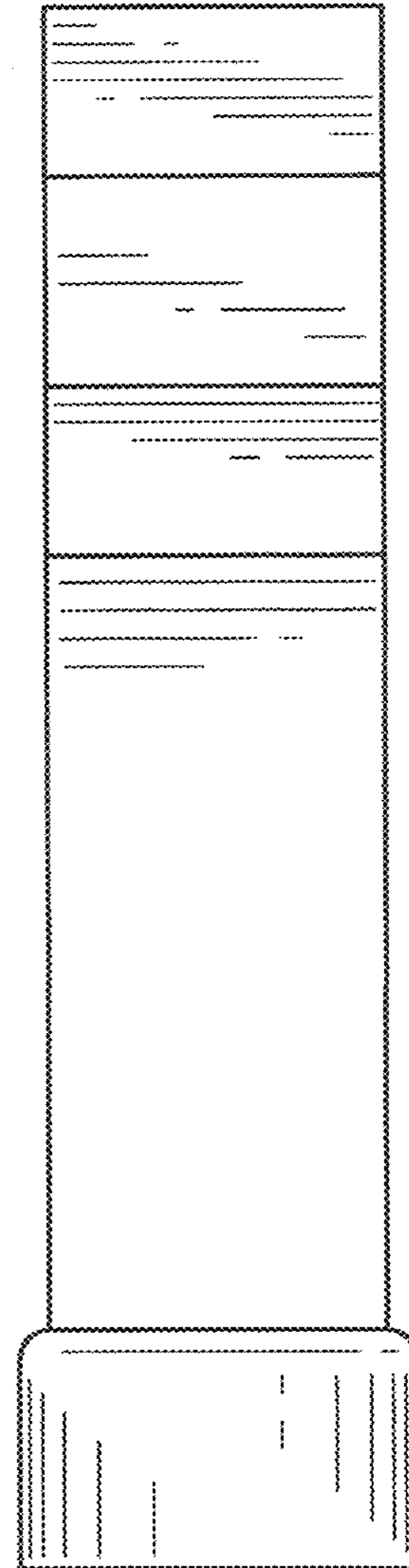


FIG. 6

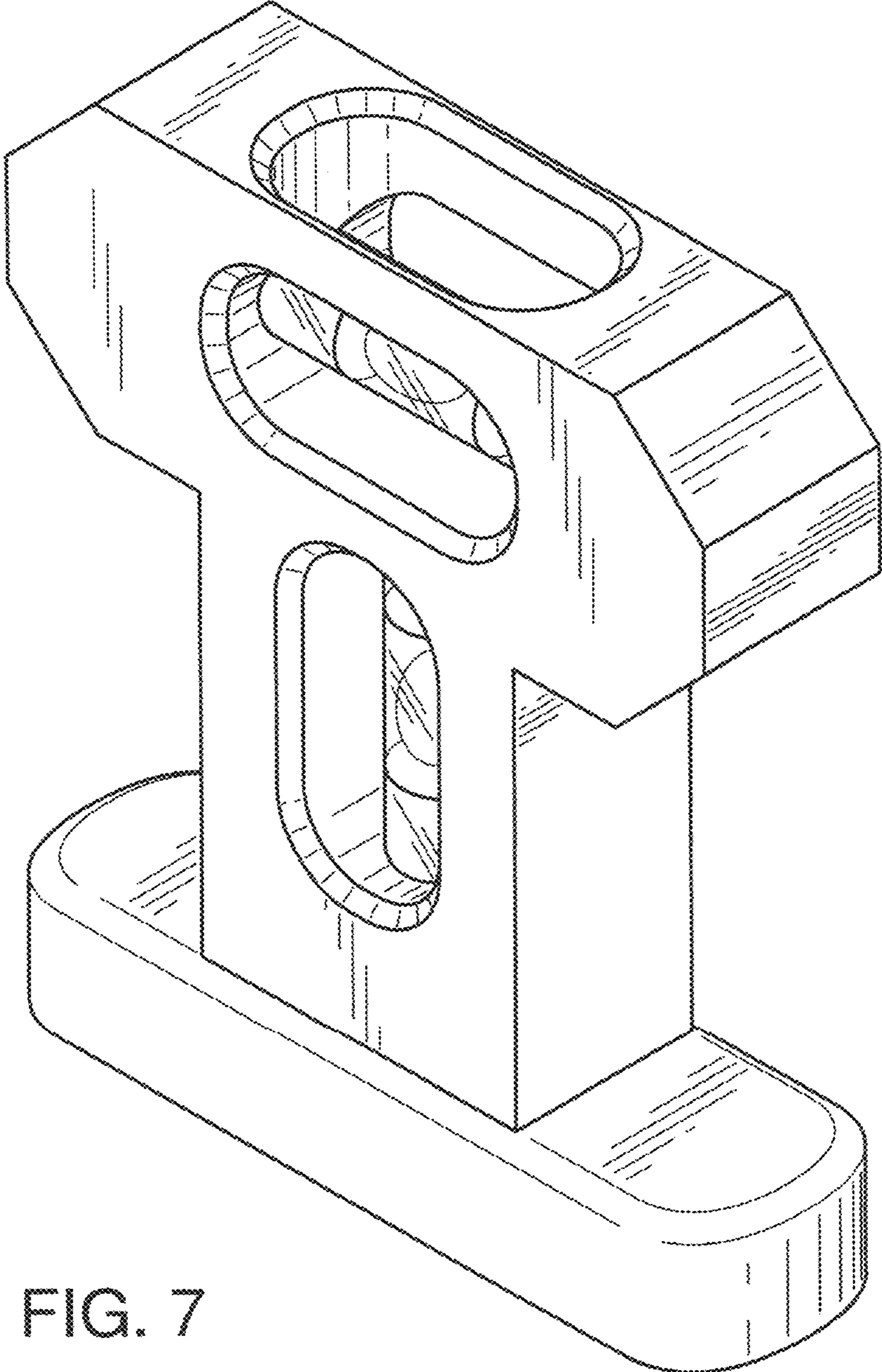


FIG. 7