



US00D896109S

(12) **United States Design Patent**
Liu

(10) **Patent No.:** **US D896,109 S**

(45) **Date of Patent:** **** Sep. 15, 2020**

(54) **WIRELESS BARBECUE THERMOMETER**

(71) Applicant: **Shenzhen Hypersynes Co., Ltd.**,
Shenzhen (CN)

(72) Inventor: **Linqing Liu**, Shenzhen (CN)

(**) Term: **15 Years**

(21) Appl. No.: **29/681,605**

(22) Filed: **Feb. 27, 2019**

(51) **LOC (12) Cl.** **10-04**

(52) **U.S. Cl.**

USPC **D10/57**

(58) **Field of Classification Search**

USPC D10/57

CPC G01K 2207/02; G01K 2207/04; G01K
2207/06; G01K 2207/08

See application file for complete search history.

(56) **References Cited**

U.S. PATENT DOCUMENTS

6,736,086 B2 * 5/2004 Kaiser G01K 5/70
116/101

D571,232 S * 6/2008 Lawler D10/57

* cited by examiner

Primary Examiner — Antoine Duval Davis

(74) *Attorney, Agent, or Firm* — Andrew C. Cheng

(57) **CLAIM**

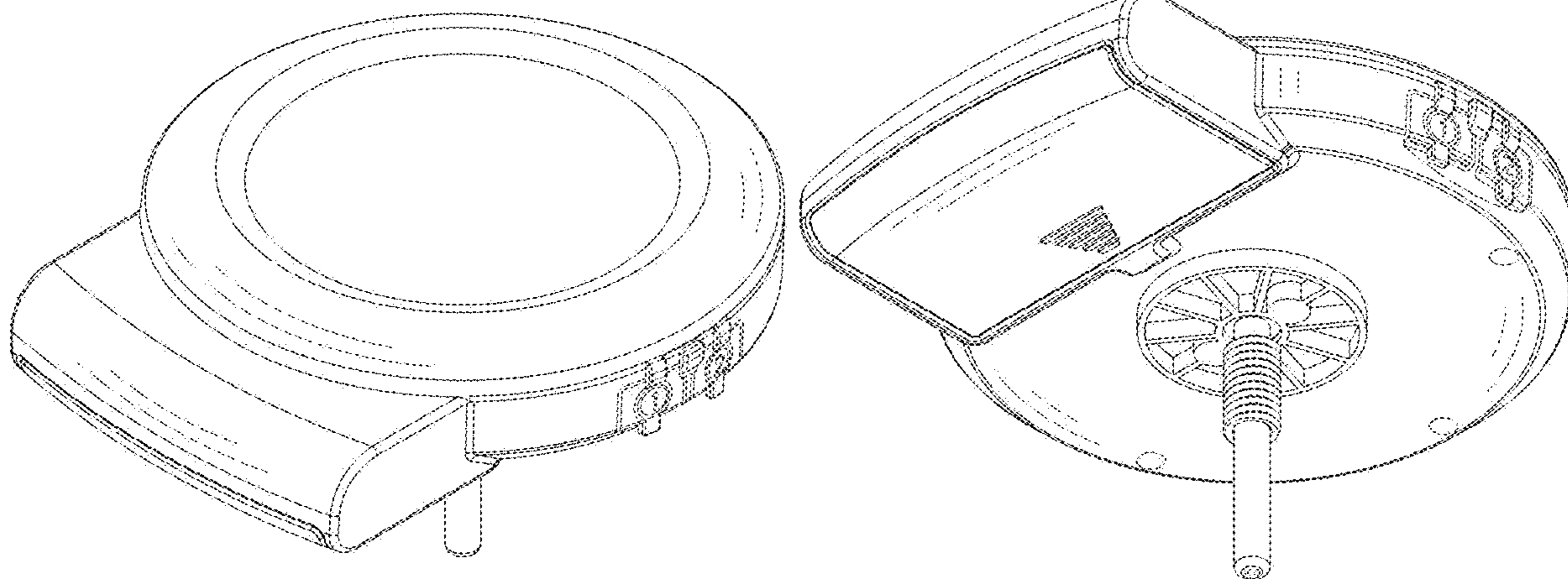
The ornamental design for a wireless barbecue thermometer,
as shown and described.

DESCRIPTION

FIG. 1 is a front elevation view of a barbecue thermometer;
FIG. 2 is a rear elevation view thereof;
FIG. 3 is a left side elevation view thereof;
FIG. 4 is a right side elevation view thereof;
FIG. 5 is a top plan the view thereof;
FIG. 6 is a bottom plan the view thereof;
FIG. 7 is a first perspective view thereof; and,
FIG. 8 is a second perspective view thereof, shown in an
open position.

The broken lines shown in the drawings depict portions of
the barbecue thermometer in which the design is embodied
that form no part of the claimed design.

1 Claim, 6 Drawing Sheets



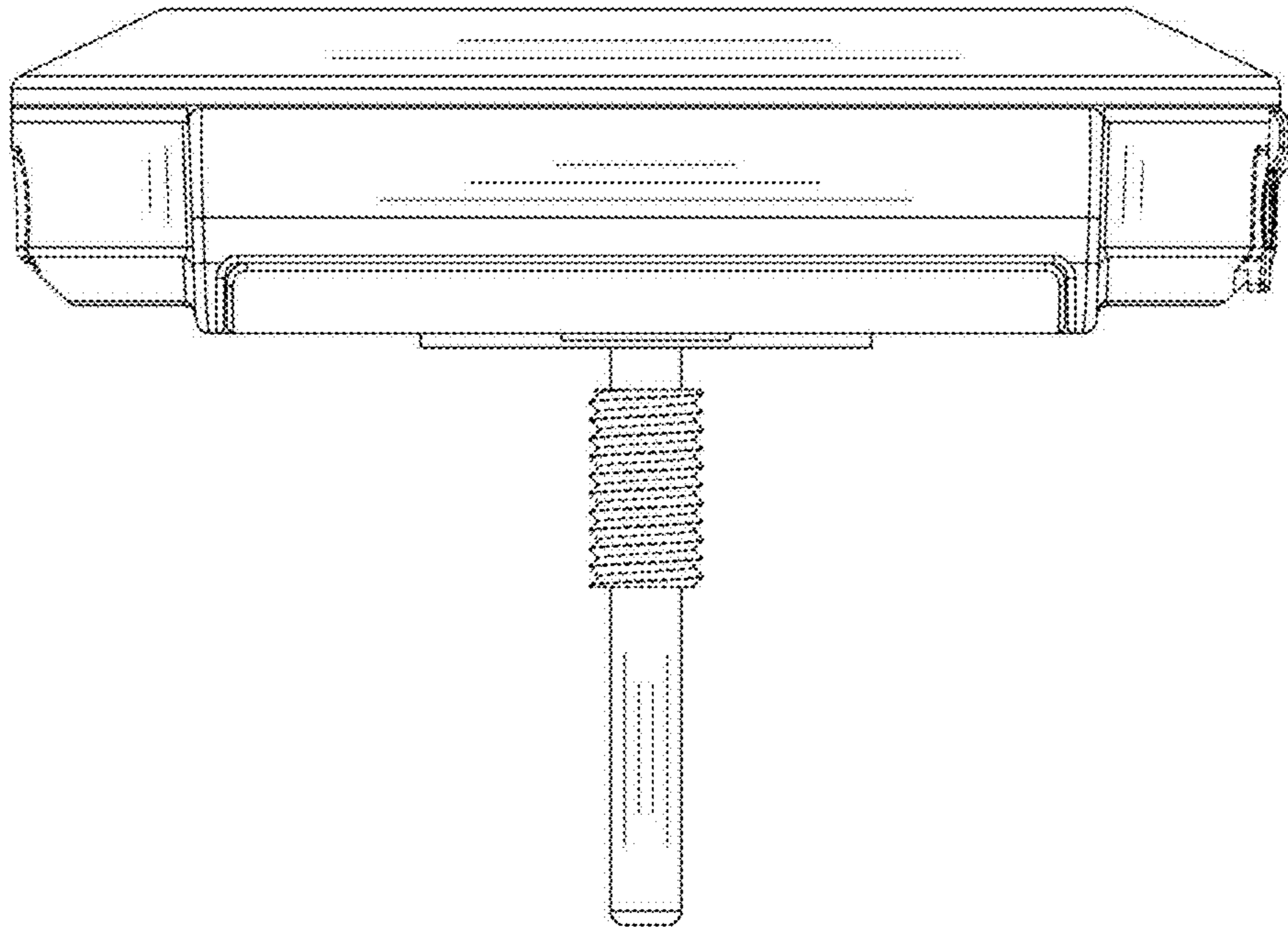


Fig. 1

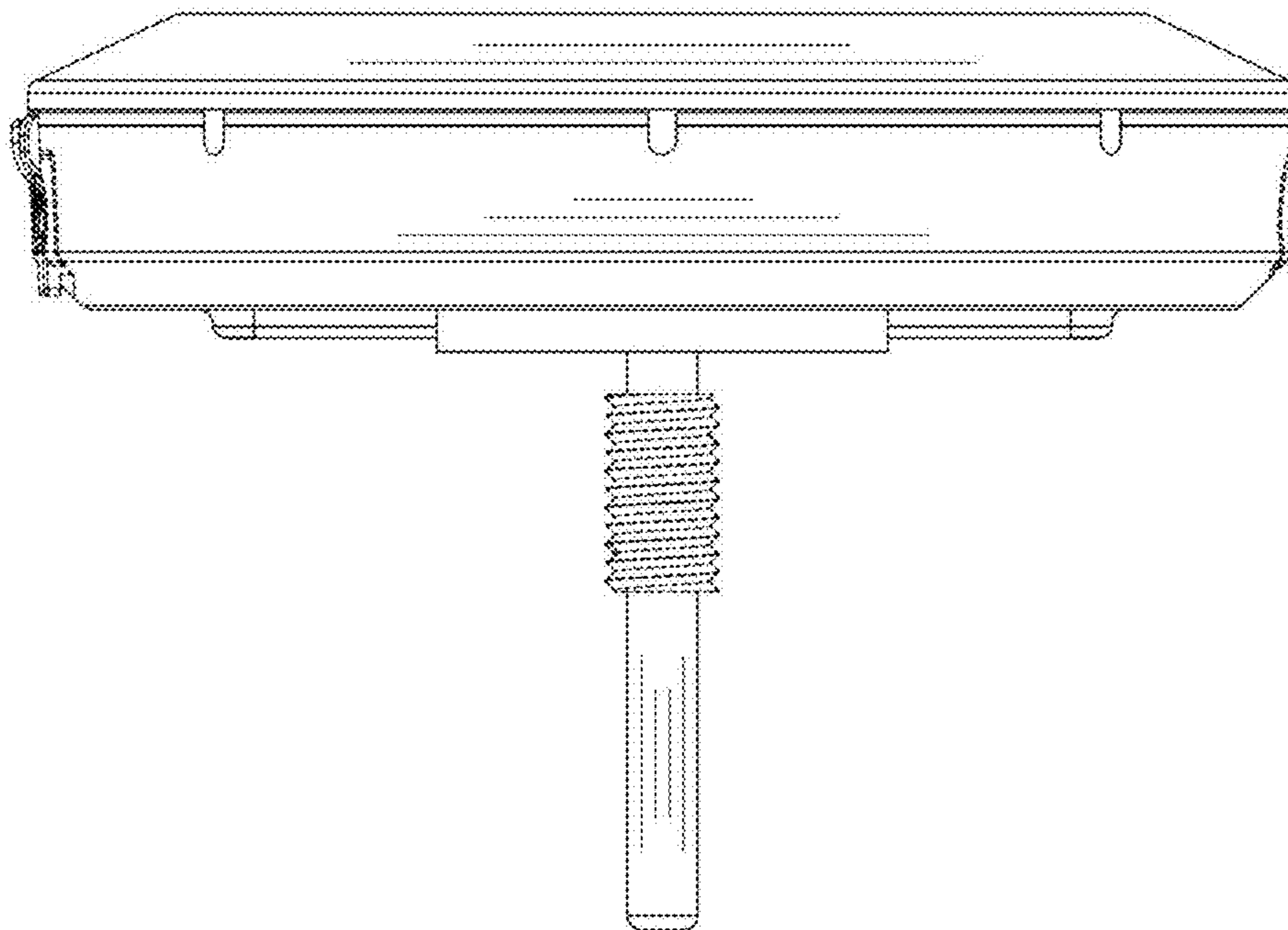


Fig. 2

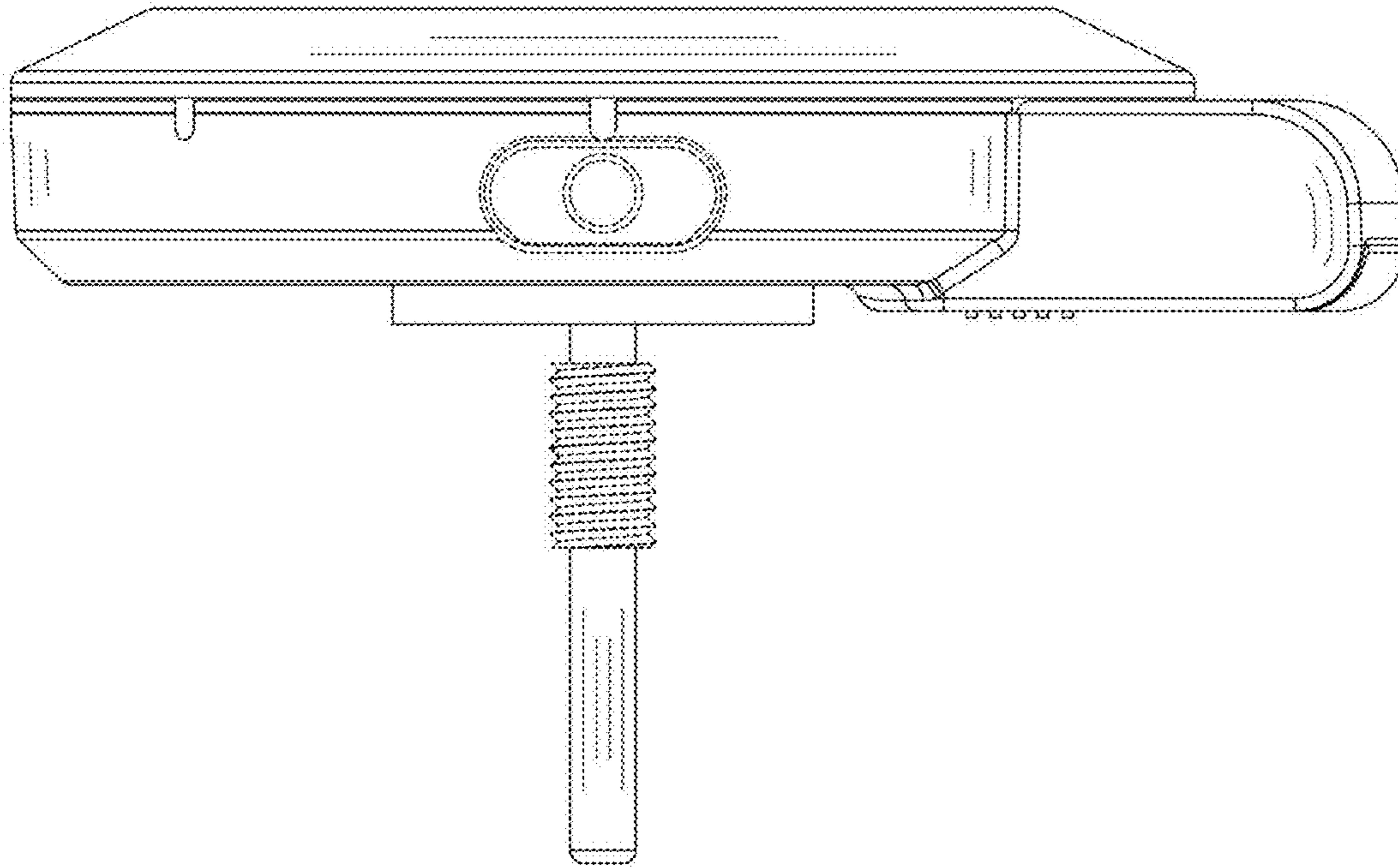


Fig. 3

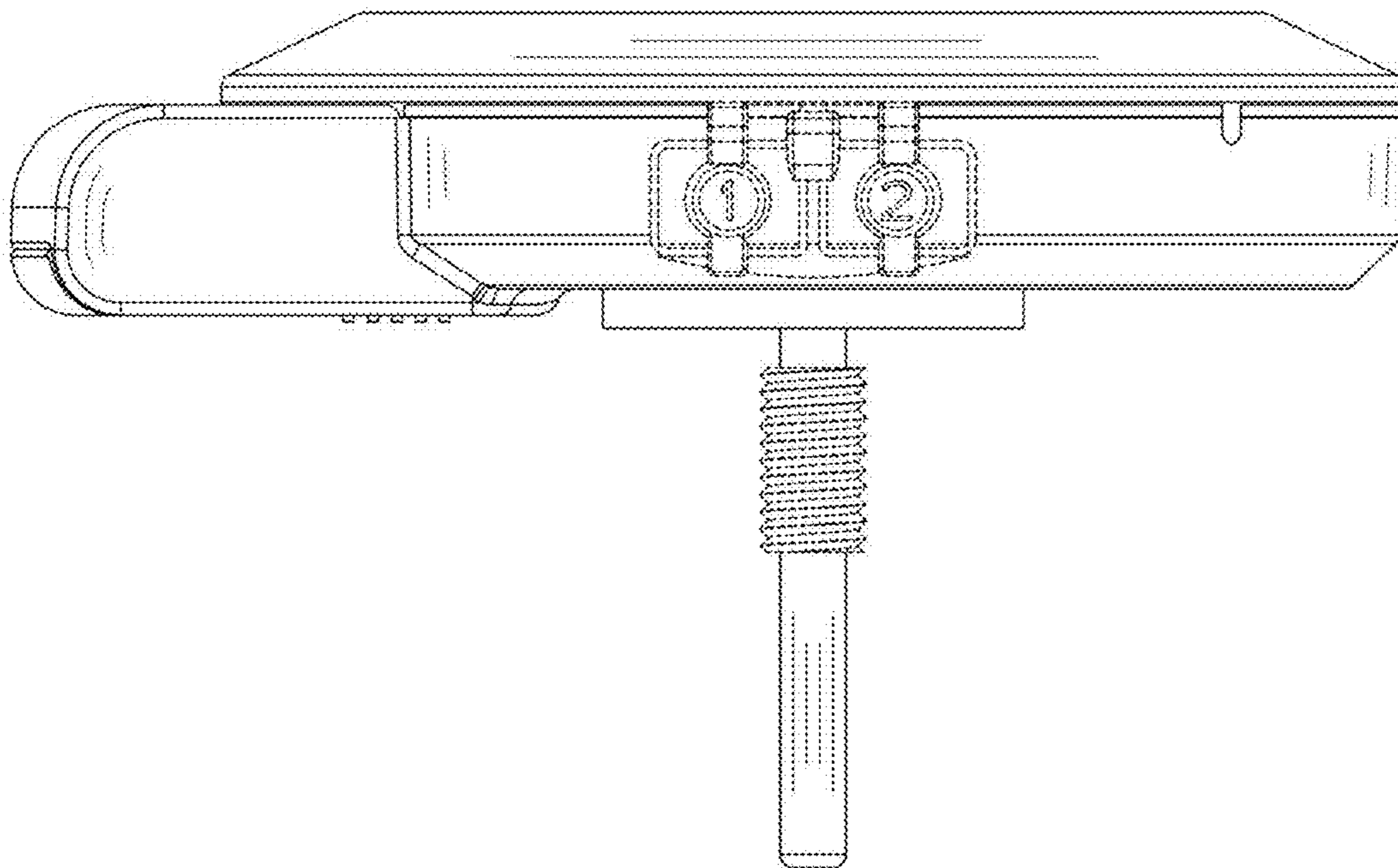


Fig. 4

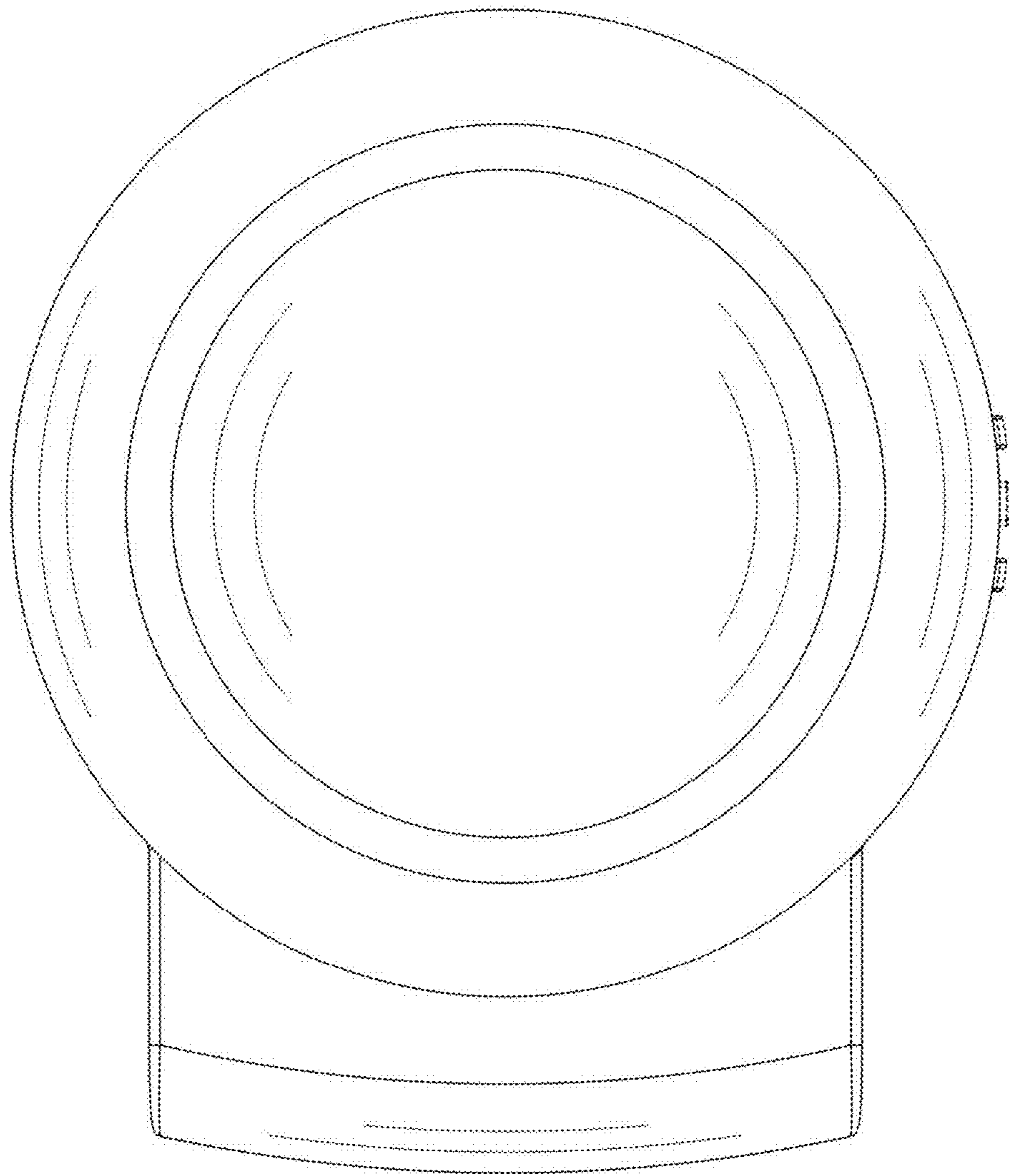


Fig. 5

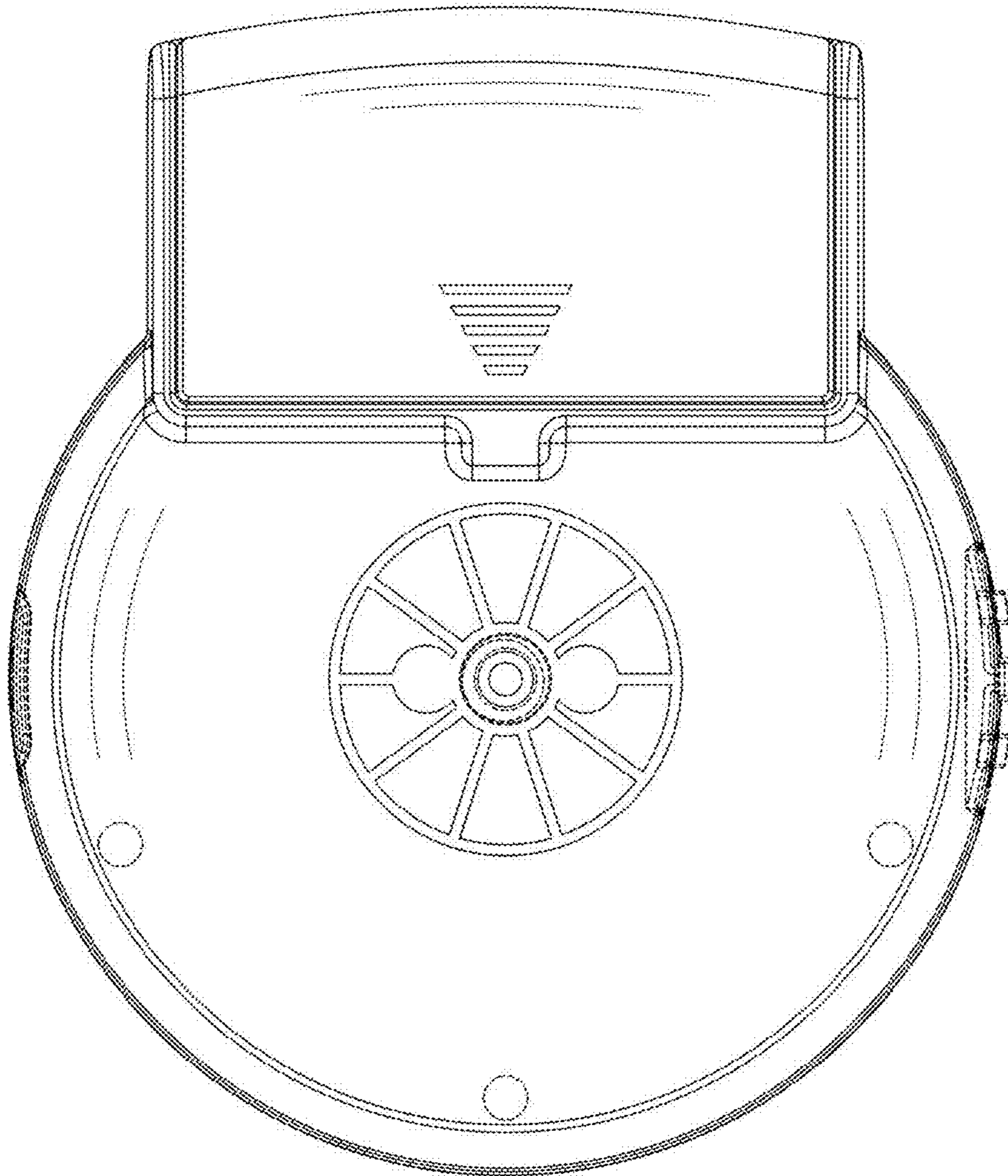


Fig. 6

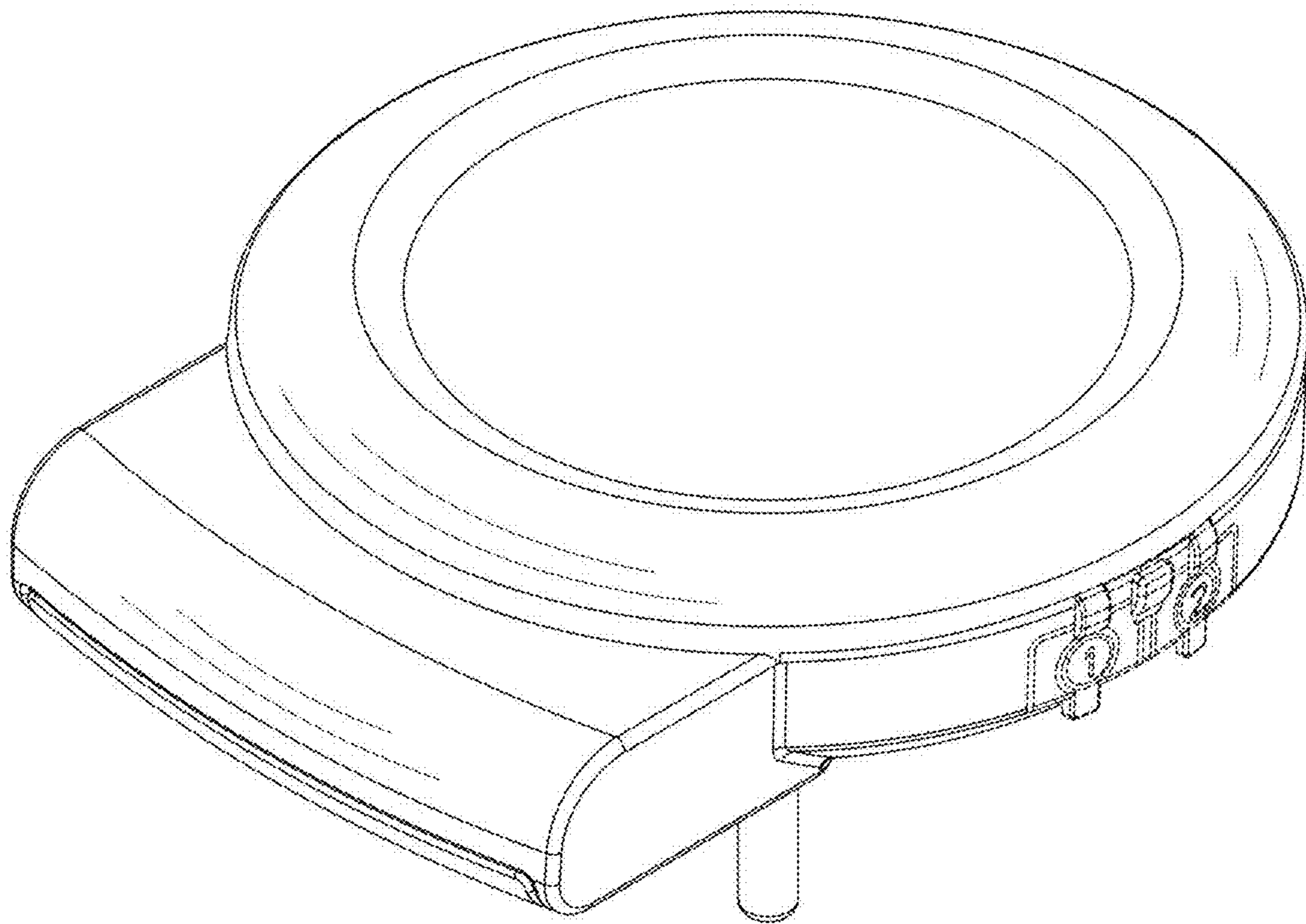


Fig. 7

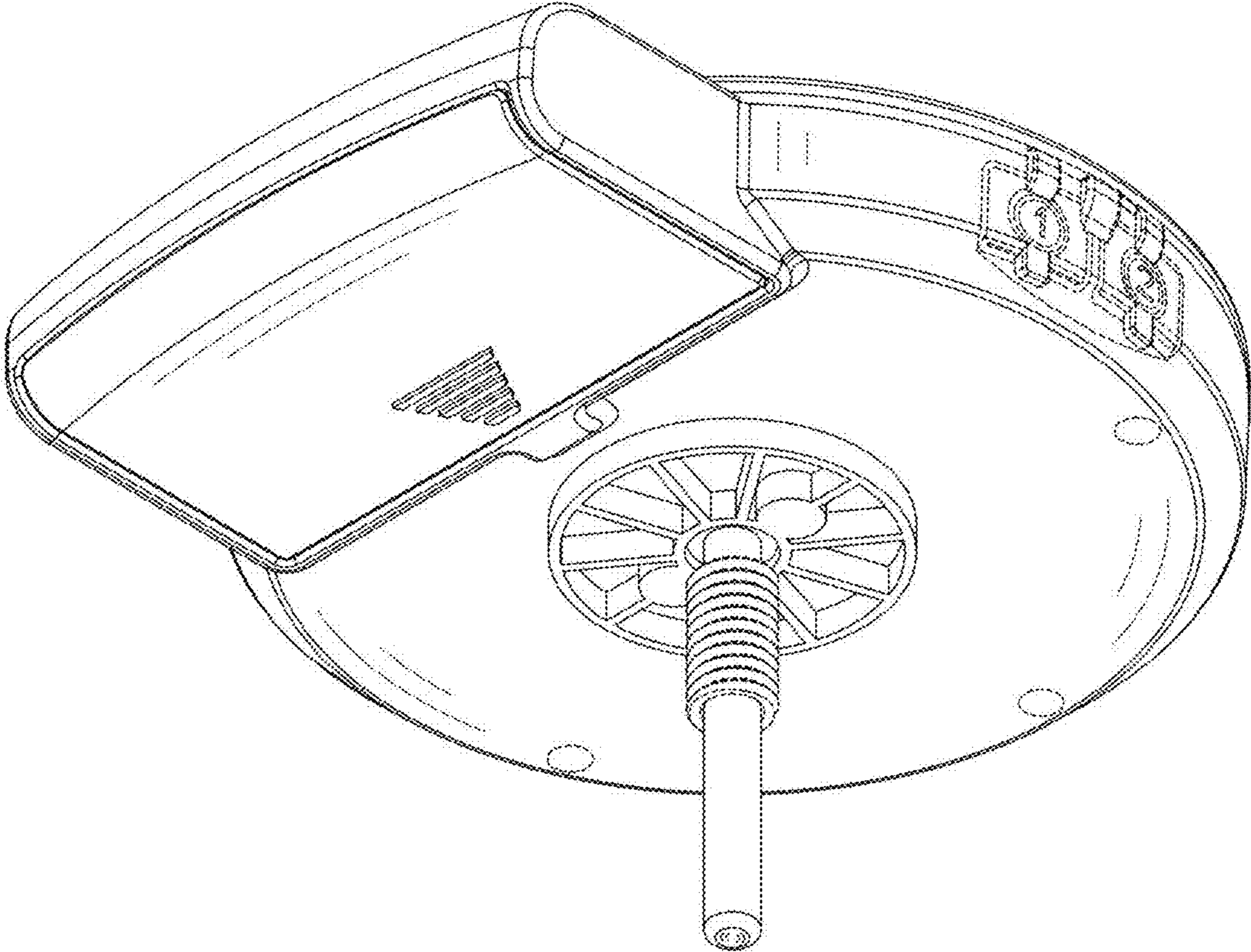


Fig. 8