

US00D896108S

(12) **United States Design Patent** (10) **Patent No.:** **US D896,108 S**
Yu (45) **Date of Patent:** **** Sep. 15, 2020**

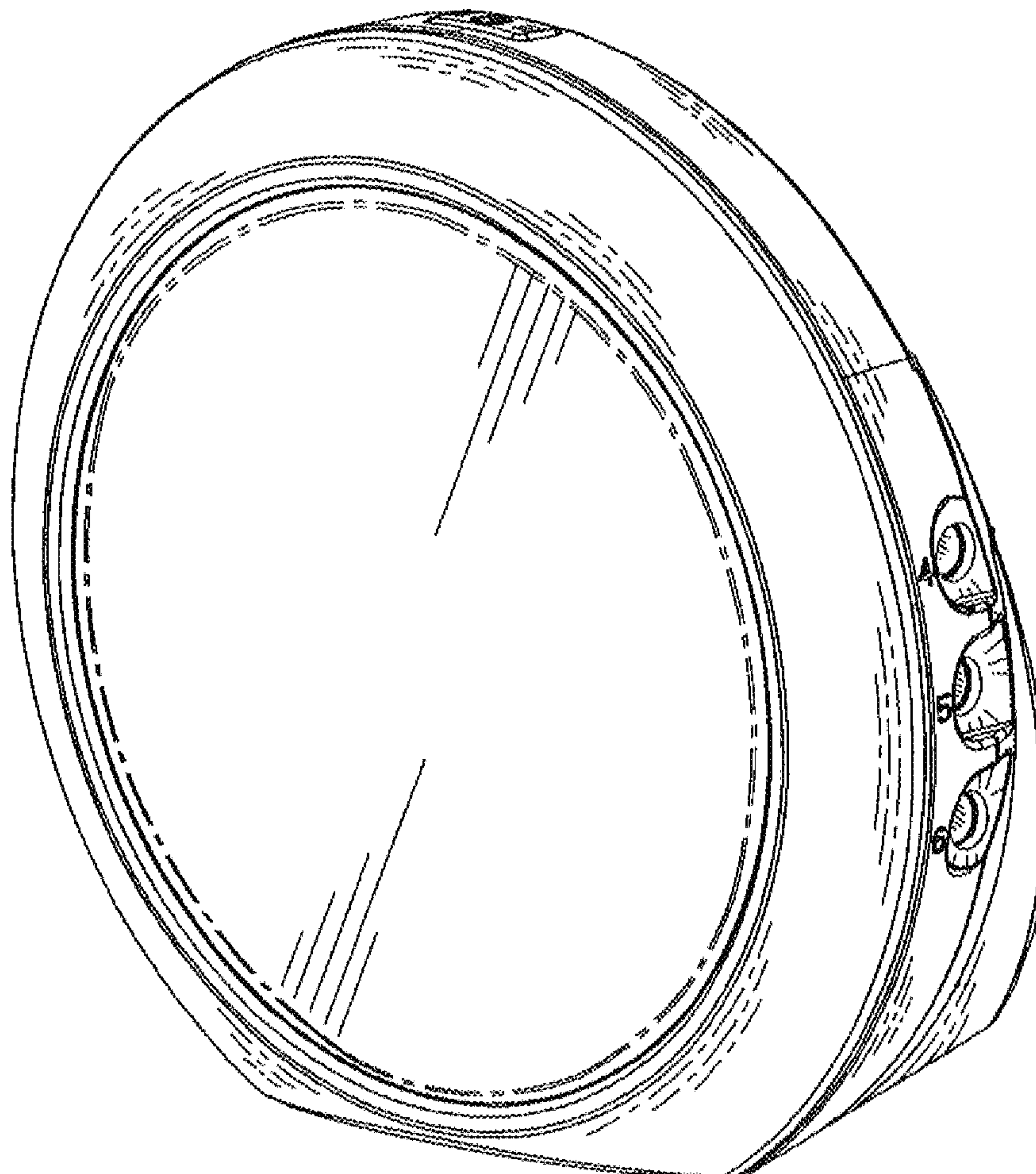
(54) **WIRELESS BARBECUE THERMOMETER**
(71) Applicant: **FUZHOU ESUN ELECTRONIC CO., LTD**, Fuzhou (CN)
(72) Inventor: **Guo Yu**, Fuzhou (CN)
(73) Assignee: **FUZHOU ESUN ELECTRONIC CO., LTD**, Fuzhou (CN)
(**) Term: **15 Years**
(21) Appl. No.: **29/680,965**
(22) Filed: **Feb. 21, 2019**
(30) **Foreign Application Priority Data**
Jan. 30, 2019 (CN) 2019 3 0052932
(51) **LOC (12) Cl.** **10-04**
(52) **U.S. Cl.**
USPC **D10/57**
(58) **Field of Classification Search**
USPC D10/57
CPC G01K 2207/02; G01K 2207/04; G01K 2207/06; G01K 2207/08
See application file for complete search history.

(56) **References Cited**
U.S. PATENT DOCUMENTS
D805,926 S * 12/2017 Im D10/57
D878,937 S * 3/2020 Du D10/57
* cited by examiner
Primary Examiner — Antoine Duval Davis
(74) *Attorney, Agent, or Firm* — Westbridge IP LLC

(57) **CLAIM**
The ornamental design for a wireless barbecue thermometer, as shown and described in the foregoing application.

DESCRIPTION
FIG. 1 is a perspective view of a wireless barbecue thermometer;
FIG. 2 is a front view thereof;
FIG. 3 is a rear view thereof;
FIG. 4 is a left view thereof;
FIG. 5 is a right view thereof;
FIG. 6 is a top view; and,
FIG. 7 is a bottom view.

1 Claim, 7 Drawing Sheets



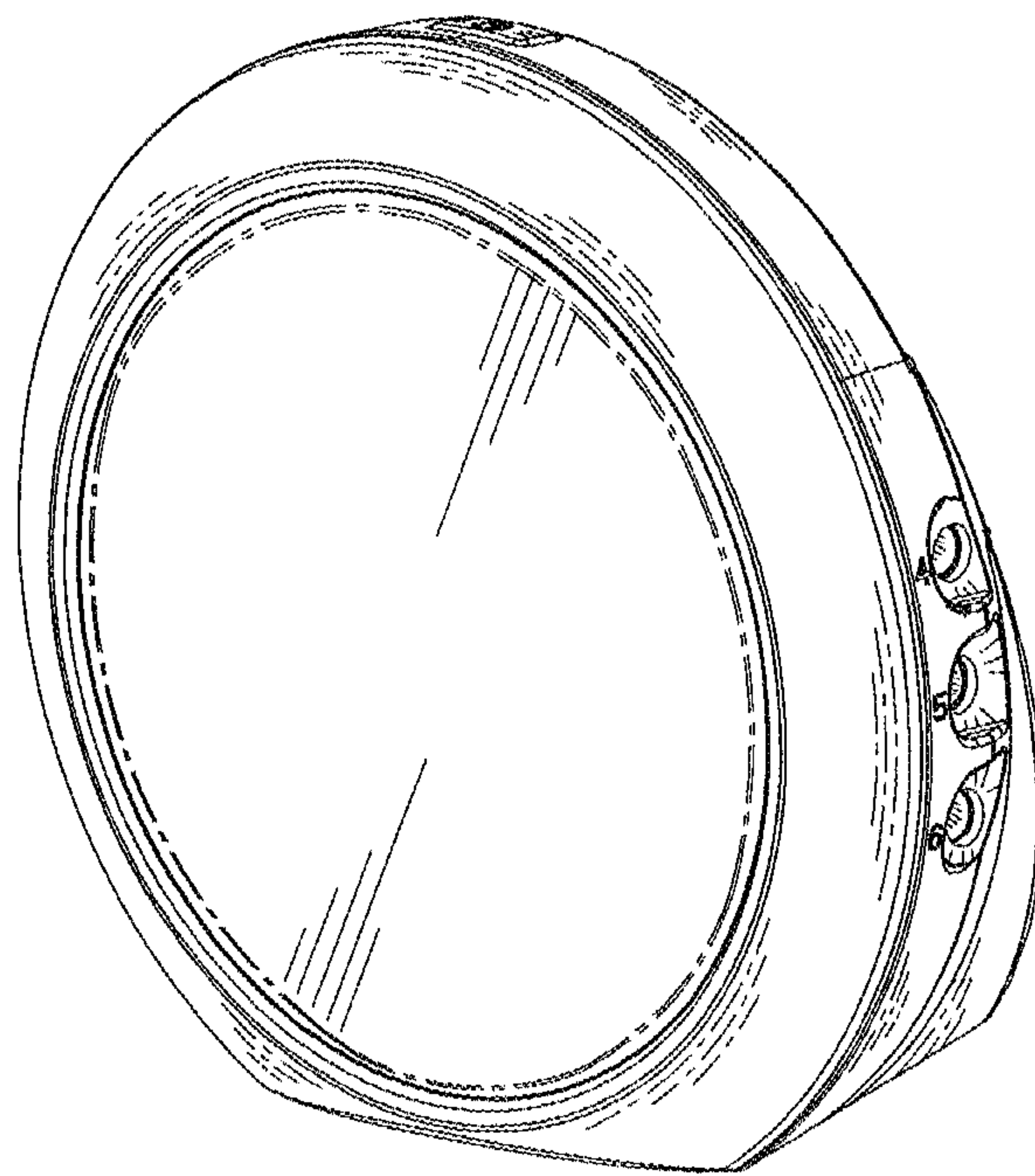


FIG. 1

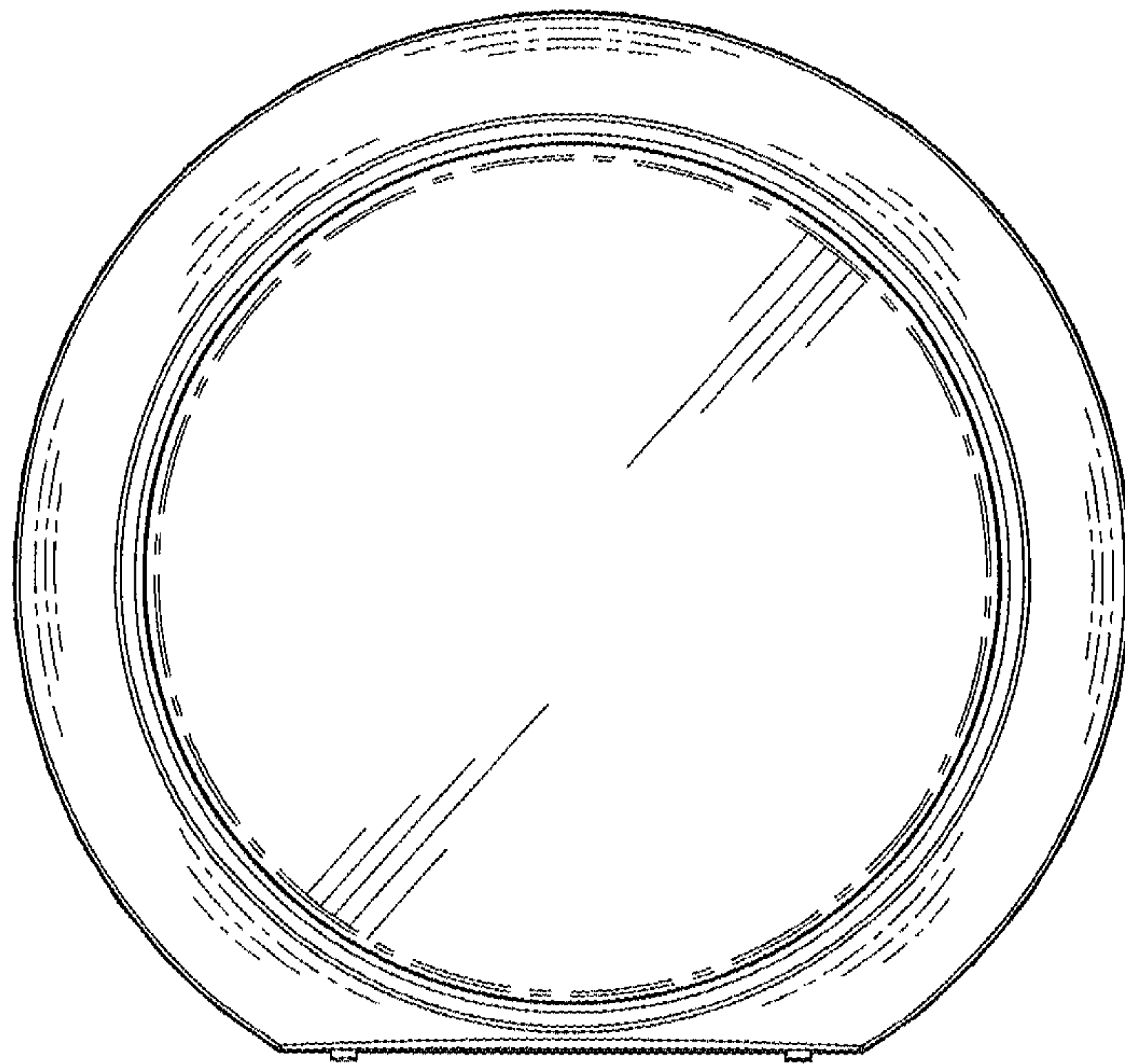


FIG. 2

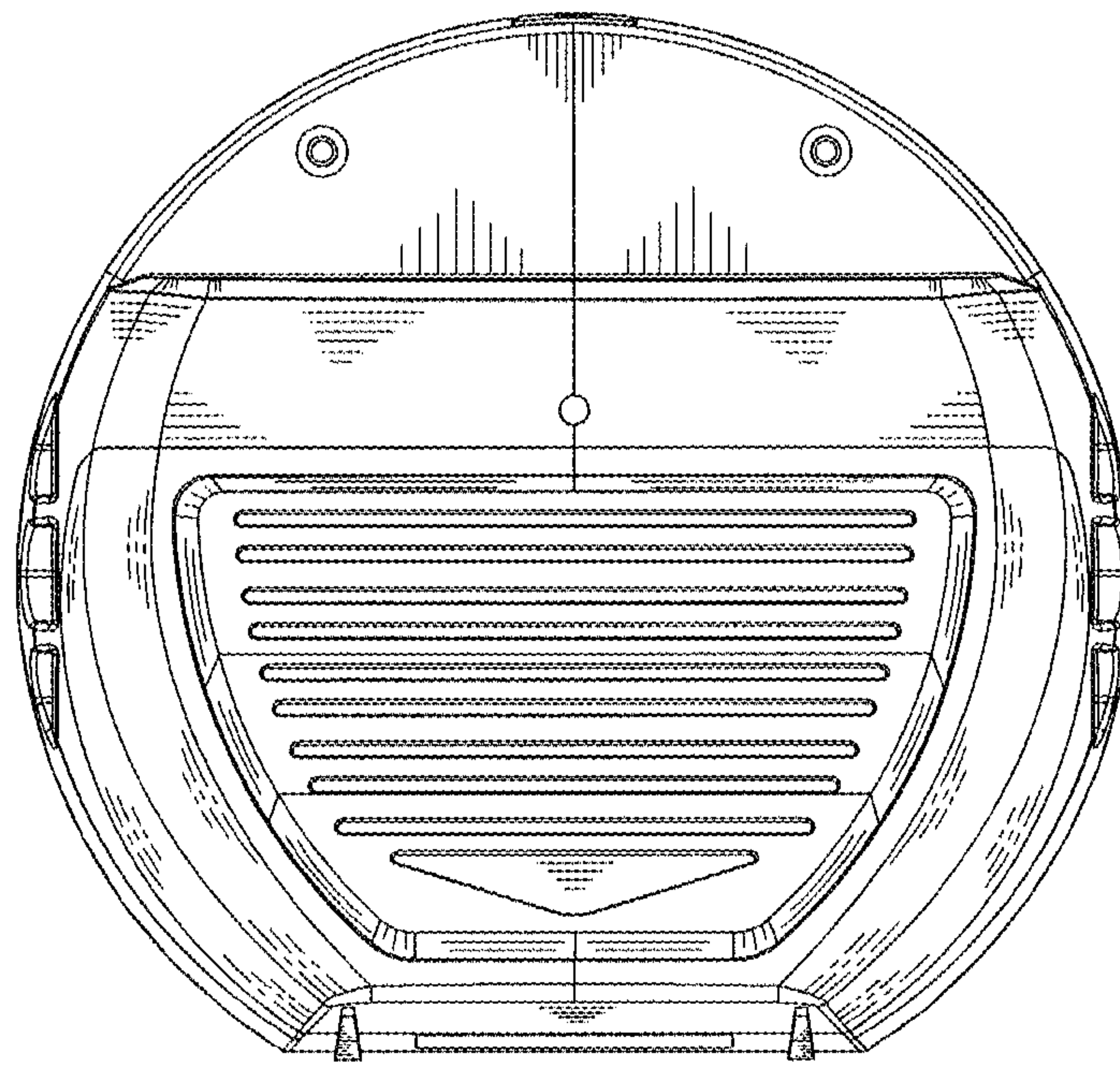


FIG. 3

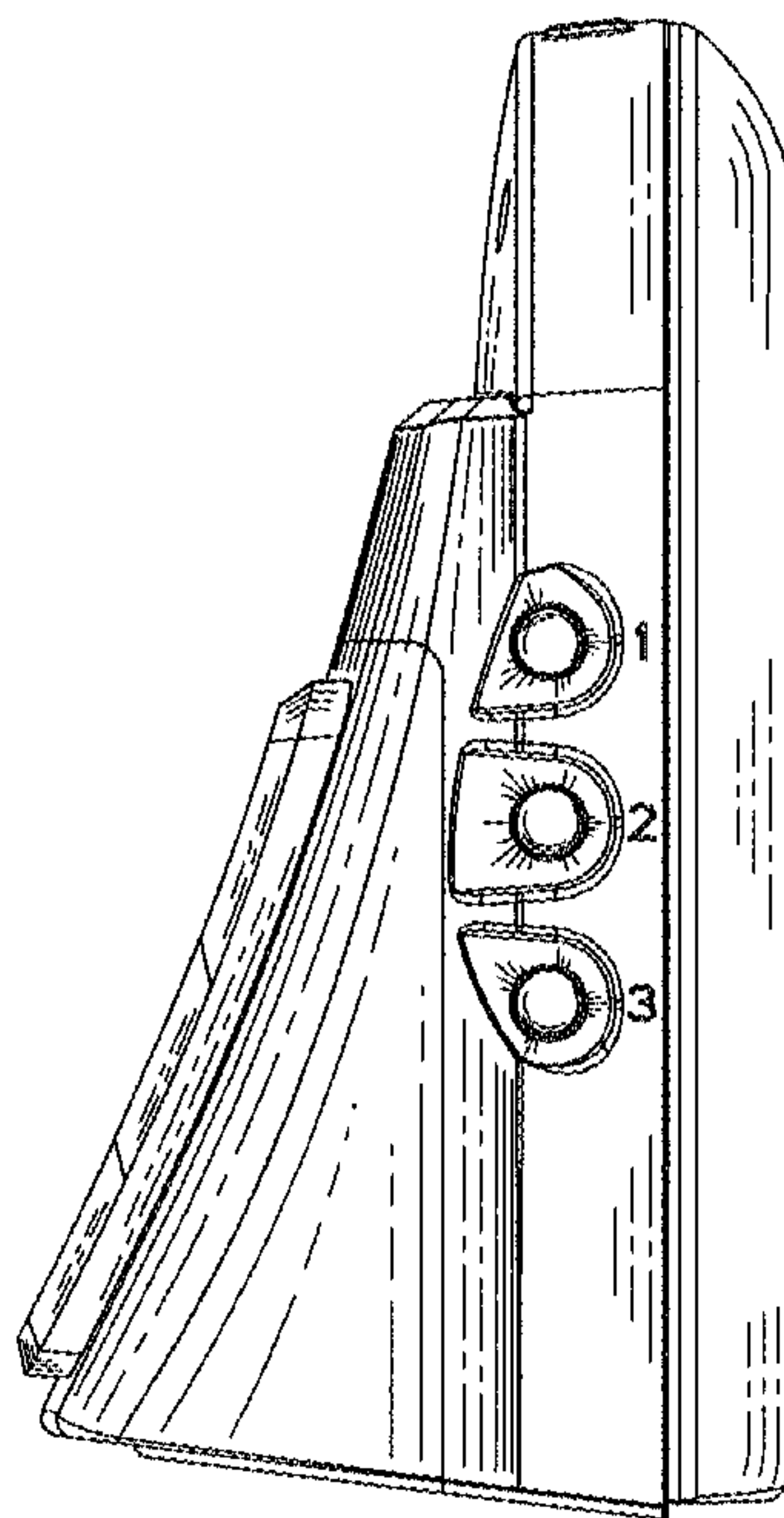


FIG. 4

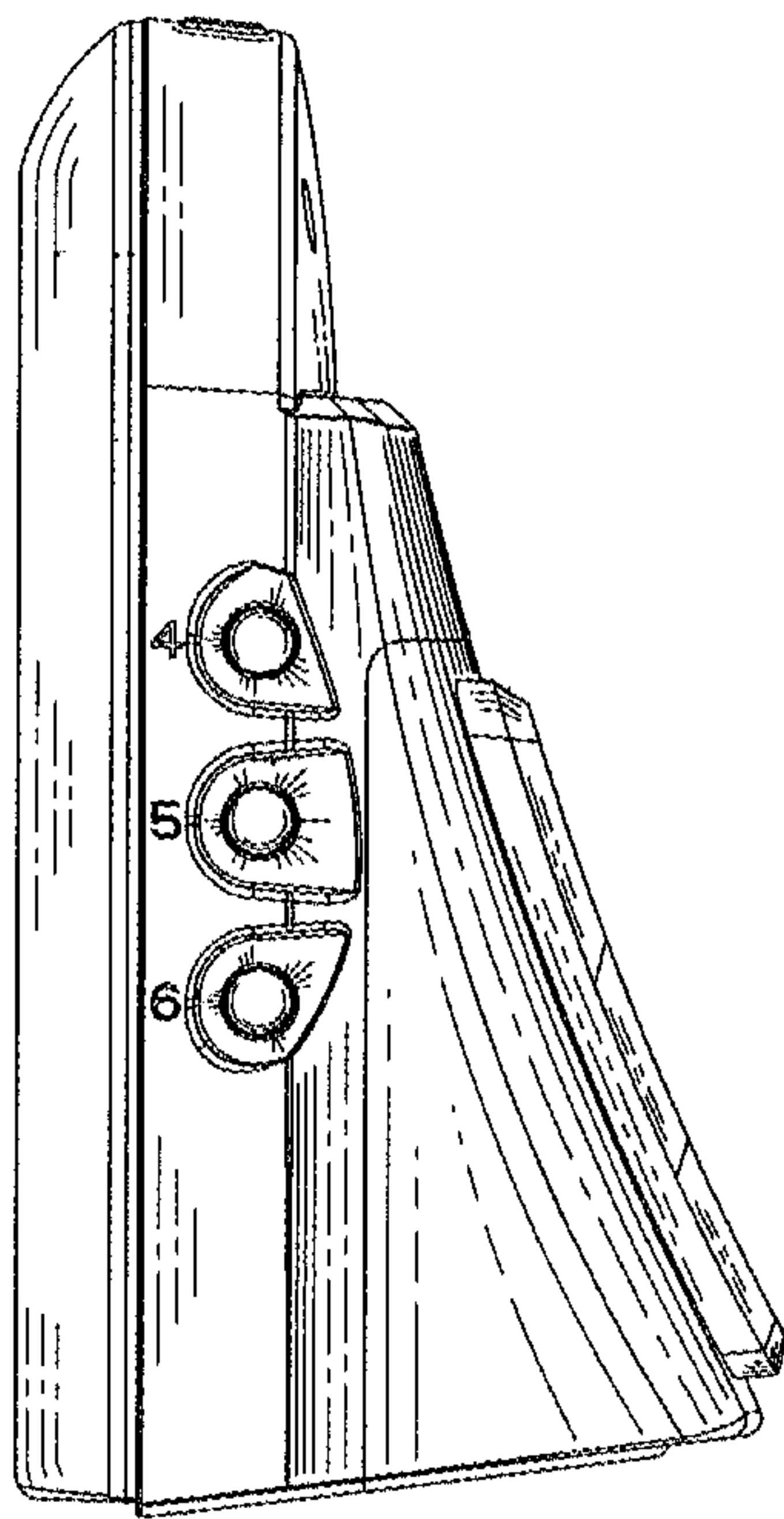


FIG. 5

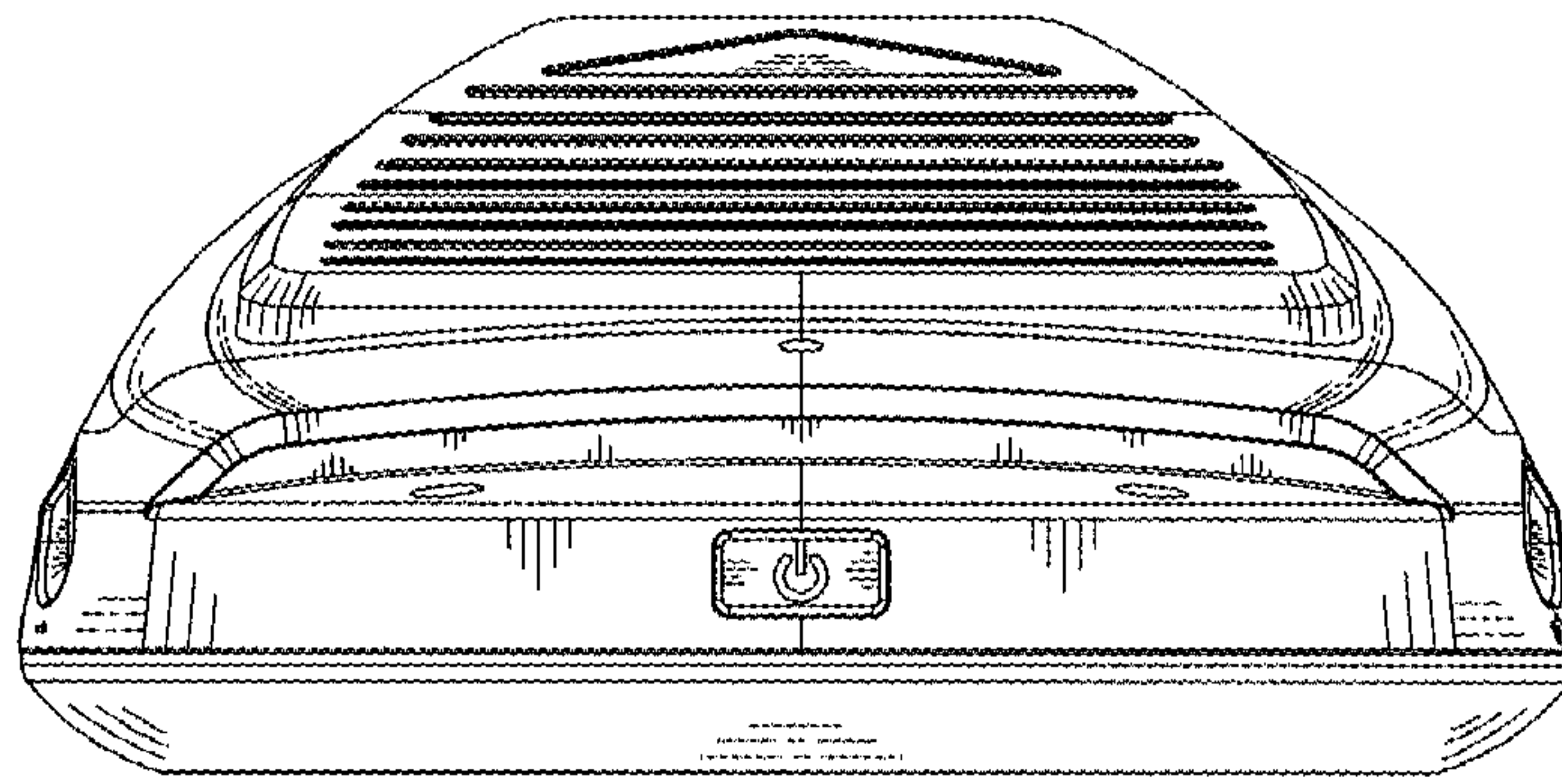


FIG. 6

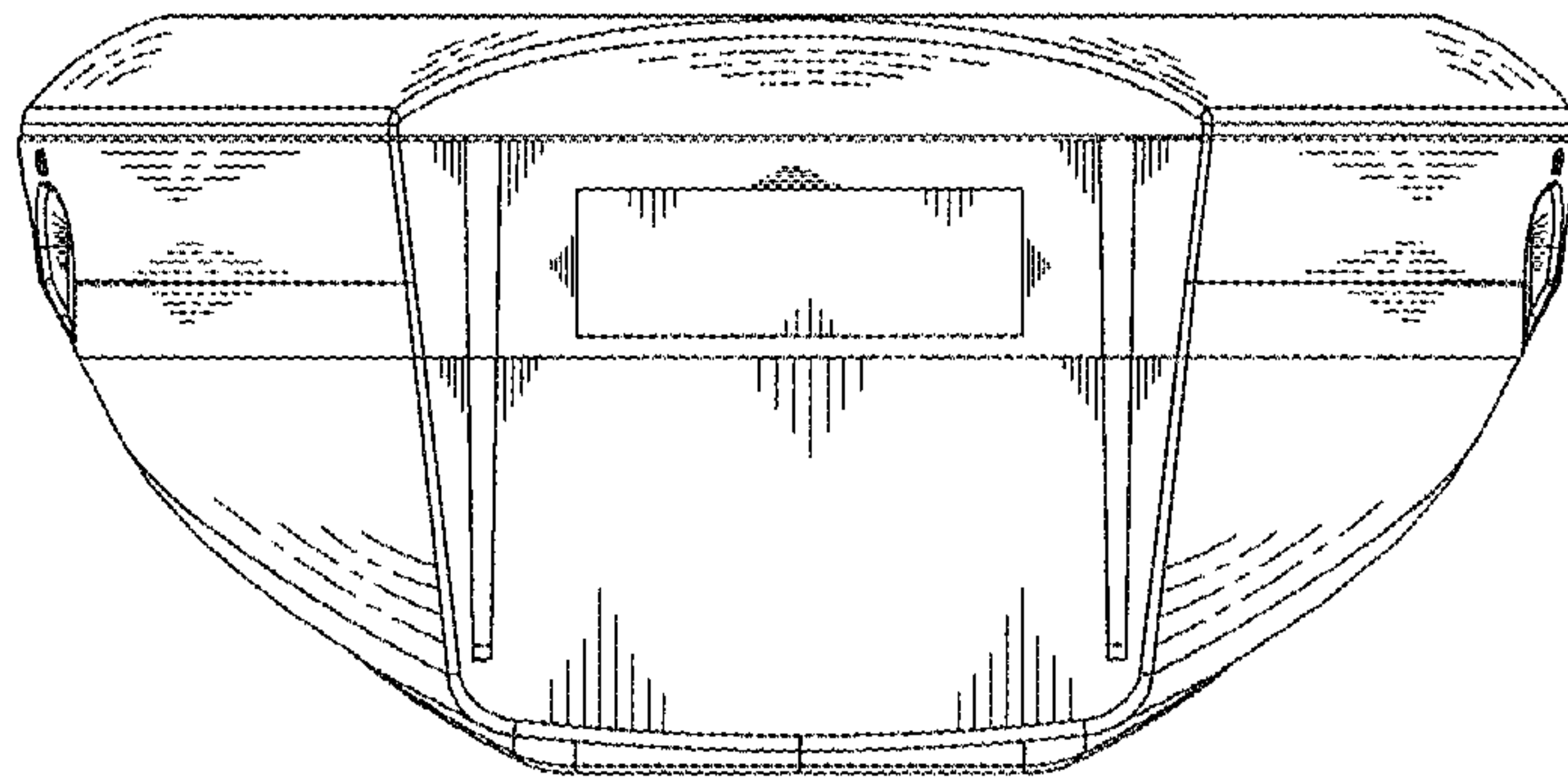


FIG. 7