



US00D896107S

(12) **United States Design Patent**
Bruneel

(10) **Patent No.:** **US D896,107 S**

(45) **Date of Patent:** **** Sep. 15, 2020**

(54) **THERMOMETER**

(71) Applicant: **Jean Julien Bruneel**, Kowloon (HK)

(72) Inventor: **Jean Julien Bruneel**, Kowloon (HK)

(**) Term: **15 Years**

(21) Appl. No.: **29/676,002**

(22) Filed: **Jan. 7, 2019**

(51) **LOC (12) Cl.** **10-04**

(52) **U.S. Cl.**

USPC **D10/57**

(58) **Field of Classification Search**

USPC D10/57

CPC G01J 5/04; G01J 5/041; G01J 5/042; G01J 5/043; G01J 5/044; G01J 5/045; G01J 5/046; G01J 5/047; G01J 5/048; G01J 5/049; G01J 5/0265; G01K 1/02; G01K 1/022; G01K 1/024; G01K 1/08; G01K 1/083; G01K 1/086; G01K 3/00-3/14; G01K 2003/145; G01K 13/002; G01K 13/004; G01K 2219/00; G01K 5/04-5/225; G01K 5/22; G01K 221/00

See application file for complete search history.

(56) **References Cited**

U.S. PATENT DOCUMENTS

D741,205 S * 10/2015 Lantzsch D10/57

D741,729 S * 10/2015 Lantzsch D10/57

D867,171 S * 11/2019 Dolgonosov D10/57

* cited by examiner

Primary Examiner — Antoine Duval Davis

(74) *Attorney, Agent, or Firm* — George G. Wang; Bei & Ocean

(57) **CLAIM**

The ornamental design for a thermometer, as shown and described.

DESCRIPTION

FIG. 1 is a front view of the thermometer of the present design;

FIG. 2 is a back view of the thermometer of the present design;

FIG. 3 is a left view of the thermometer of the present design;

FIG. 4 is a right side view of the thermometer of the present design;

FIG. 5 is a top view of the thermometer of the present design;

FIG. 6 is a bottom view of the thermometer of the present design;

FIG. 7 is a perspective view of the thermometer of the present design; and,

FIG. 8 is another perspective view of the thermometer of the present design.

The dash lines included, if any, depict the environment and are not part of the claimed design.

1 Claim, 8 Drawing Sheets

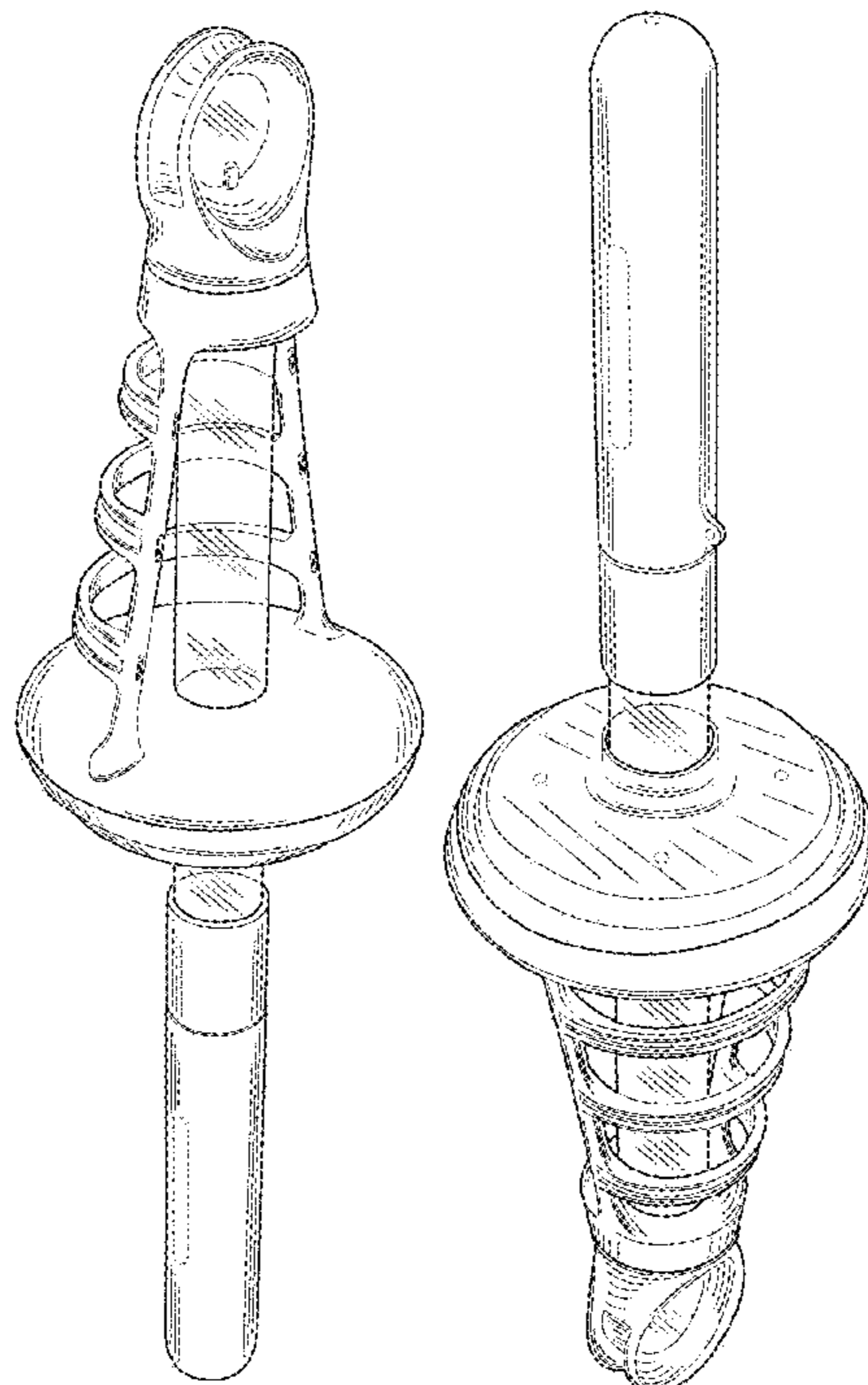


FIG. 1

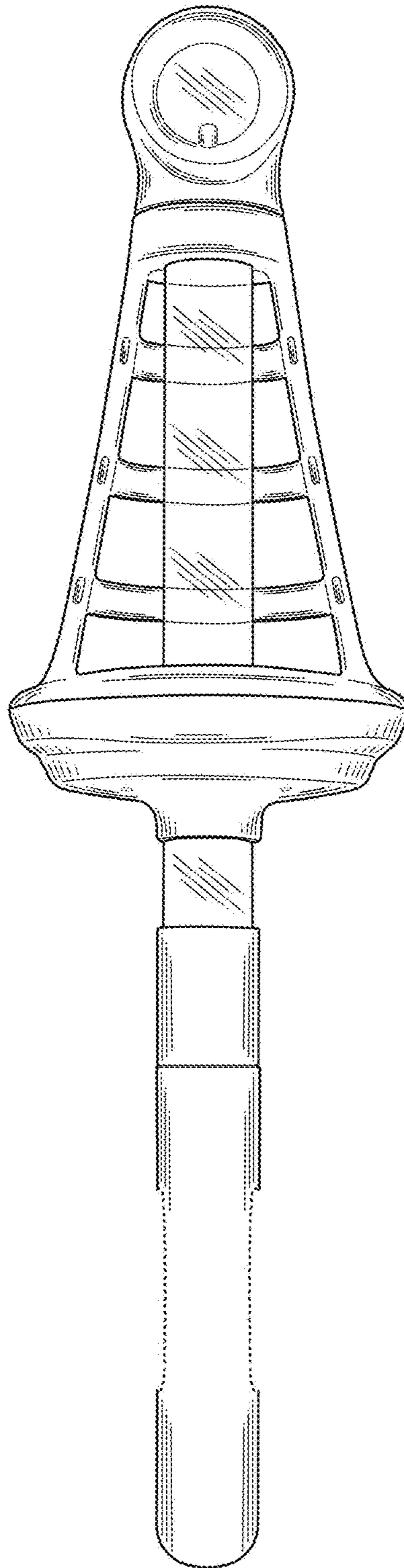


FIG. 2

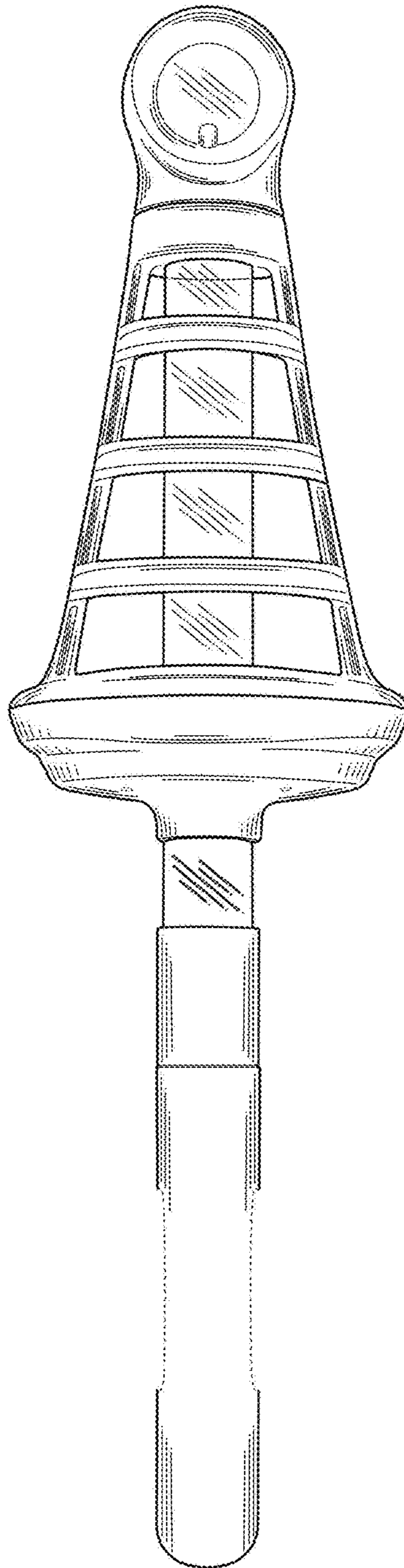


FIG. 3

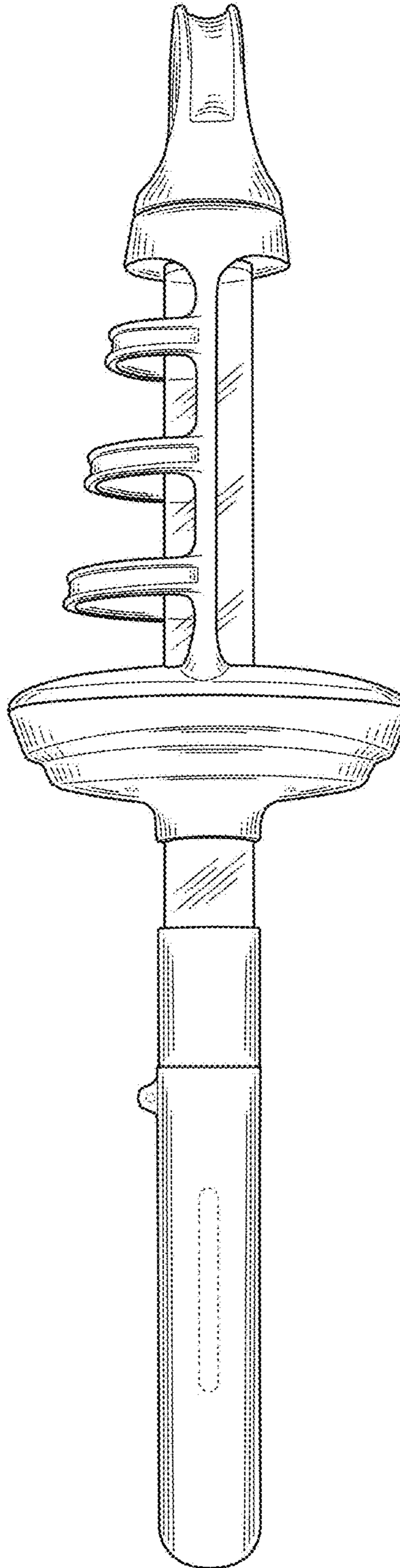


FIG. 4

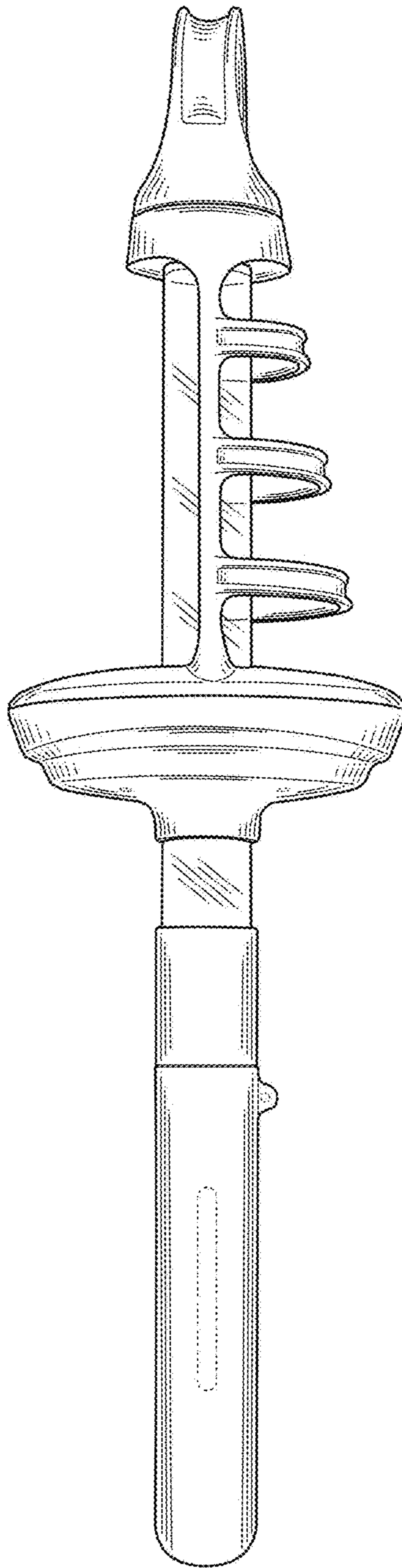


FIG. 5

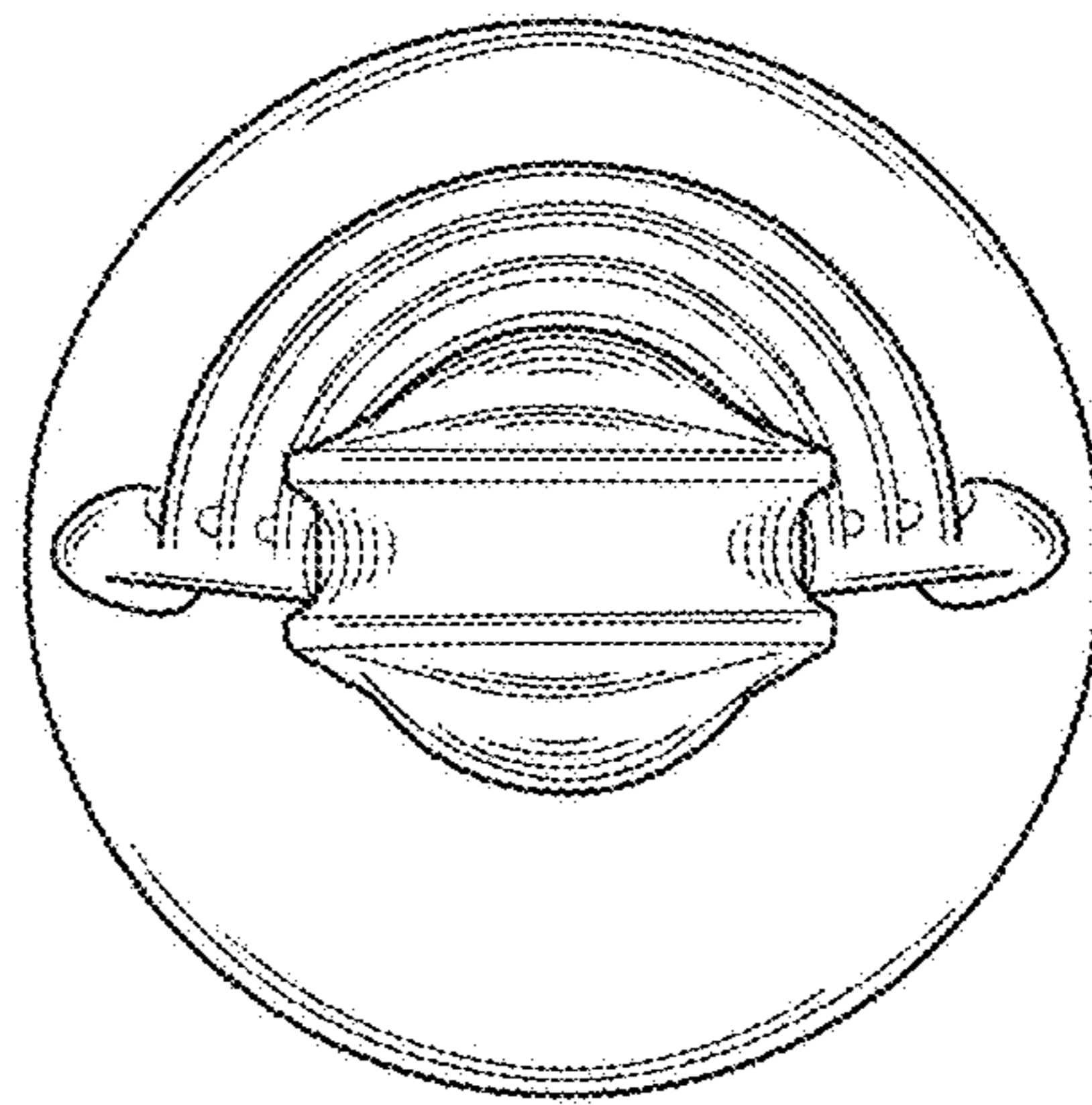


FIG. 6

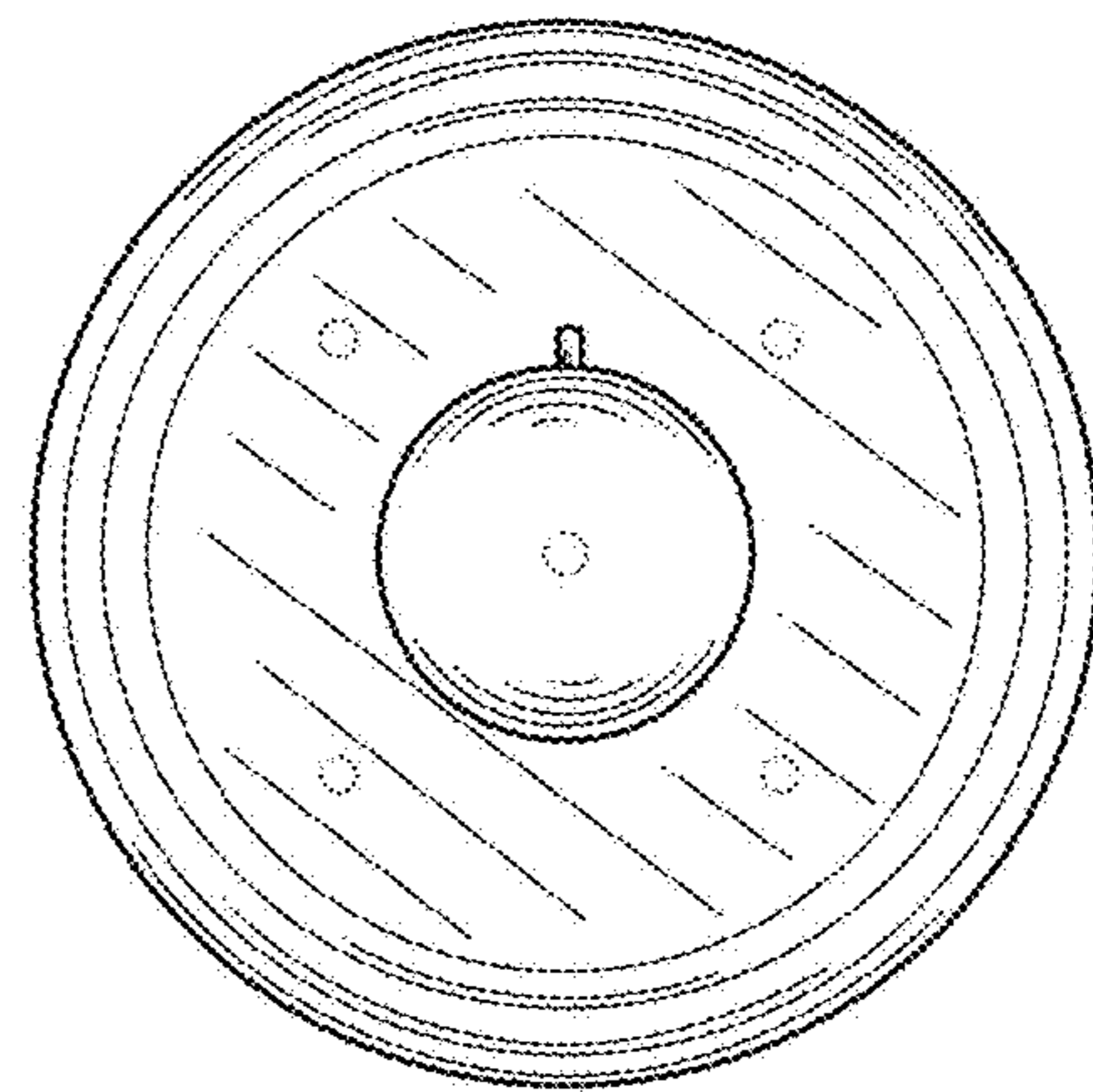


FIG. 7

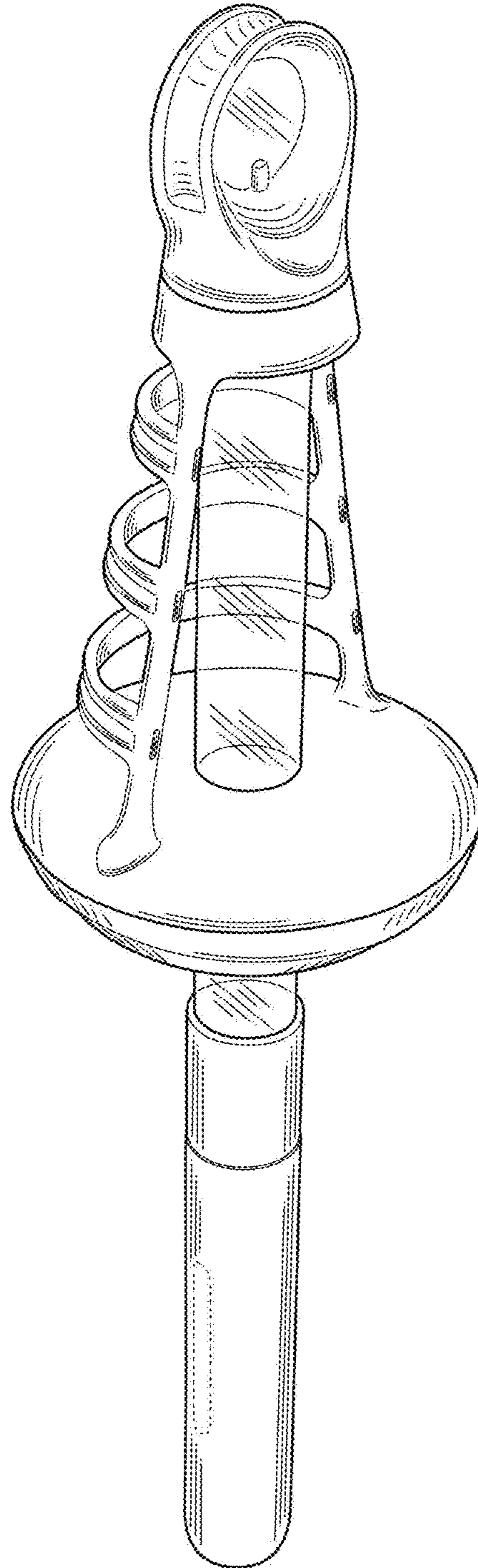


FIG. 8

