

US00D896103S

(12) **United States Design Patent** (10) **Patent No.:** **US D896,103 S**
Lee (45) **Date of Patent:** **** Sep. 15, 2020**

(54) **COSMETIC CONTAINER**

(71) Applicant: **PUM-TECH KOREA CO., LTD,**
Incheon (KR)

(72) Inventor: **Do Hoon Lee,** Incheon (KR)

(73) Assignee: **PUM-TECH KOREA CO., LTD,**
Incheon (KR)

(**) Term: **15 Years**

(21) Appl. No.: **29/681,767**

(22) Filed: **Feb. 27, 2019**

(30) **Foreign Application Priority Data**

Sep. 13, 2018 (KR) 30-2018-0042999

(51) **LOC (12) Cl.** **09-01**

(52) **U.S. Cl.**
USPC **D9/724**

(58) **Field of Classification Search**
USPC D9/442, 503, 695-699, 702-714,
D9/723-729; D24/199; D28/7;
132/317, 318, 320; 222/95, 207, 212,
222/335

CPC A45D 34/00; A45D 40/00; B65D 81/3272
See application file for complete search history.

(56) **References Cited**

U.S. PATENT DOCUMENTS

D675,485 S * 2/2013 Frank D7/629
D692,319 S * 10/2013 Moreau D9/724

D726,552 S * 4/2015 Awdeh D9/724
D726,553 S * 4/2015 Koptis D9/724
D732,400 S * 6/2015 Hua D9/724
D742,019 S * 10/2015 Montgomery D24/197
D778,174 S * 2/2017 Zhang D9/724
2003/0183596 A1* 10/2003 Lombardo A61J 9/04
215/11.5

* cited by examiner

Primary Examiner — Janice Patyk

(74) *Attorney, Agent, or Firm* — Heedong Chae; Lucem,
PC

(57) **CLAIM**

The ornamental design for a cosmetic container, as shown
and described.

DESCRIPTION

FIG. 1 is a perspective view of the Cosmetic container
showing my new design;
FIG. 2 is a front elevational view thereof;
FIG. 3 is a rear elevational view thereof;
FIG. 4 is a left side view thereof;
FIG. 5 is a right side view thereof;
FIG. 6 is a top plan view thereof;
FIG. 7 is a bottom plan view thereof; and,
FIG. 8 is an exploded perspective view thereof.

1 Claim, 7 Drawing Sheets

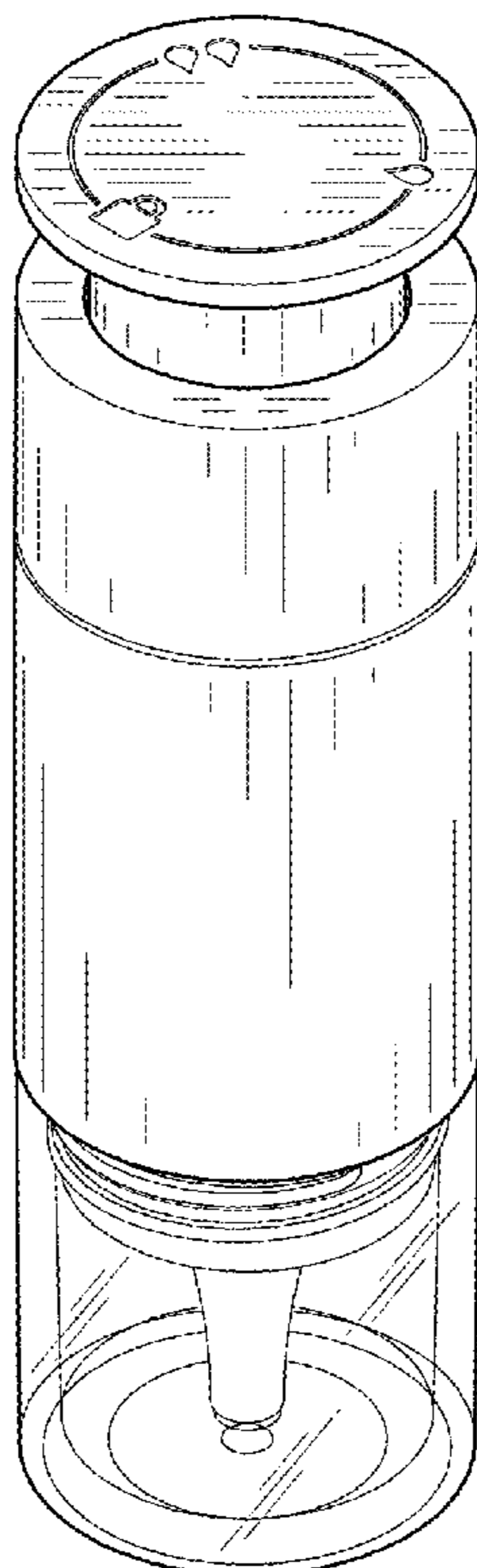


FIG. 1

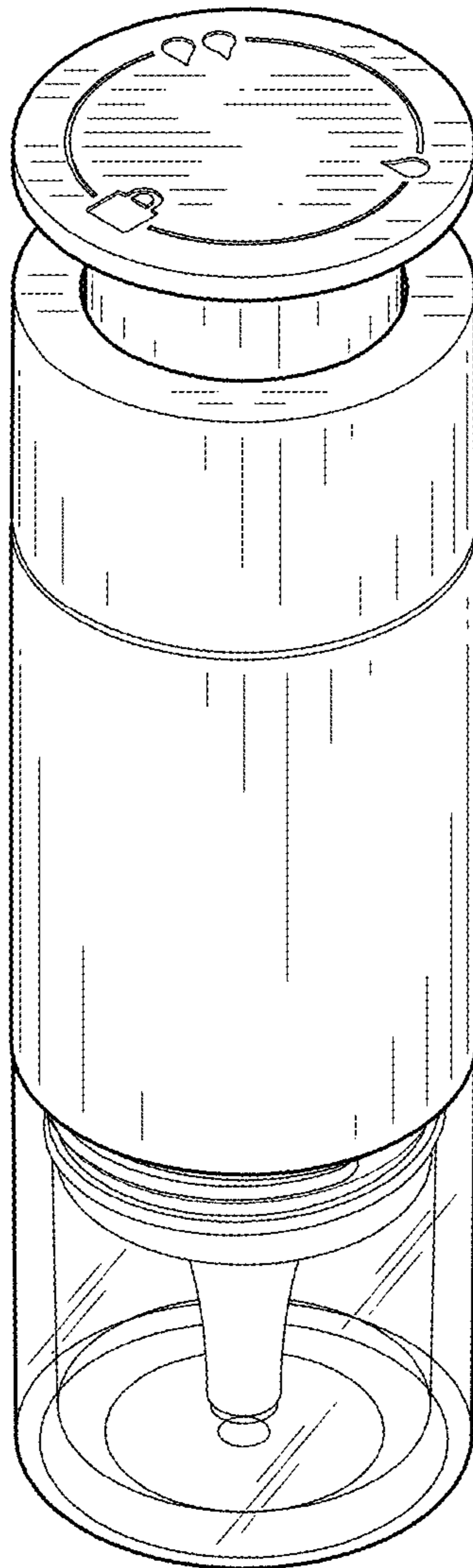


FIG. 2

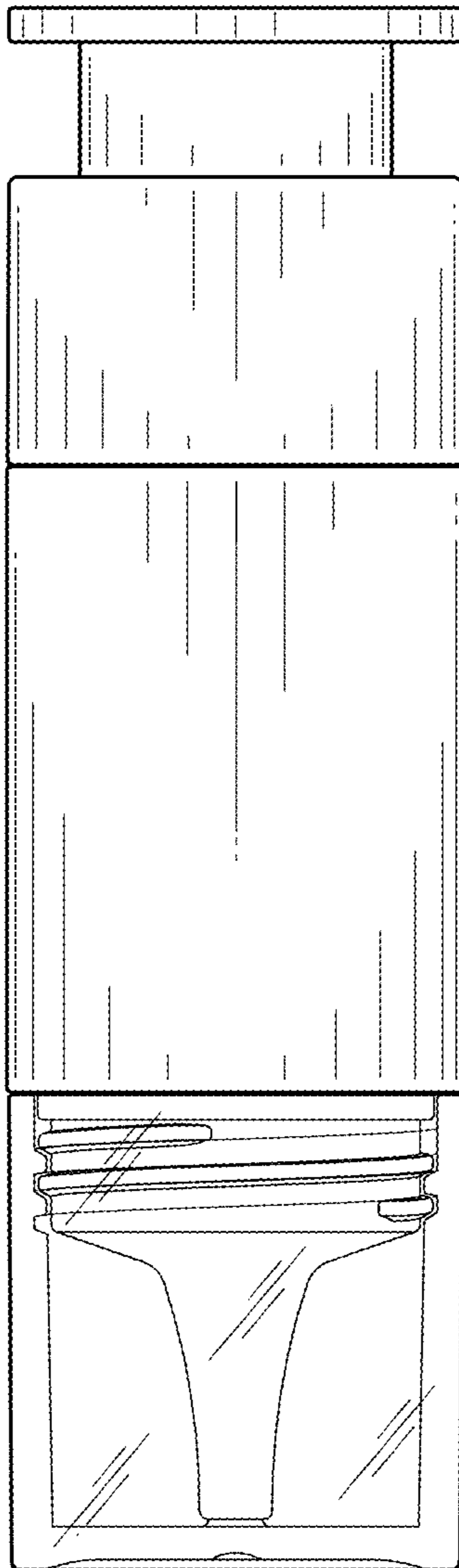


FIG. 3

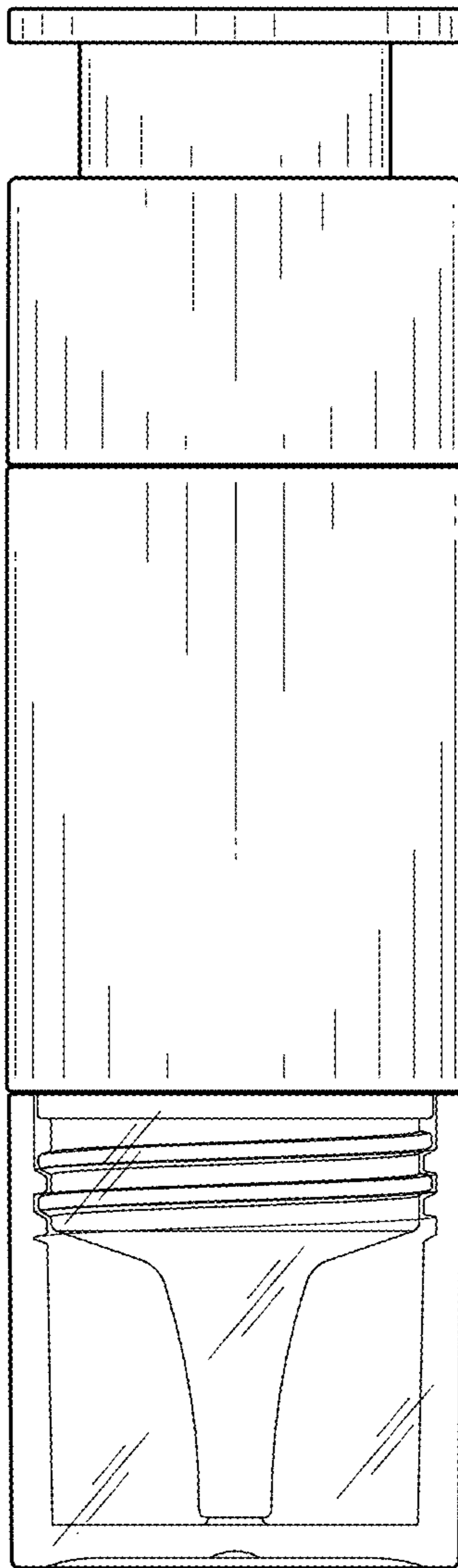


FIG. 4

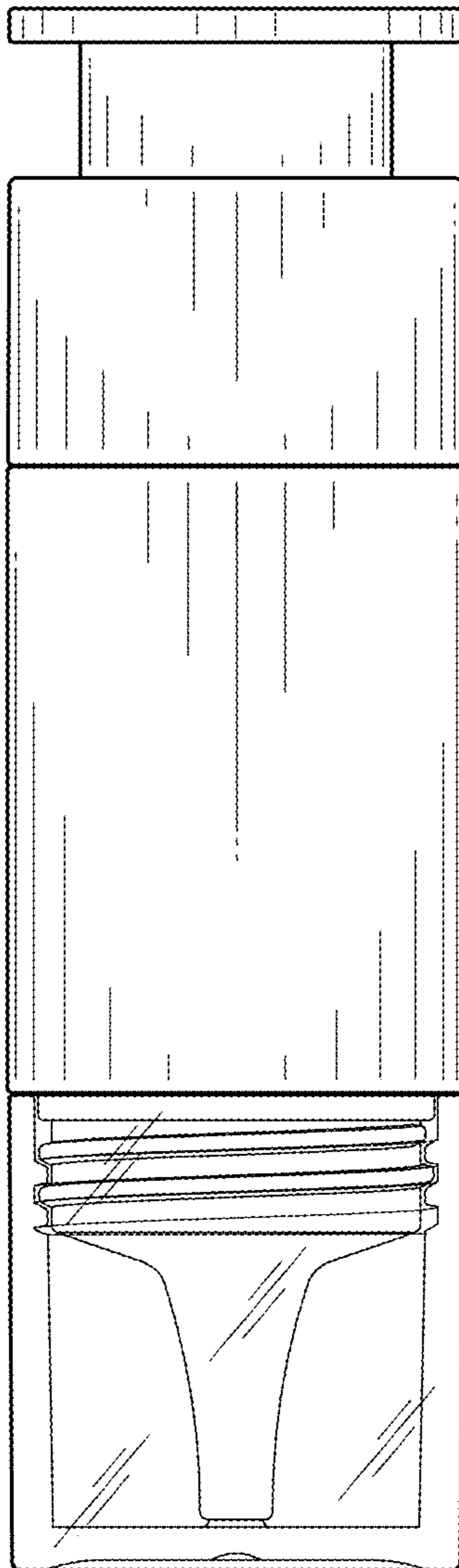


FIG. 5

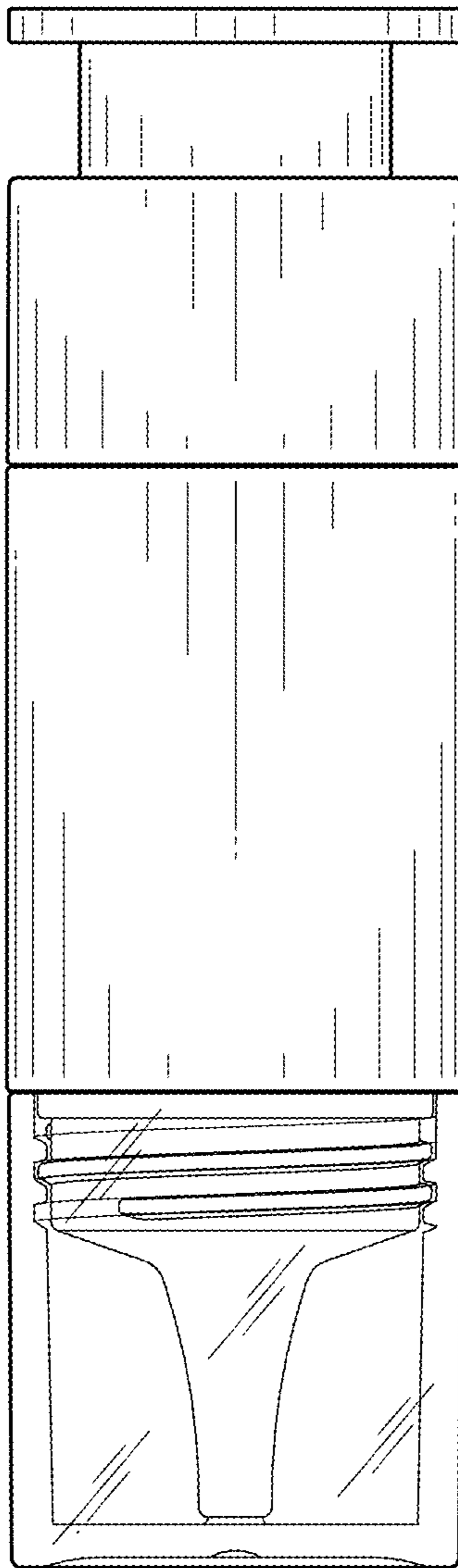


FIG. 6

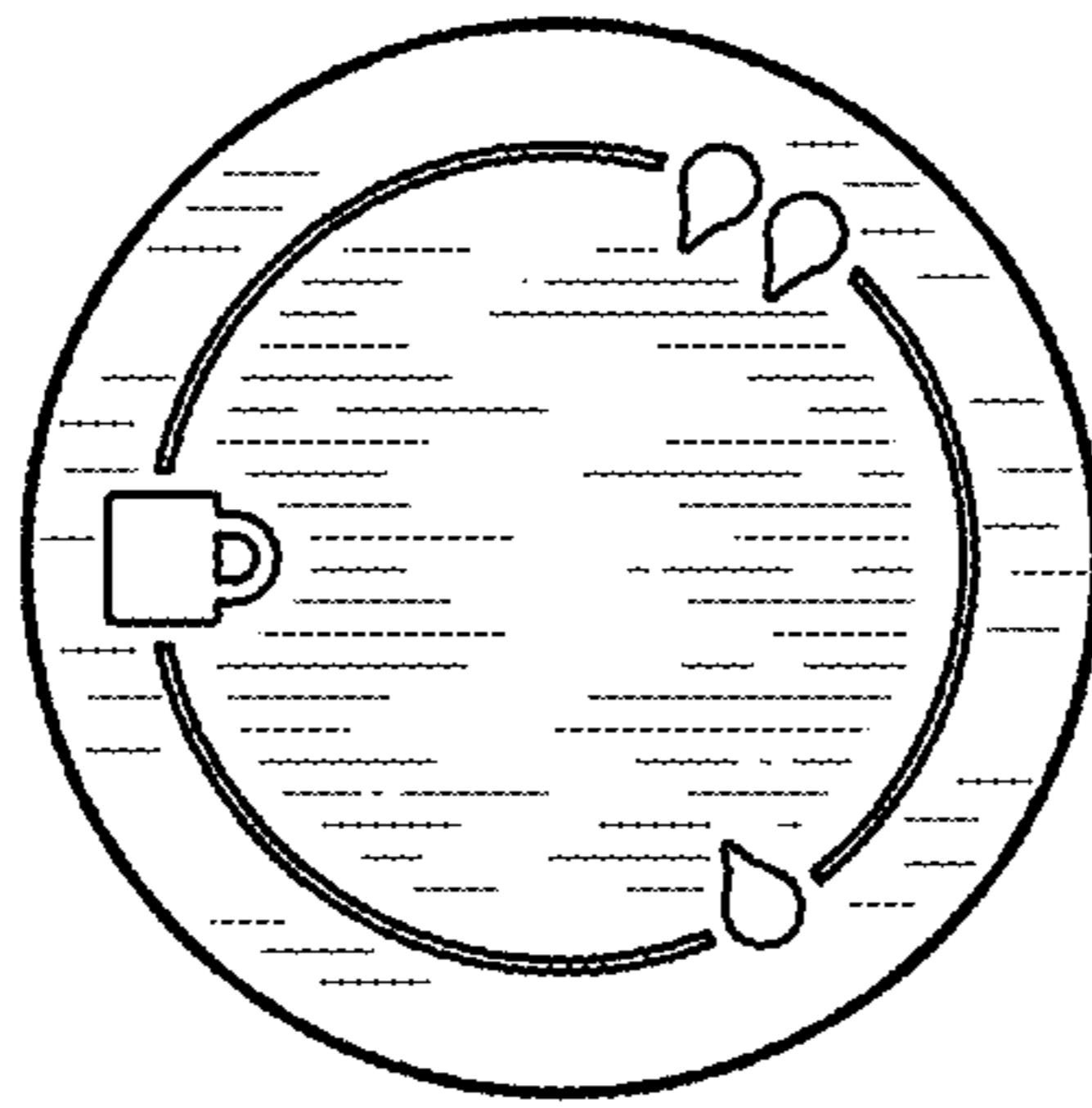


FIG. 7

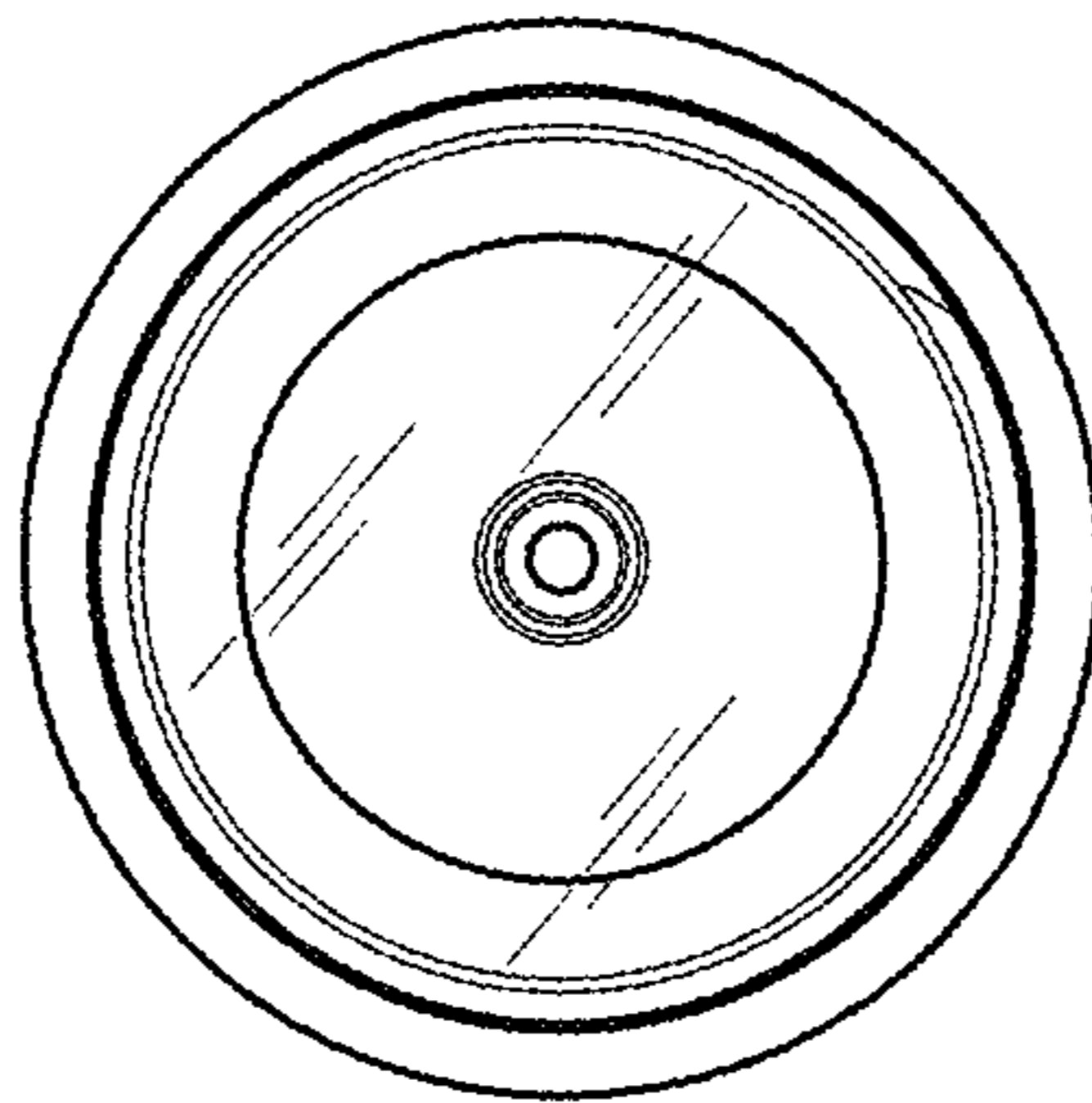


FIG. 8

