



US00D896102S

(12) **United States Design Patent**
Roesler

(10) **Patent No.:** **US D896,102 S**
(45) **Date of Patent:** **** Sep. 15, 2020**

(54) **PACKAGING CONTAINER**
(71) Applicant: **Thiemo Roesler**, Wangen-Neuravensburg (DE)
(72) Inventor: **Thiemo Roesler**, Wangen-Neuravensburg (DE)
(73) Assignee: **ROESLER IP GMBH** (DE)
(**) Term: **15 Years**
(21) Appl. No.: **29/690,103**
(22) Filed: **May 6, 2019**

5,056,179 A * 10/1991 Capponi A45D 40/20
132/218
6,241,161 B1 * 6/2001 Corbett A01M 31/008
222/187
8,267,911 B2 * 9/2012 Gallogly A61B 5/15003
604/403
D705,868 S * 5/2014 Harrison D19/204
D730,746 S * 6/2015 Cywinski D9/711
D746,377 S * 12/2015 Au D19/117
D801,814 S * 11/2017 Liu D9/502
D840,837 S * 2/2019 Woods D9/711
2015/0076140 A1 * 3/2015 Roesler B65D 21/086
220/4.01
2019/0233165 A1 * 8/2019 Hadar B65D 21/086
2020/0102123 A1 * 4/2020 Chernov B65D 35/14

* cited by examiner

(30) **Foreign Application Priority Data**

Nov. 5, 2018 (EM) 005816329

(51) **LOC (12) Cl.** **09-05**
(52) **U.S. Cl.**
USPC **D9/711**
(58) **Field of Classification Search**
USPC D9/414, 424, 430, 502, 711, 730;
D28/76, 77
CPC B65D 47/06; B65D 21/086; B65D 21/062;
B65D 21/066; B65D 47/243; B65D 33/04
See application file for complete search history.

Primary Examiner — Lauren R Calve
(74) *Attorney, Agent, or Firm* — Dentons Cohen & Grigsby P.C.

(57) **CLAIM**

The ornamental design for a packaging container, as shown.

DESCRIPTION

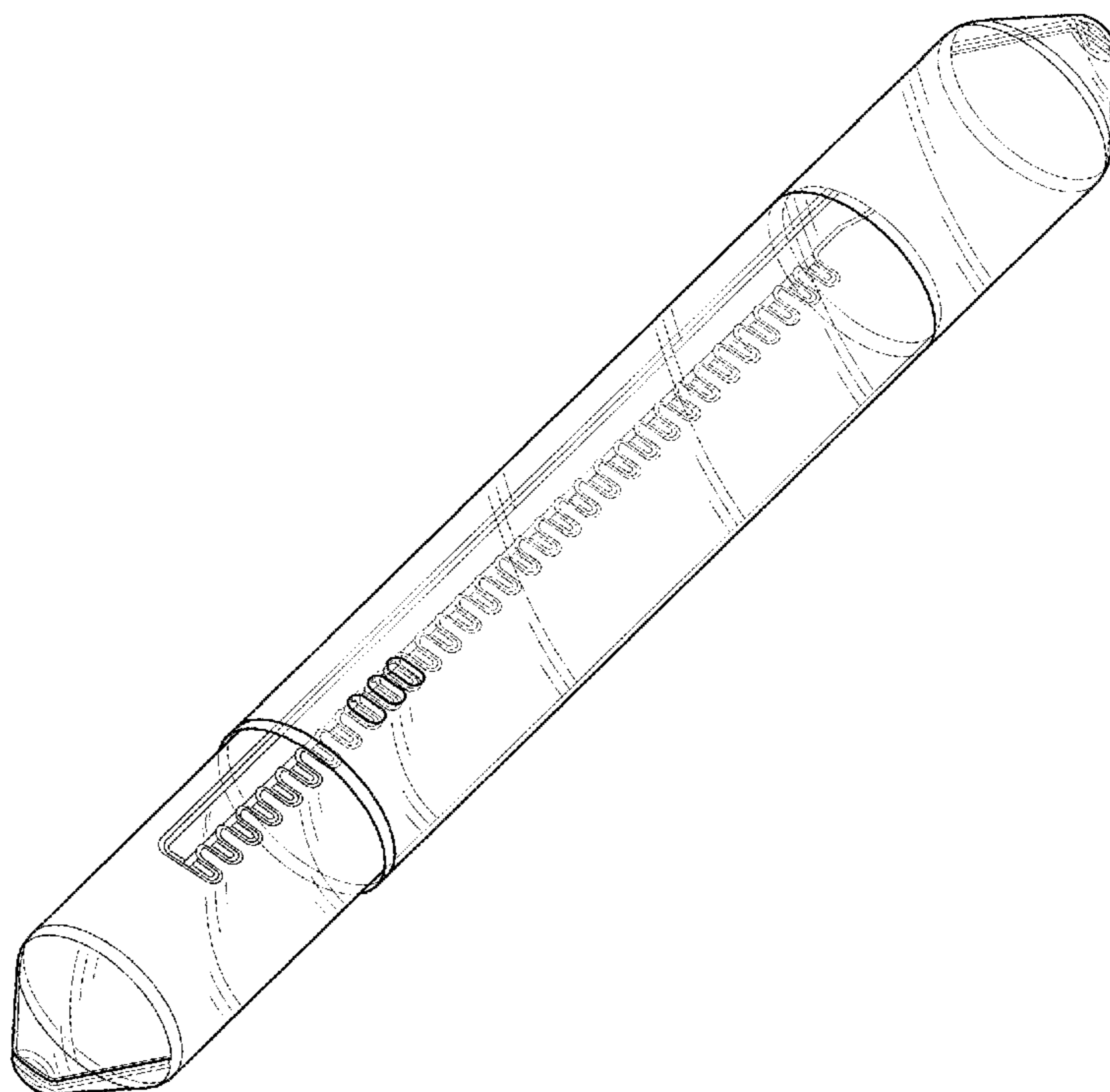
FIG. 1 is a top front left perspective view of a packaging container.
FIG. 2 is a top rear right perspective view of the packaging container.
FIG. 3 is a bottom view of the packaging container.
FIG. 4 is a top view of the packaging container.
FIG. 5 is a front view of the packaging container.
FIG. 6 is a left side view of the packaging container; and,
FIG. 7 is a right side view of the packaging container.

(56) **References Cited**

U.S. PATENT DOCUMENTS

3,320,962 A * 5/1967 Moriber A45D 40/20
401/31
4,772,273 A * 9/1988 Alchas A61J 1/05
604/218

1 Claim, 7 Drawing Sheets



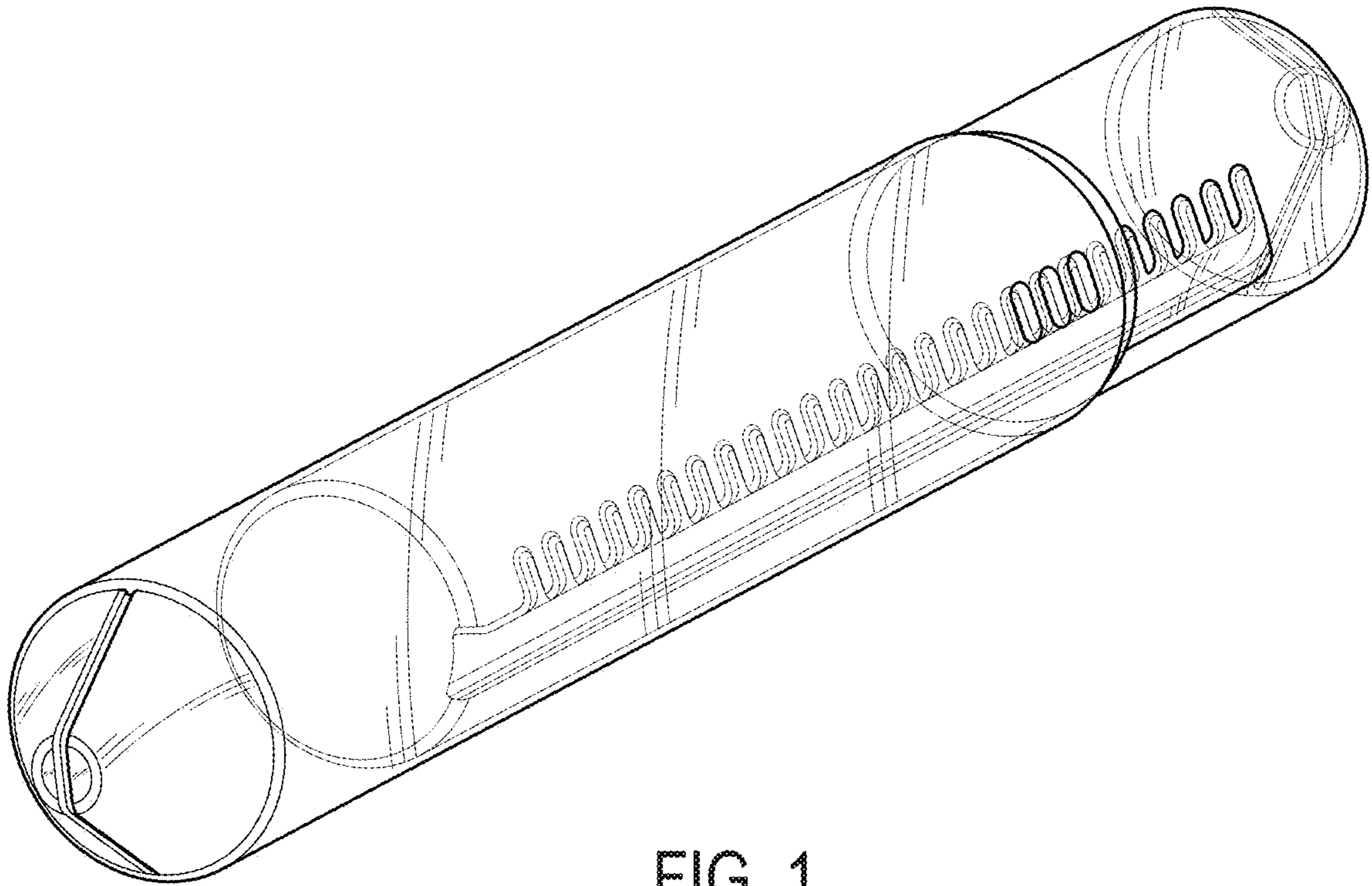


FIG. 1

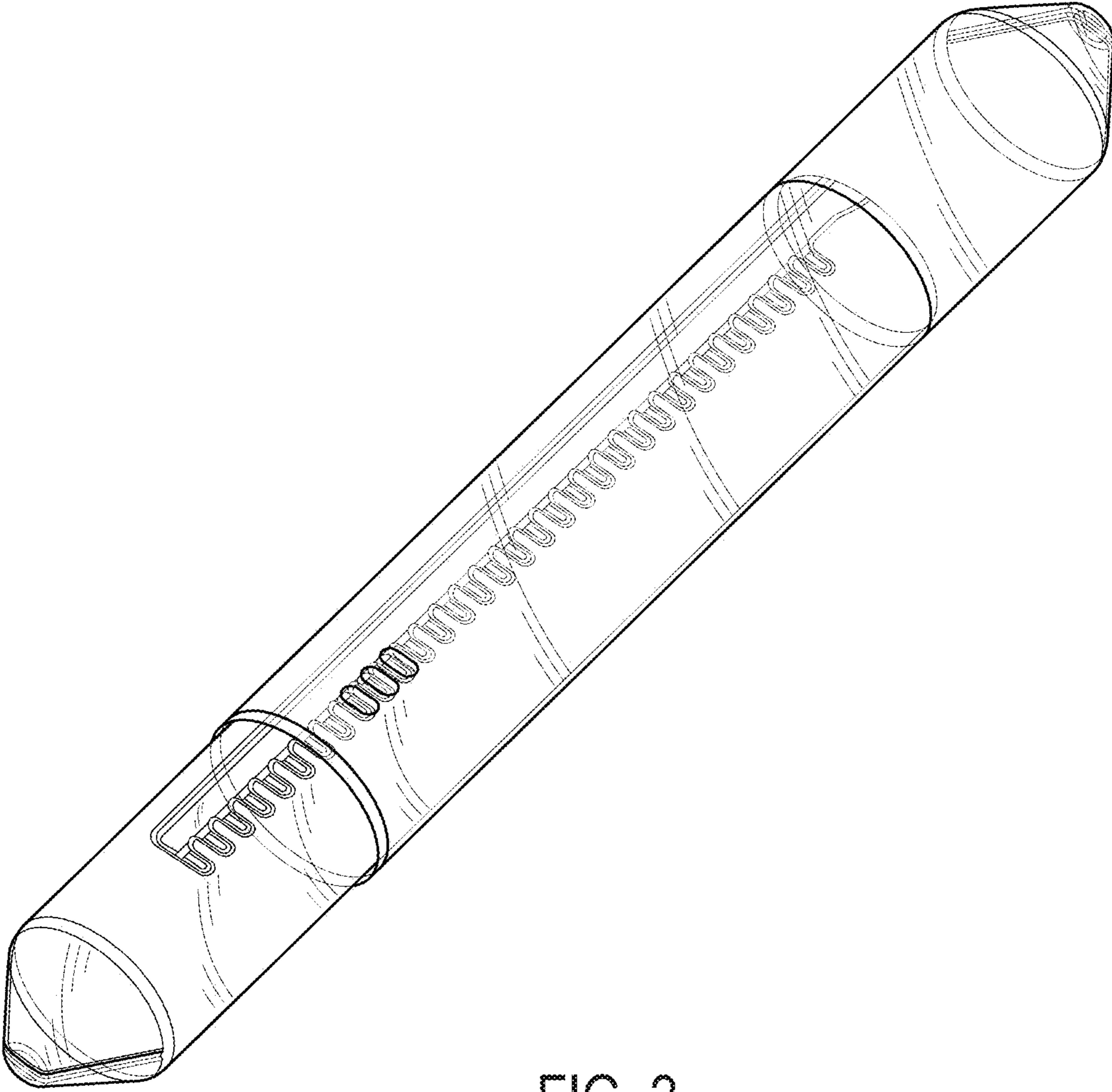


FIG. 2

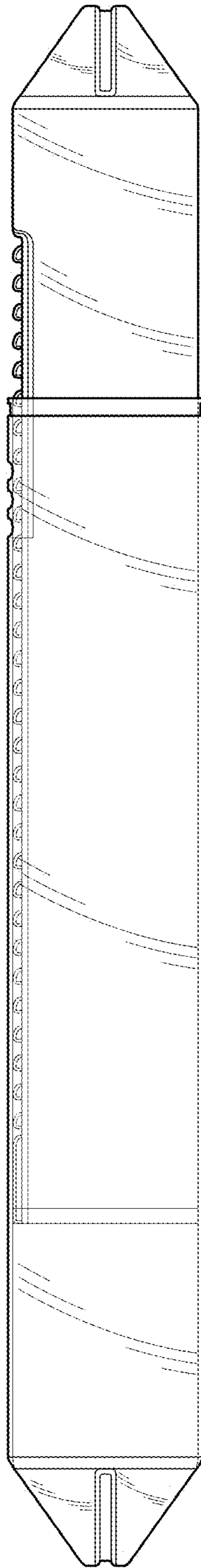


FIG. 3

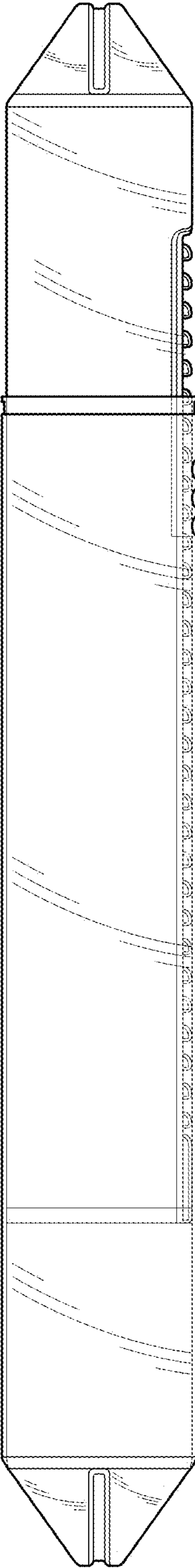


FIG. 4

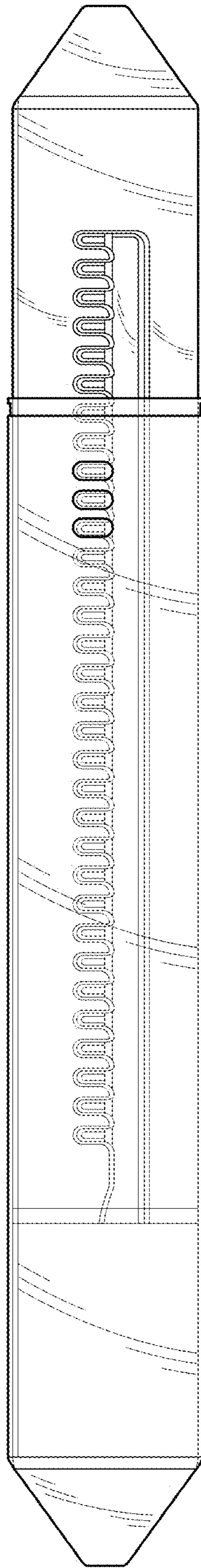


FIG. 5

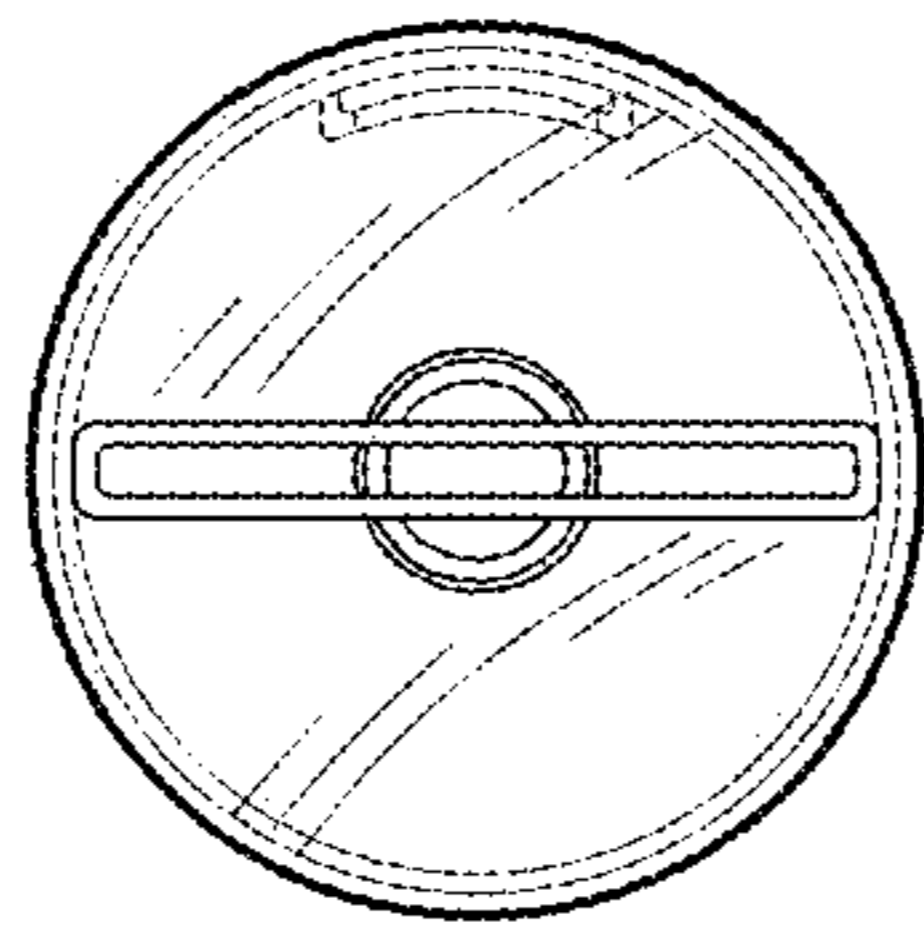


FIG. 6

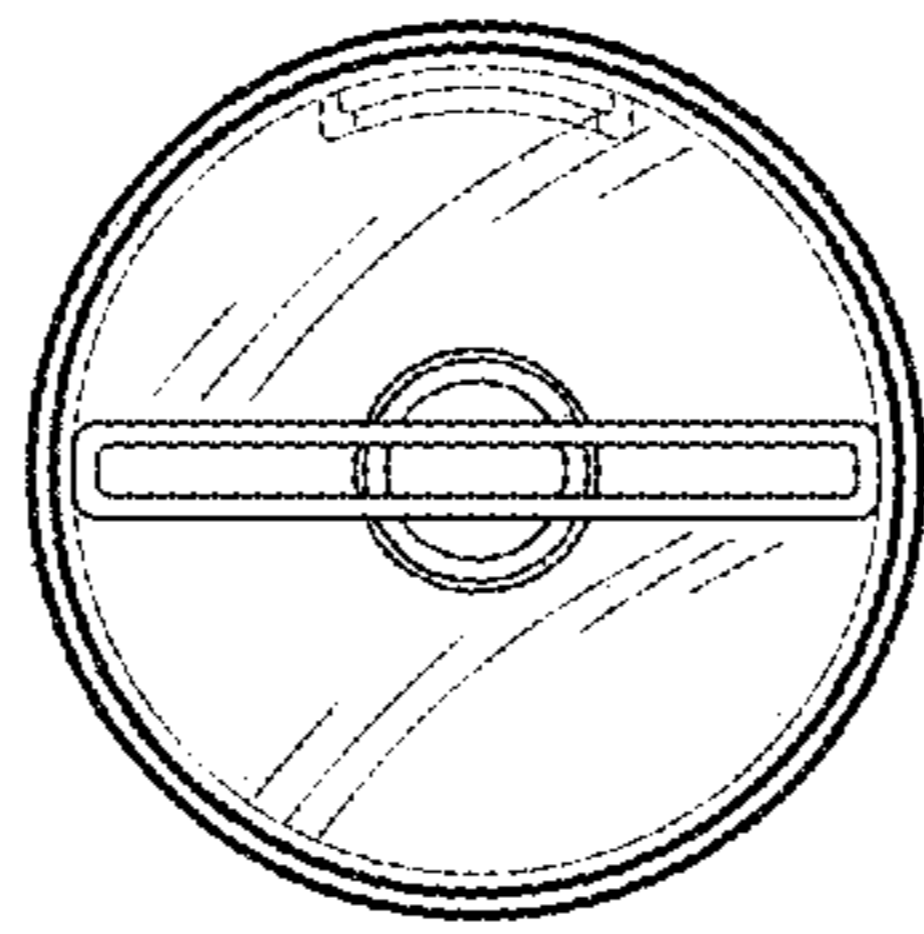


FIG. 7