

US00D896098S

(12) **United States Design Patent** (10) **Patent No.:** **US D896,098 S**  
**Butler et al.** (45) **Date of Patent:** **\*\* Sep. 15, 2020**

(54) **BOTTLE**  
(71) Applicant: **Monique Butler**, Murrieta, CA (US)  
(72) Inventors: **Monique Butler**, Murrieta, CA (US);  
**Jose Torres**, Menifee, CA (US)  
(\*\*) Term: **15 Years**  
(21) Appl. No.: **29/686,866**  
(22) Filed: **Apr. 8, 2019**  
(51) **LOC (12) Cl.** ..... **09-01**  
(52) **U.S. Cl.**  
USPC ..... **D9/652**; D9/574  
(58) **Field of Classification Search**  
USPC ..... D3/202, 270, 271.1-271.4; D7/301-303,  
D7/509-511, 514-521, 529, 594, 599,  
D7/604, 613, 619.2, 623, 628; D9/600,  
D9/649, 652, 667, 500-516, 520, 523,  
D9/528, 542-546, 562, 572-575;  
206/457, 459.5, 527; 215/381-384, 400;  
D11/56, 61, 103, 116, 132, 121, 131-32  
CPC ..... B65D 5/42; B65D 5/4258; B65D 81/60;  
B65D 81/365; B65D 81/366; B65D  
81/368; B65D 2203/00; B65D 2203/02;  
B65D 5/4208; B65D 77/00; B65D 67/00;  
A63H 33/16  
See application file for complete search history.

D408,741 S \* 4/1999 Mohary ..... D9/543  
D417,154 S \* 11/1999 Weinert ..... D9/543  
D418,421 S 1/2000 Mansau  
D450,249 S 11/2001 Beaver  
D458,140 S 6/2002 Hutchins  
D519,032 S \* 4/2006 Abadinsky ..... D9/575  
D519,378 S 4/2006 Abadinsky  
D519,840 S \* 5/2006 Abadinsky ..... D9/545  
D520,364 S \* 5/2006 Abadinsky ..... D9/545  
D552,995 S 10/2007 Toh  
D553,502 S 10/2007 Toh

(Continued)

*Primary Examiner* — Sandra L Morris  
(74) *Attorney, Agent, or Firm* — Clement Chang

(57) **CLAIM**

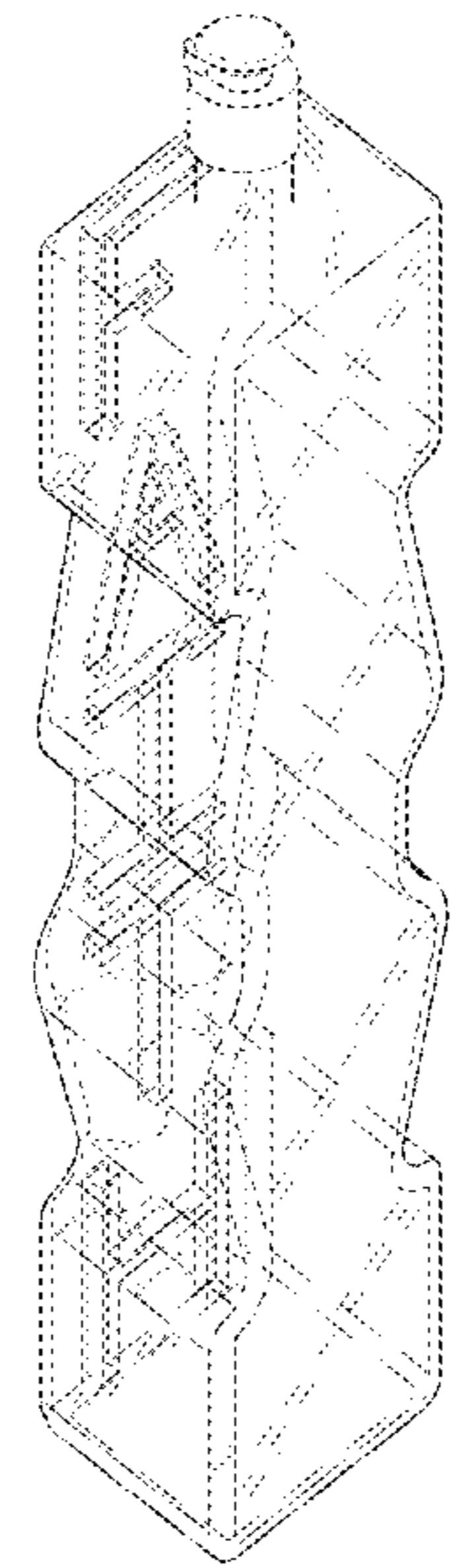
The ornamental design for a bottle, as shown and described.

**DESCRIPTION**

FIG. 1 is a front perspective view of a transparent embodi-  
ment of a bottle incorporating the word faith;  
FIG. 2 is a front view thereof;  
FIG. 3 is a rear view thereof;  
FIG. 4 is a left side thereof;  
FIG. 5 is a right side view thereof;  
FIG. 6 is a top view thereof;  
FIG. 7 is a bottom view thereof;  
FIG. 8 is a rear perspective view of a second embodiment  
thereof;  
FIG. 9 is a rear view thereof;  
FIG. 10 is a front view thereof;  
FIG. 11 is a right side view thereof;  
FIG. 12 is a left side view thereof;  
FIG. 13 is a top plan view thereof;  
FIG. 14 is a bottom plan view thereof; and,  
FIG. 15 is a cross sectional view taken along line 15-15 in  
FIG. 10.  
The dotted line disclosure for the cap of the bottle forms no  
part of the claimed invention.

(56) **References Cited**  
U.S. PATENT DOCUMENTS  
D179,568 S \* 1/1957 Hand ..... D11/61  
D190,527 S 6/1961 Borg  
D212,523 S 10/1968 Affleck et al.  
D241,317 S 9/1976 Brackman  
D335,453 S 5/1993 Marti  
D339,295 S \* 9/1993 Hicks ..... D9/516  
D355,128 S 2/1995 Samimi et al.  
D389,017 S \* 1/1998 Schwarz ..... D7/510  
D393,803 S 4/1998 Walter

**1 Claim, 9 Drawing Sheets**



(56)

**References Cited**

U.S. PATENT DOCUMENTS

D559,108 S	1/2008	Regas	
D588,466 S	3/2009	Sukhanovskiy	
D607,339 S *	1/2010	Sanborn .....	D9/574
D745,405 S *	12/2015	Inzani .....	D9/543
D753,495 S *	4/2016	Turner .....	D9/543
D784,155 S *	4/2017	De Baschmakoff .....	D9/652
D798,162 S *	9/2017	Hatellari .....	D9/652
D804,544 S *	12/2017	Richardson .....	D15/90

\* cited by examiner

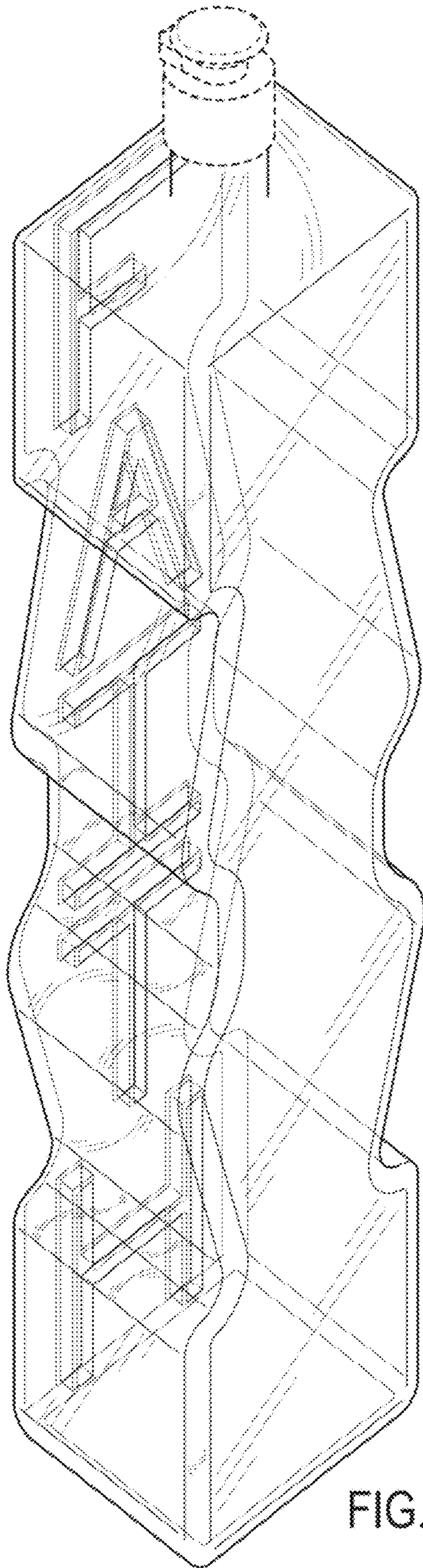


FIG. 1



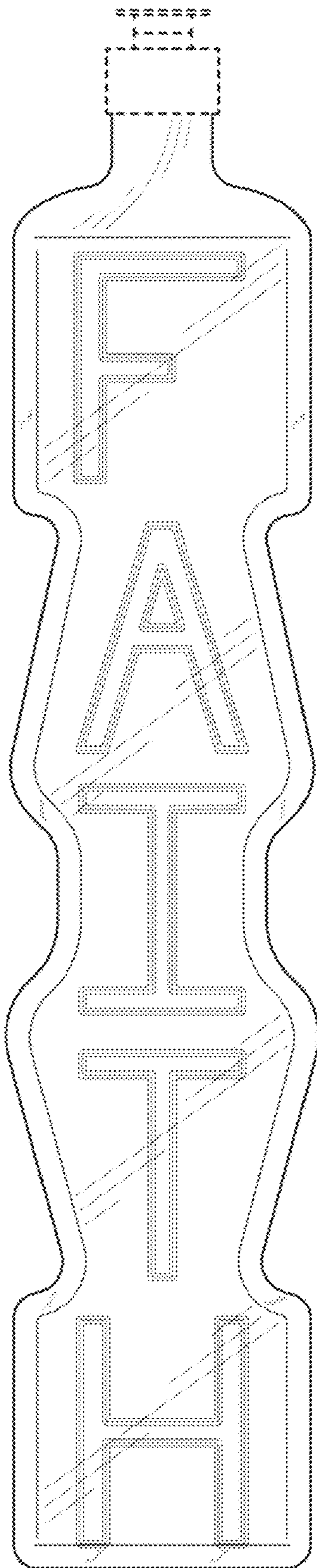


FIG. 2

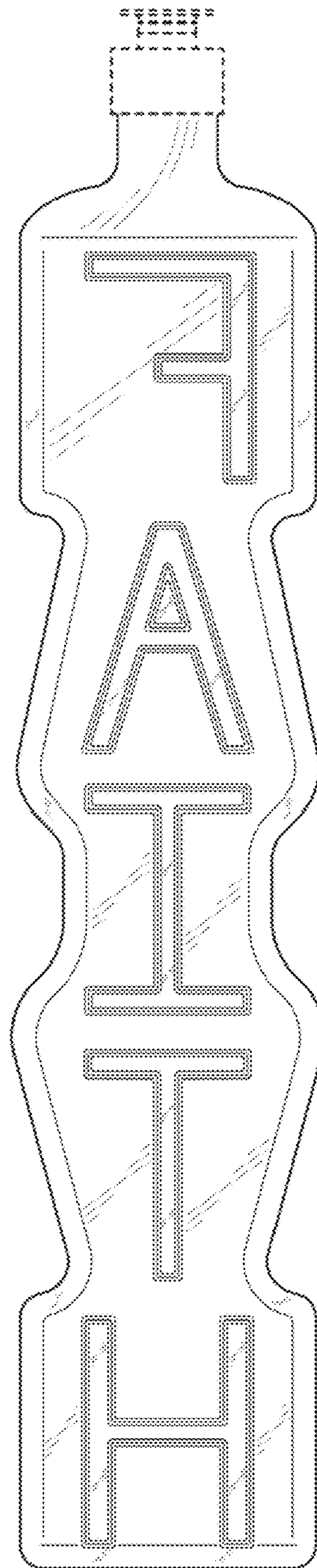


FIG. 3

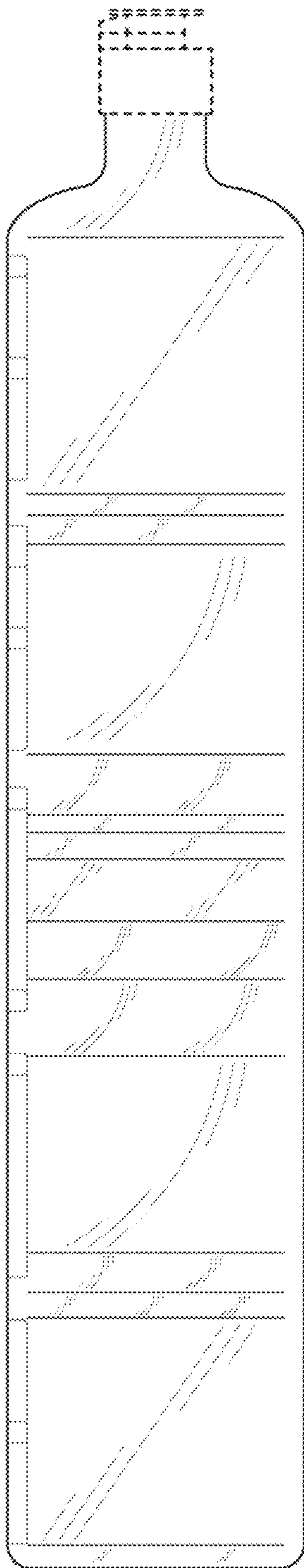


FIG. 4

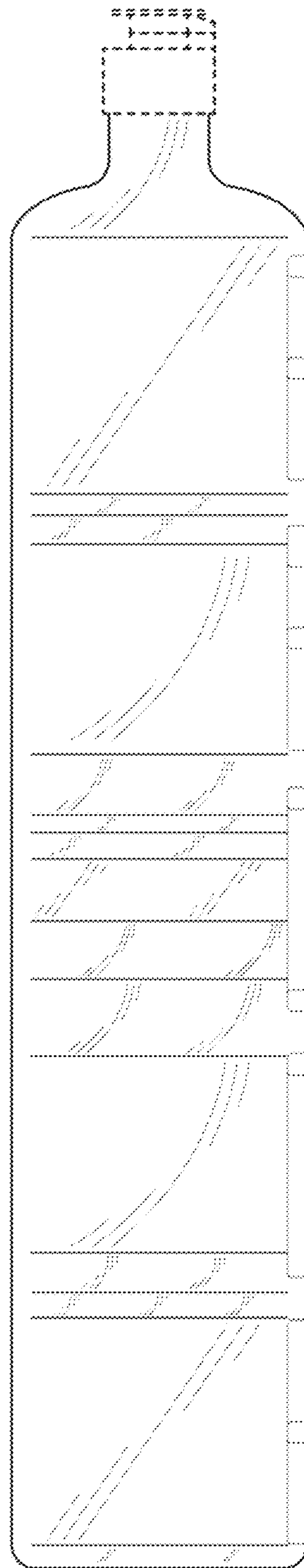


FIG. 5

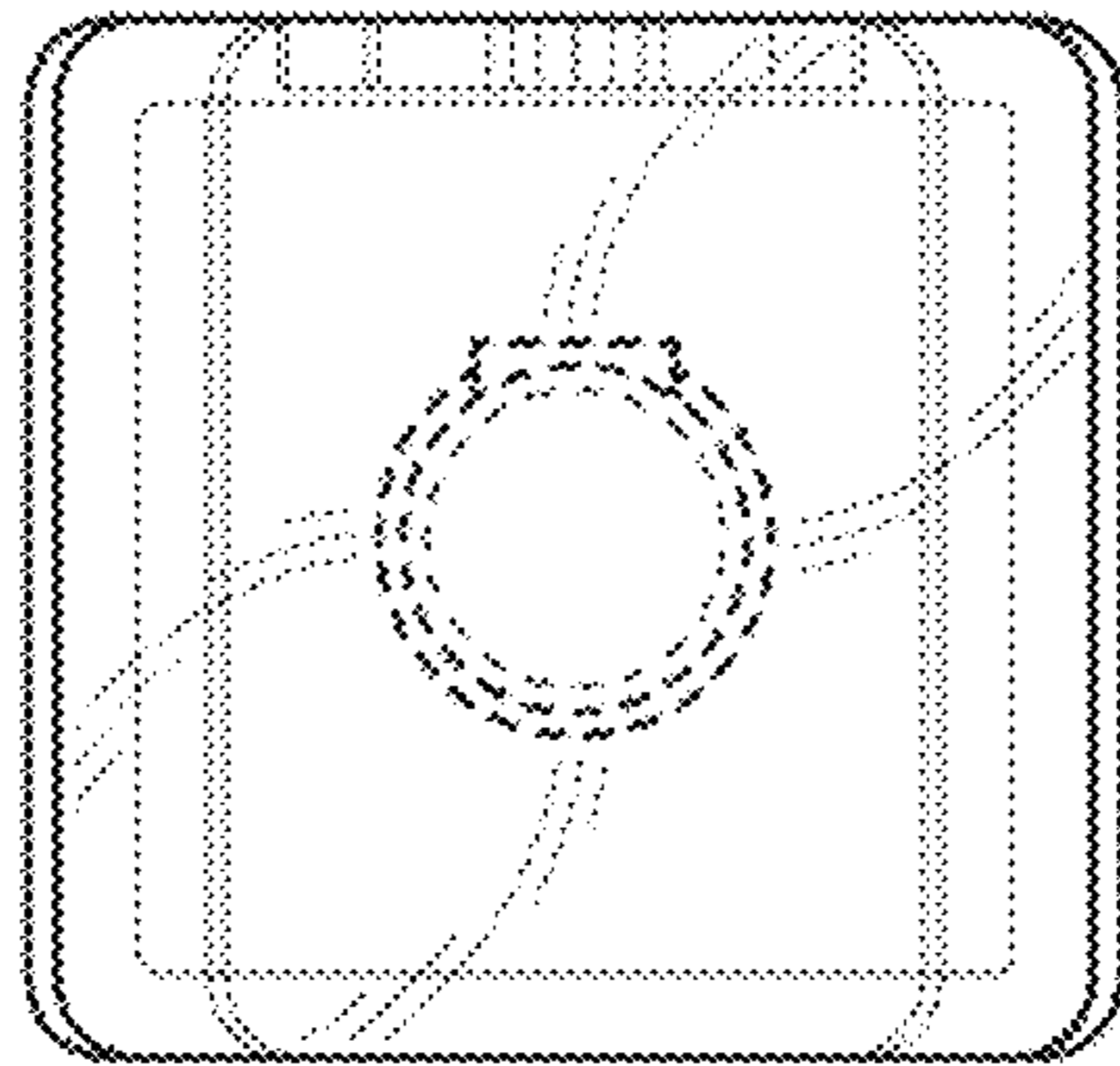


FIG. 6

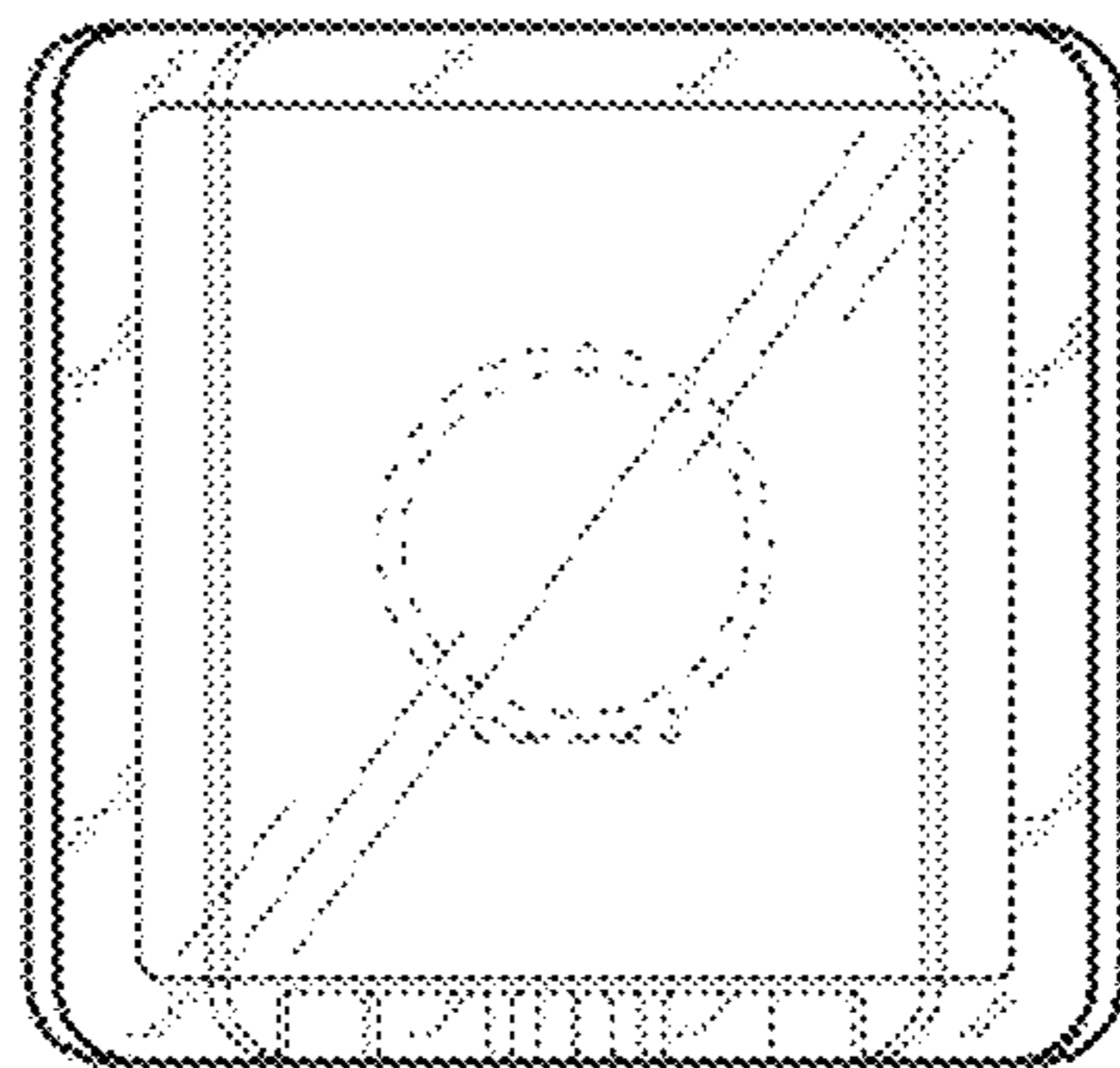


FIG. 7

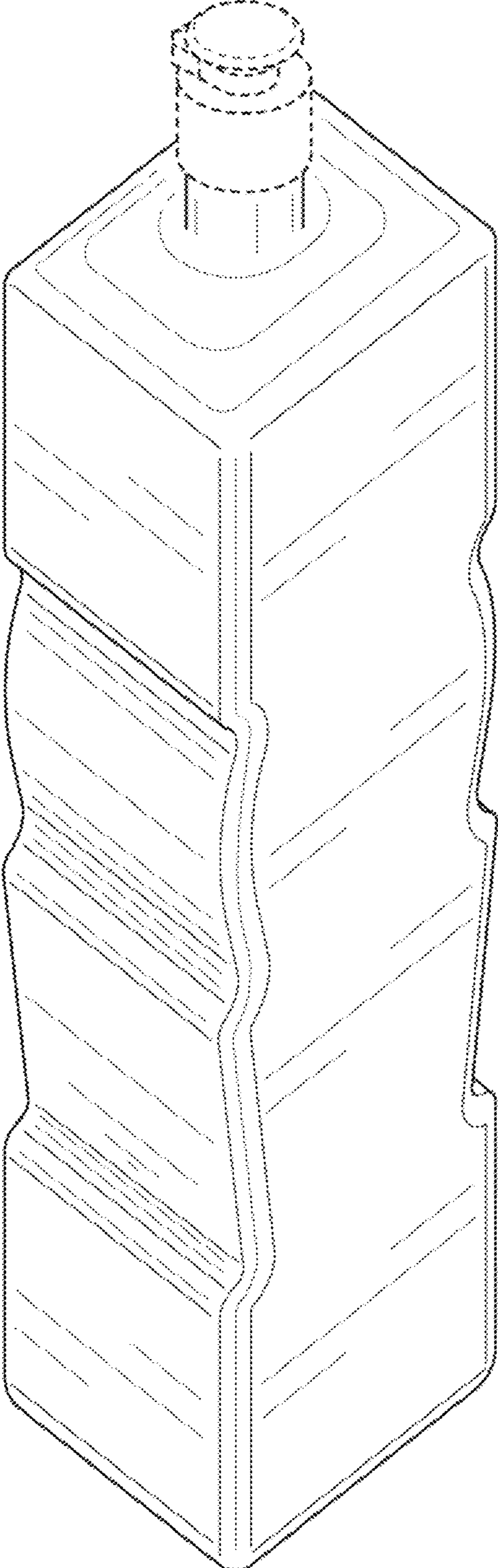


FIG. 8



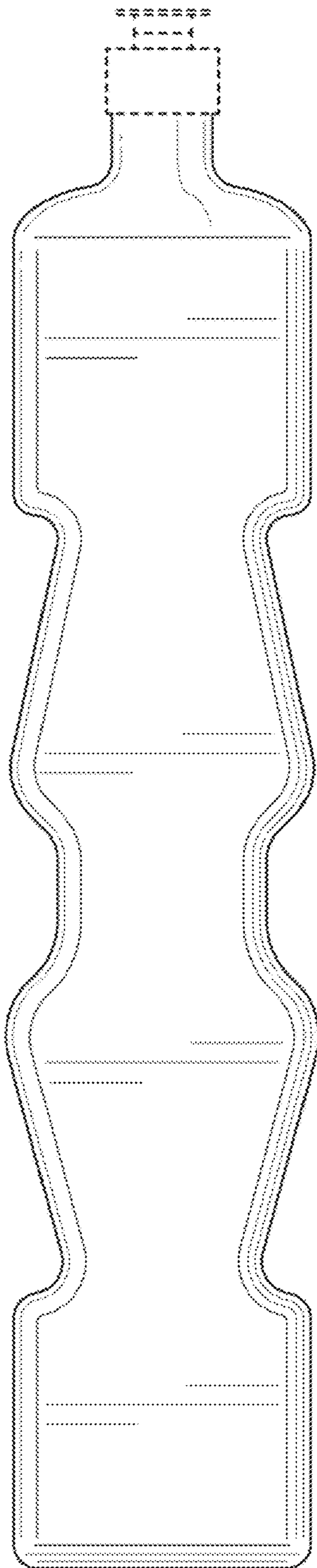


FIG. 9

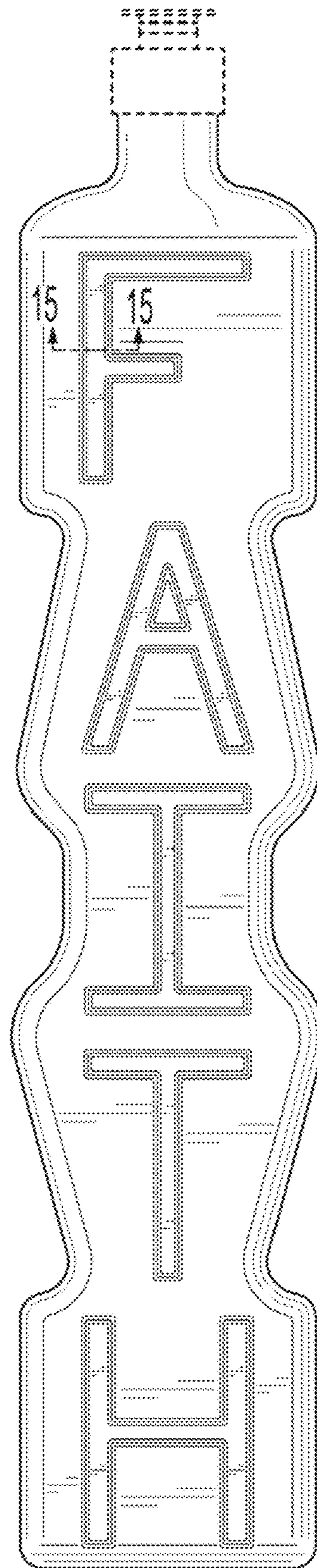


FIG. 10



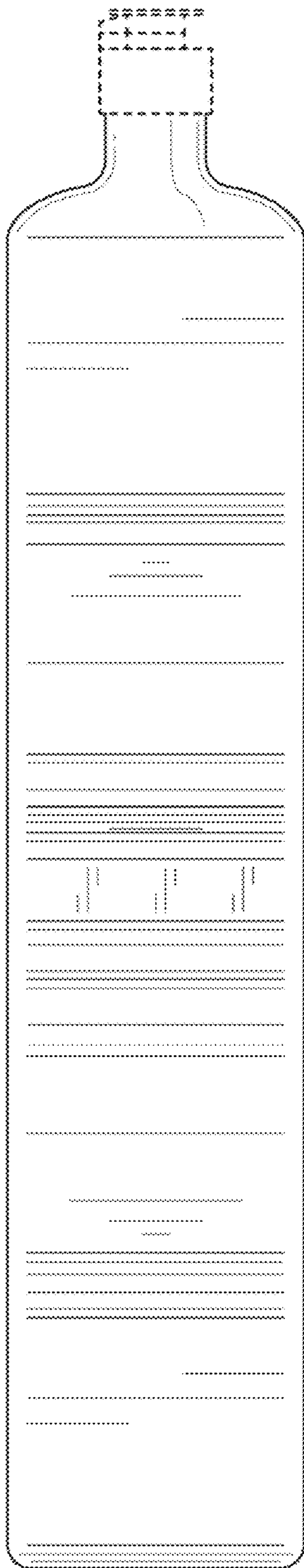


FIG. 11

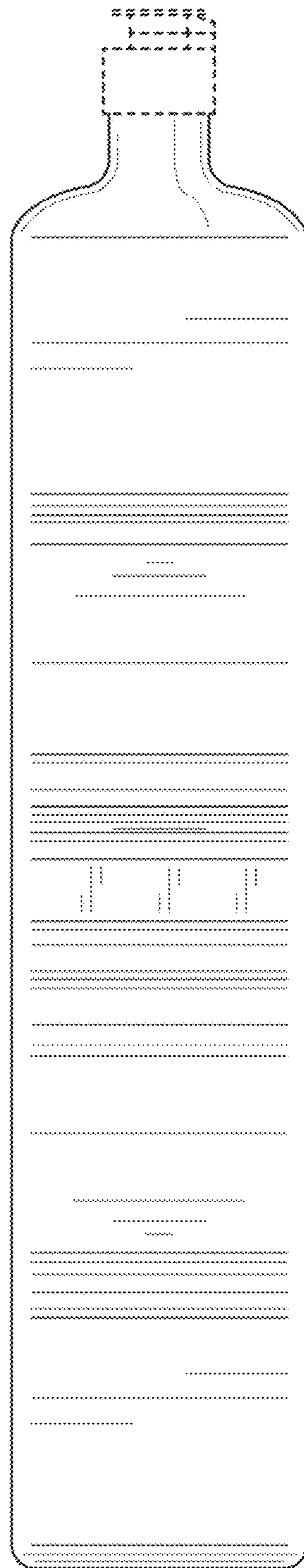


FIG. 12

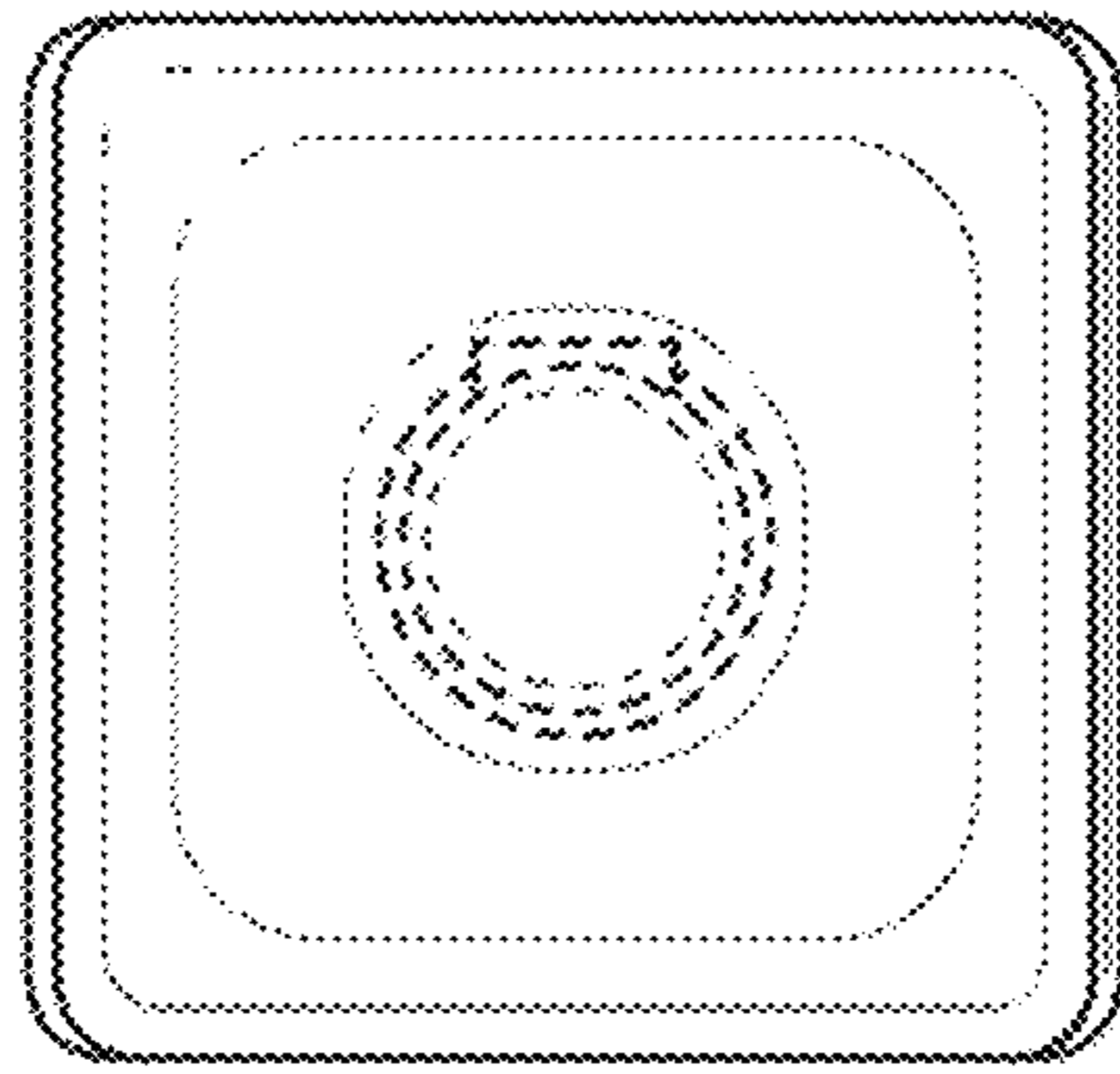


FIG. 13

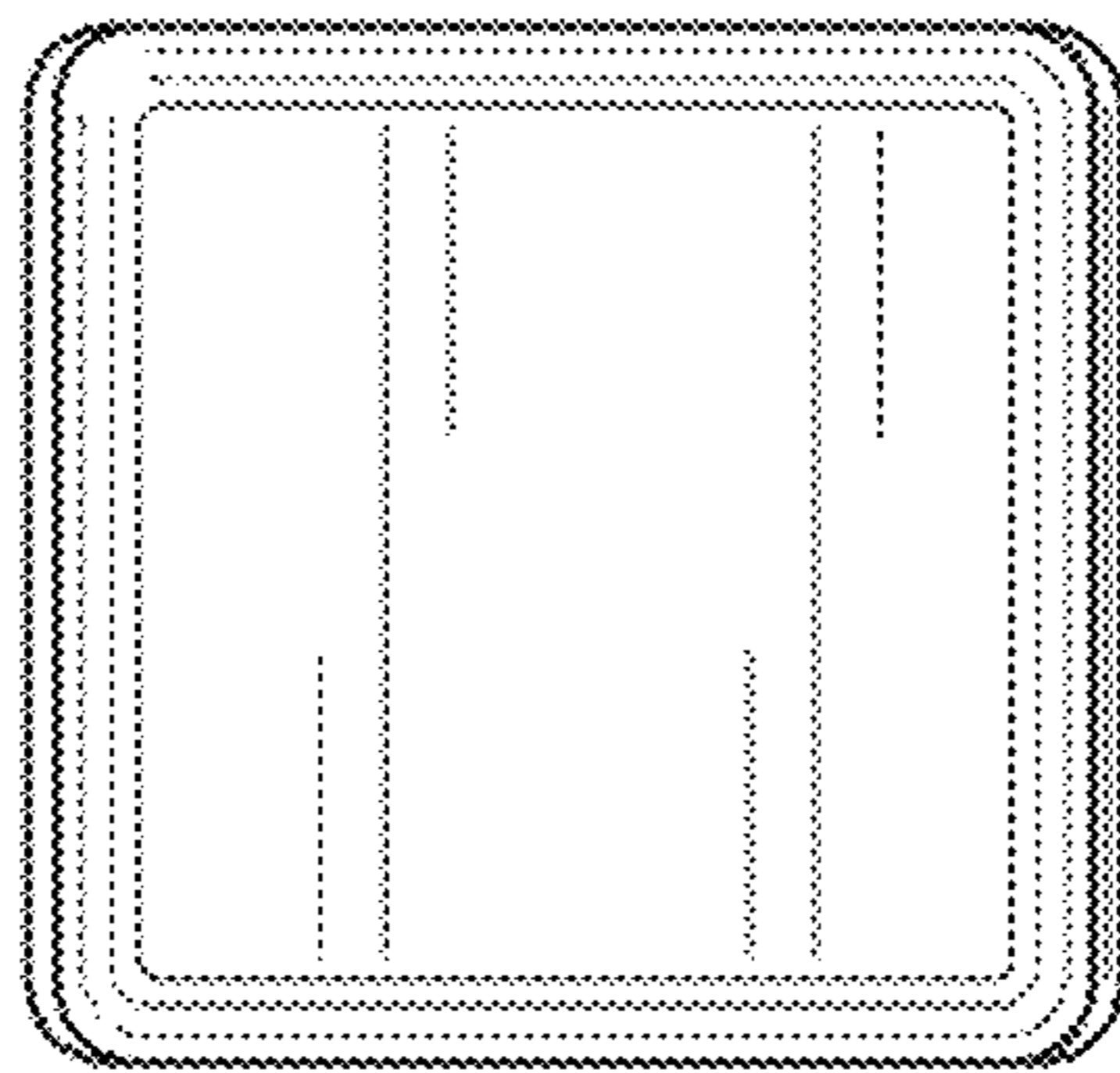


FIG. 14

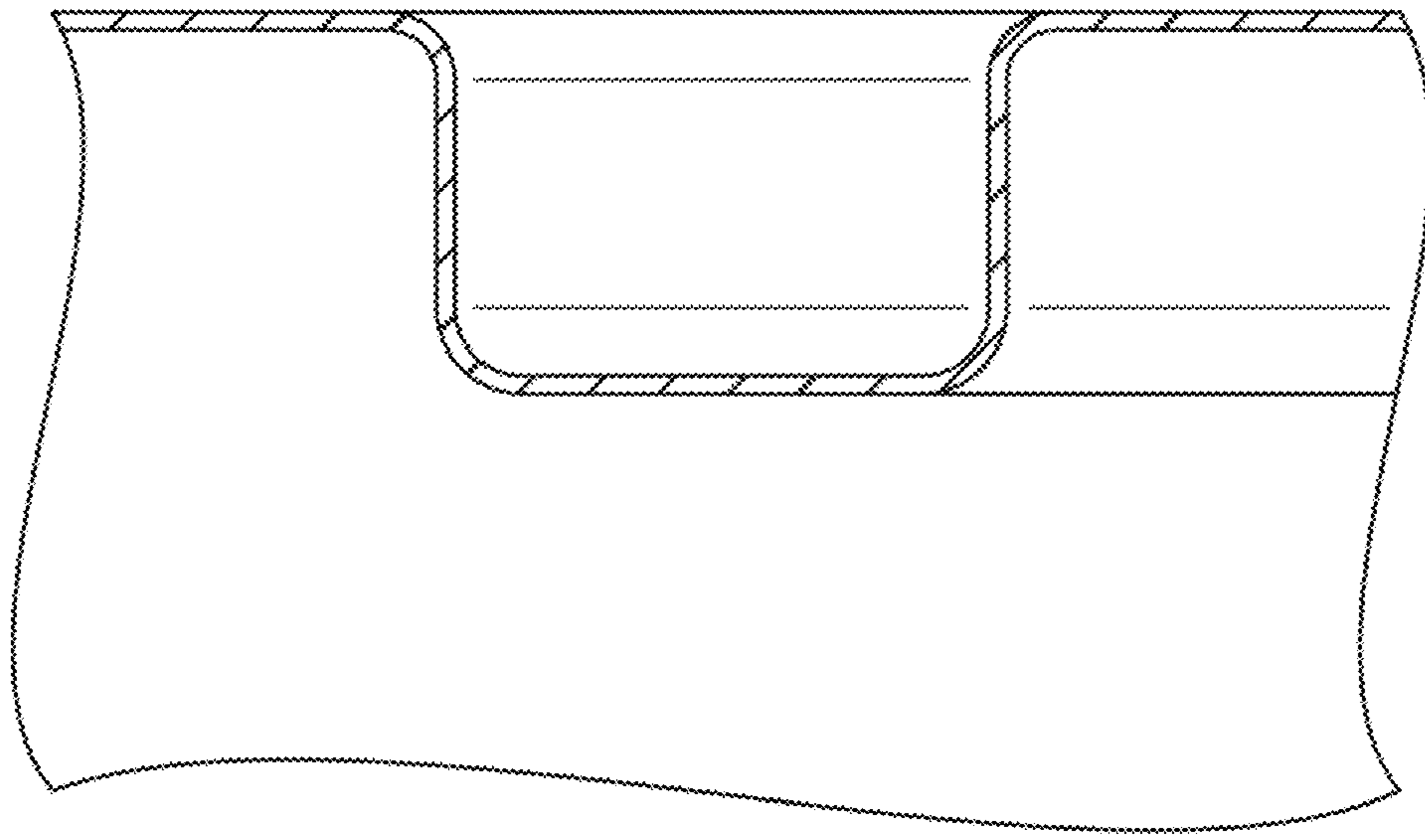


FIG. 15