



US00D896091S

(12) **United States Design Patent**  
**Dalton**

(10) **Patent No.:** **US D896,091 S**

(45) **Date of Patent:** **\*\* Sep. 15, 2020**

(54) **BOTTLE**

(71) Applicant: **Chloe S.A.S.**, Paris (FR)

(72) Inventor: **Suzanne Dalton**, Paris (FR)

(73) Assignee: **Chloe S.A.S.**, Paris (FR)

(\*\*) Term: **15 Years**

(21) Appl. No.: **29/656,570**

(22) Filed: **Jul. 13, 2018**

(30) **Foreign Application Priority Data**

Feb. 6, 2018 (EM) ..... 004697530

(51) **LOC (12) Cl.** ..... **09-01**

(52) **U.S. Cl.**  
USPC ..... **D9/560; D9/574**

(58) **Field of Classification Search**

USPC ..... D9/434-436, 440, 443, 516, 544-546,  
D9/559, 560, 564, 565, 569, 570-575,  
D9/715, 719; D7/523, 540, 590, 598,  
D7/601, 602, 605, 612, 615, 619.1

CPC ..... B65D 21/0204; B65D 2501/0081; B65D  
1/0223; B65D 25/2876; B65D 43/0212

See application file for complete search history.

(56) **References Cited**

**U.S. PATENT DOCUMENTS**

D283,795 S \* 5/1986 Demourgues ..... D9/573  
D328,029 S \* 7/1992 Grip ..... D9/544

D342,452 S \* 12/1993 Monaghan ..... D9/454  
D372,676 S \* 8/1996 Desgrippes ..... D9/545  
D379,766 S \* 6/1997 Schneider ..... D9/542  
D421,914 S \* 3/2000 Boucheron ..... D9/544  
D431,005 S \* 9/2000 Jentjen ..... D9/544  
D437,232 S \* 2/2001 Jones ..... D9/435  
D497,555 S \* 10/2004 Lecoule ..... D9/572  
D499,028 S \* 11/2004 Faillant-Dumas ..... D9/544  
D749,425 S \* 2/2016 Wable ..... D9/435  
D770,294 S \* 11/2016 Santoro ..... D9/520  
D846,996 S \* 4/2019 LaPorte ..... D9/687

\* cited by examiner

*Primary Examiner* — Shannon W Morgan

*Assistant Examiner* — Keith Frank

(74) *Attorney, Agent, or Firm* — Fross Zelnick Lehrman  
& Zissu, P.C.; Charles T. J. Weigell, Esq.

(57) **CLAIM**

The ornamental design for a bottle, as shown and described.

**DESCRIPTION**

FIG. 1 is a front perspective view of a bottle showing my new design;

FIG. 2 is a front view thereof;

FIG. 3 is a back view thereof;

FIG. 4 is a left side view thereof;

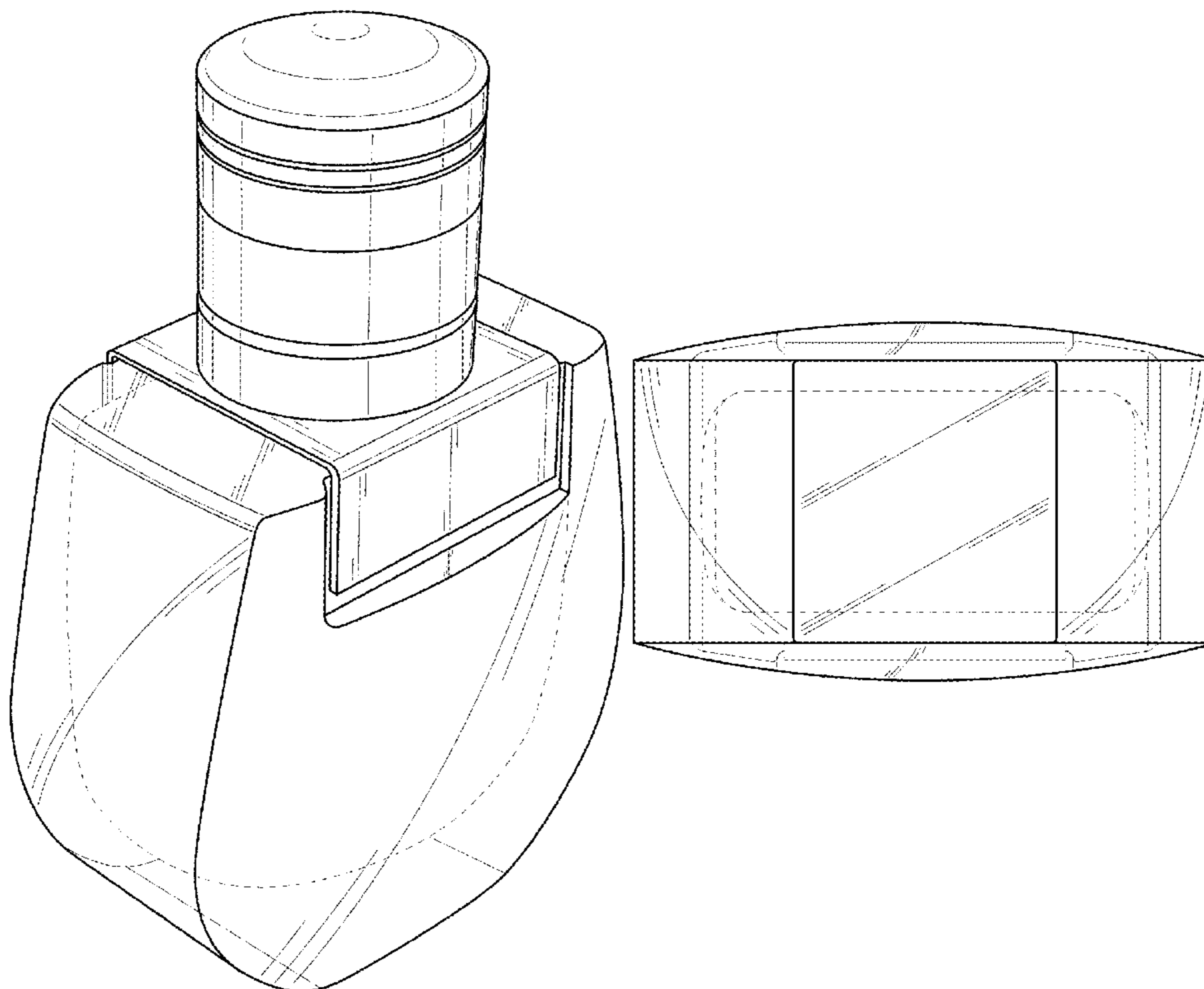
FIG. 5 is a right side view thereof;

FIG. 6 is a top view thereof; and,

FIG. 7 is a bottom view thereof.

The broken lines shown in the figures depict portions of the bottle that form no part of the claimed design.

**1 Claim, 7 Drawing Sheets**



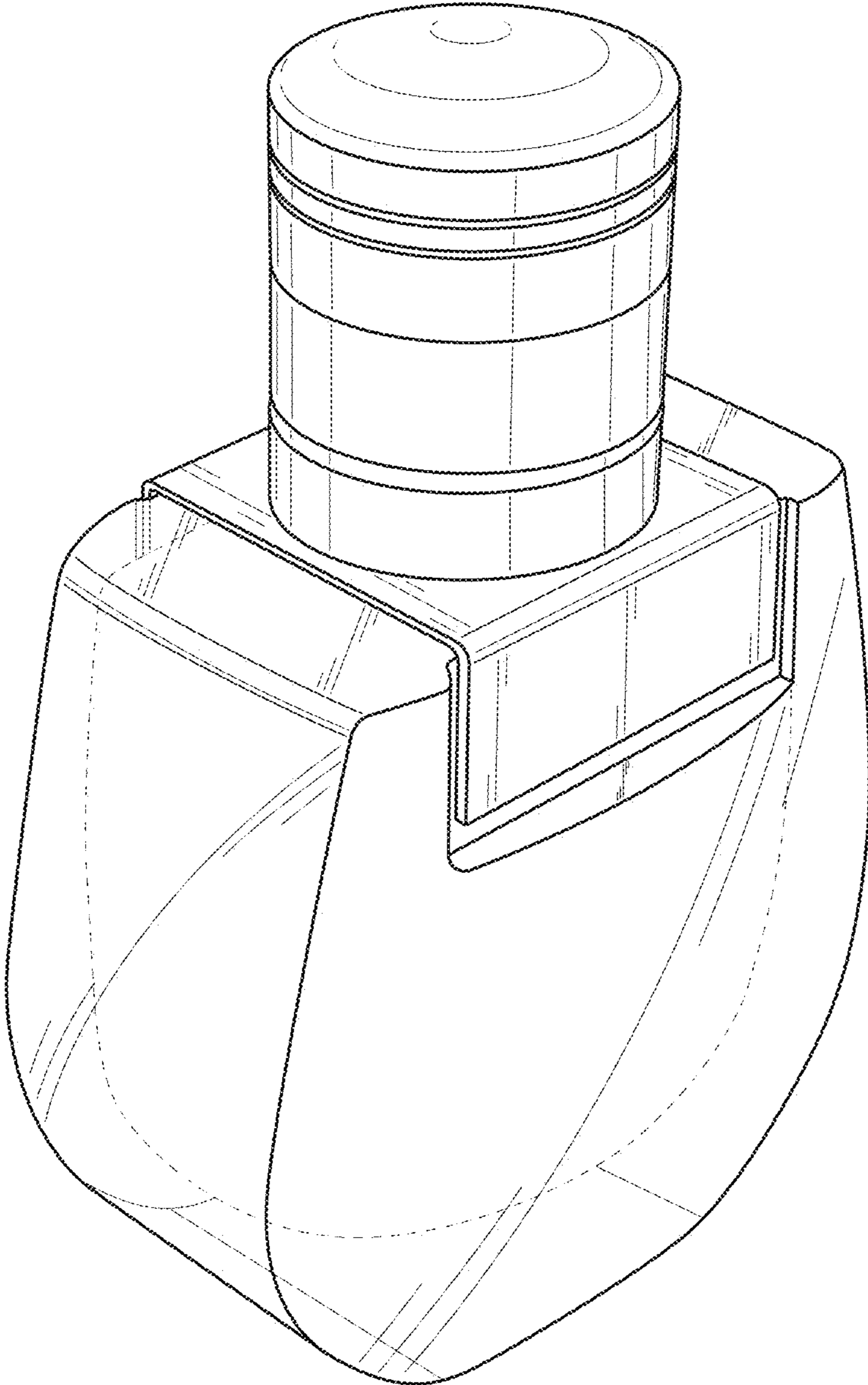


FIG. 1

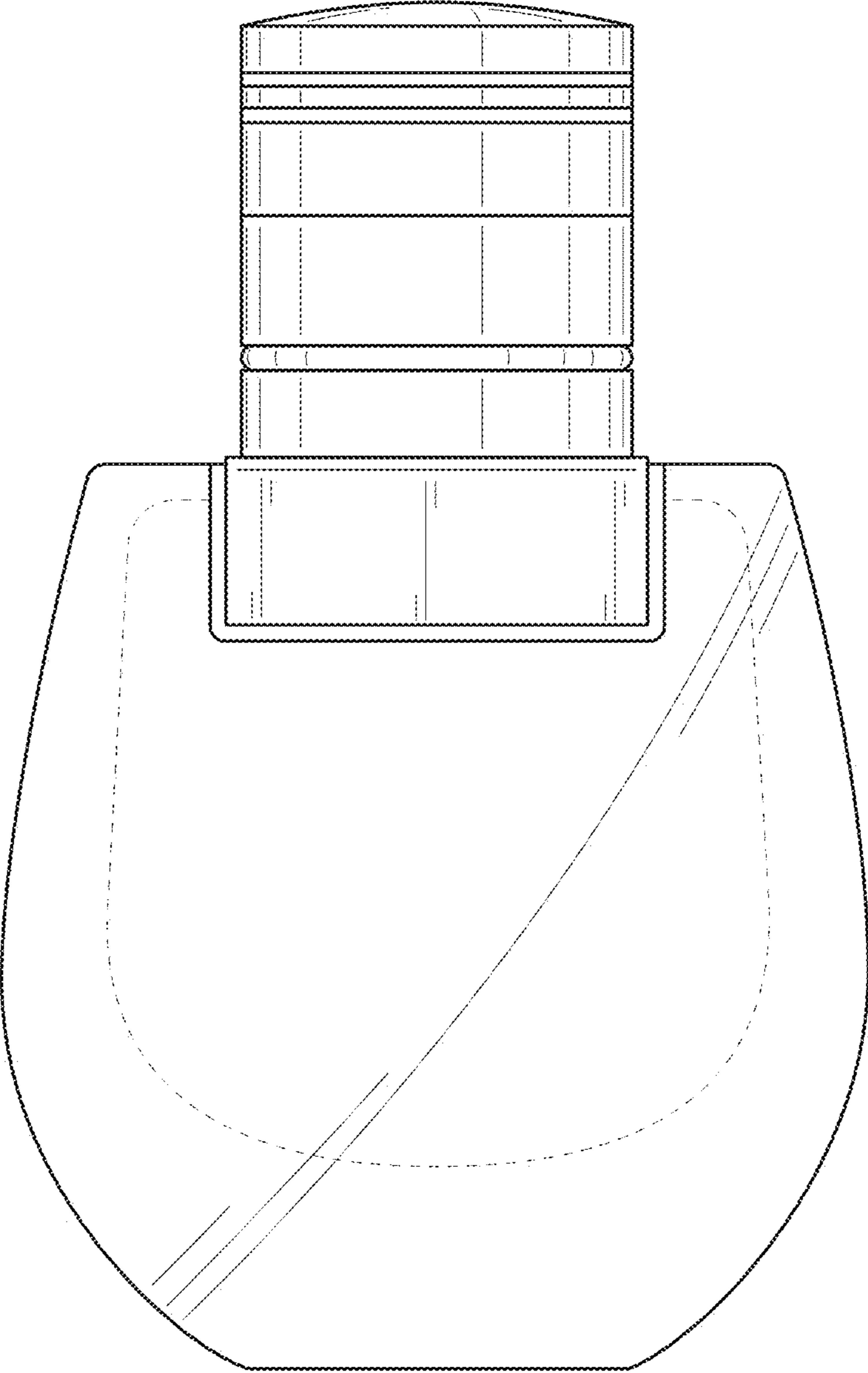


FIG. 2

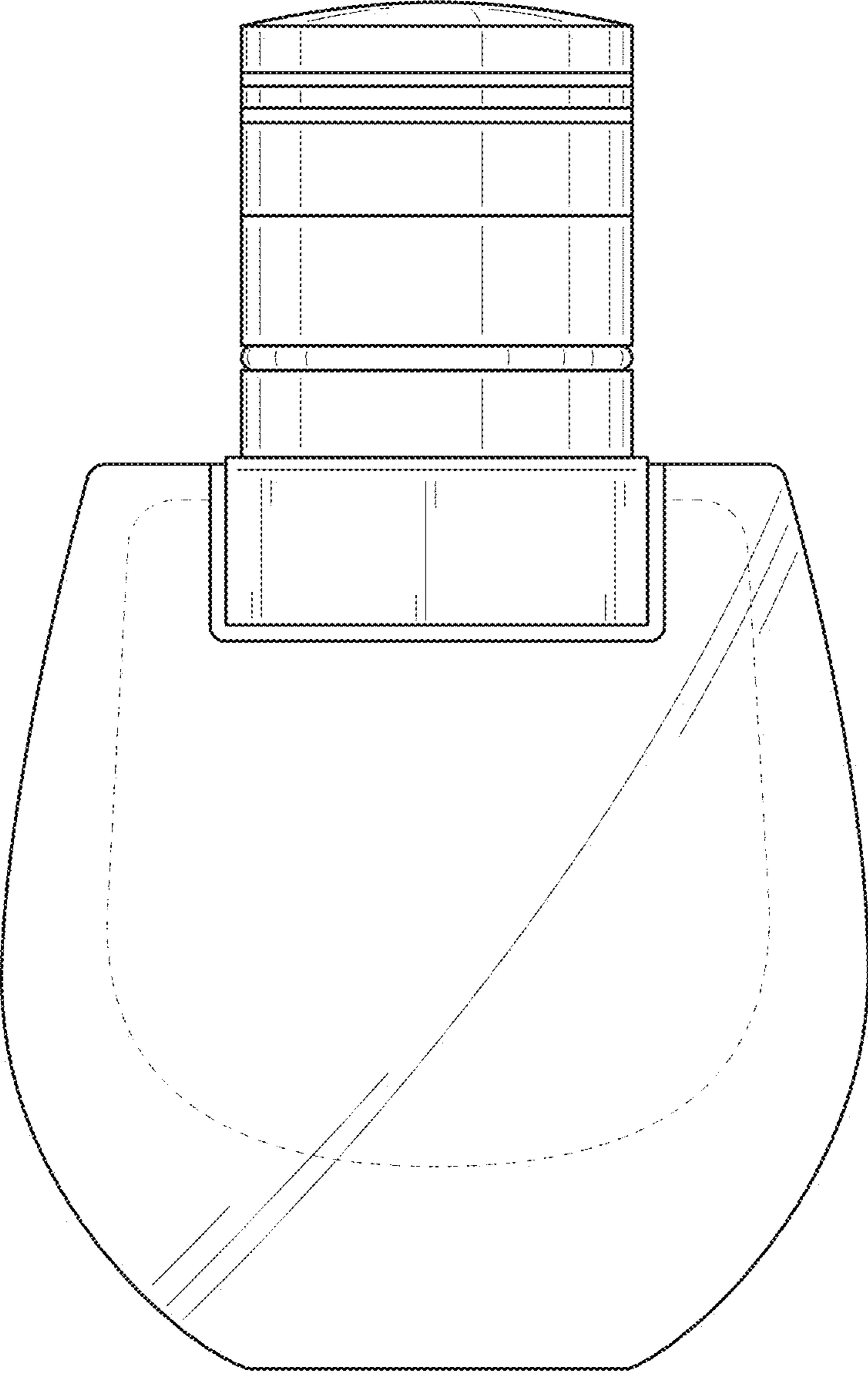


FIG. 3

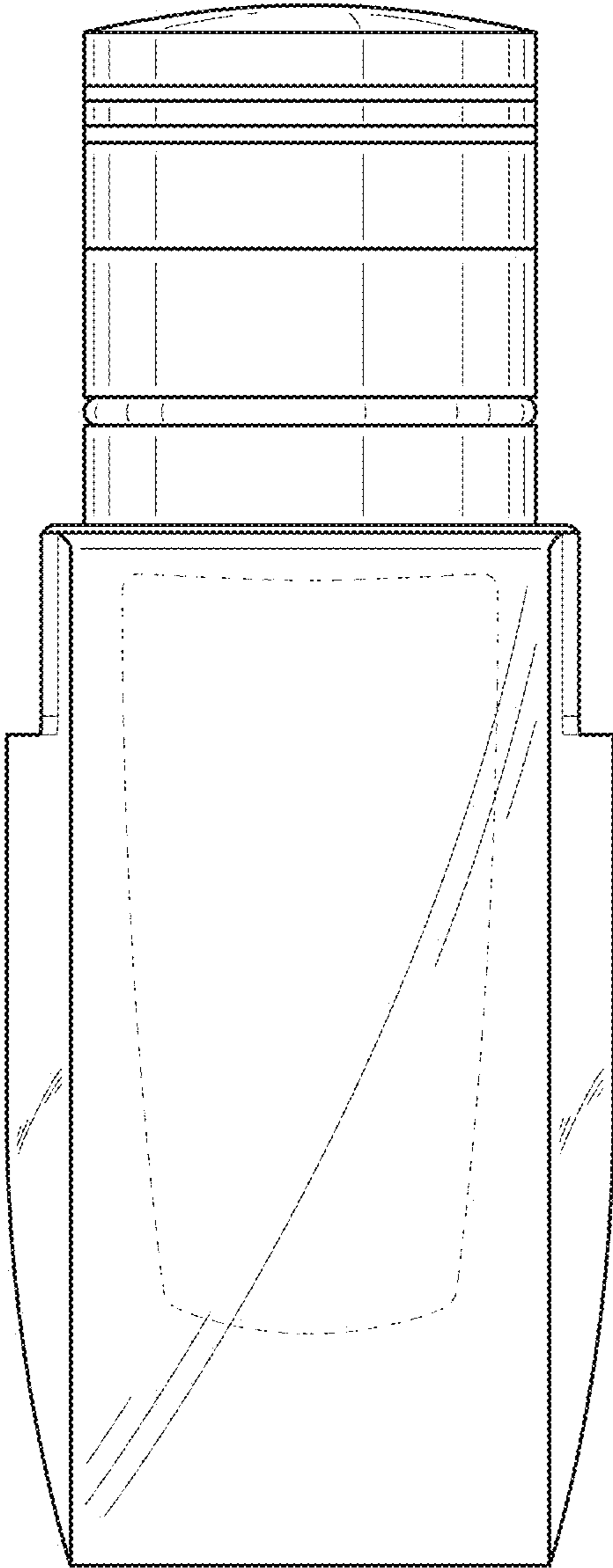


FIG. 4

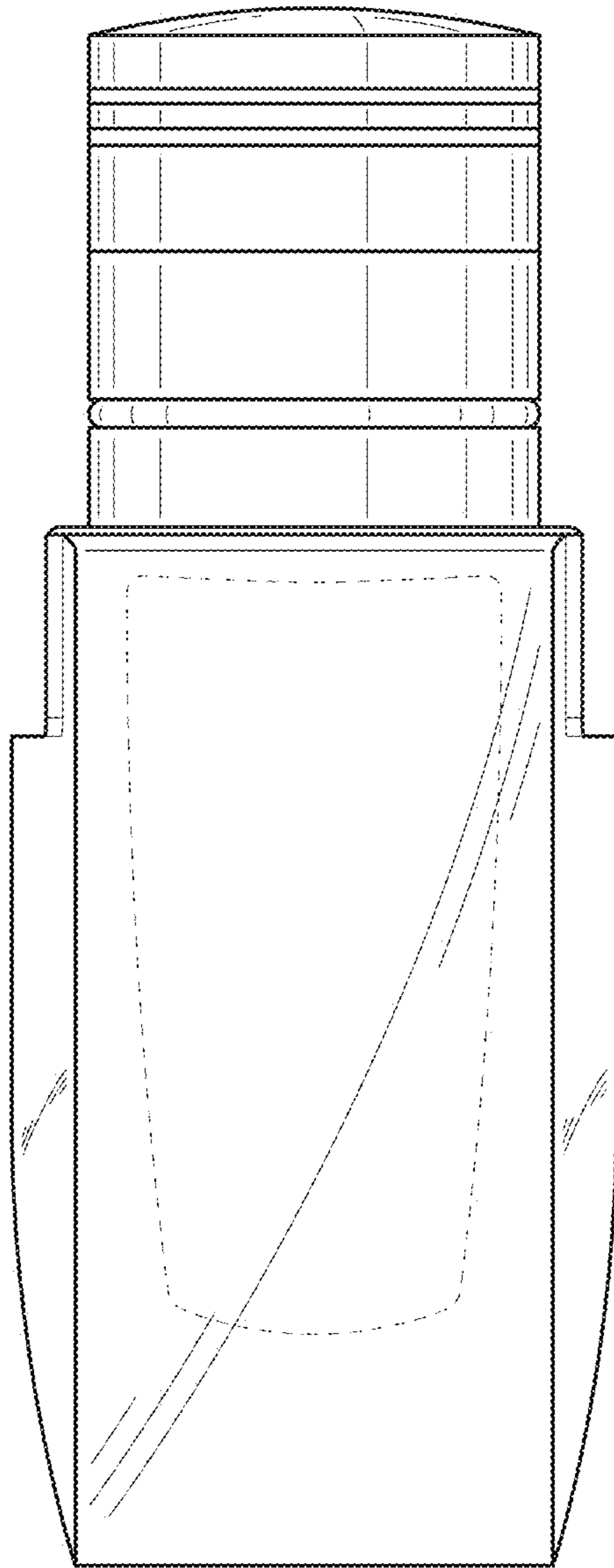


FIG. 5

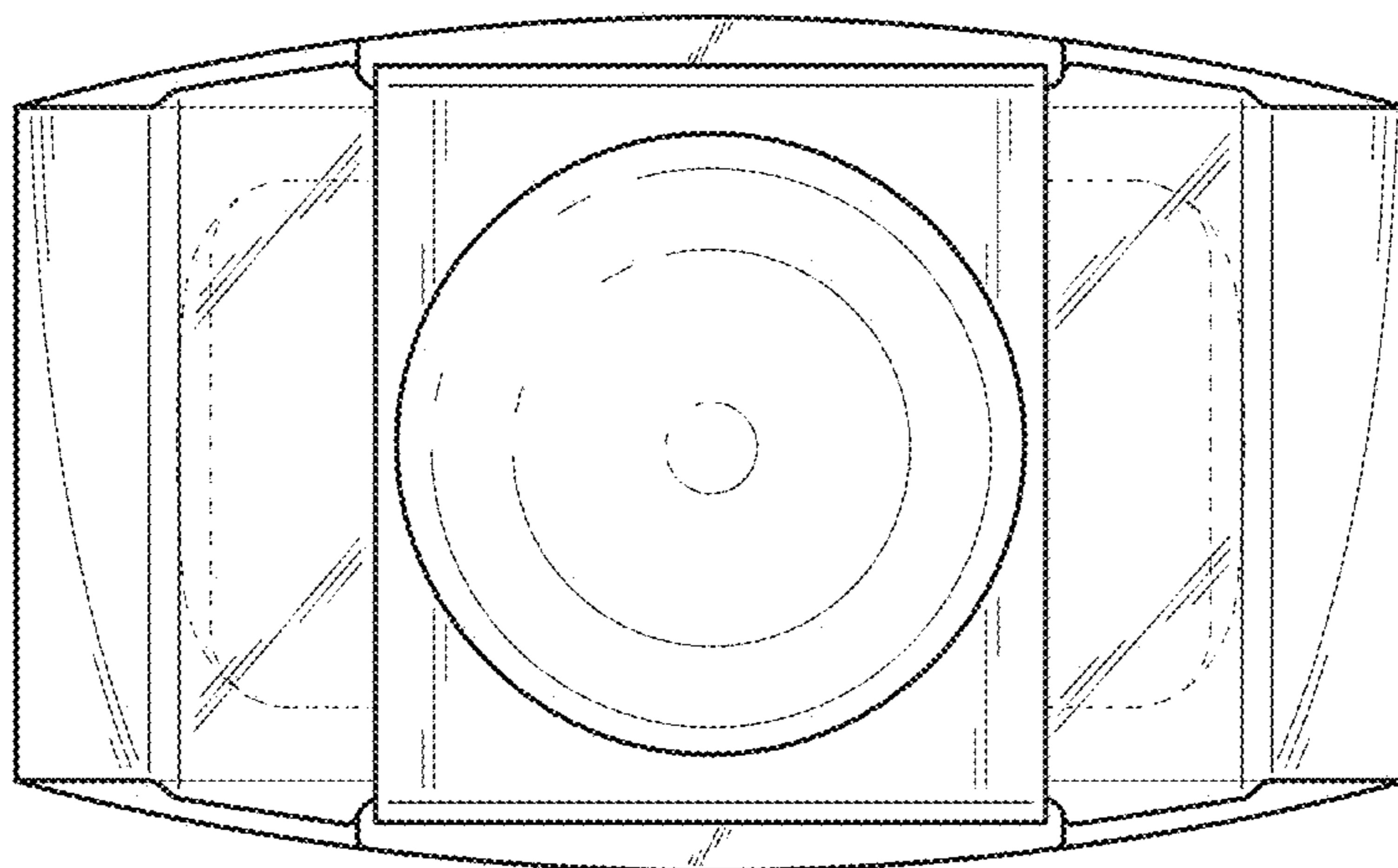


FIG. 6

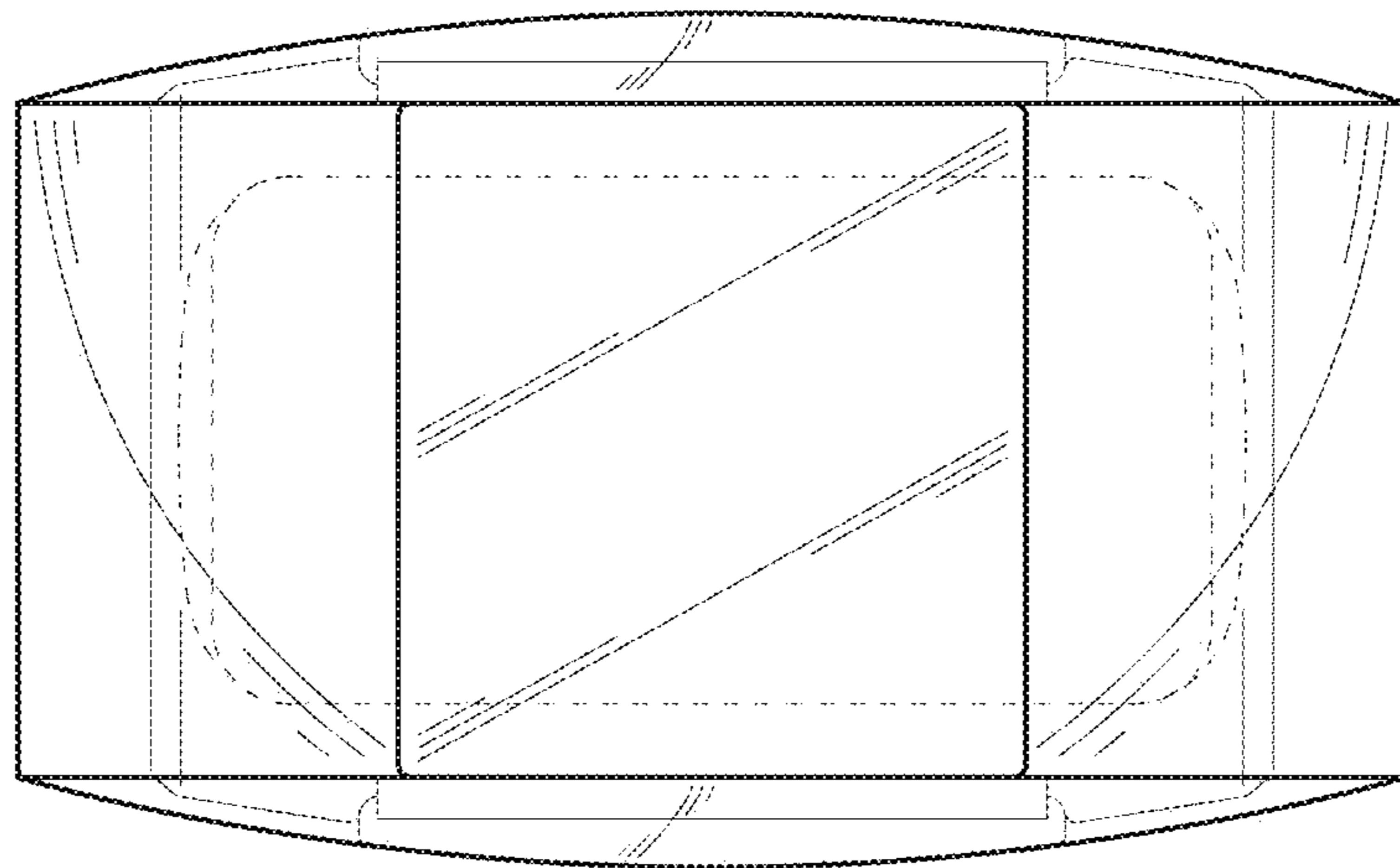


FIG. 7