



US00D896089S

(12) **United States Design Patent**
Stephens et al.

(10) **Patent No.:** **US D896,089 S**

(45) **Date of Patent:** **** Sep. 15, 2020**

(54) **BOTTLE**

(71) Applicant: **HENKEL IP & HOLDING GMBH**,
Duesseldorf (DE)

(72) Inventors: **John Brandon Stephens**, Auburn, AL
(US); **Daniel Peter Sterling**, Fairfield,
CT (US); **Glenn W Kaye**, Norwalk, CT
(US)

(73) Assignee: **Henkel IP & Holding GmbH** (DE)

(**) Term: **15 Years**

(21) Appl. No.: **29/705,517**

(22) Filed: **Sep. 12, 2019**

(51) **LOC (12) Cl.** **09-01**

(52) **U.S. Cl.**
USPC **D9/543**; D9/563; D9/571

(58) **Field of Classification Search**
USPC D9/434, 516, 523, 528, 530, 543, 563,
D9/571, 575, 682, 685, 715, 719
CPC B65D 1/00; B65D 1/02; B65D 1/0223;
B65D 1/023; B65D 1/40; B65D 23/00;
B65D 23/10; B65D 23/102; B65D 25/00;
B65D 25/28; B65D 25/2882; B65D
25/2888; B65D 25/2894; B65D 25/2897;
B65D 2501/00; B65D 2501/0009; B65D
2501/0081; B05B 11/0037

See application file for complete search history.

(56) **References Cited**

U.S. PATENT DOCUMENTS

D213,170 S	1/1969	Muller et al.	
D236,432 S	8/1975	O'Brien	
D247,872 S *	5/1978	McIlvain	D9/543
D254,709 S *	4/1980	McCredie	D9/543
D259,331 S *	5/1981	Saenz	D9/543
D264,560 S *	5/1982	Anderson	D9/543

D319,972 S	9/1991	Segati et al.	
D321,322 S *	11/1991	Fuchs	D9/523
D333,609 S	3/1993	Beaumont	
D402,561 S	12/1998	Utrup et al.	
D406,052 S	2/1999	Dumont et al.	
5,875,940 A	3/1999	Mayfield	
D427,078 S	6/2000	Schaaf et al.	
D432,021 S	10/2000	Caughey et al.	
D444,708 S	7/2001	Cummings	
D447,954 S	9/2001	Cummings	
D486,397 S	2/2004	Crawford et al.	
D487,401 S *	3/2004	Cotton	D9/523
D495,257 S	8/2004	Crawford et al.	
D545,197 S *	6/2007	Adamson	D9/516
D581,273 S *	11/2008	Adamson	D9/516
D581,805 S	12/2008	Suxdorf	
D594,339 S *	6/2009	Geeraert	D9/523
D632,586 S	2/2011	Bowers et al.	
D633,801 S *	3/2011	Adamson	D9/516
D656,832 S *	4/2012	Bowers	D9/526
D679,189 S *	4/2013	Miiller	D9/523
D679,190 S *	4/2013	Jacokes	D9/523

(Continued)

Primary Examiner — Dana Meyrow

(74) *Attorney, Agent, or Firm* — Bojuan Deng

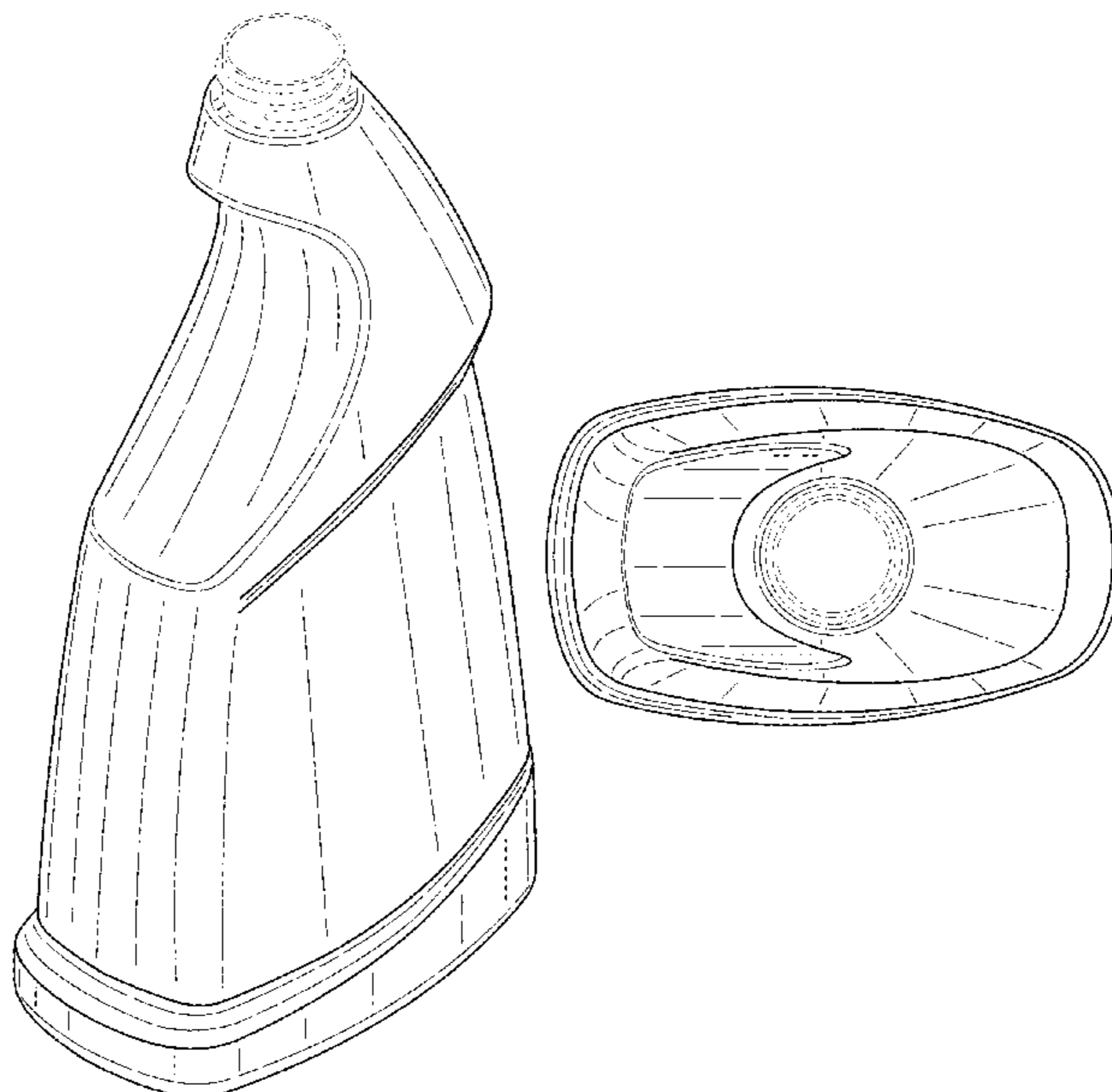
(57) **CLAIM**

The ornamental design for bottle, as shown and described.

DESCRIPTION

FIG. 1 is a front perspective view of a bottle embodying the new design;
FIG. 2 is a front side elevation view thereof;
FIG. 3 is a rear side elevation view thereof;
FIG. 4 is a right side elevation view thereof;
FIG. 5 is a left side elevation view thereof;
FIG. 6 is a top plan view thereof; and,
FIG. 7 is a bottom plan view thereof.
The broken lines shown in the drawings depict portions of the bottle that form no part of the claimed design.

1 Claim, 7 Drawing Sheets



(56)

References Cited

U.S. PATENT DOCUMENTS

D693,691 S * 11/2013 Nachtsheim D9/523
D741,188 S * 10/2015 Juna D9/542
D780,585 S * 3/2017 Nho D9/530
D792,779 S * 7/2017 Nguyen D9/520
2003/0080209 A1 5/2003 Dubreuil et al.
2008/0277430 A1 11/2008 Maas et al.

* cited by examiner

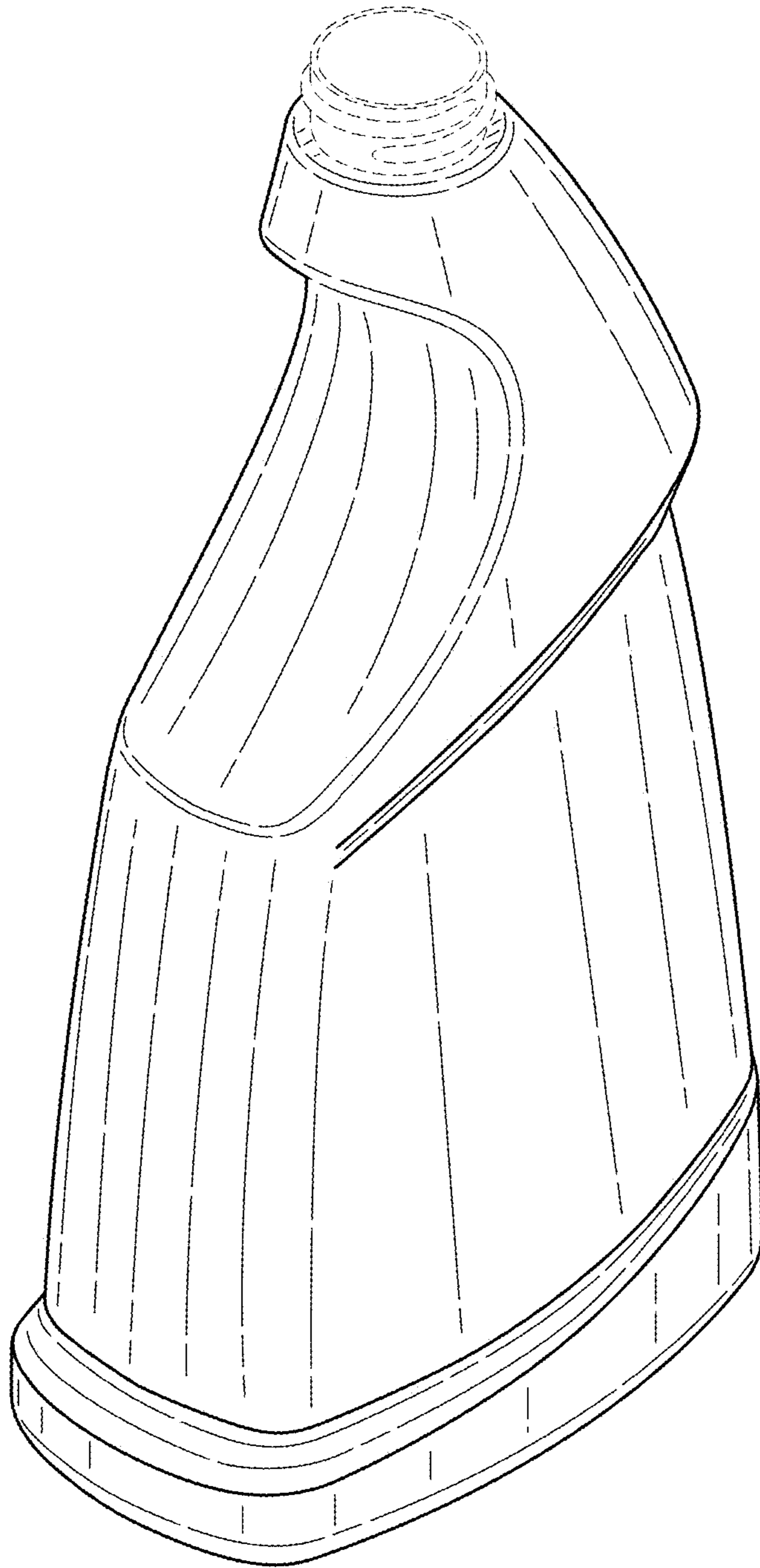


FIG. 1

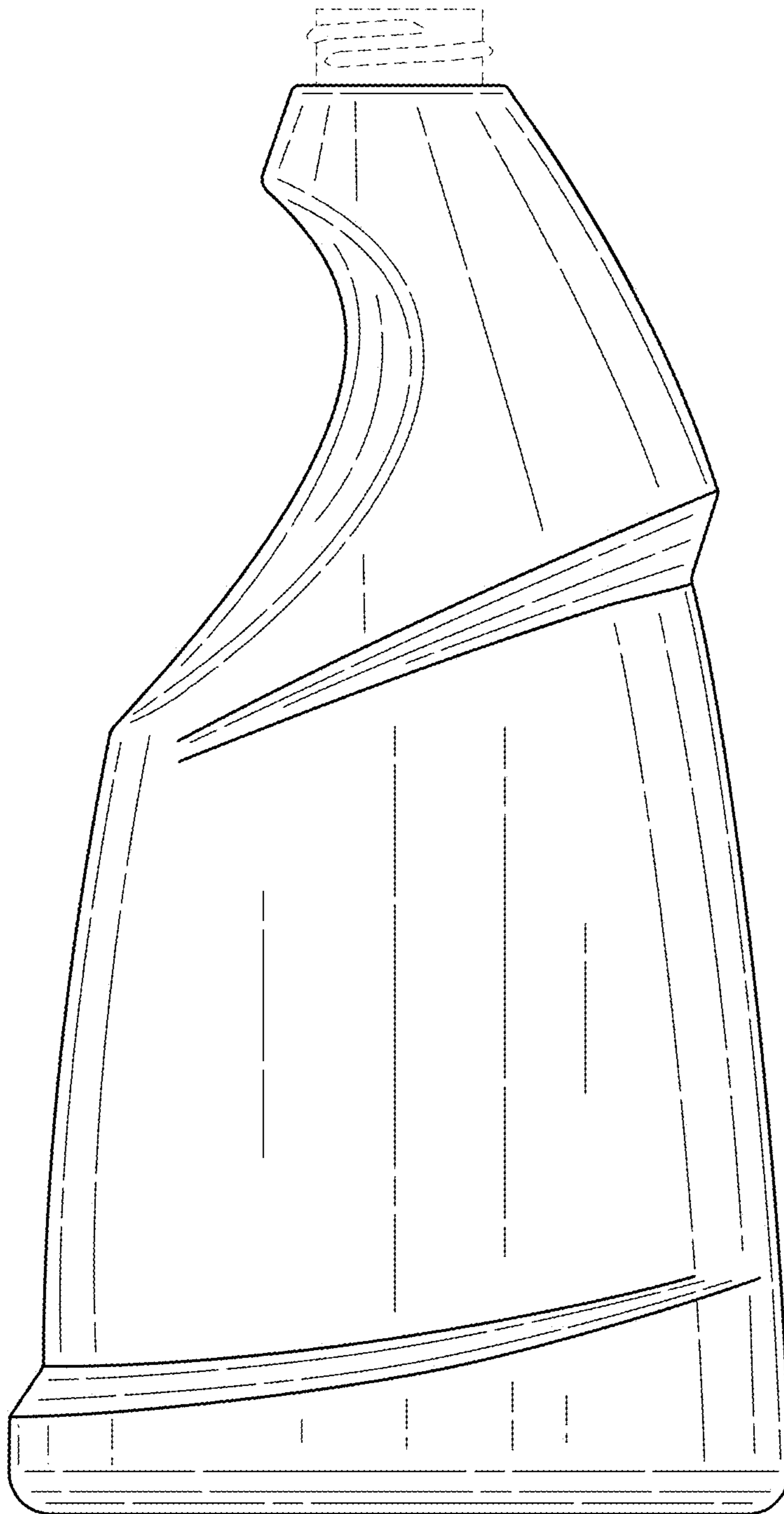


FIG. 2

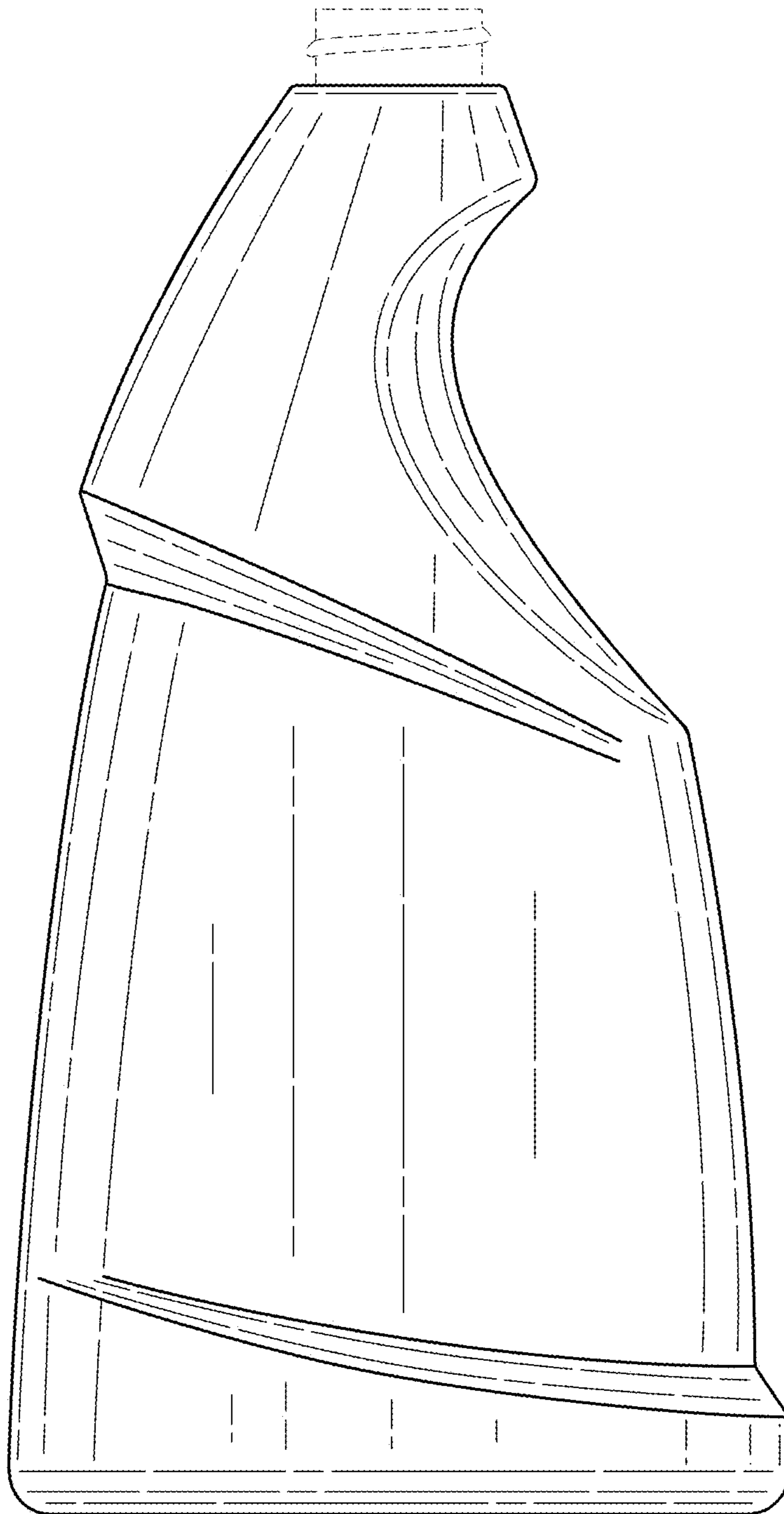


FIG.3

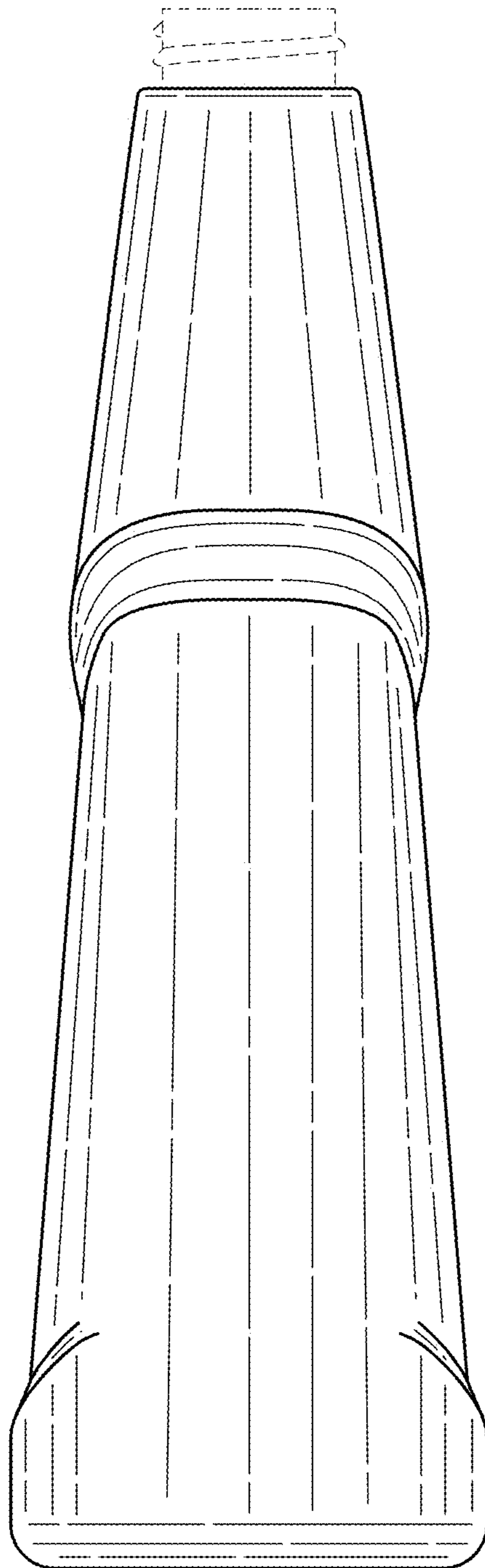


FIG.4

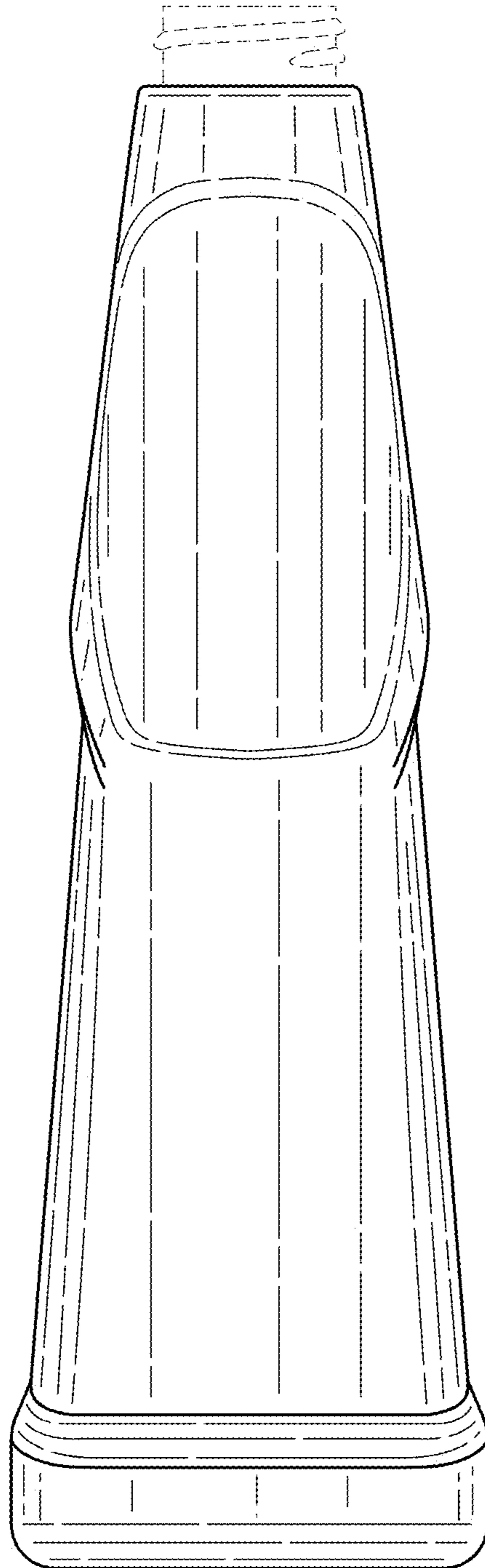


FIG.5

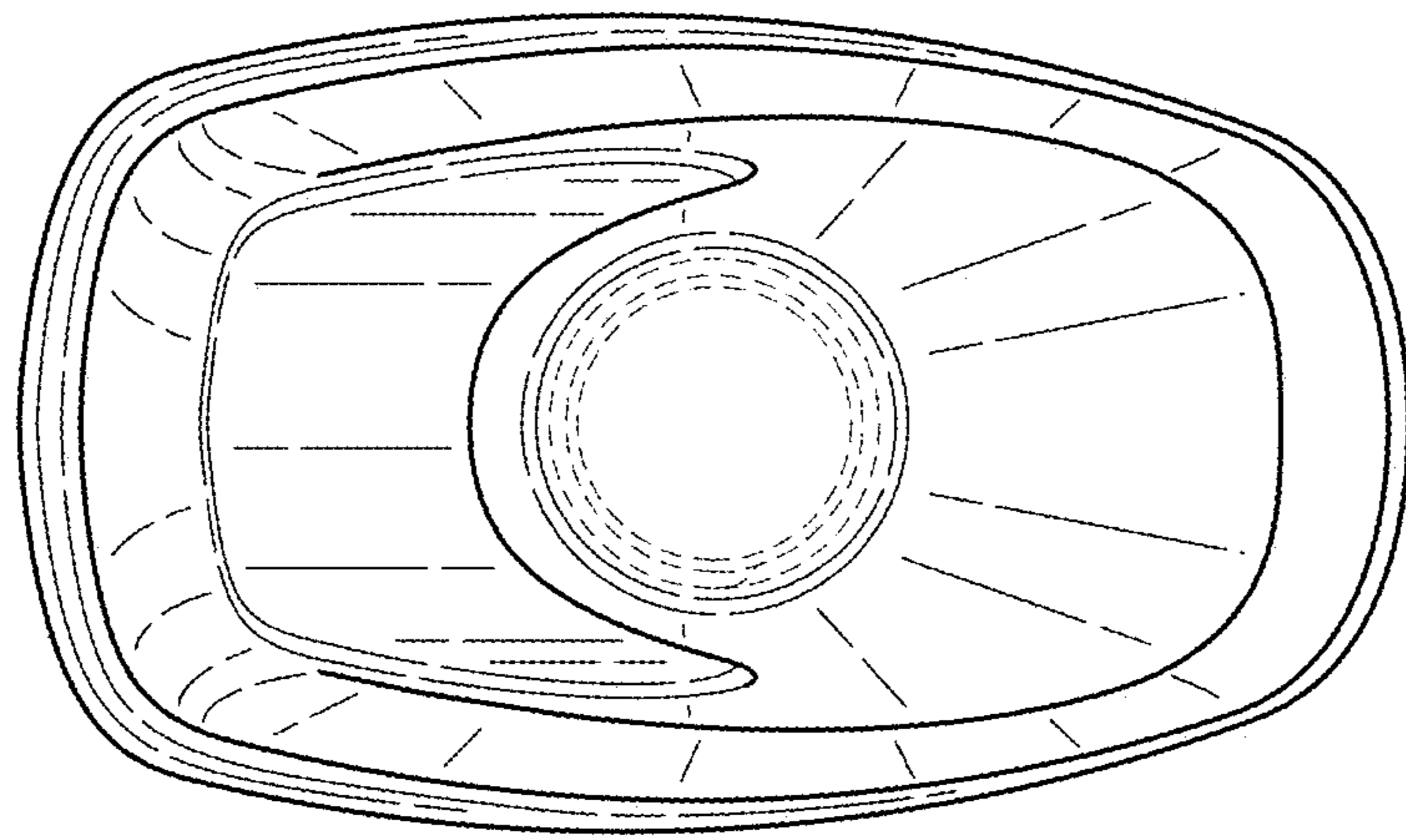


FIG.6

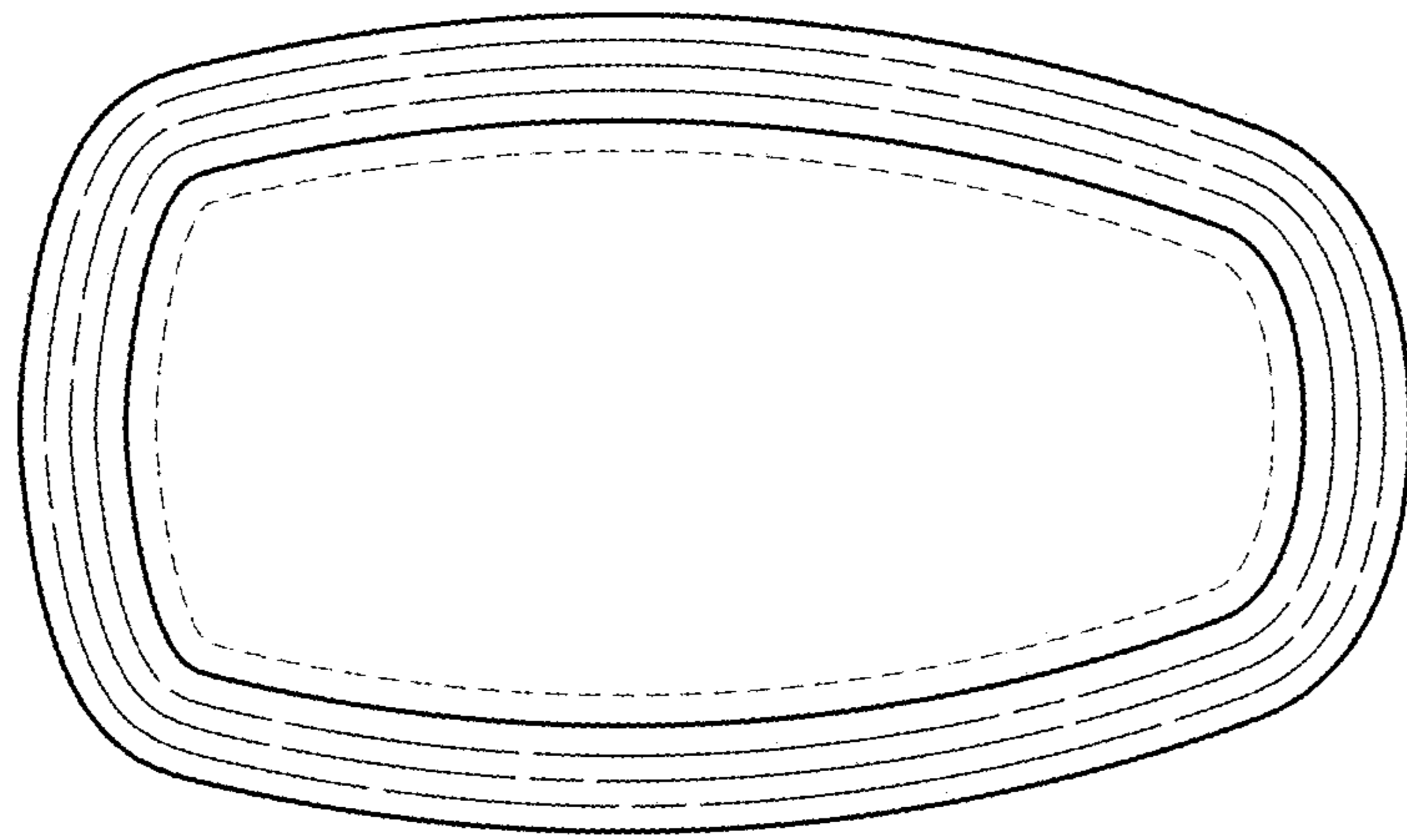


FIG.7